



US00D869638S

(12) **United States Design Patent**  
**Shinichi**

(10) **Patent No.:** **US D869,638 S**

(45) **Date of Patent:** **\*\* Dec. 10, 2019**

(54) **INHALER FOR POWDERED  
MEDICAMENTS**

(71) Applicant: **NiPPharma Co., Ltd.**, Tokyo (JP)

(72) Inventor: **Ono Shinichi**, Tokyo (JP)

(73) Assignee: **NIPPHARMA CO., LTD.**, Tokyo (JP)

(\*\*) Term: **15 Years**

(21) Appl. No.: **29/637,659**

(22) Filed: **Feb. 20, 2018**

(30) **Foreign Application Priority Data**

Aug. 24, 2017 (JP) ..... 2007-018150

(51) **LOC (12) Cl.** ..... **29-02**

(52) **U.S. Cl.**  
USPC ..... **D24/110**

(58) **Field of Classification Search**  
USPC ..... D24/108, 110, 110.5, 164, 112  
CPC ..... A61M 15/009; A61M 2202/064; A61M  
15/06; A61M 15/0065; A61M 15/0025;  
A61M 15/0026; A61M 15/00  
See application file for complete search history.

(56) **References Cited**

**U.S. PATENT DOCUMENTS**

- D613,848 S \* 4/2010 Harvey ..... D24/110
- D637,280 S \* 5/2011 Harvey ..... D24/110
- D637,281 S \* 5/2011 Harvey ..... D24/110
- D637,282 S \* 5/2011 Harvey ..... D24/110
- D693,458 S \* 11/2013 Wright ..... D24/110
- 8,667,961 B2 \* 3/2014 Thoemmes ..... A61M 15/0045  
128/203.15
- 8,763,608 B2 \* 7/2014 Meliniotis ..... A61M 15/0045  
128/203.21

- 2006/0196504 A1 \* 9/2006 Augustyn ..... A61M 15/0045  
128/203.15
- 2008/0196718 A1 \* 8/2008 Connell ..... A61M 15/0045  
128/203.15
- 2008/0308102 A1 \* 12/2008 Davies ..... A61M 15/0045  
128/203.15
- 2010/0059052 A1 \* 3/2010 Davies ..... A61J 1/035  
128/203.15

\* cited by examiner

*Primary Examiner* — Lilyana Bekic

(74) *Attorney, Agent, or Firm* — Pyprus Pte Ltd

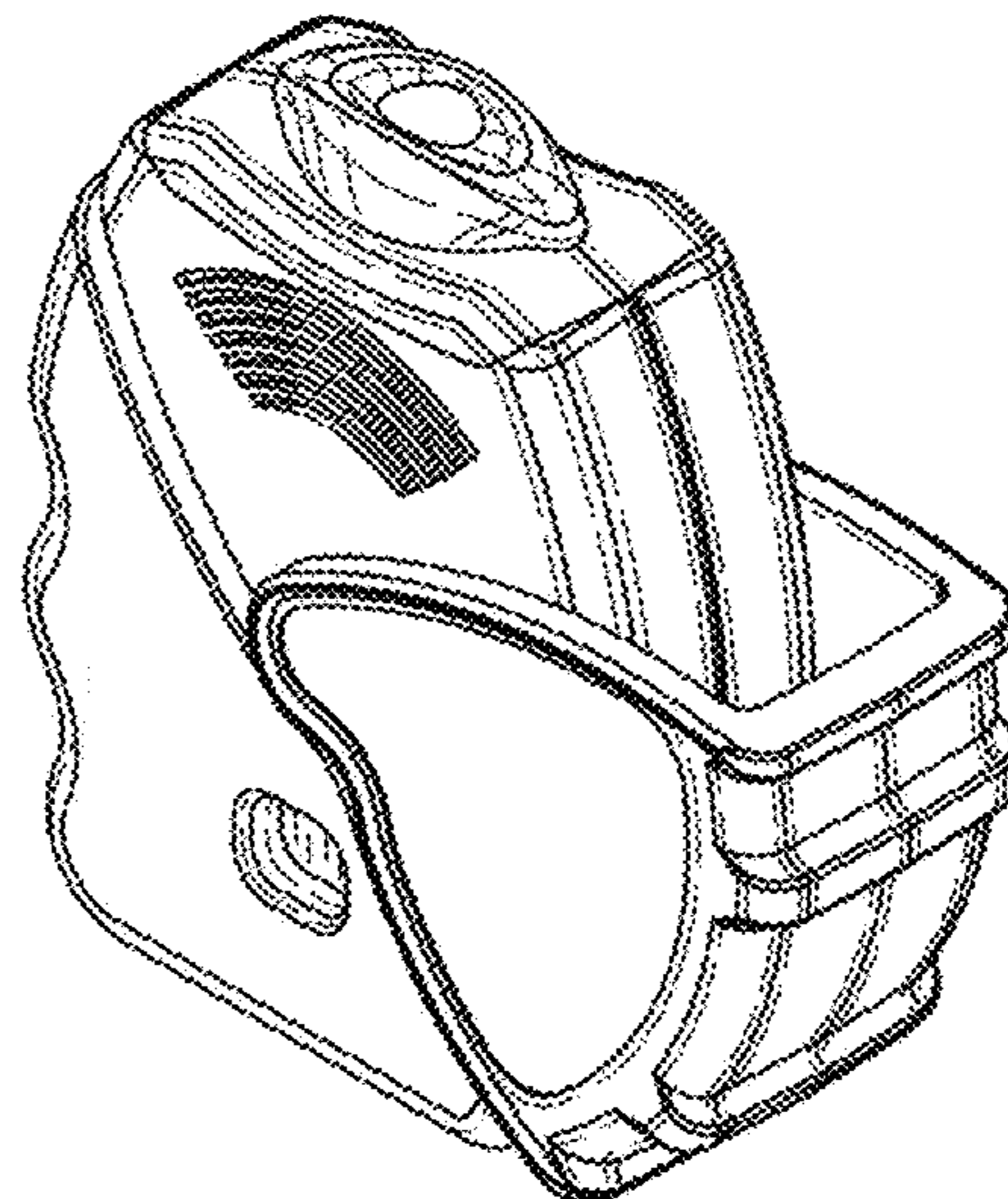
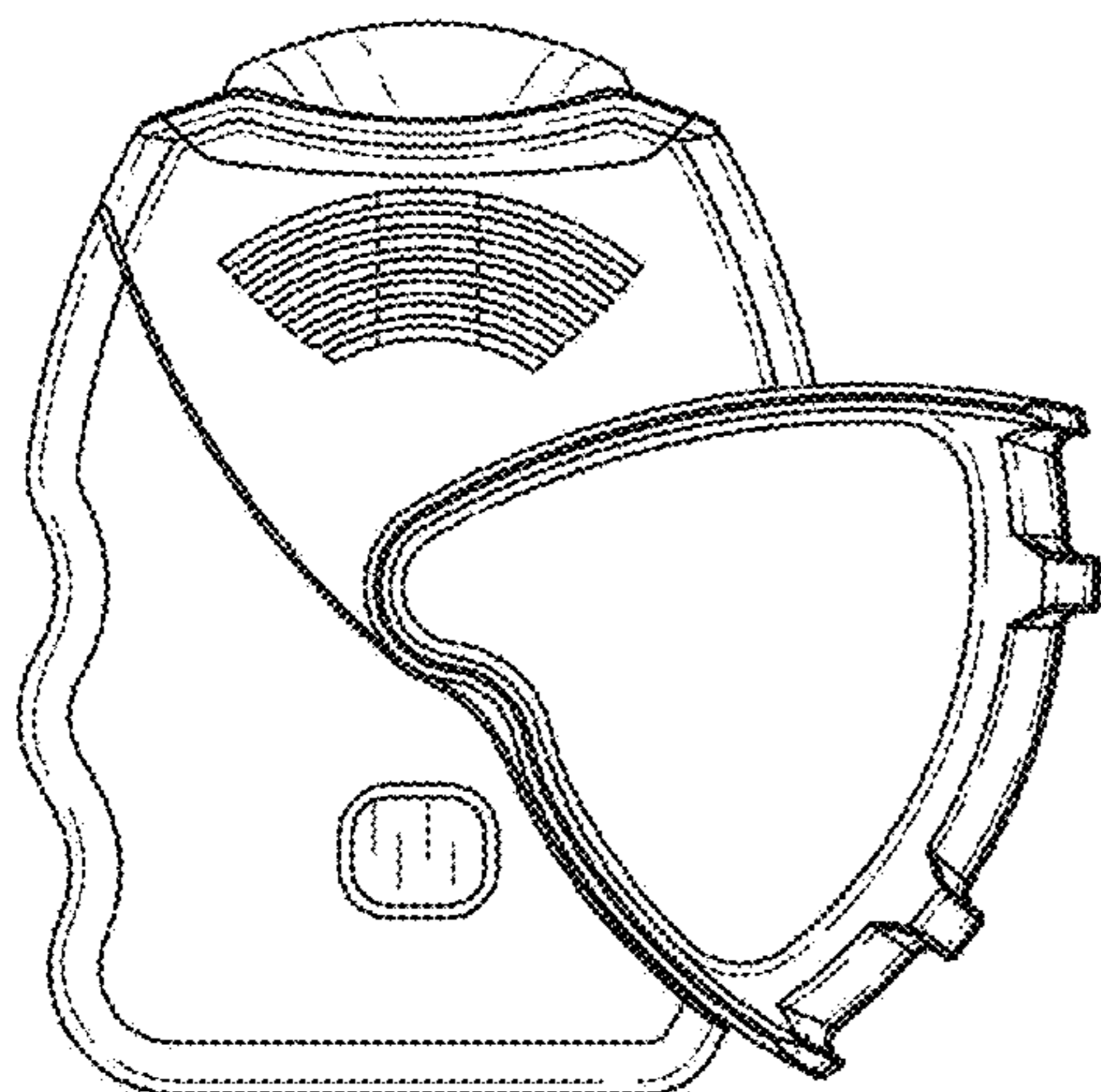
(57) **CLAIM**

The ornamental design for an inhaler for powdered medicaments, as shown and described.

**DESCRIPTION**

FIG. 1 is a front elevation view of the inhaler for powdered medicaments of my new design, in an opened state;  
 FIG. 2 is a rear elevation view thereof;  
 FIG. 3 is a left side elevation view thereof;  
 FIG. 4 is a right side elevation view thereof;  
 FIG. 5 is a top plan view thereof;  
 FIG. 6 is a bottom plan view thereof;  
 FIG. 7 is a front perspective view thereof;  
 FIG. 8 is a front elevation view of the inhaler for powdered medicaments, in a closed state;  
 FIG. 9 is a rear elevation view thereof;  
 FIG. 10 is a left side elevation view thereof;  
 FIG. 11 is a right side elevation view thereof;  
 FIG. 12 is a top plan view thereof;  
 FIG. 13 is a bottom plan view thereof; and,  
 FIG. 14 is a front perspective view thereof.

**1 Claim, 14 Drawing Sheets**



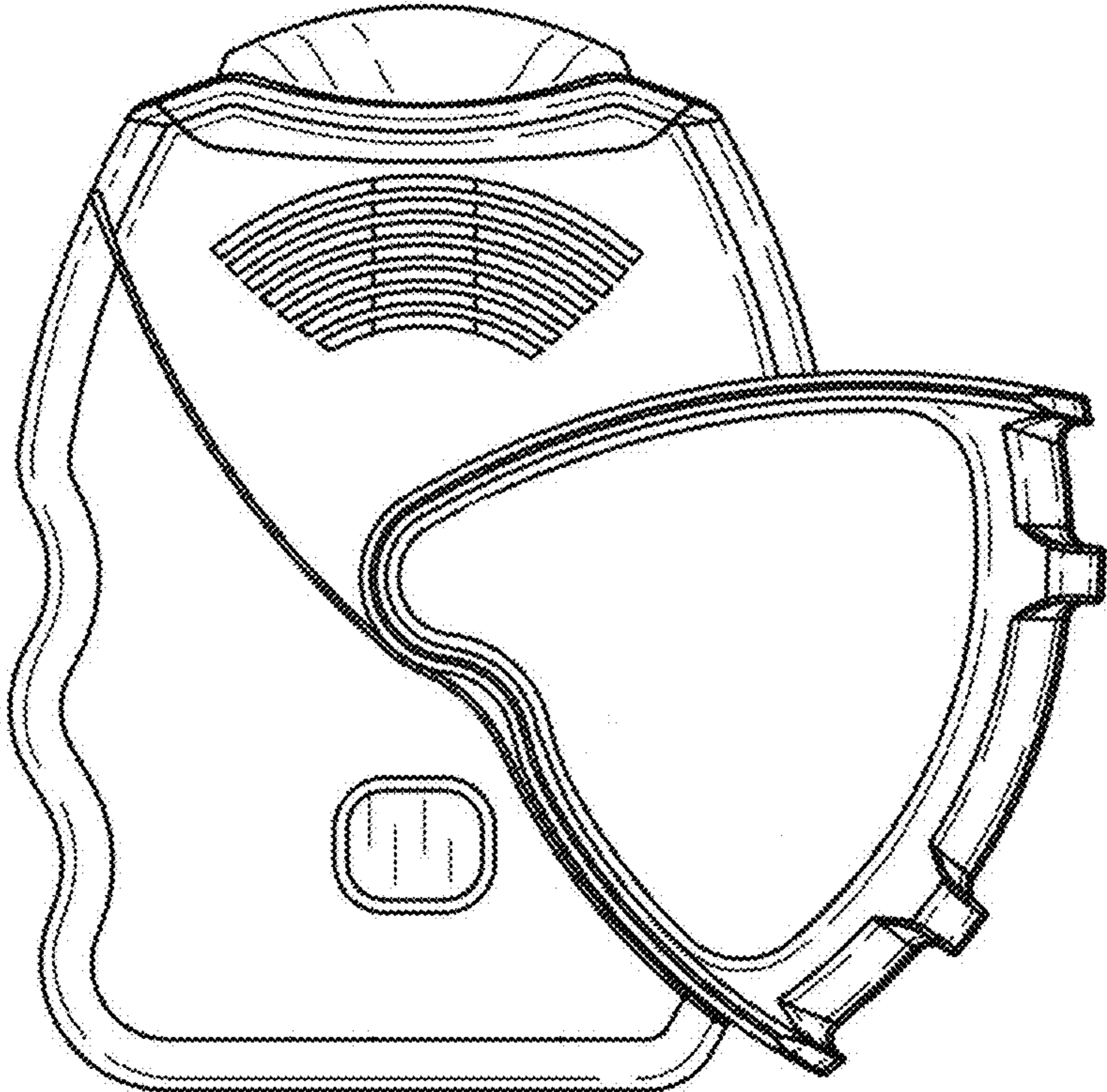


FIG. 1

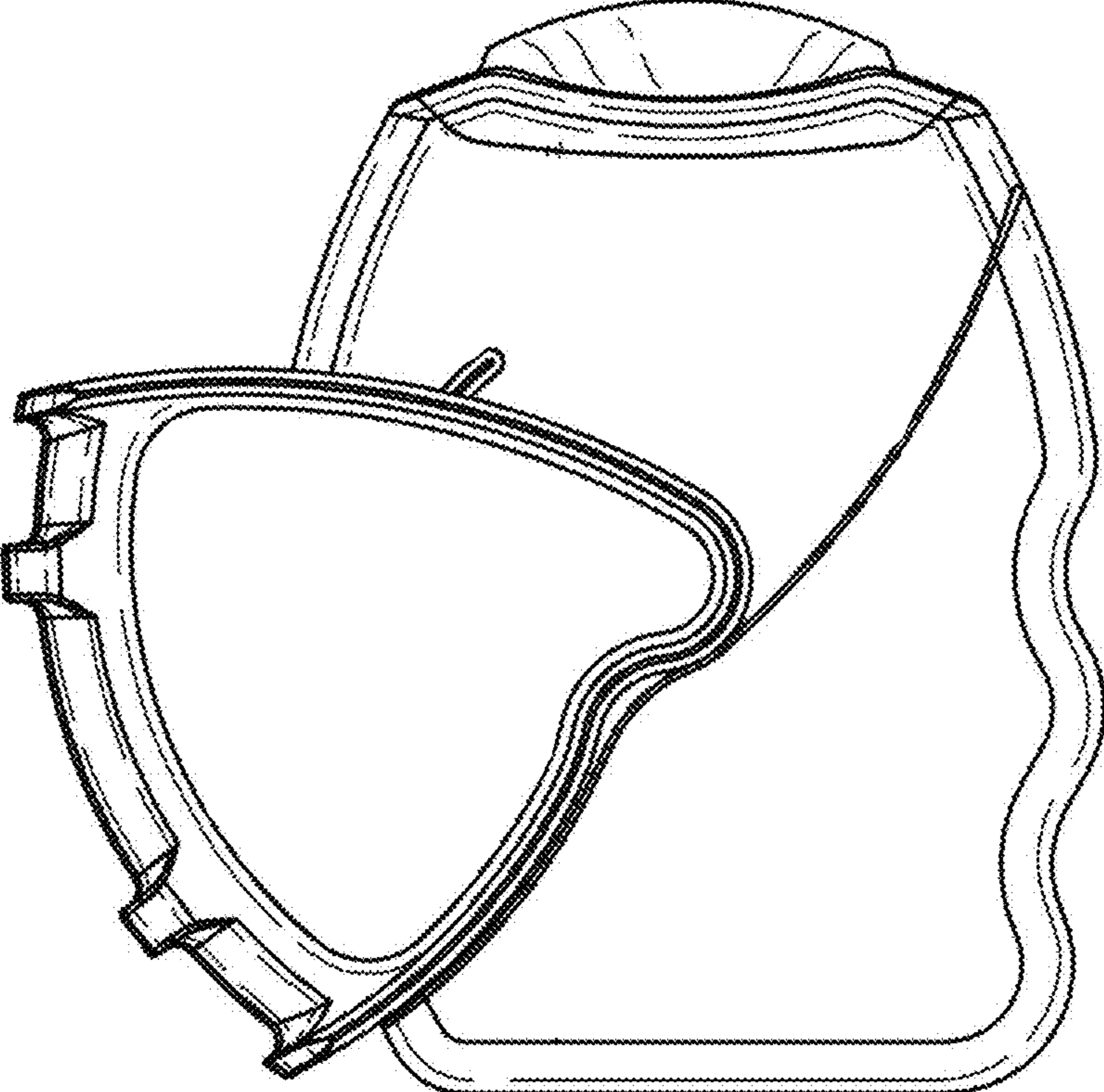


FIG. 2

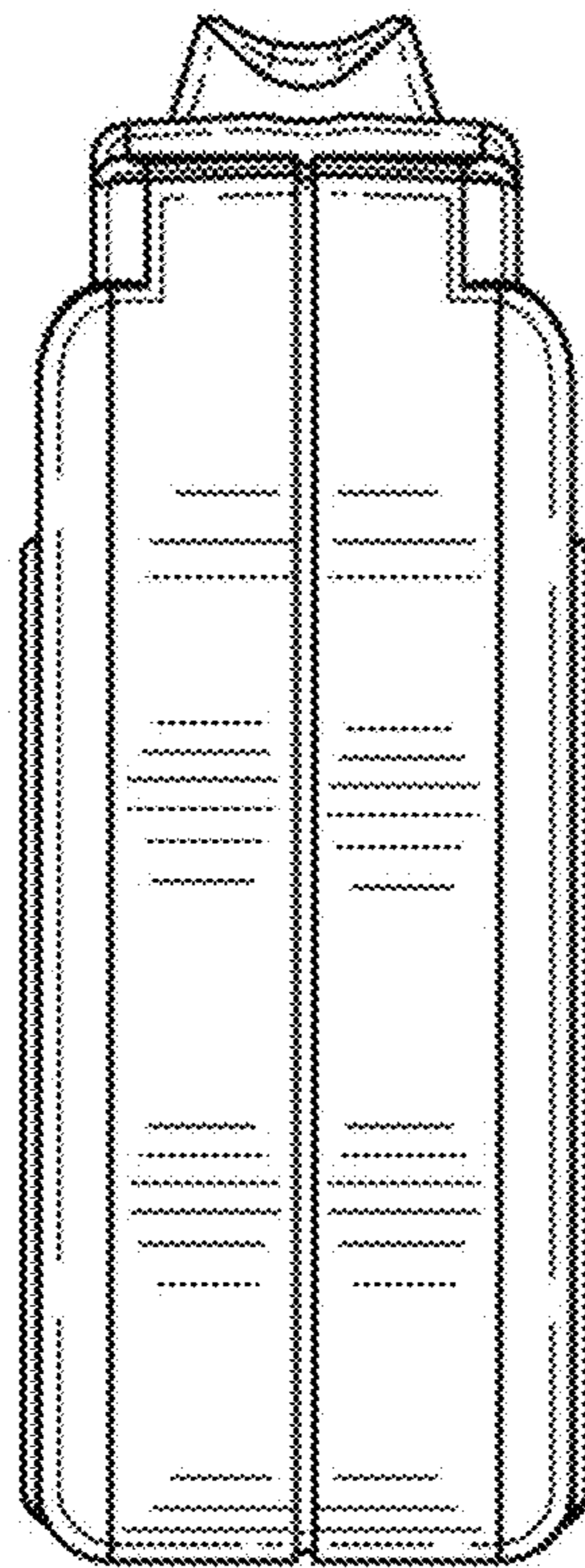


FIG. 3

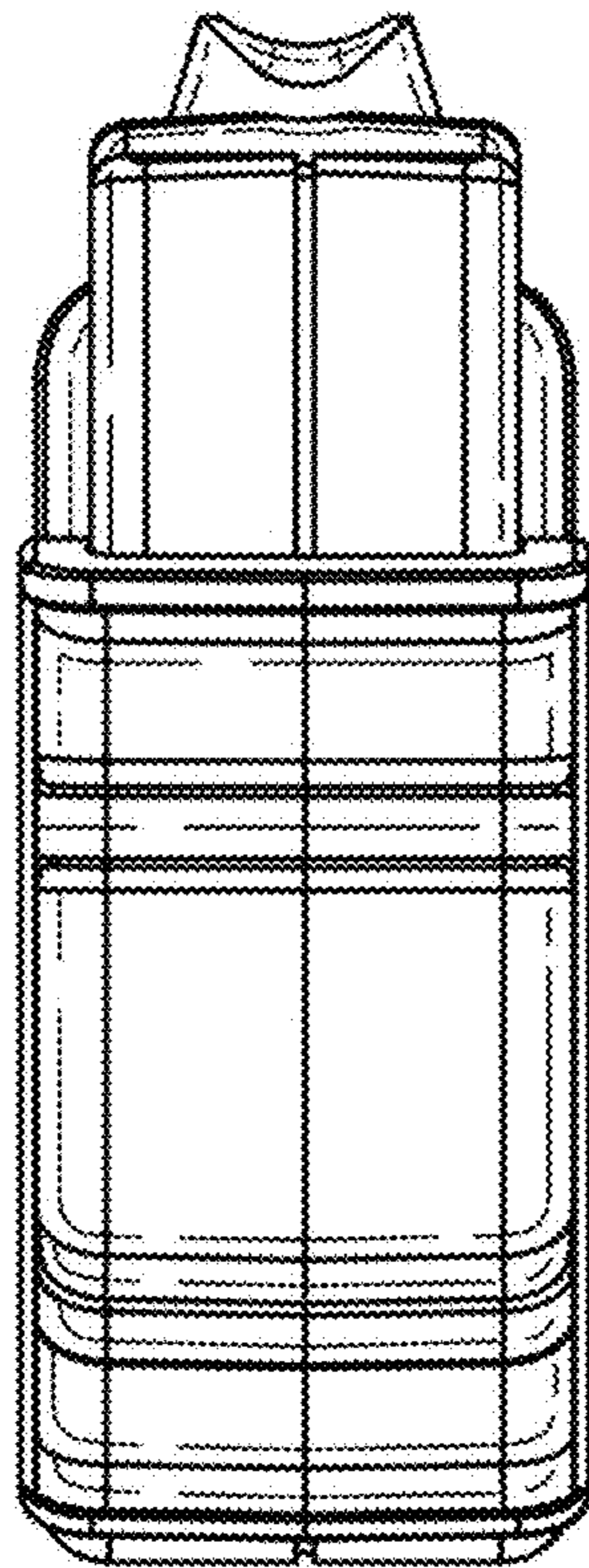


FIG. 4

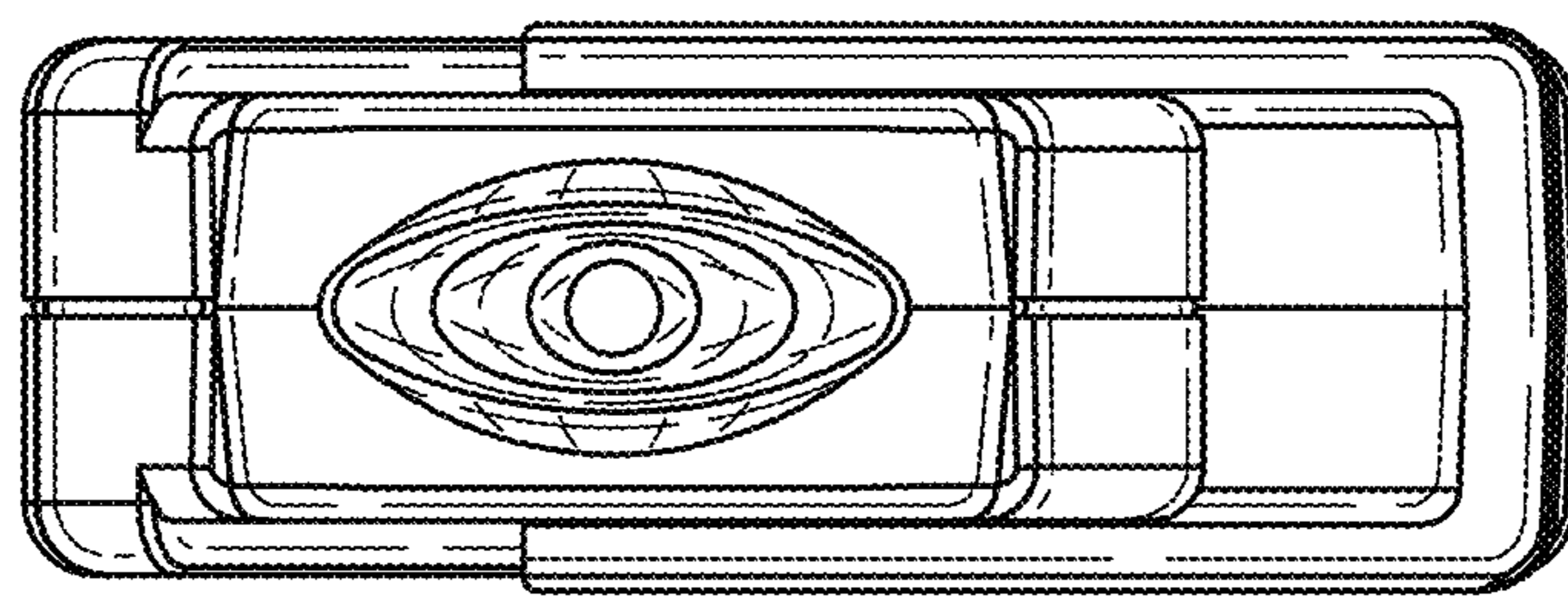


FIG. 5

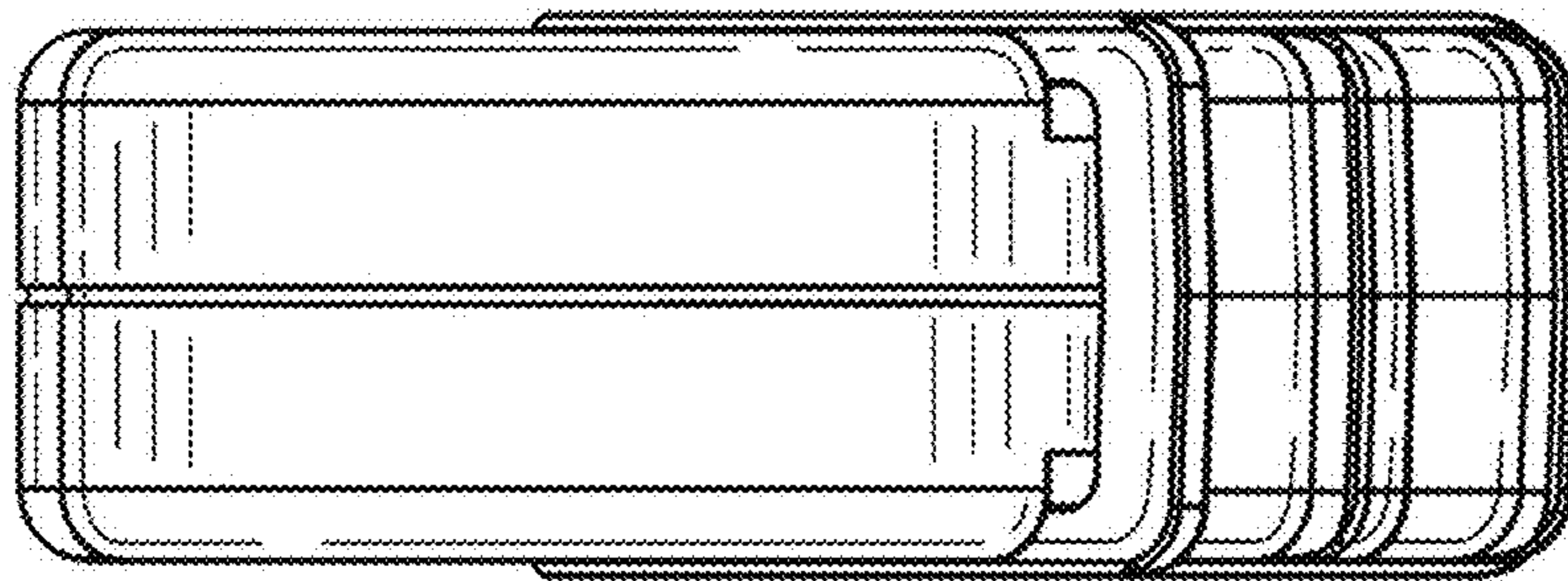


FIG. 6

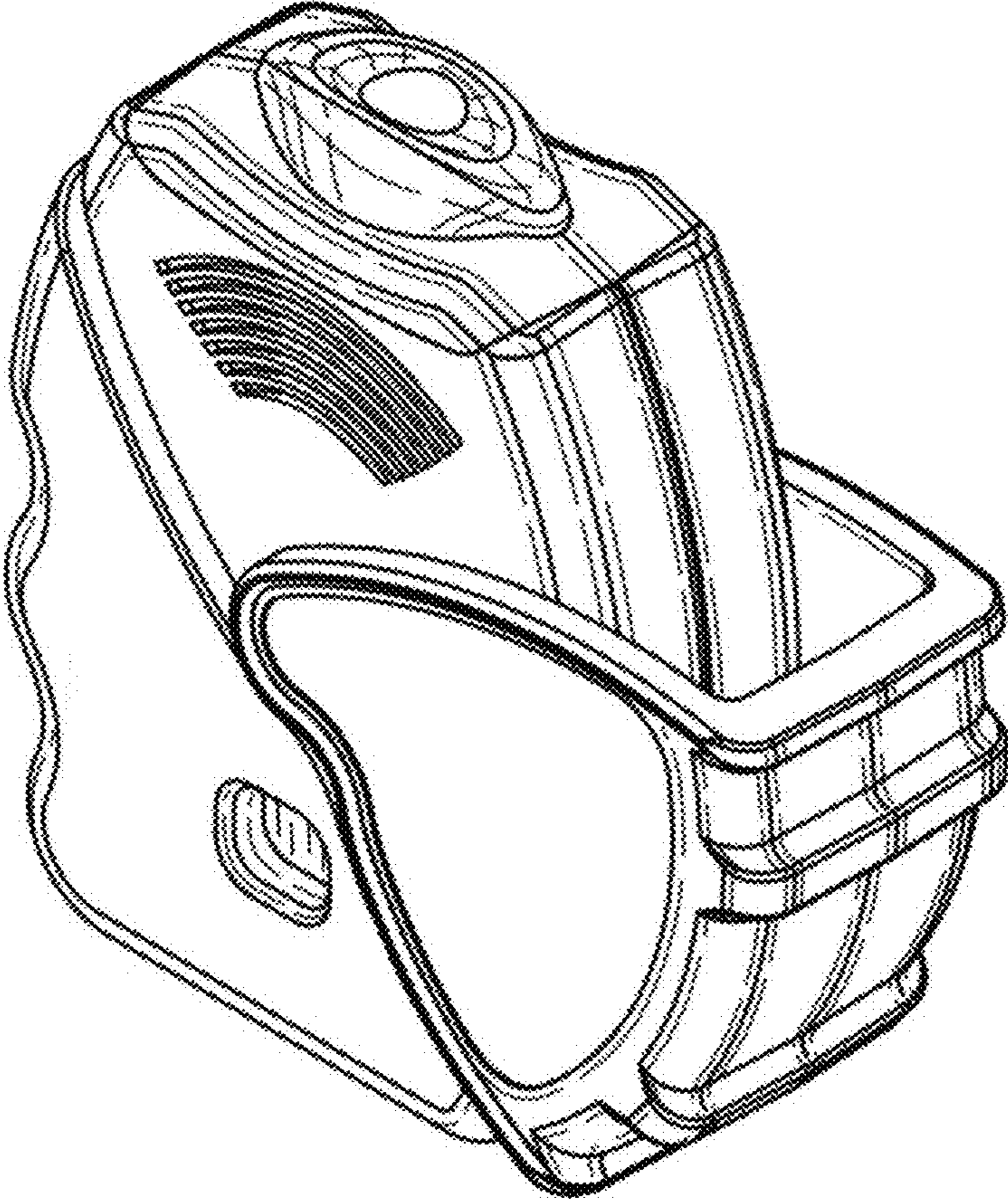


FIG. 7



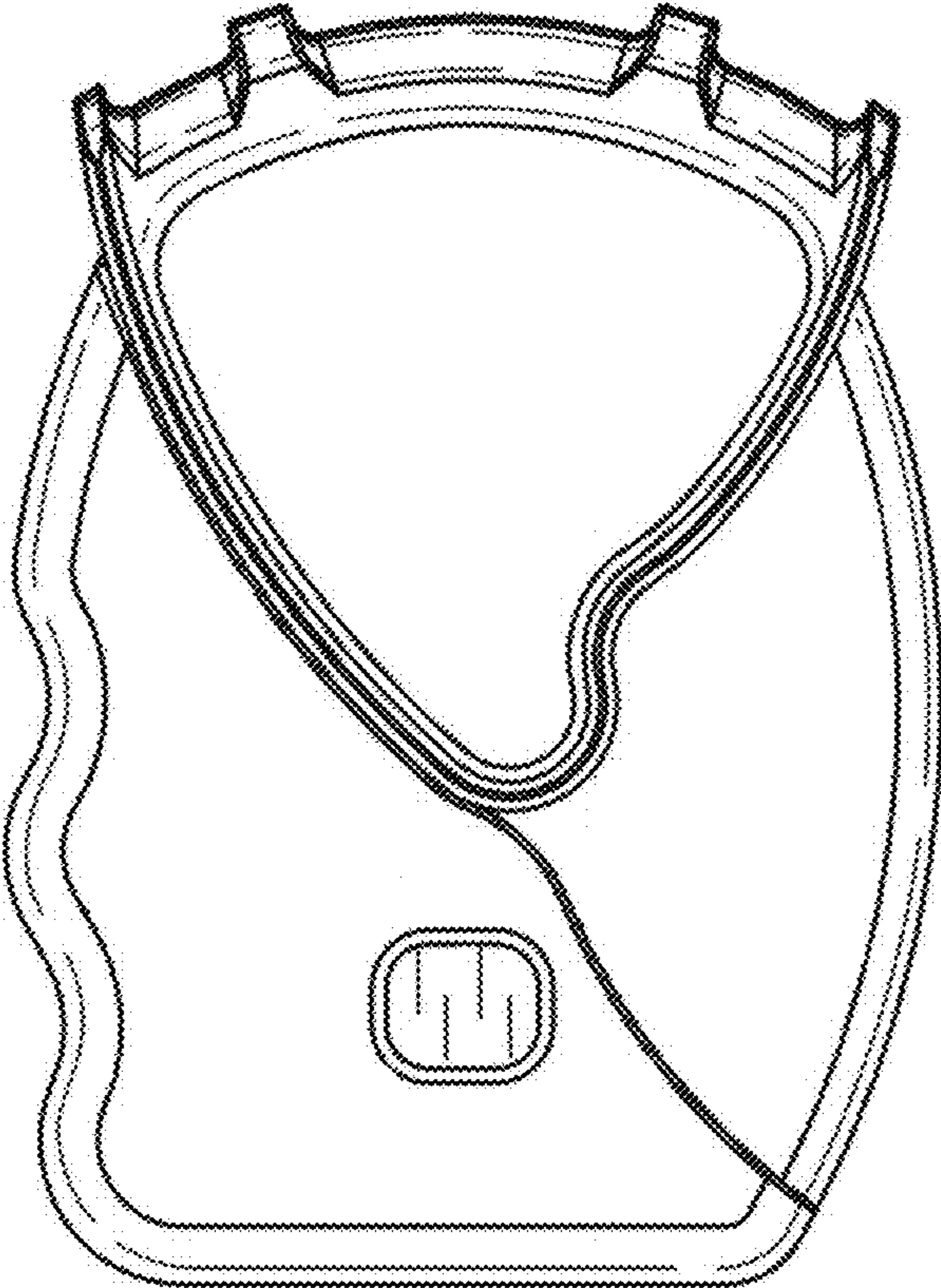


FIG. 8

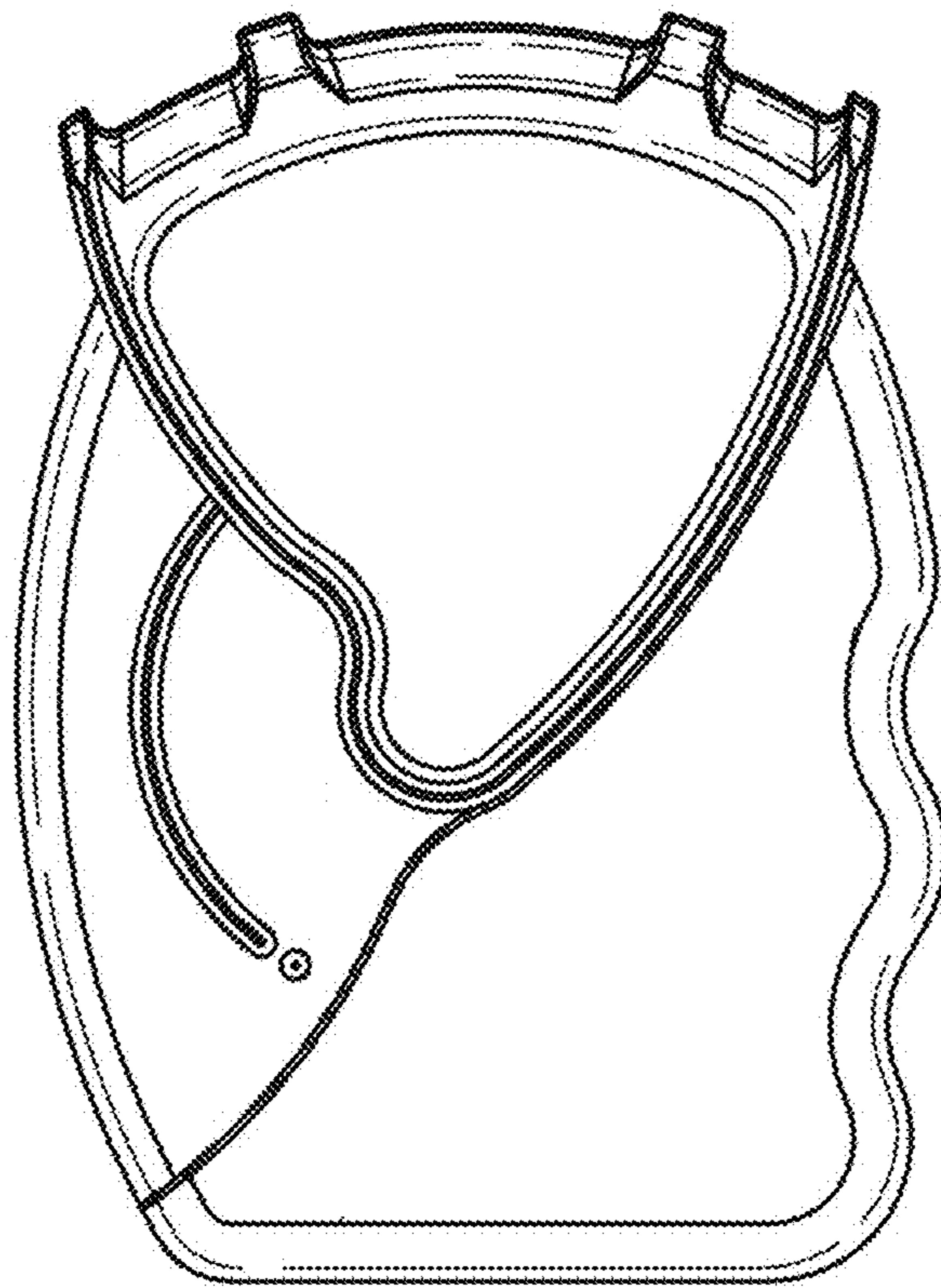


FIG. 9

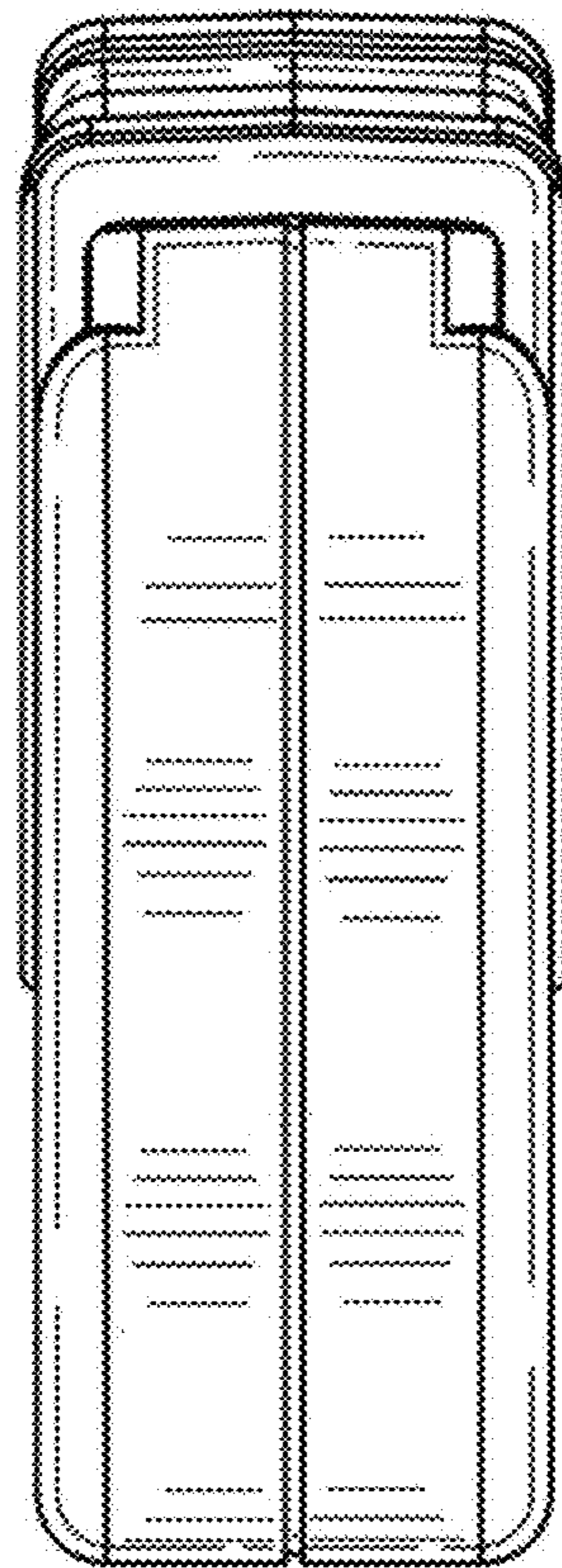


FIG. 10

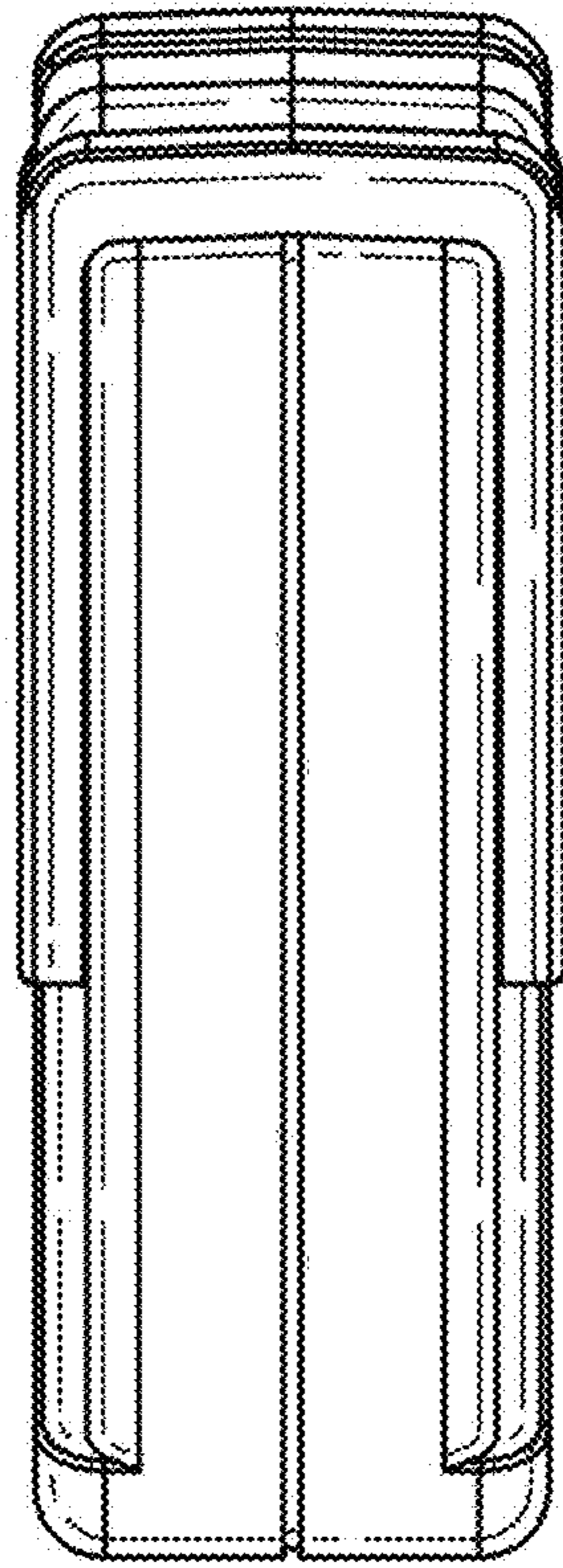


FIG. 11

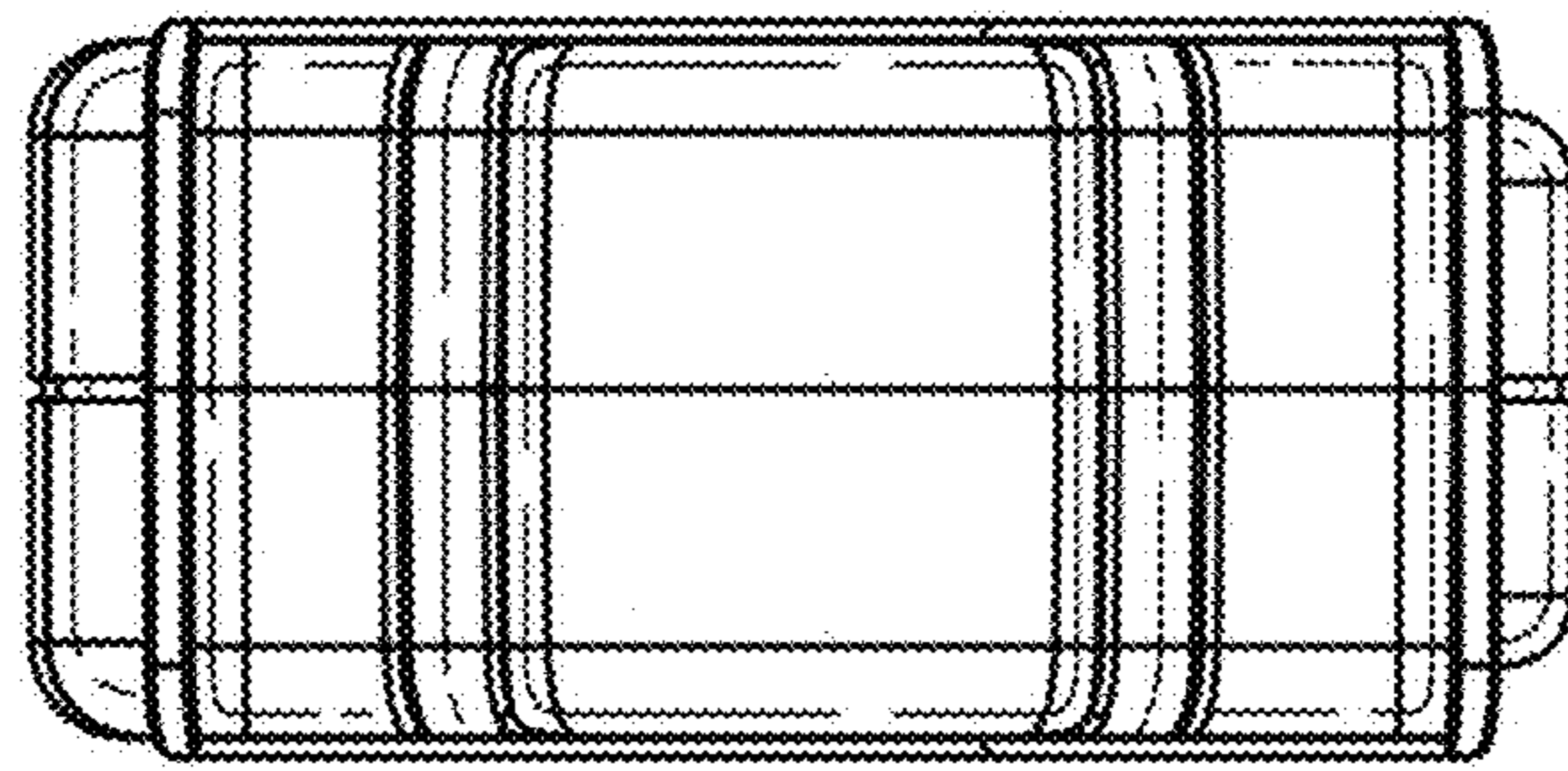


FIG. 12

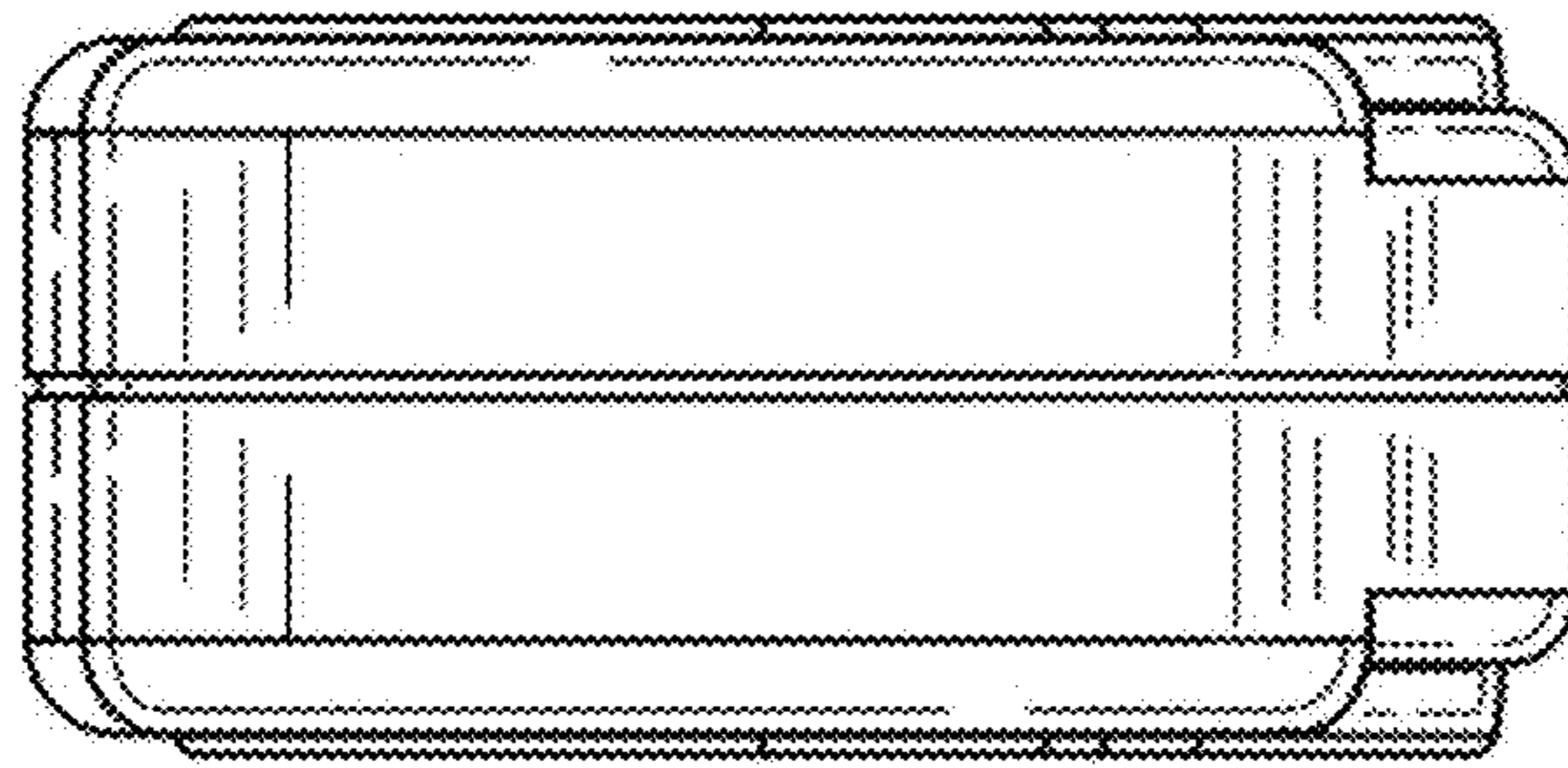


FIG. 13

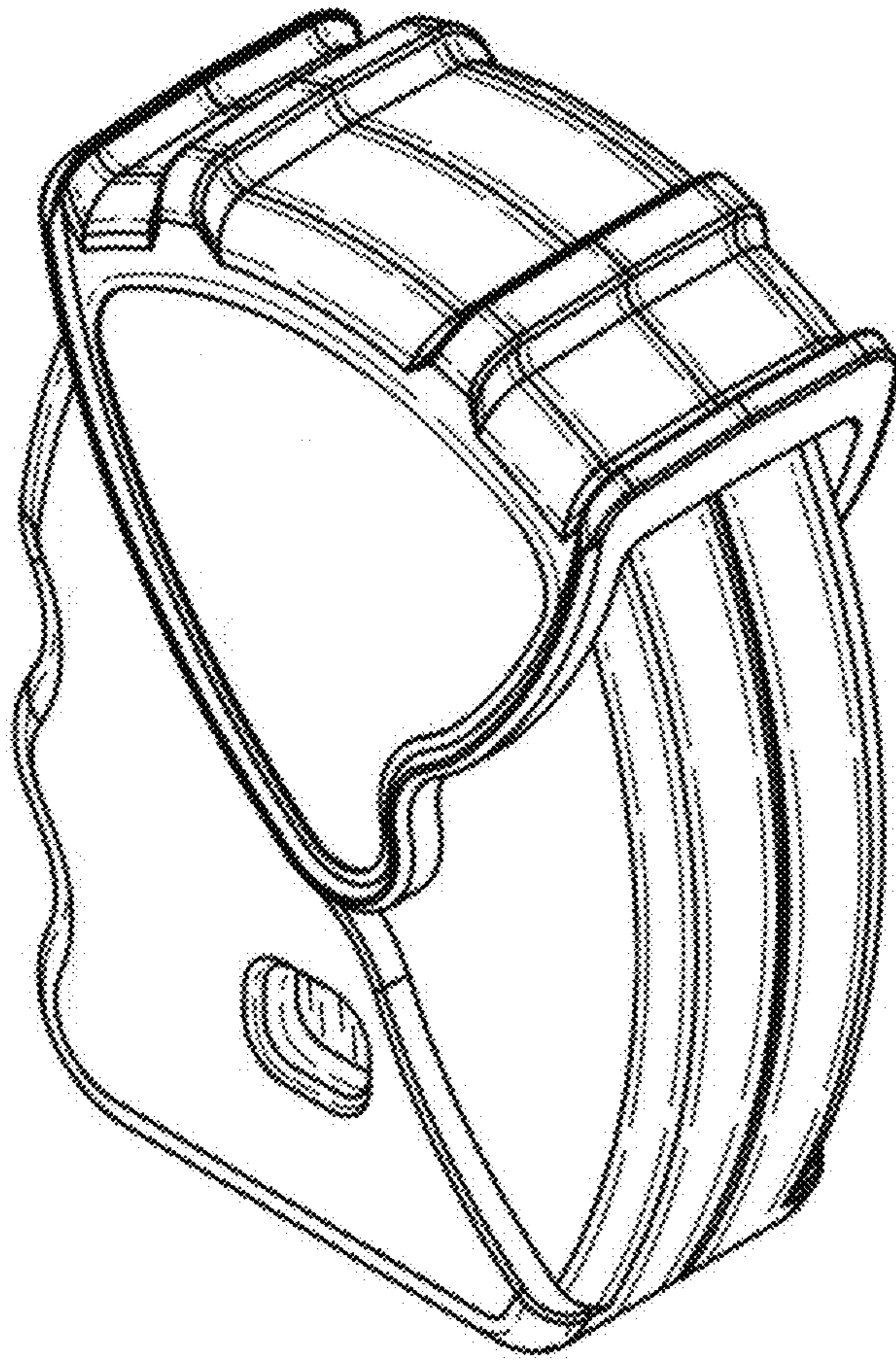


FIG. 14

UNITED STATES PATENT AND TRADEMARK OFFICE  
**CERTIFICATE OF CORRECTION**

PATENT NO. : D869,638 S  
APPLICATION NO. : 29/637659  
DATED : December 10, 2019  
INVENTOR(S) : Ono Shinichi

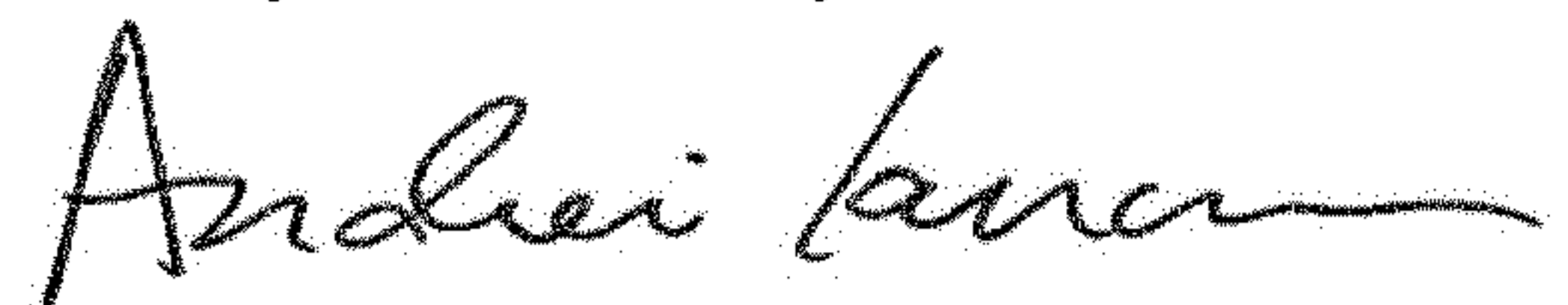
Page 1 of 1

It is certified that error appears in the above-identified patent and that said Letters Patent is hereby corrected as shown below:

On the Title Page

Item (30) Foreign Application Priority Data, delete “2007-018150” and replace with “2017-018150”

Signed and Sealed this  
Twenty-fourth Day of March, 2020



Andrei Iancu  
*Director of the United States Patent and Trademark Office*