

US00D869633S

(12) **United States Design Patent** (10) **Patent No.:** **US D869,633 S**  
**He et al.** (45) **Date of Patent:** **\*\* Dec. 10, 2019**

(54) **BLOWER**

(71) Applicants: **Xiangming He**, Jiangmen (CN);  
**Guanglian Lin**, Jiangmen (CN)

(72) Inventors: **Xiangming He**, Jiangmen (CN);  
**Guanglian Lin**, Jiangmen (CN)

(\*\*) Term: **15 Years**

(21) Appl. No.: **29/658,070**

(22) Filed: **Jul. 27, 2018**

(51) **LOC (12) Cl.** ..... **23-04**

(52) **U.S. Cl.**  
USPC ..... **D23/383**

(58) **Field of Classification Search**  
USPC ..... D23/332-337, 370-385; D32/15-18  
CPC ..... A01G 20/47; A01G 20/43; F04D 19/002;  
F04D 25/0673; F04D 25/08; F04D  
29/325

See application file for complete search history.

(56) **References Cited**

**U.S. PATENT DOCUMENTS**

D152,778 S	2/1949	Fox	
5,174,048 A *	12/1992	Shero	F26B 21/001 34/444
D340,326 S *	10/1993	Genovese	D32/15
5,265,895 A *	11/1993	Barrett	A47L 5/22 280/47.24
D482,772 S	11/2003	Dooley	
D512,500 S	12/2005	Wilson, Jr.	
D517,677 S *	3/2006	Bartholmey	D23/383
D530,002 S *	10/2006	Ching	D23/317
D566,823 S	4/2008	Lewis	
D596,283 S *	7/2009	Martinez	D23/383
D687,137 S	7/2013	Nemes	
D698,433 S *	1/2014	Tomasiak	D23/383
D704,908 S *	5/2014	Cui	D23/383
D836,766 S	12/2018	He et al.	

D837,360 S	1/2019	Cui	
D849,924 S *	5/2019	Sanders	D23/383
2004/0047743 A1	3/2004	Dooley et al.	
2006/0049615 A1 *	3/2006	Day	F04D 25/08 280/655.1
2016/0175472 A1 *	6/2016	Tan	A61L 9/122
2019/0128281 A1 *	5/2019	He	F04D 29/462

**OTHER PUBLICATIONS**

B-Air VP-25 ¼ HP 900 CFM Air Mover for Water Damage Restoration Equipment Carpet Dryer Floor Blower Fan Home and Plumbing Use, date first available Mar. 25, 2016, site visited Jun. 29, 2019, <[https://www.amazon.com/dp/B01DFW2BQA/ref=psdc\\_3304320011\\_t1\\_B011RLICSM](https://www.amazon.com/dp/B01DFW2BQA/ref=psdc_3304320011_t1_B011RLICSM)>.\*  
Stanley 655704 High Velocity Blower Fan, date posted unknown, site visited Jun. 29, 2019, Available from Internet.

\* cited by examiner

*Primary Examiner* — Cathron C Brooks

*Assistant Examiner* — Sharon S Oum

(74) *Attorney, Agent, or Firm* — Innovation Capital Law Group, LLP; Vic Lin

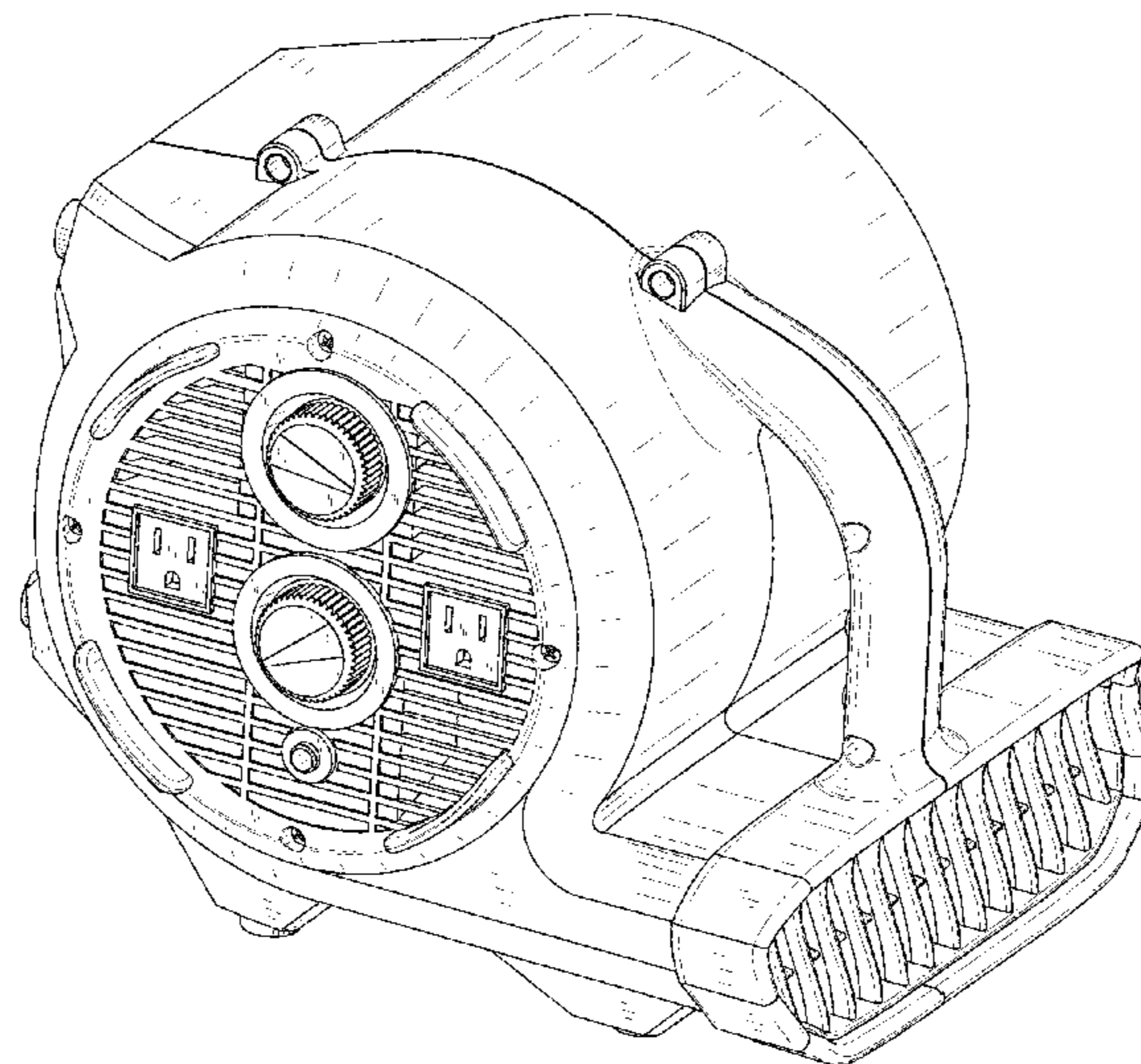
(57) **CLAIM**

The ornamental design for a blower, as shown and described.

**DESCRIPTION**

FIG. 1 is a front elevation view of a blower;  
FIG. 2 is a rear elevation view thereof;  
FIG. 3 is a right elevation view thereof;  
FIG. 4 is a left elevation view of thereof;  
FIG. 5 is a top plan view of the thereof;  
FIG. 6 is a bottom plan view of the thereof; and,  
FIG. 7 is a perspective view of the thereof.  
The broken lines illustrate portions of the blower and form no part of the claimed design.

**1 Claim, 7 Drawing Sheets**



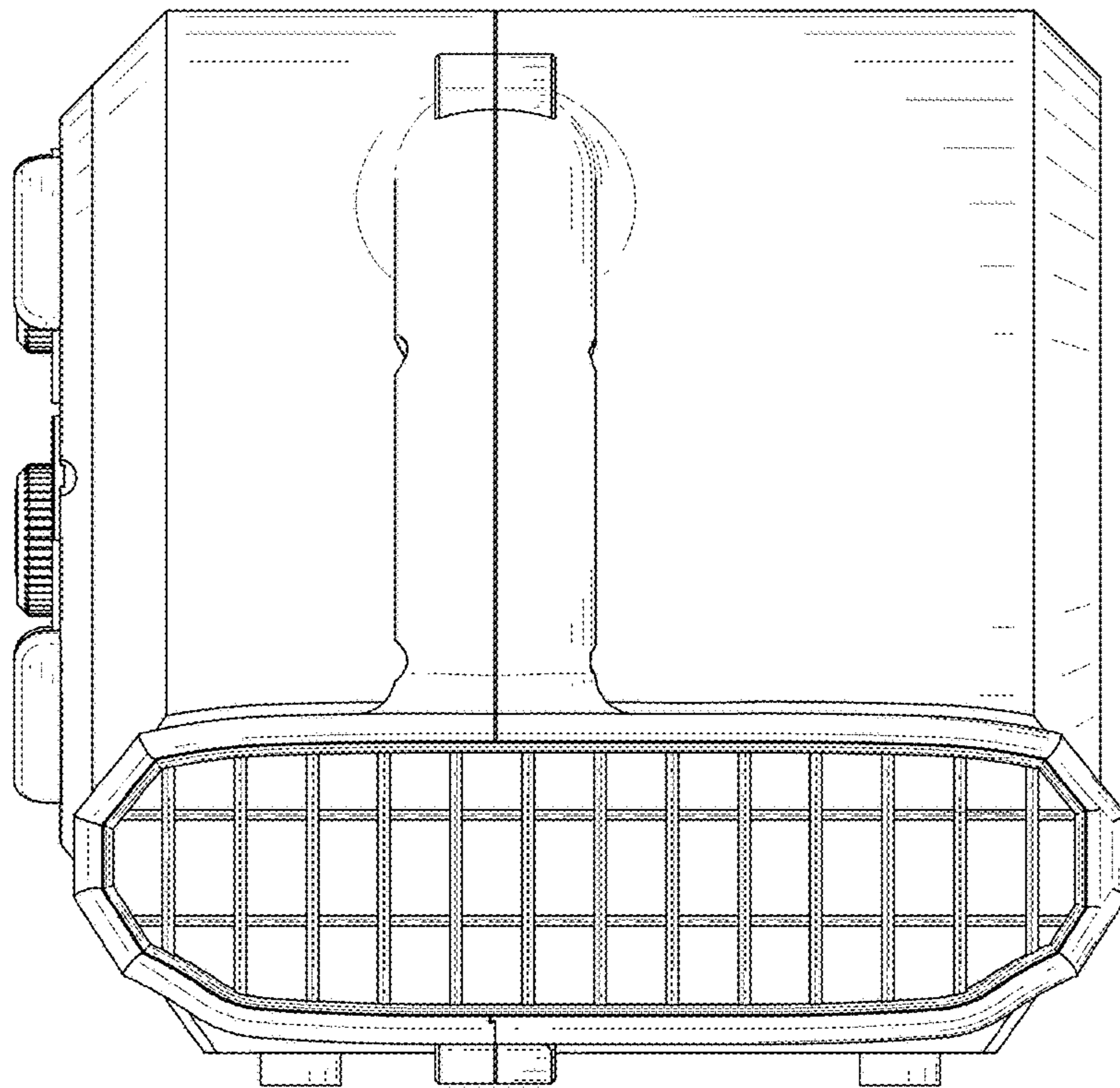


FIG. 1

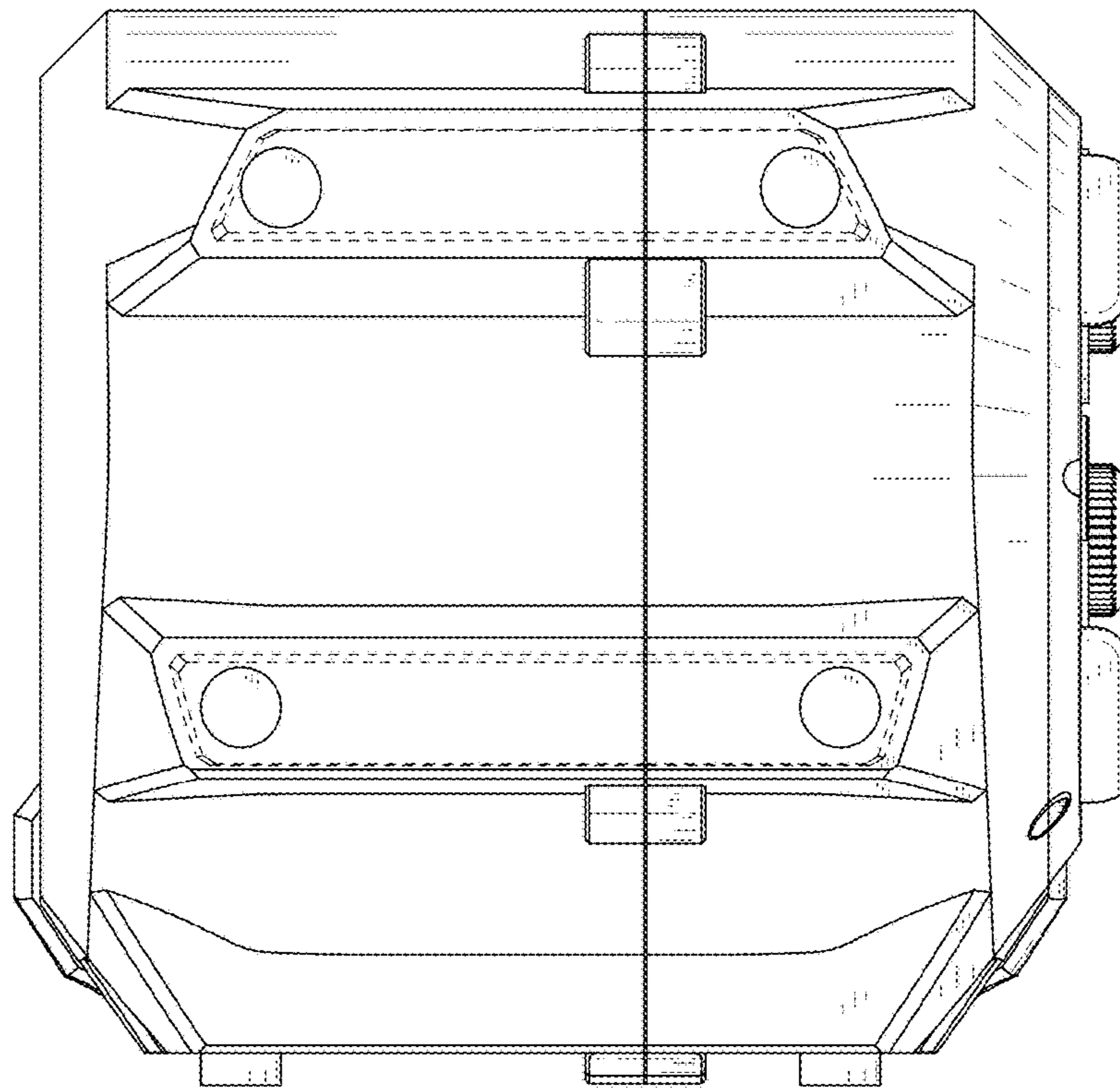


FIG. 2

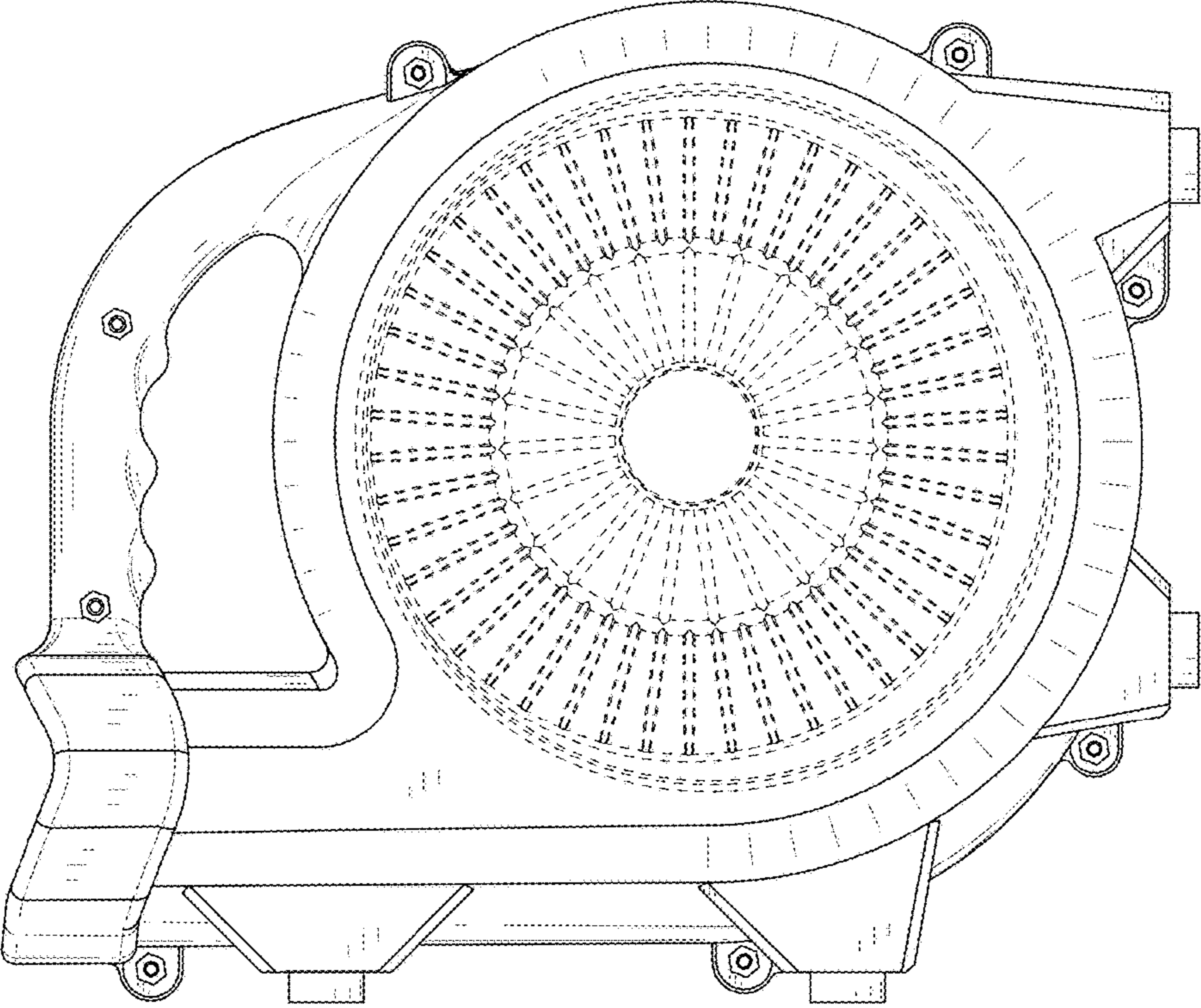


FIG. 3

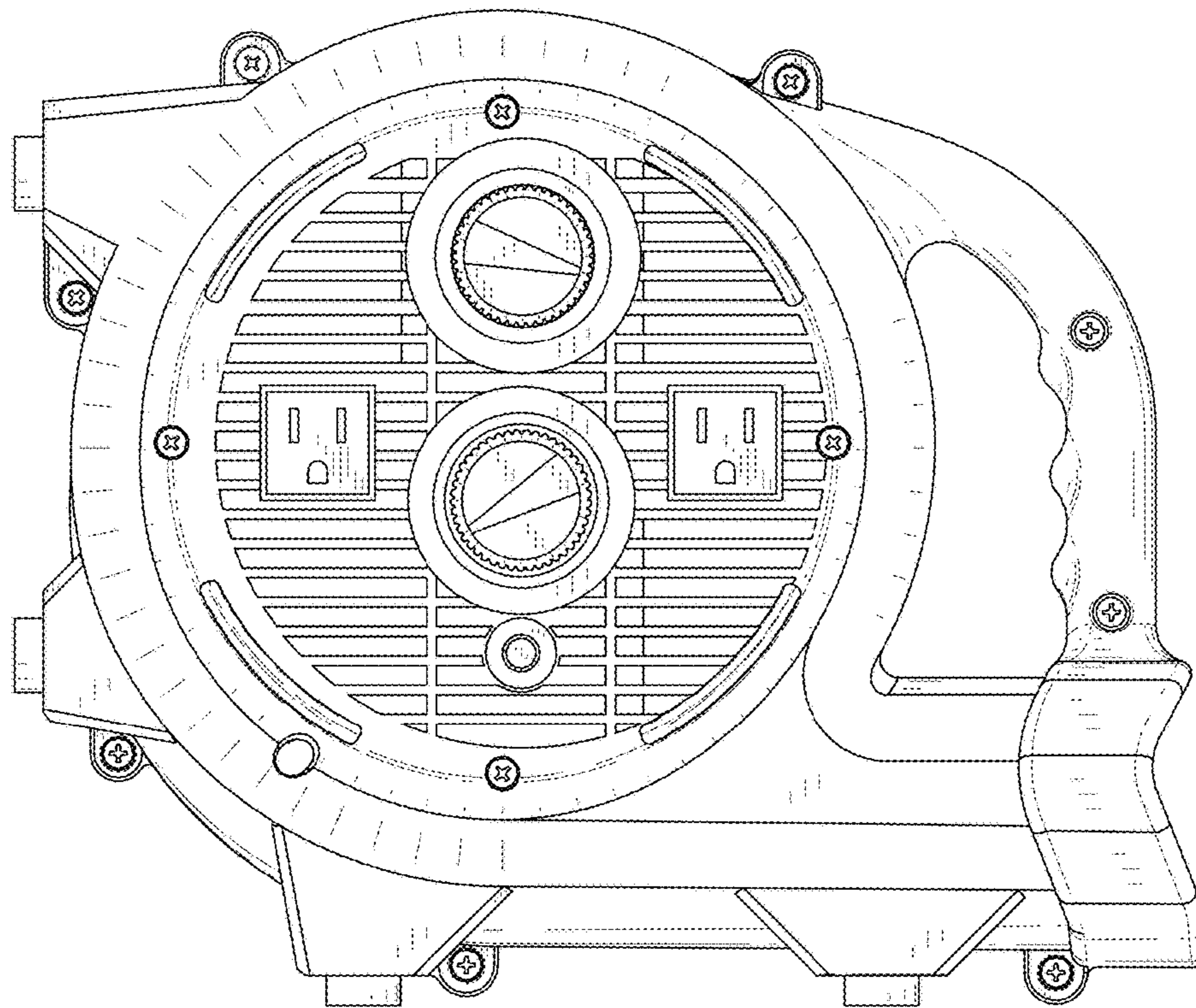


FIG. 4

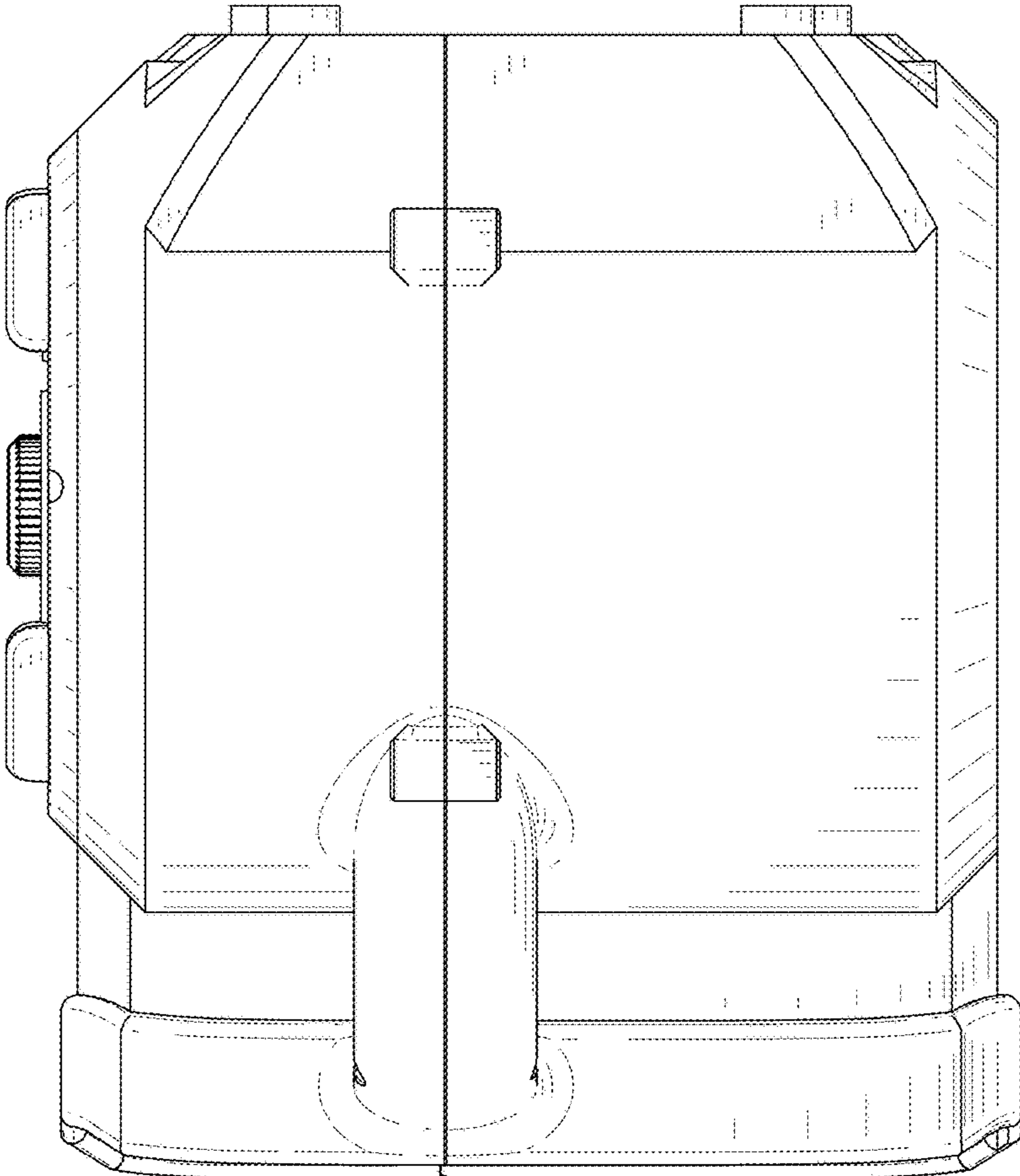


FIG. 5

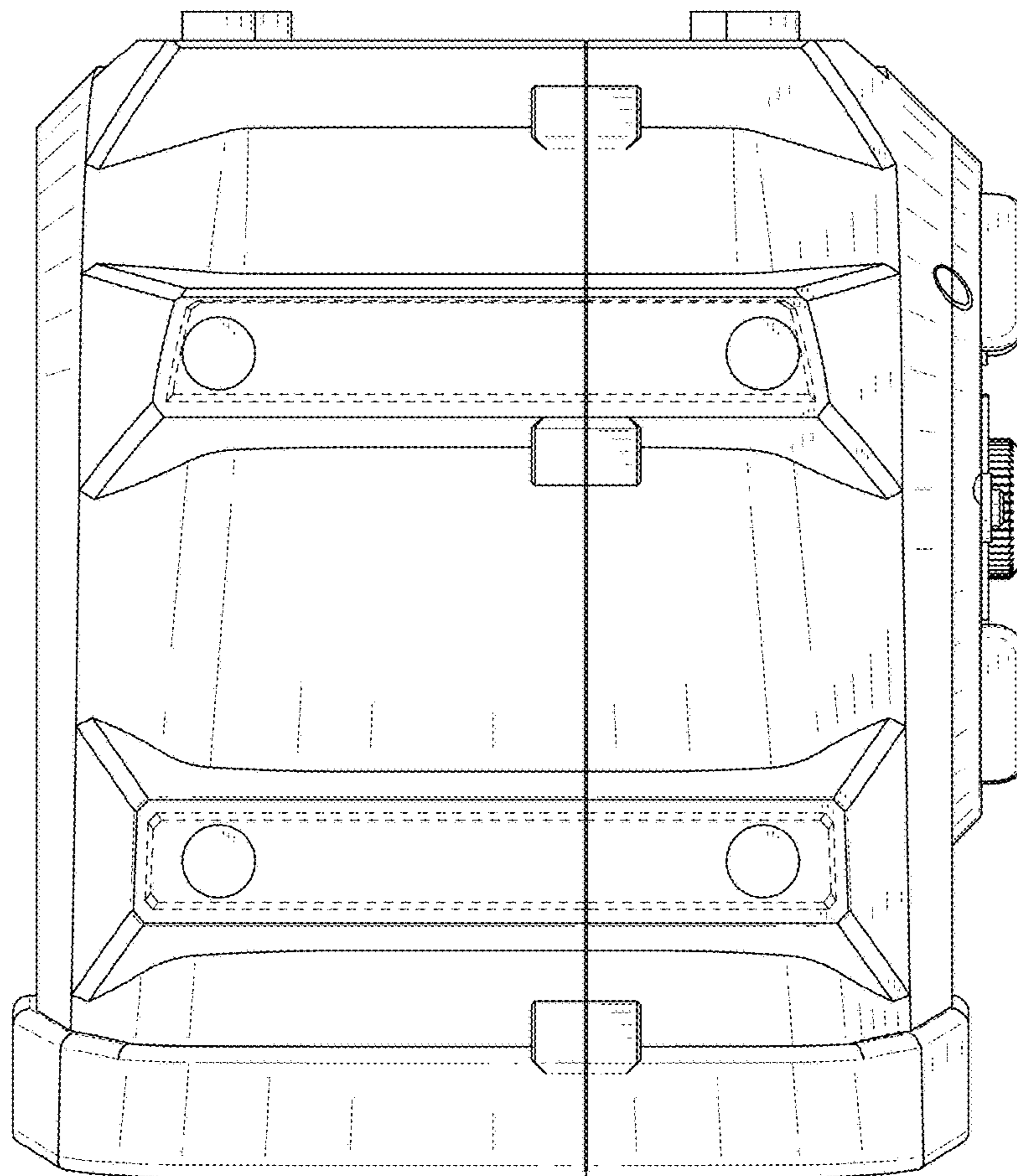


FIG. 6

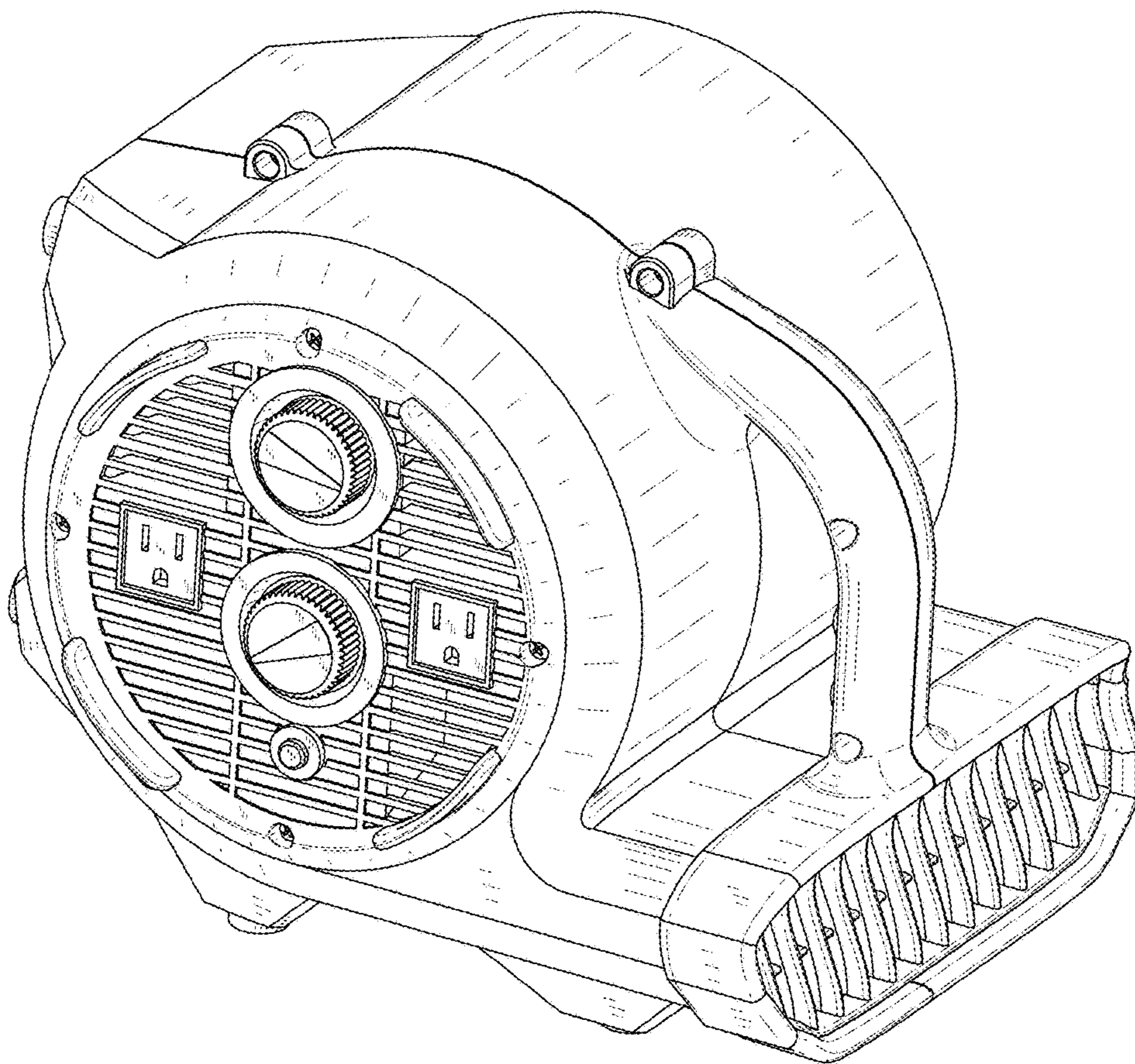


FIG. 7