



US00D869632S

(12) **United States Design Patent** (10) **Patent No.:** **US D869,632 S**
He et al. (45) **Date of Patent:** **** Dec. 10, 2019**

(54) **BLOWER**

2006/0049615 A1 3/2006 Day
2016/0175472 A1 6/2016 Tan
2019/0128281 A1* 5/2019 He F04D 29/462

(71) Applicants: **Xiangming He**, Jiangmen (CN);
Guanglian Lin, Jiangmen (CN)

(72) Inventors: **Xiangming He**, Jiangmen (CN);
Guanglian Lin, Jiangmen (CN)

(**) Term: **15 Years**

(21) Appl. No.: **29/656,605**

(22) Filed: **Jul. 13, 2018**

(51) **LOC (12) Cl.** **23-04**

(52) **U.S. Cl.**
USPC **D23/383**

(58) **Field of Classification Search**
USPC D23/332-337, 370-385; D32/15-18
CPC A01G 20/47; A01G 20/43; F04D 19/002;
F04D 25/0673; F04D 25/08; F04D
29/325

See application file for complete search history.

(56) **References Cited**

U.S. PATENT DOCUMENTS

D152,778 S *	2/1949	Fox	D23/370
5,174,048 A	12/1992	Shero		
D340,326 S	10/1993	Genovese		
5,265,895 A	11/1993	Barrett		
D482,772 S *	11/2003	Dooley	D23/383
D512,500 S *	12/2005	Wilson, Jr.	D23/383
D517,677 S	3/2006	Bartholmey		
D530,002 S	10/2006	Ching		
D566,823 S *	4/2008	Lewis	D23/383
D596,283 S	7/2009	Martinez et al.		
D687,137 S *	7/2013	Nemes	D23/332
D698,433 S	1/2014	Tomasiak et al.		
D704,908 S	5/2014	Cui		
D836,766 S *	12/2018	He	D23/383
D837,360 S *	1/2019	Cui	D23/383
D849,924 S	5/2019	Sanders et al.		
2004/0047743 A1 *	3/2004	Dooley	F04D 25/08 417/234

OTHER PUBLICATIONS

Stanley 655704 High Velocity Blower Fan, date posted unknown, site visited Jun. 29, 2019, Available from Internet, <https://www.amazon.com/Stanley-655704-Velocity-Blower-Yellow/dp/B006O6FA22/ref=sr_1_2?keywords=blower+air+mover+black+and+decker&qid=1561827189&s=gateway&sr=8-2>.*
8-Air VP-25 1 /4 HP 900 CFM Air Mover for Water Damage Restoration Equipment Carpet Dryer Floor Blower Fan Home and Plumbing Use, date first available Mar. 25, 2016, site visited Jun. 29, 2019.

* cited by examiner

Primary Examiner — Cathron C Brooks

Assistant Examiner — Sharon S Oum

(74) *Attorney, Agent, or Firm* — Innovation Capital Law Group, LLP; Vic Lin

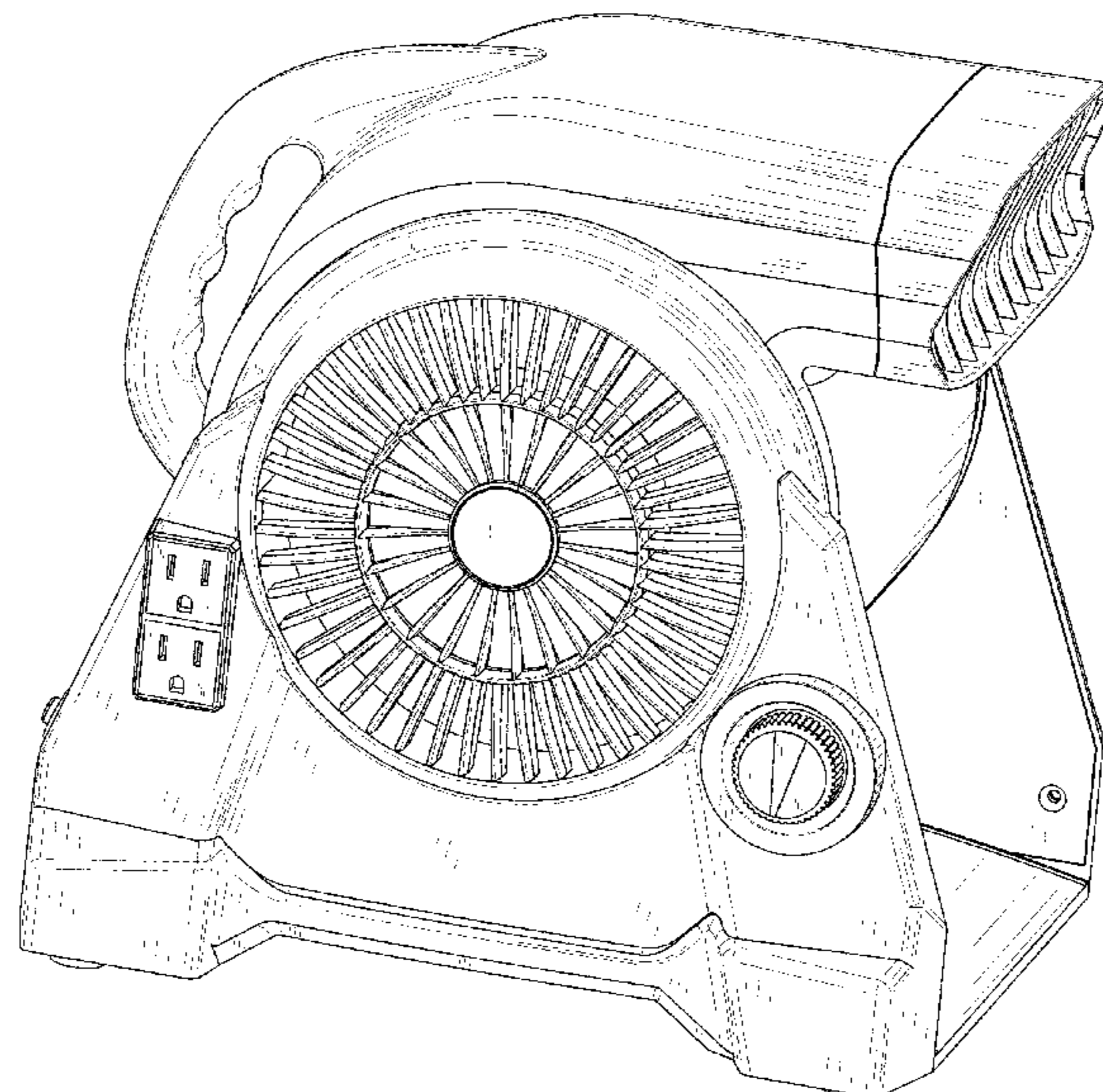
(57) **CLAIM**

The ornamental design for a blower, as shown and described.

DESCRIPTION

FIG. 1 is a front elevation view of the blower; FIG. 2 is a rear elevation view of the blower; FIG. 3 is a right elevation view of the blower; FIG. 4 is a left elevation view of the blower; FIG. 5 is a top plan view of the blower; FIG. 6 is a bottom plan view of the blower; and, FIG. 7 is a perspective view of the blower. The broken lines illustrates portions of the blower and form no part of the claimed design.

1 Claim, 7 Drawing Sheets



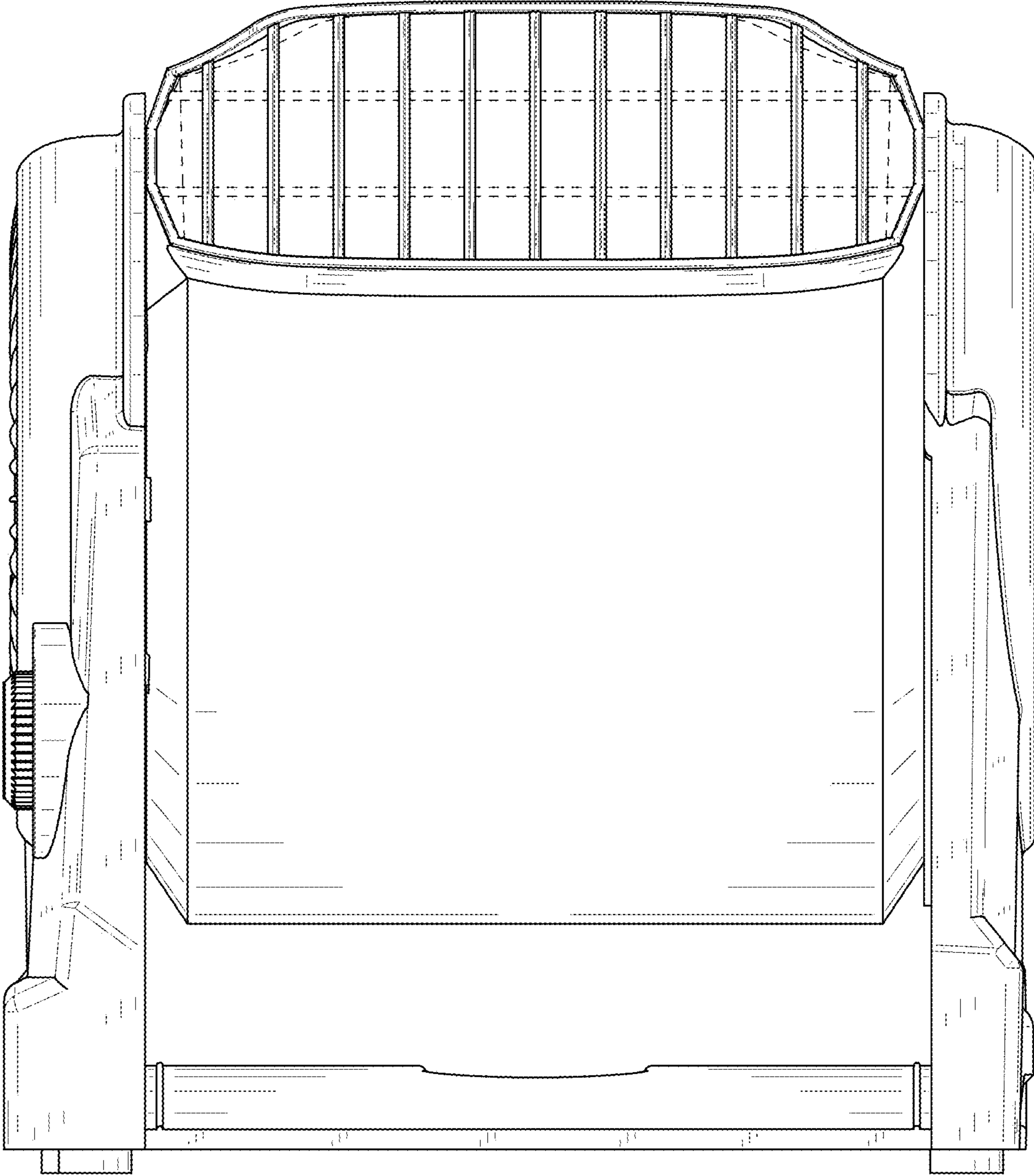


FIG. 1

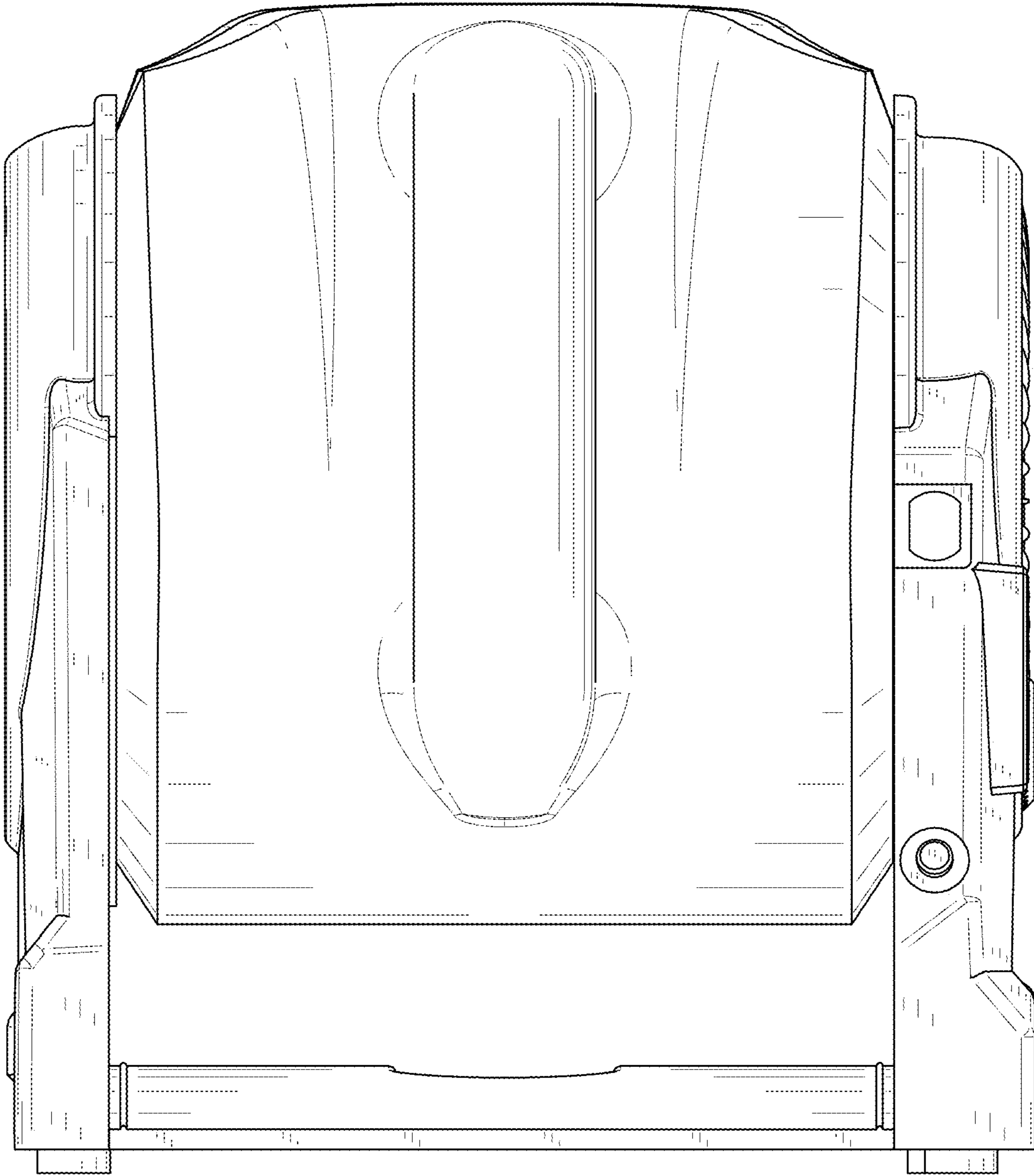


FIG. 2

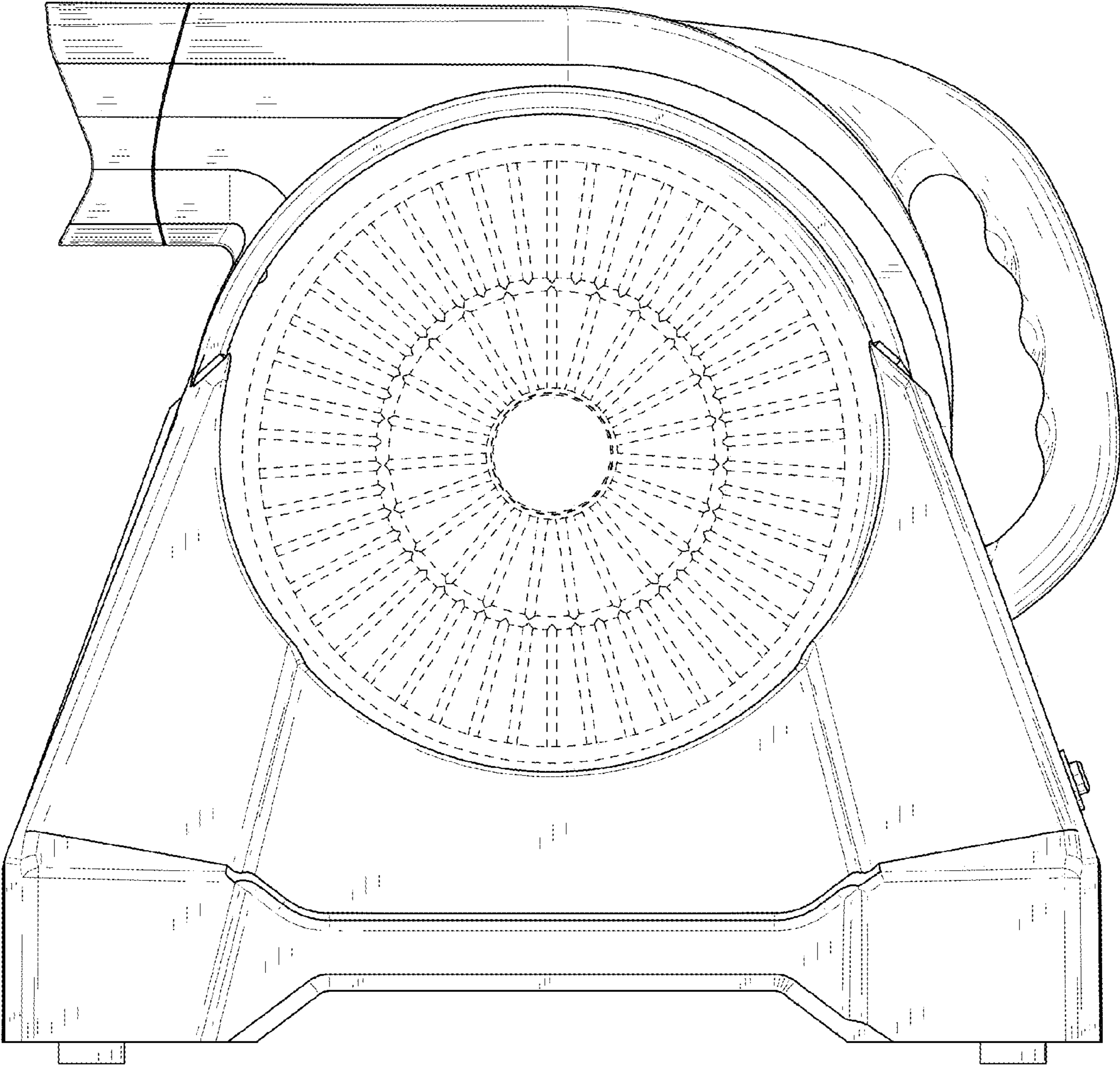


FIG. 3

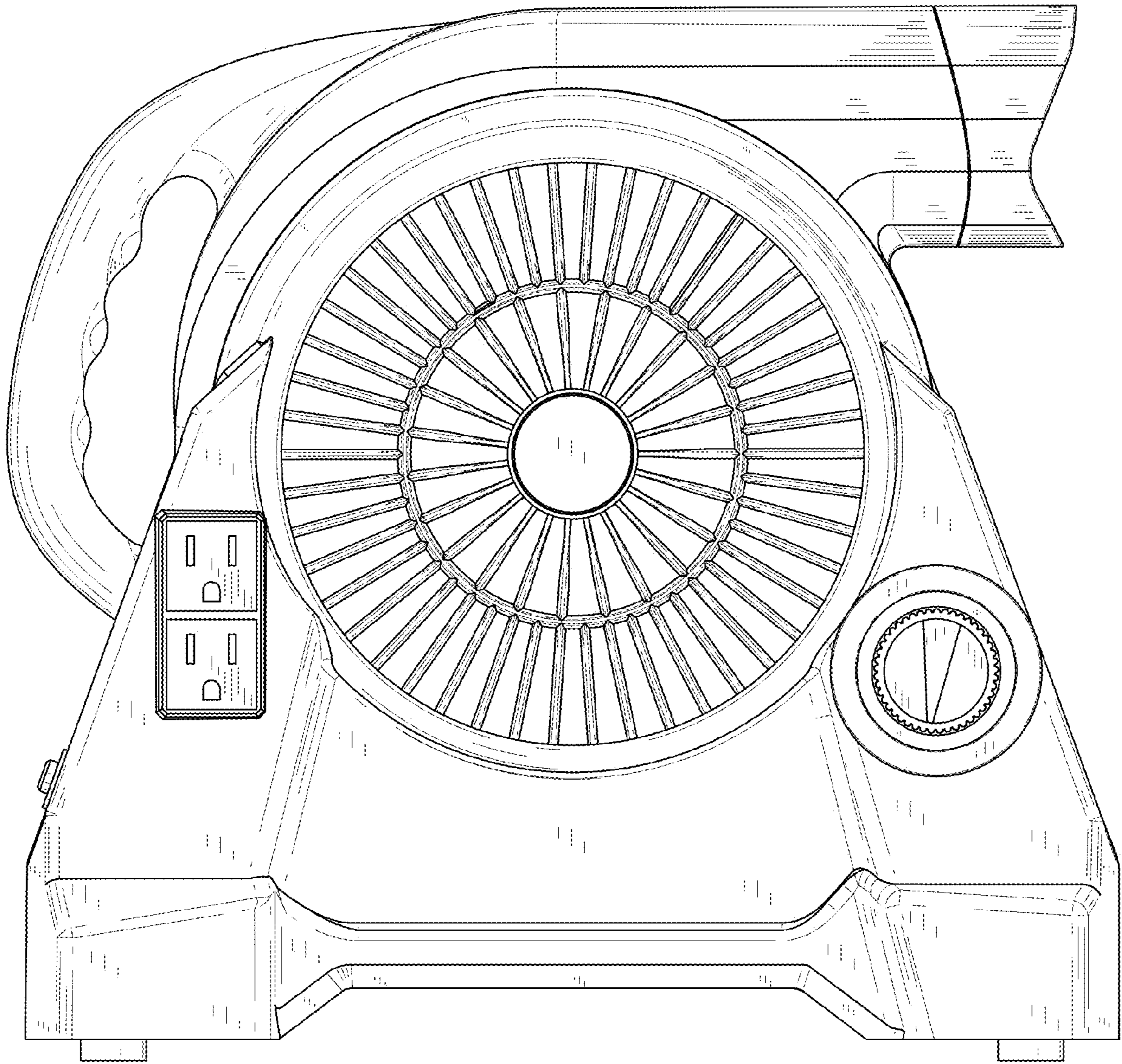


FIG. 4

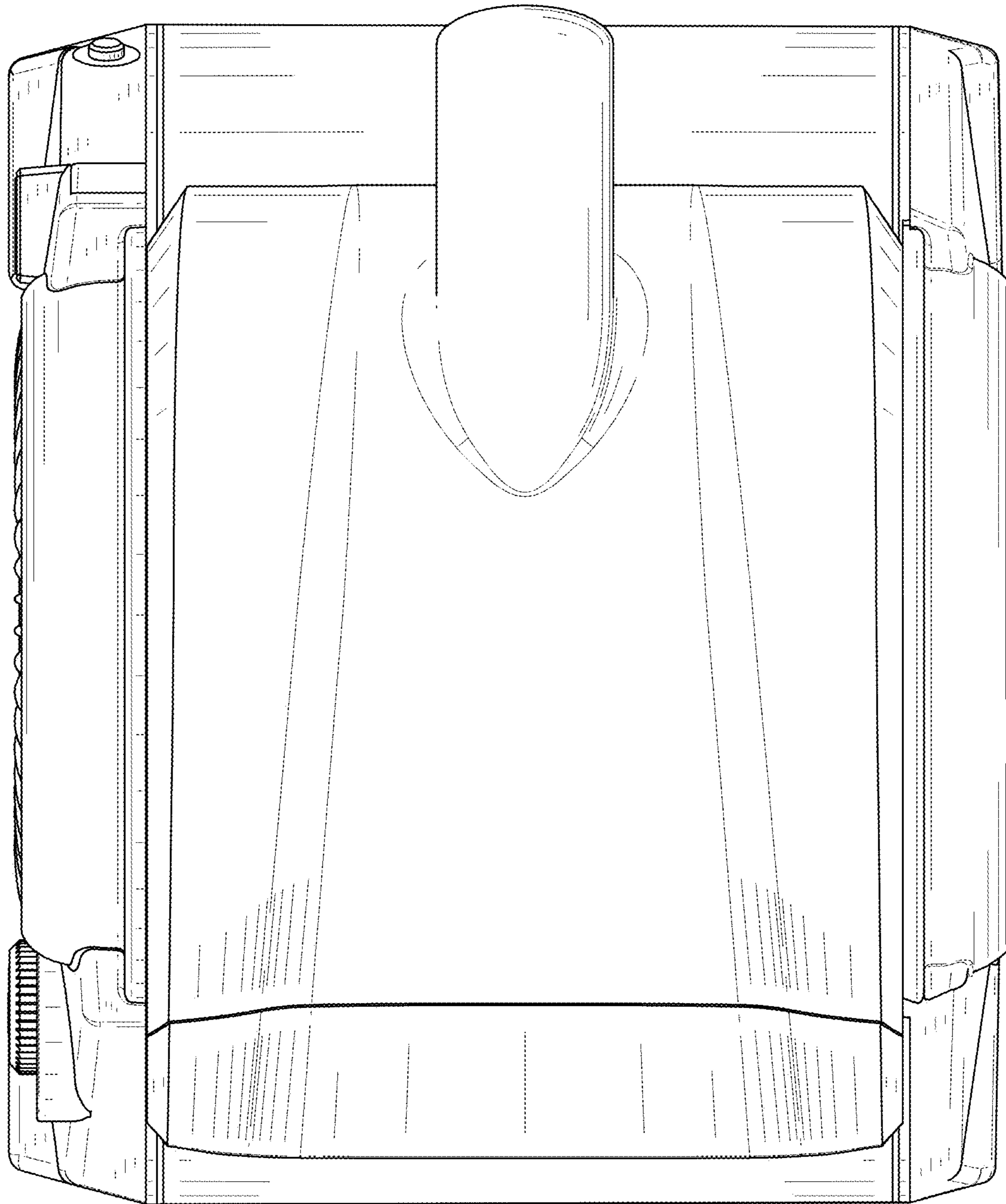


FIG. 5

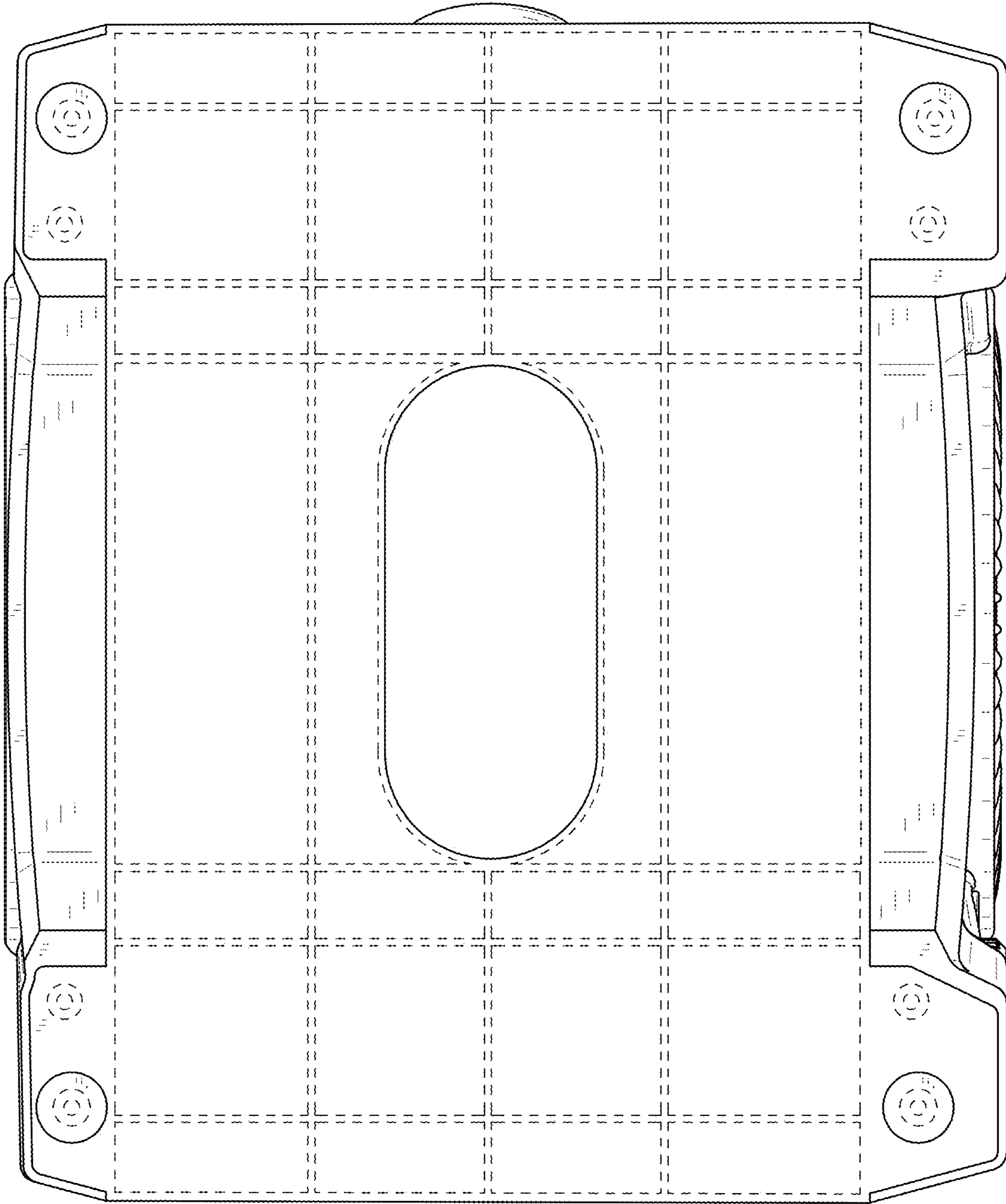


FIG. 6

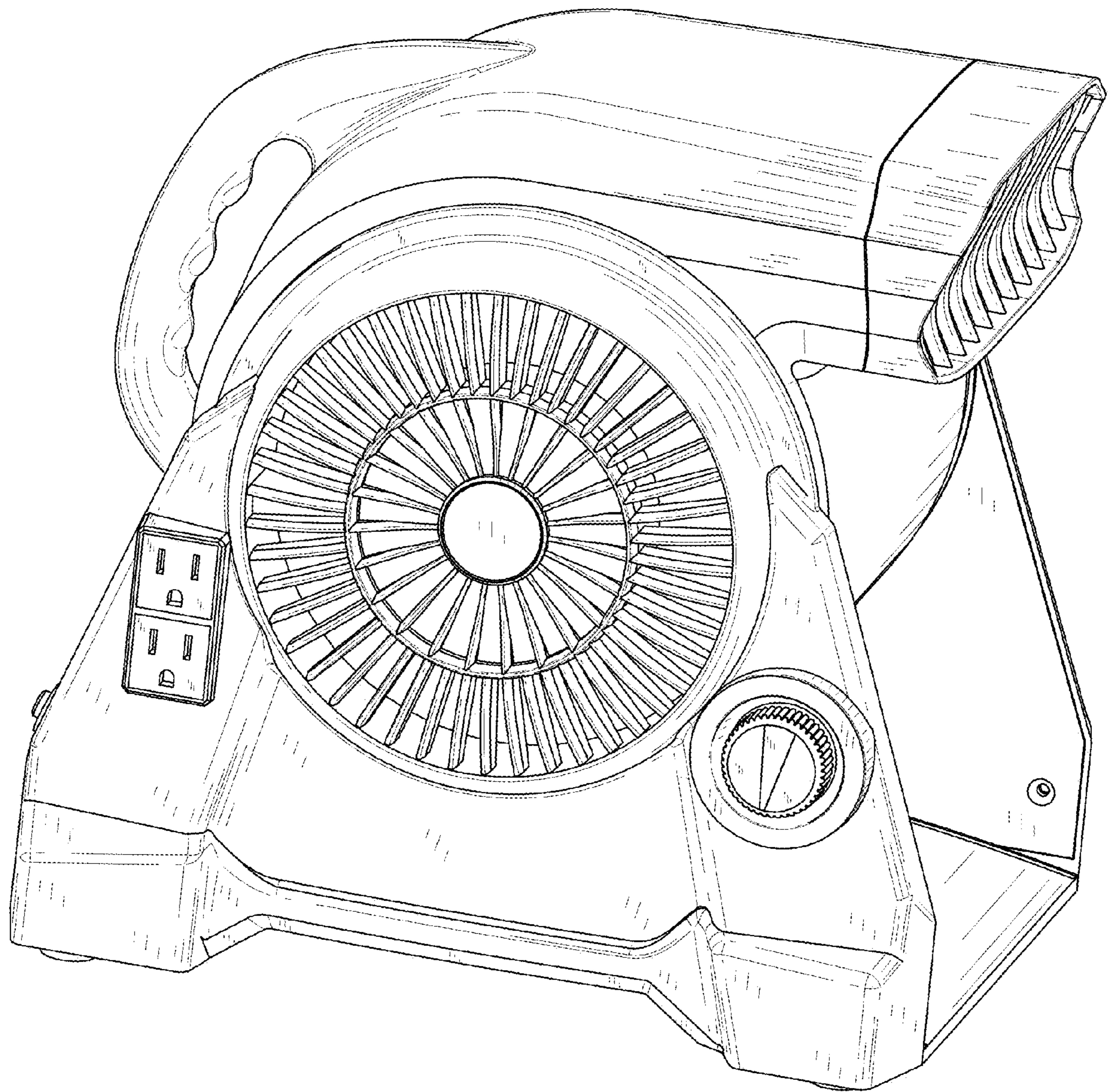


FIG. 7