

US00D869630S

(12) **United States Design Patent** (10) **Patent No.:** **US D869,630 S**
Zaludova et al. (45) **Date of Patent:** **** Dec. 10, 2019**

(54) **FRAGRANCE DIFFUSER ELEMENT**

2,802,695 A 8/1957 Johnson
2,804,291 A 8/1957 Segerstad
2,824,208 A 2/1958 Bauer

(71) Applicant: **Hya-Scent, Inc.**, San Francisco, CA
(US)

(Continued)

(72) Inventors: **Helena Zaludova**, San Francisco, CA
(US); **Martin Schnitzer**, Graz (AT)

FOREIGN PATENT DOCUMENTS

EP 0864330 9/1998
EP 1088562 4/2001

(73) Assignee: **Hya-Scent, Inc.**, San Francisco, CA
(US)

(Continued)

(**) Term: **15 Years**

OTHER PUBLICATIONS

(21) Appl. No.: **29/666,524**

Hya-Scent Fragrance Diffuser found online [Nov. 28, 2018] - <https://hyascent.com/>*

(22) Filed: **Oct. 12, 2018**

(Continued)

Related U.S. Application Data

(63) Continuation-in-part of application No. 15/782,794,
filed on Oct. 12, 2017.

Primary Examiner — Lakiya G Rogers

Assistant Examiner — John A Voytek

(74) *Attorney, Agent, or Firm* — Aka Chan LLP

(51) **LOC (12) Cl.** **28-99**

(52) **U.S. Cl.**
USPC **D23/366**

(57) **CLAIM**

The ornamental design for a fragrance diffuser element, as shown and described.

(58) **Field of Classification Search**
USPC D23/314, 325, 333-336, 355-367,
D23/386-388

CPC . A61L 9/03; A61L 9/012; A61L 9/015; A61L
9/037

See application file for complete search history.

DESCRIPTION

FIG. 1 shows a perspective view of a design for a fragrance diffuser element.

FIG. 2 shows a first side view of the design.

FIG. 3 shows a second side view of the design, rotated a 1/4-turn relative to the first side view.

FIG. 4 shows a top view of the design.

FIG. 5 shows a bottom view of the design.

FIG. 6 shows a first top perspective view of the design.

FIG. 7 shows a second top perspective view of the design, rotated a 1/4-turn relative to the first top perspective view of the design; and,

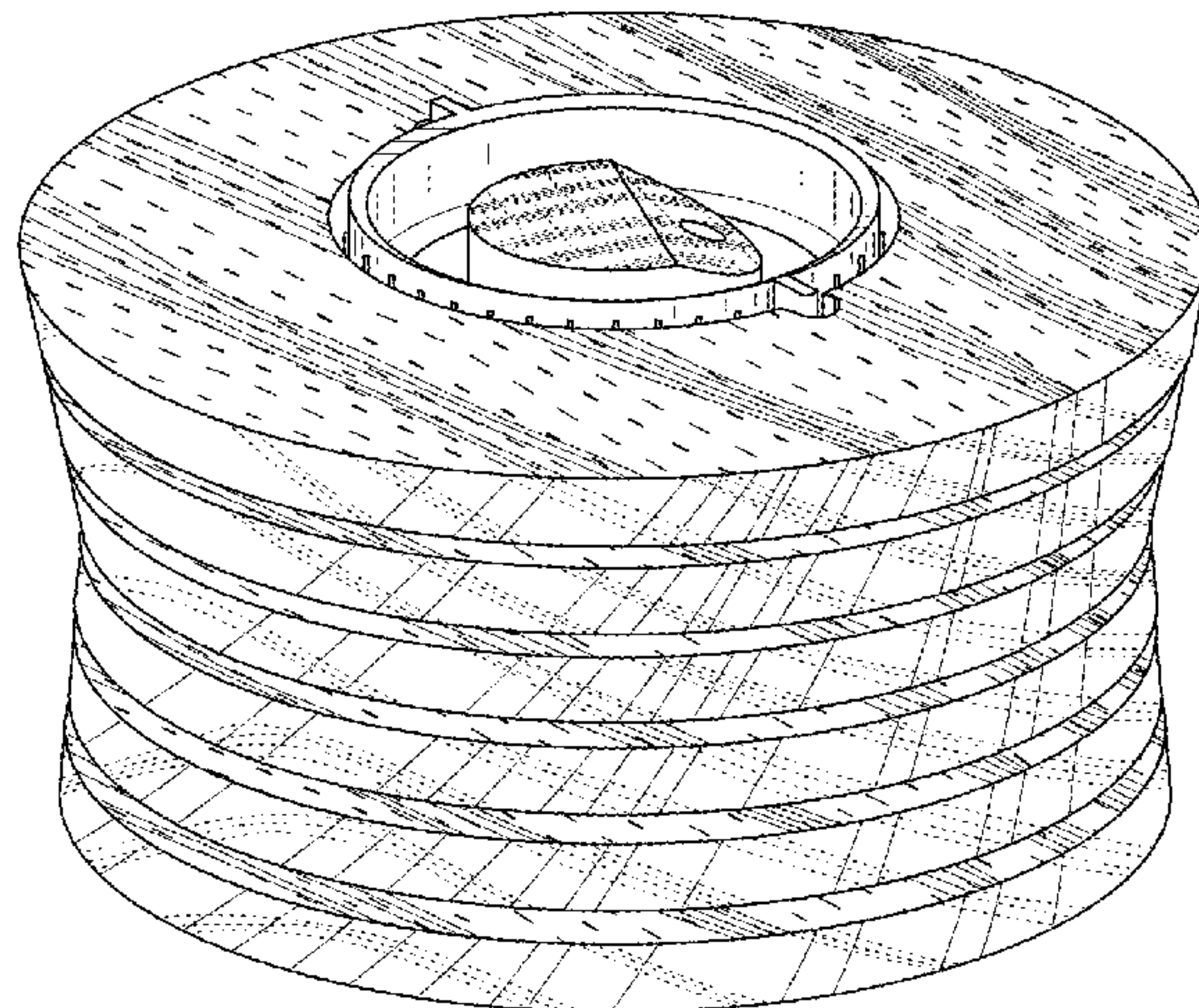
FIG. 8 shows a side view of the design in use with attached containers with liquid.

(56) **References Cited**

U.S. PATENT DOCUMENTS

940,604 A 11/1909 Leathers
1,994,932 A 3/1935 Lucien
D96,731 S 9/1935 Dougherty
D108,220 S 2/1938 Shapiro
2,120,204 A 6/1938 Langhorst
D113,230 S 10/1938 Karstadt
D120,226 S 4/1940 Lundy
D156,589 S * 12/1949 Wedderspoon D23/336
D162,679 S 3/1951 Munnecke
2,597,195 A 5/1952 Smith

1 Claim, 5 Drawing Sheets



(56)

References Cited

U.S. PATENT DOCUMENTS

2,847,976 A 8/1958 Spaulding
 D189,393 S 12/1960 Schlumbohm
 3,283,787 A 11/1966 Davis
 3,550,853 A 12/1970 Gray
 3,685,734 A 8/1972 Paciorek et al.
 D227,764 S * 7/1973 Katsuda D22/120
 3,972,473 A 8/1976 Harrison
 4,084,732 A 4/1978 Darling
 4,145,001 A 3/1979 Weyenberg et al.
 4,149,675 A 4/1979 Van Breen et al.
 4,158,440 A 6/1979 Sullivan et al.
 4,226,829 A 10/1980 Mike
 4,286,754 A 9/1981 Jones
 4,413,779 A 11/1983 Santini
 D273,415 S 4/1984 Rogers
 4,454,987 A 6/1984 Mitchell
 4,605,165 A 8/1986 Van Loveren et al.
 4,726,519 A 2/1988 Muoio
 4,747,539 A 5/1988 Spector
 4,780,253 A 10/1988 Fukuhara et al.
 D307,468 S * 4/1990 Booth, Jr. D23/366
 D310,262 S * 8/1990 Lemire D23/336
 D318,227 S * 7/1991 Halm D23/366
 5,050,798 A 9/1991 Sullivan
 5,069,231 A 12/1991 Rutherford
 D323,290 S 1/1992 Keedy, Jr.
 D328,946 S * 8/1992 Havrilla D23/365
 5,139,864 A 8/1992 Lindauer
 5,242,111 A 9/1993 Nakoneczny et al.
 5,263,274 A 11/1993 Speed
 5,361,522 A 11/1994 Green
 5,364,027 A 11/1994 Kuhn
 D372,769 S 8/1996 Ganor
 5,556,030 A 9/1996 Paul
 D383,202 S * 9/1997 Meister D23/364
 5,755,381 A 5/1998 Yazaki
 D397,912 S 9/1998 Goessling, Jr.
 D400,660 S * 11/1998 Picozza D23/364
 5,845,847 A 12/1998 Martin et al.
 D406,986 S 3/1999 Lewis
 D412,085 S 7/1999 Roush et al.
 D417,591 S 12/1999 Roehrig
 6,050,551 A 4/2000 Anderson
 D436,657 S 1/2001 Heatter
 D442,029 S 5/2001 Otake
 6,481,639 B1 11/2002 Pozzo
 6,551,560 B1 4/2003 Flashinski et al.
 D475,890 S 6/2003 Mazonkey
 D477,661 S 7/2003 Pinchuk
 D489,225 S 5/2004 Leinenweber
 6,899,280 B2 5/2005 Kotary et al.
 6,913,733 B2 7/2005 Hardy et al.

D513,797 S 1/2006 Wang
 6,994,799 B2 2/2006 Van Driessche et al.
 D536,262 S 2/2007 Ioannides et al.
 D538,909 S * 3/2007 Blateri D23/335
 D546,184 S * 7/2007 Yelland D9/502
 D562,956 S 2/2008 Martinez et al.
 D572,083 S 7/2008 Tien
 D574,076 S 7/2008 Baraky
 D582,534 S 12/2008 Conway et al.
 D584,947 S 1/2009 Bourne
 7,481,380 B2 1/2009 Kvietok et al.
 D588,409 S 3/2009 Kleckauskas et al.
 D593,802 S 6/2009 Baek
 D599,899 S 9/2009 Thompson
 D612,037 S 3/2010 Jørgensen
 D613,166 S * 4/2010 Bentley D9/502
 D615,413 S 5/2010 Gilbert et al.
 D633,191 S 2/2011 Sato
 D639,114 S 6/2011 Swinford et al.
 D647,608 S * 10/2011 Young D23/366
 8,235,308 B2 8/2012 Gaines et al.
 D675,721 S * 2/2013 Frank D23/384
 D678,493 S 3/2013 Lacotta et al.
 D682,700 S * 5/2013 White D9/538
 D690,649 S * 10/2013 Lin D13/122
 D731,896 S * 6/2015 Lederer D9/683
 D741,648 S * 10/2015 Wahl D23/366
 D752,727 S 3/2016 Tracey
 D758,802 S 6/2016 Bodum
 9,382,034 B2 7/2016 Baker et al.
 D777,985 S * 1/2017 Schlatter D28/85
 D825,730 S 8/2018 Servaire
 2006/0076429 A1 4/2006 Kvietok et al.
 2006/0097065 A1 5/2006 Kvietok et al.
 2006/0233538 A1 10/2006 Tollens et al.
 2007/0023541 A1 2/2007 Brown et al.
 2007/0176015 A1 8/2007 Farrell et al.
 2015/0190542 A1 7/2015 Lamboux et al.
 2018/0099067 A1 4/2018 Zaludova et al.

FOREIGN PATENT DOCUMENTS

EP 1076014 12/2004
 FR 3019048 10/2015
 WO 2005032606 4/2005
 WO 2011128604 10/2011

OTHER PUBLICATIONS

Diptyque Hourglass Diffuser Product Reference, Mar. 15, 2014, 6 pages.
 International Search Report, PCT Application PCT/US2017/056416, dated Mar. 1, 2018, 3 Pages.

* cited by examiner

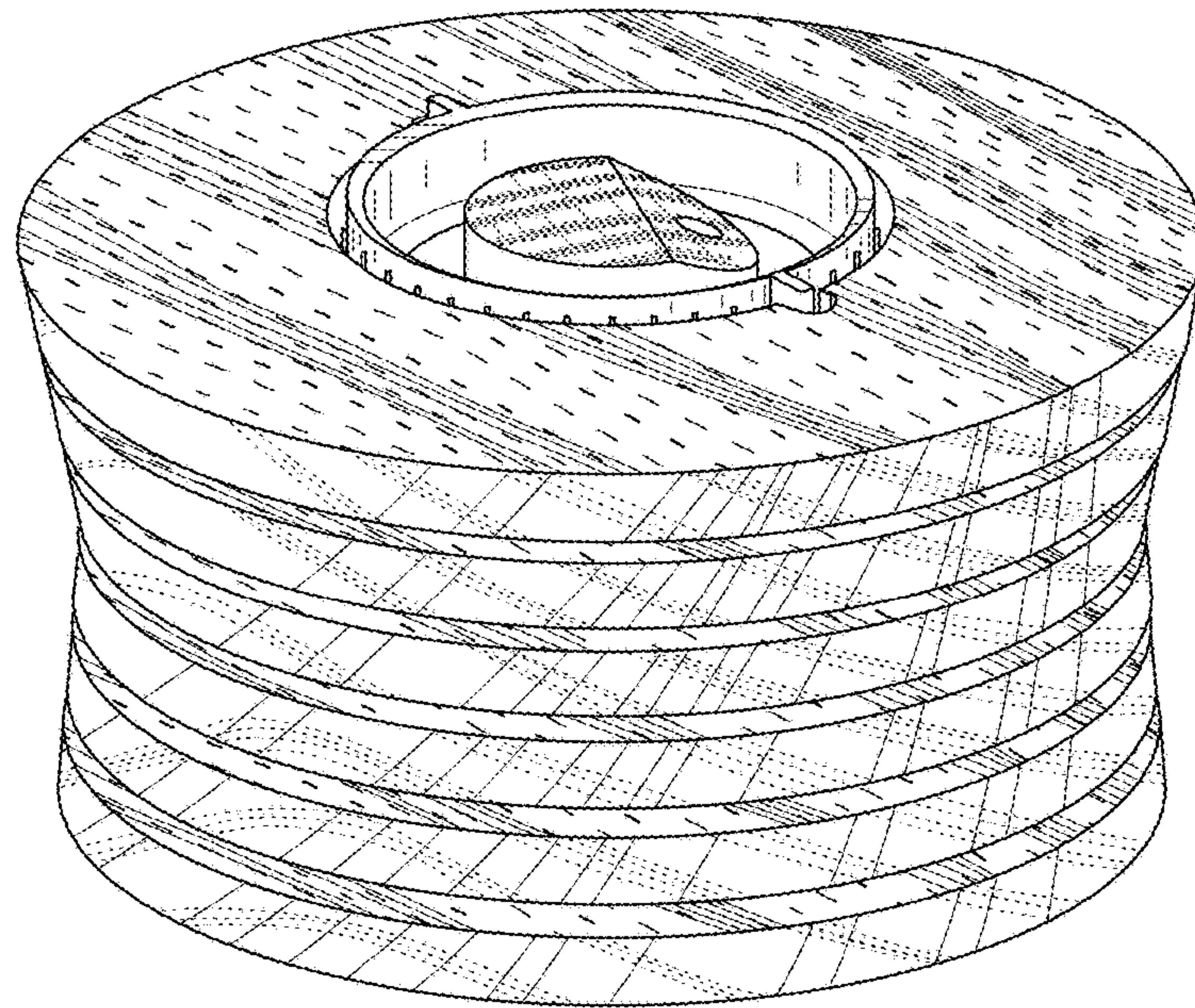


FIG. 1

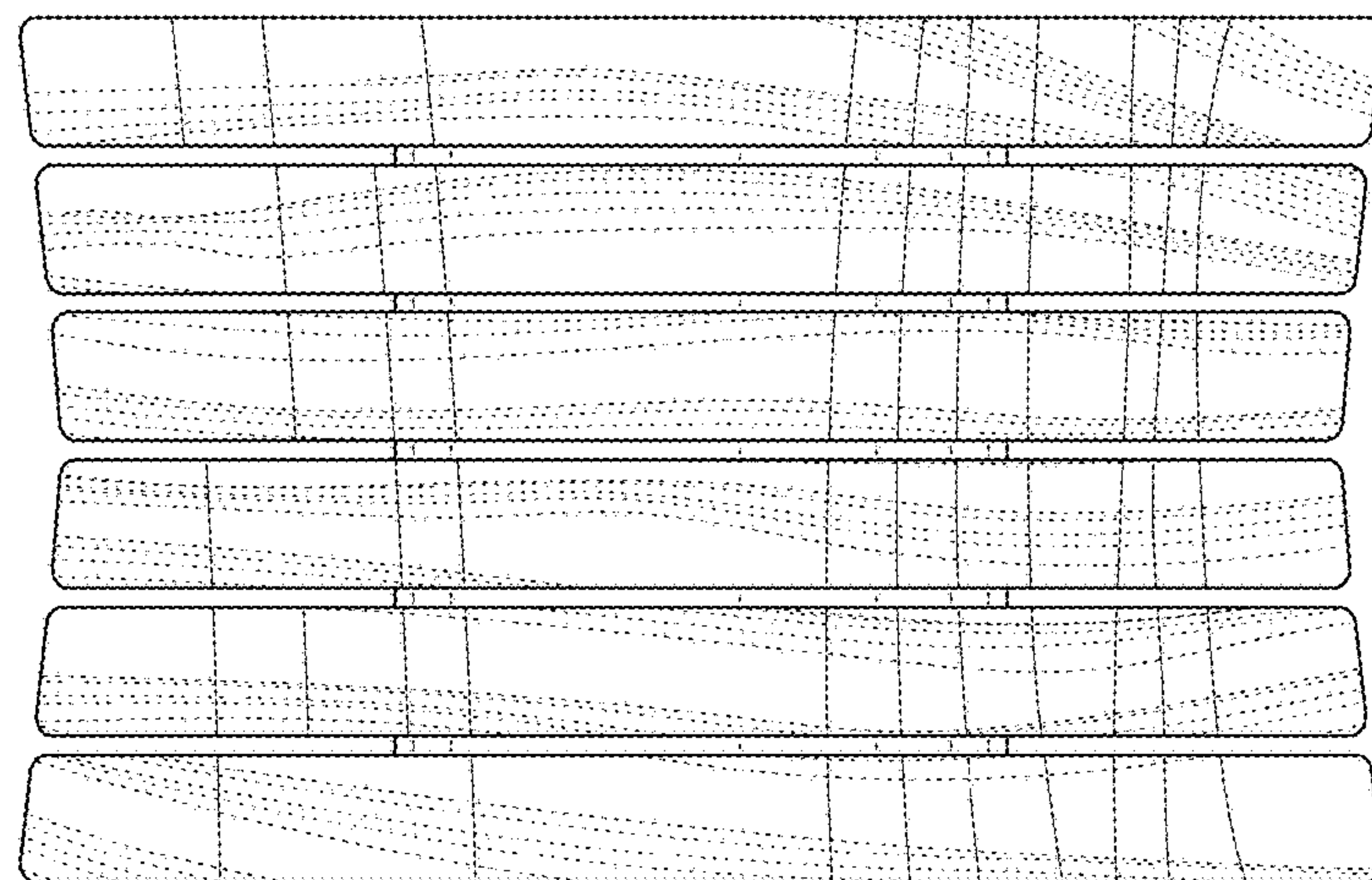


FIG. 2

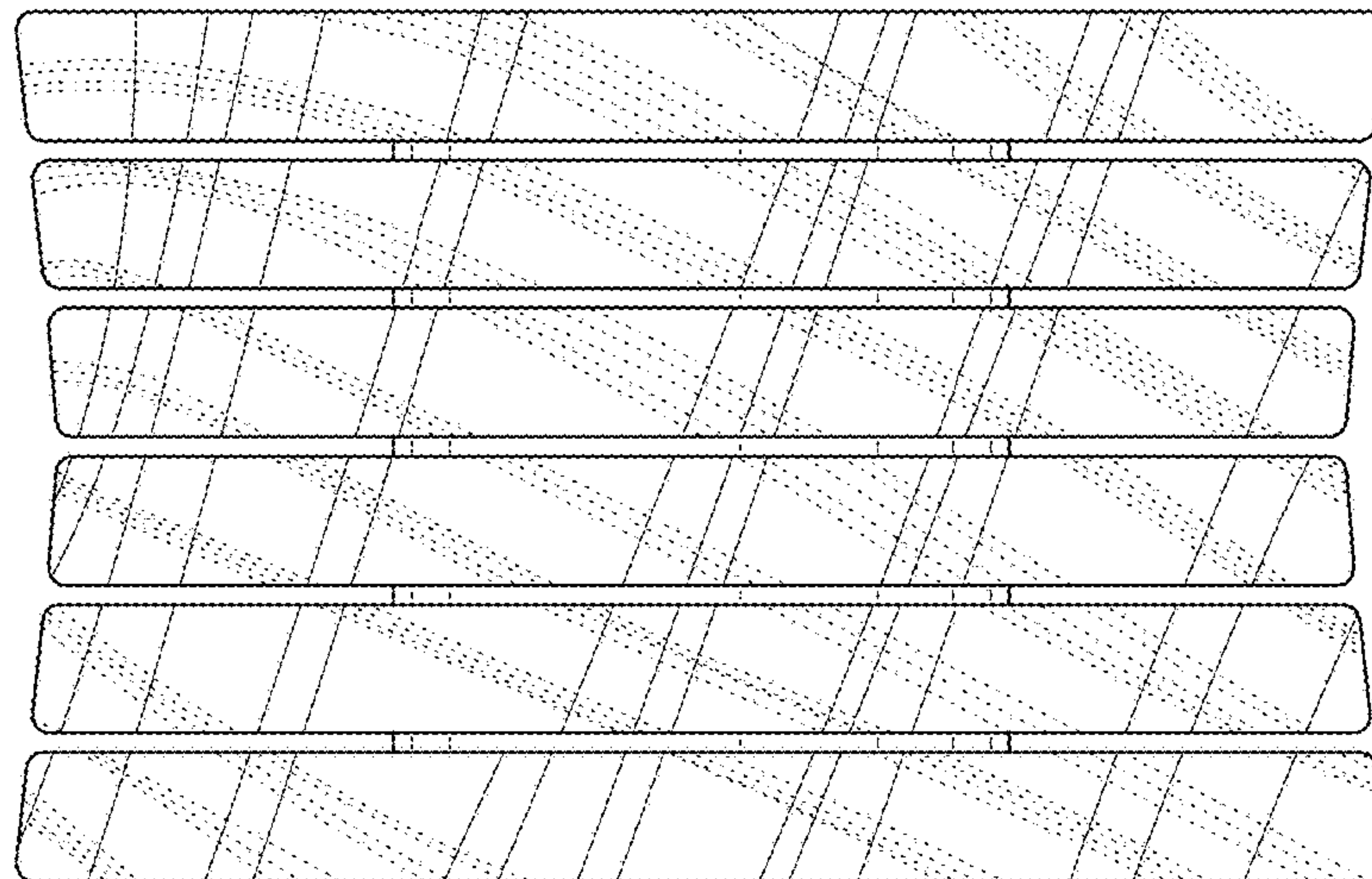


FIG. 3

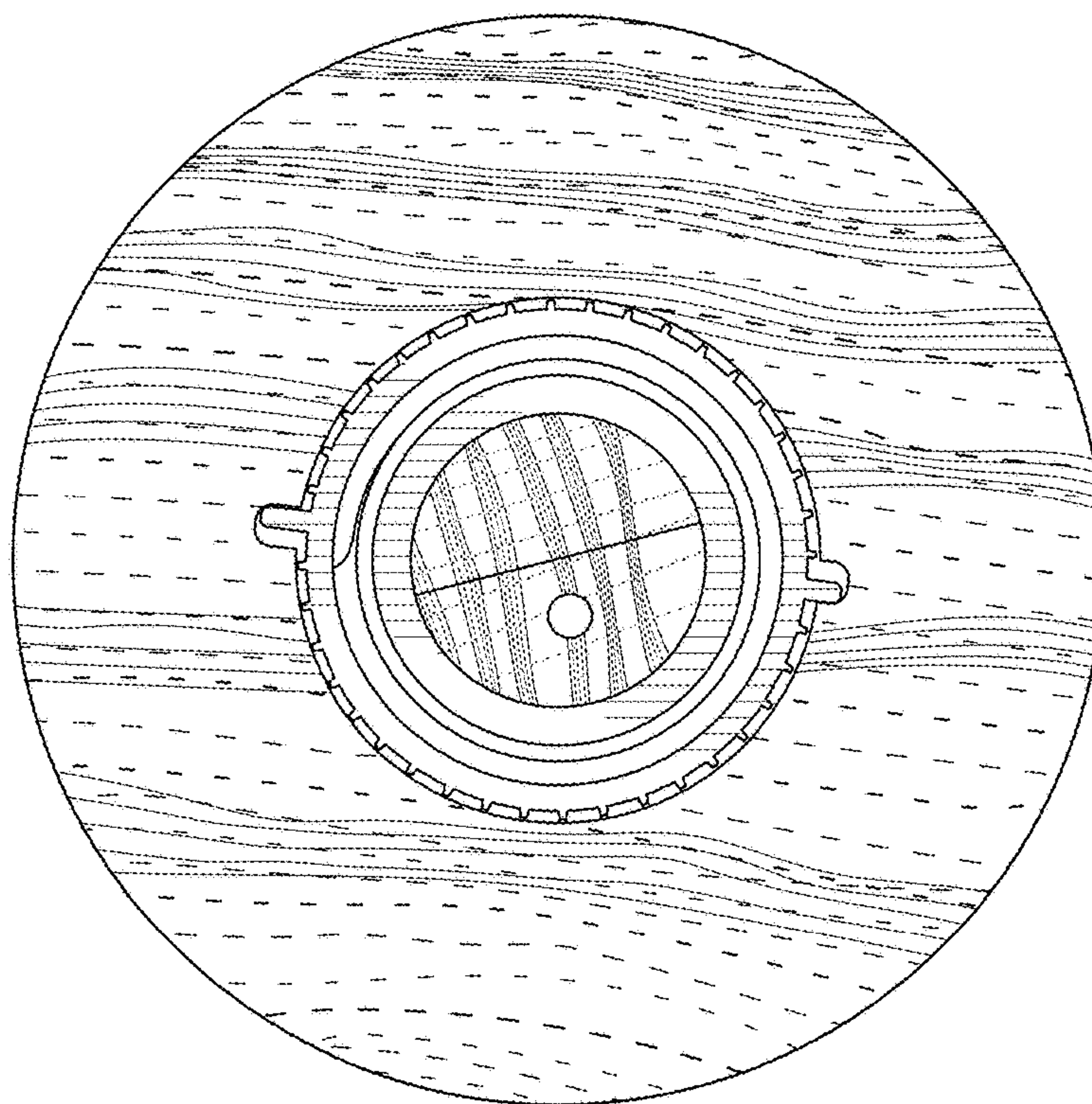


FIG. 4

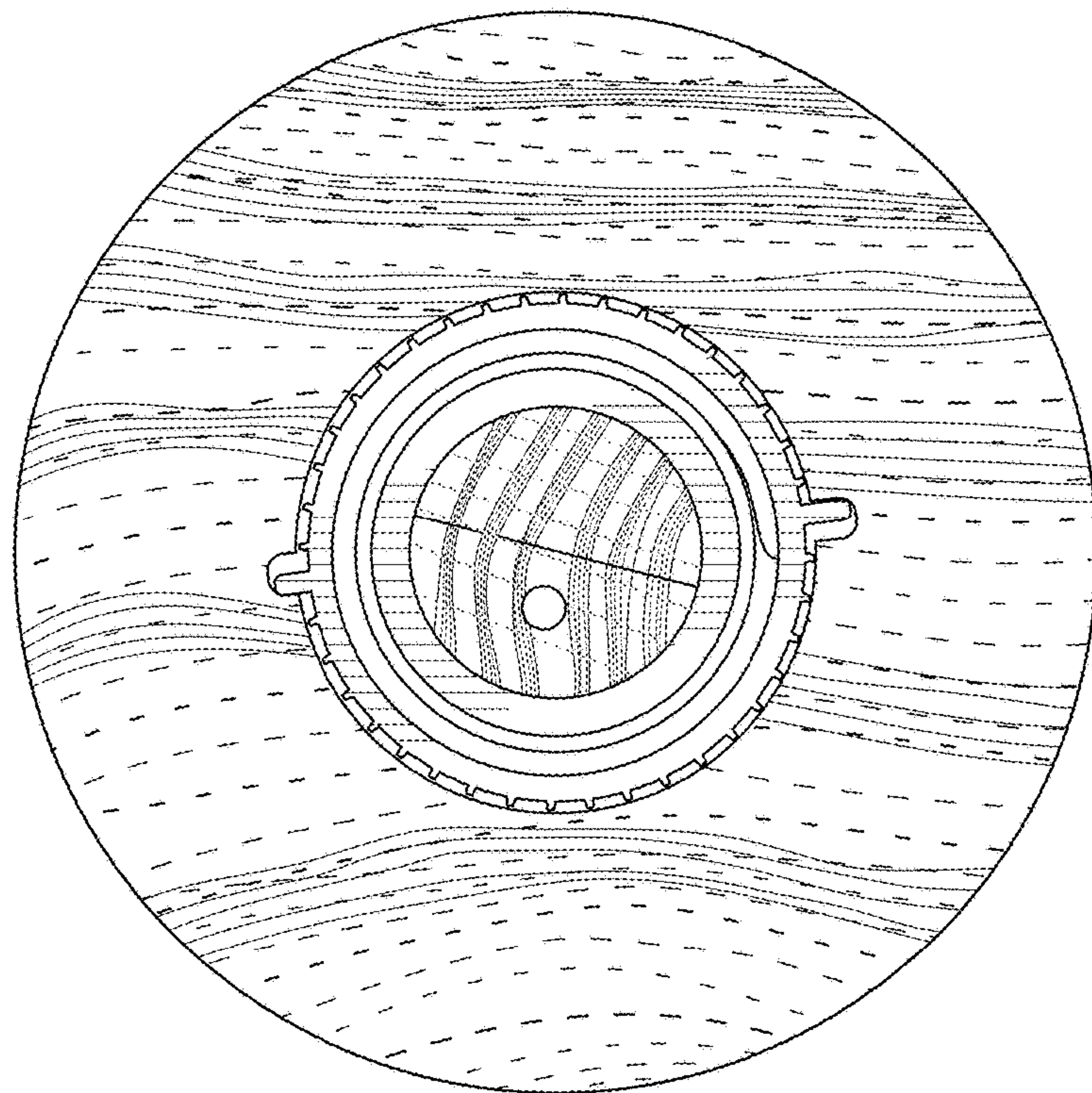


FIG. 5

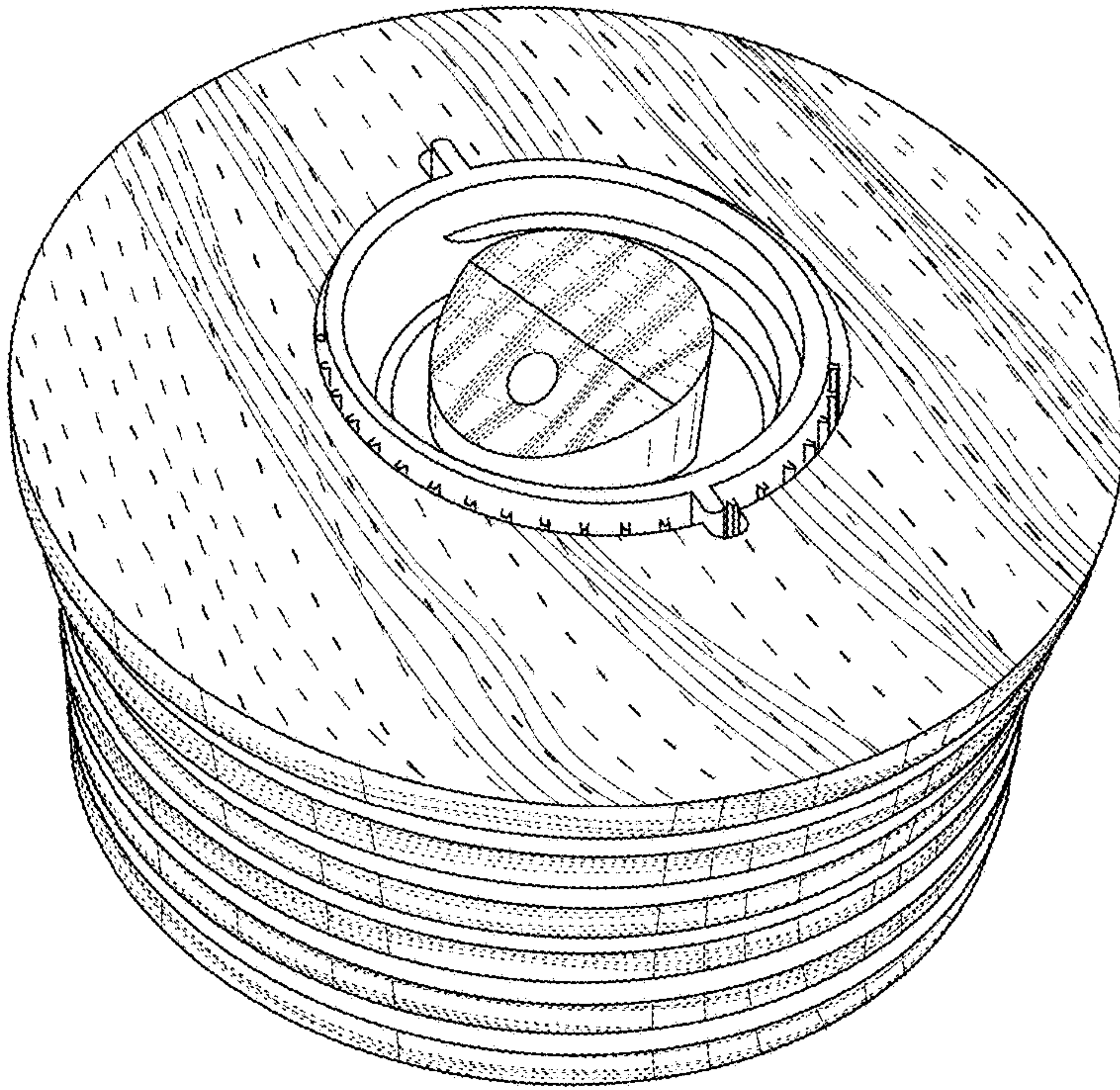


FIG. 6

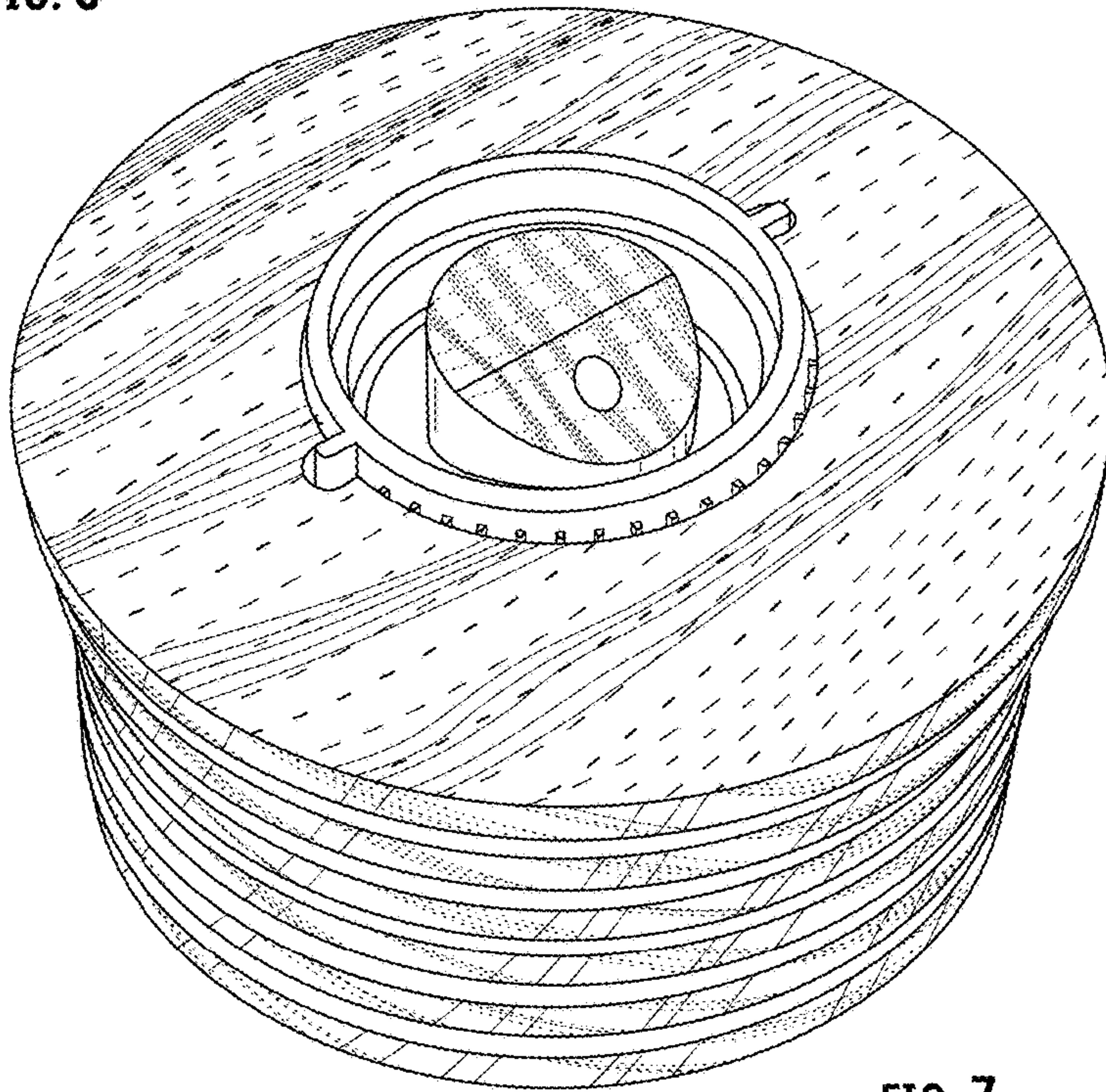


FIG. 7

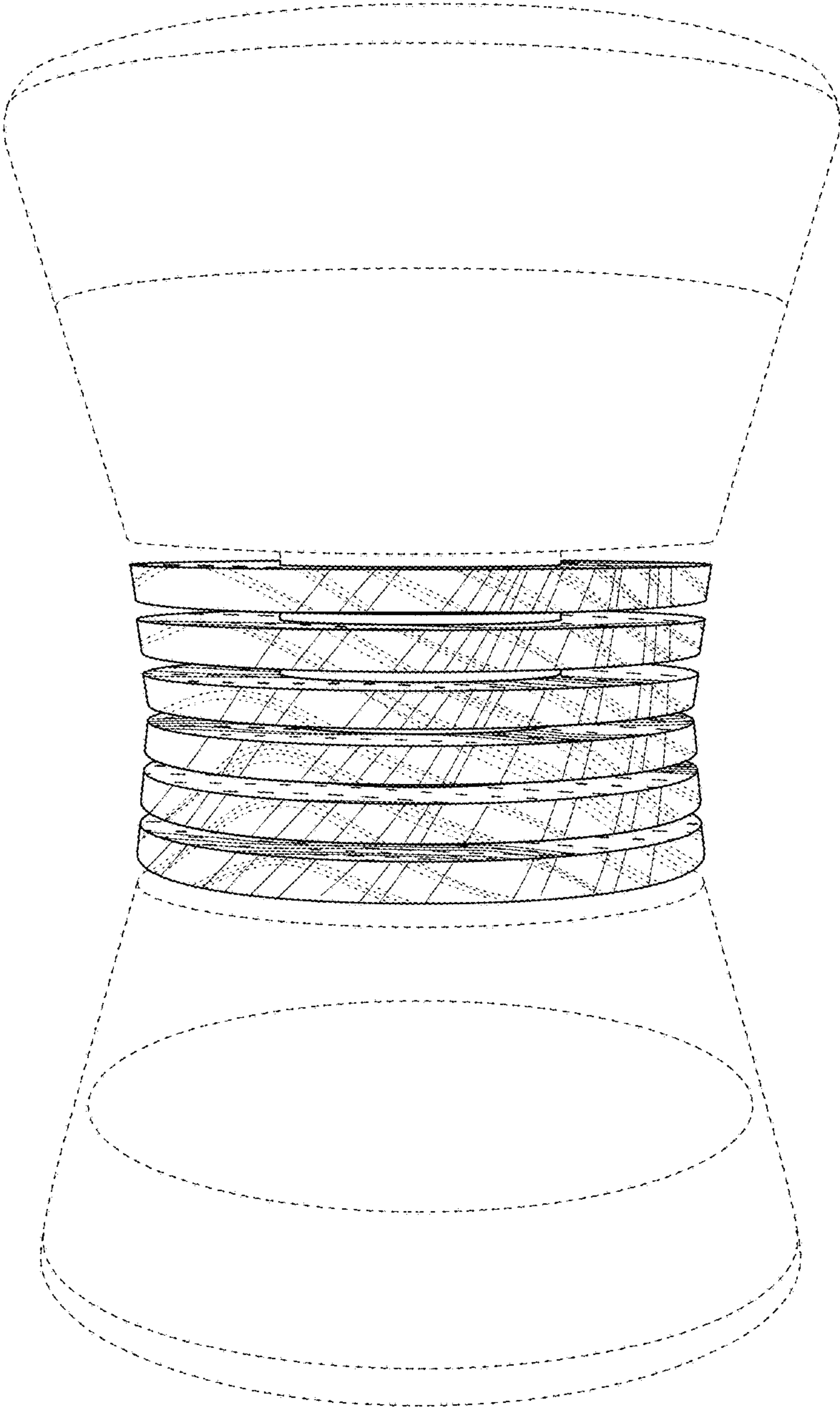


FIG. 8