



US00D869627S

(12) **United States Design Patent**
Gobber et al.

(10) **Patent No.:** **US D869,627 S**

(45) **Date of Patent:** **** Dec. 10, 2019**

(54) **AIR DIFFUSER**

CPC ... A61L 9/02; A61L 9/03; A61L 9/034; A61L 9/04; A61L 9/12; A61L 9/032; A61L 9/122; A61L 9/127; A61L 9/22

(71) Applicant: **ZOBELE HOLDING S.P.A.**, Trento (IT)

See application file for complete search history.

(72) Inventors: **Cedric Gobber**, Barcelona (ES);
Joaquim Llorente Alonso, Barcelona (ES)

(56) **References Cited**

U.S. PATENT DOCUMENTS

(73) Assignee: **ZOBELE HOLDING S.P.A.**, Trento (IT)

(**) Term: **15 Years**

D520,128 S *	5/2006	Caserta	D23/366
D522,118 S *	5/2006	Miro	D23/366
D523,129 S *	6/2006	Caserta	D23/366
D698,431 S *	1/2014	Garbusi	D23/366
D698,912 S *	2/2014	Garbusi	D23/366
D724,193 S *	3/2015	Esses	D23/366
D743,519 S *	11/2015	Furner	D23/366
D752,730 S *	3/2016	Loubiere	D23/366
D763,430 S *	8/2016	Shin	D23/368
D776,247 S *	1/2017	King	D23/366
D782,638 S *	3/2017	Rossi	D23/366

(21) Appl. No.: **29/642,576**

(22) Filed: **Mar. 30, 2018**

* cited by examiner

Related U.S. Application Data

(62) Division of application No. 35/501,135, filed on Dec. 23, 2015 (U.S. filing date under 35 U.S.C. 384), and having an international filing date of Dec. 23, 2015, now Pat. No. Des. 816,823.

Primary Examiner — Michael A. Pratt

(74) *Attorney, Agent, or Firm* — Ostrolenk Faber LLP

(30) **Foreign Application Priority Data**

Jun. 26, 2015	(EM)	002726802-0001
Jun. 26, 2015	(EM)	002726802-0002
Jun. 26, 2015	(EM)	002726802-0003
Jun. 26, 2015	(EM)	002726802-0004
Jun. 26, 2015	(EM)	002726802-0005

(57) **CLAIM**

The ornamental design for air diffuser, as shown and described.

(51) **LOC (12) Cl.** **28-99**

(52) **U.S. Cl.**
USPC **D23/366**

DESCRIPTION

FIG. 1 is a rear view illustration of an air diffuser, according to an aspect of our new design.

FIG. 2 is a top, front, left side perspective view illustration thereof.

FIG. 3 is a front view illustration thereof.

FIG. 4 is a right side view illustration thereof.

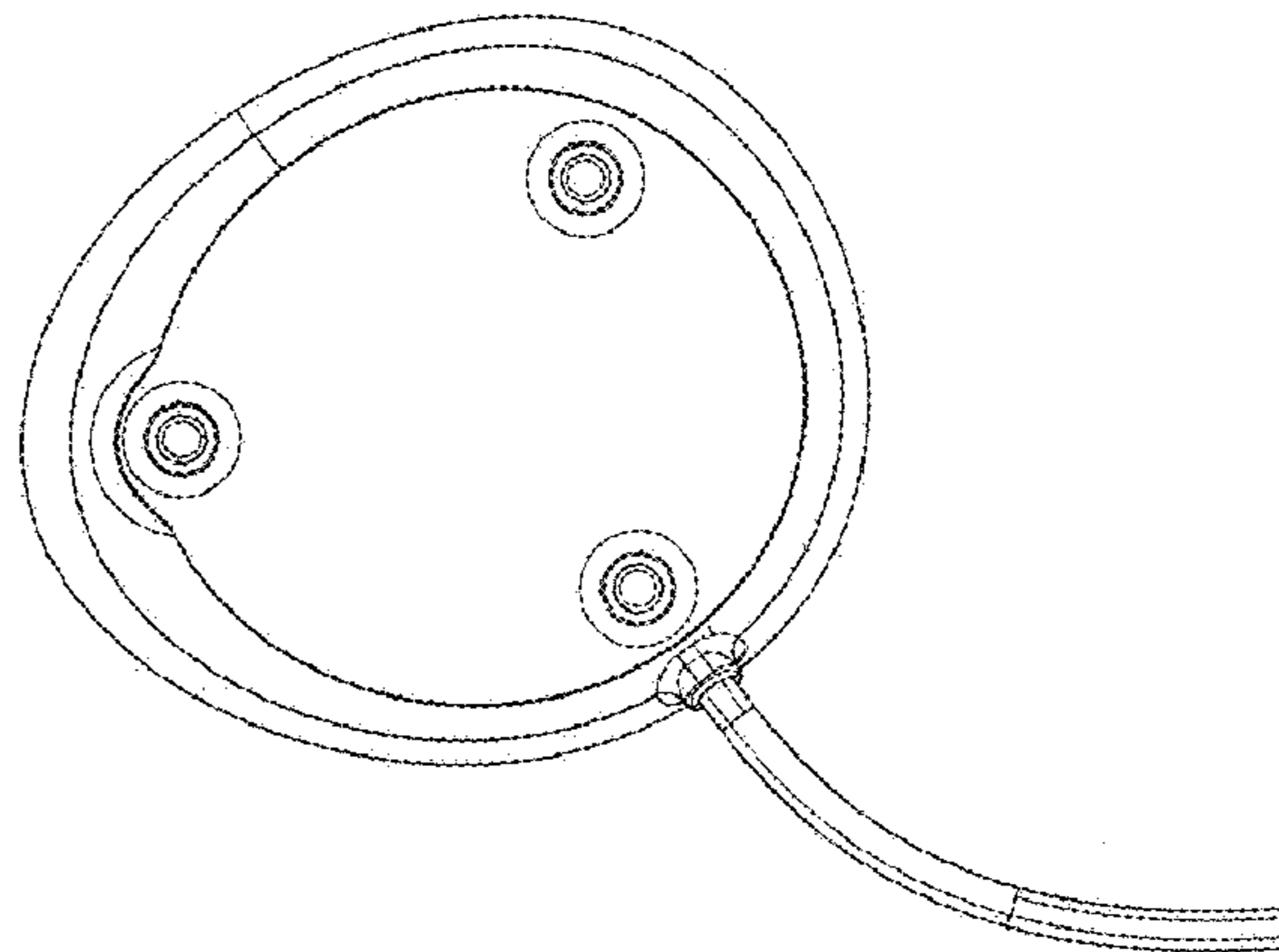
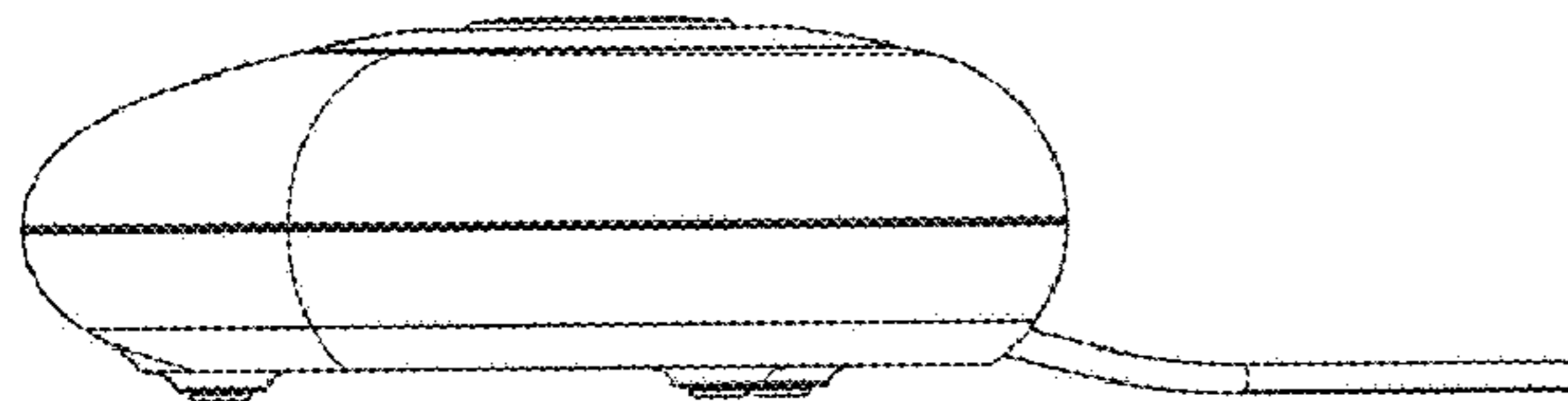
FIG. 5 is a left side view illustration thereof.

FIG. 6 is a bottom view illustration thereof; and,

FIG. 7 is a top view illustration thereof.

(58) **Field of Classification Search**
USPC D23/355-369; D22/119-124

1 Claim, 7 Drawing Sheets



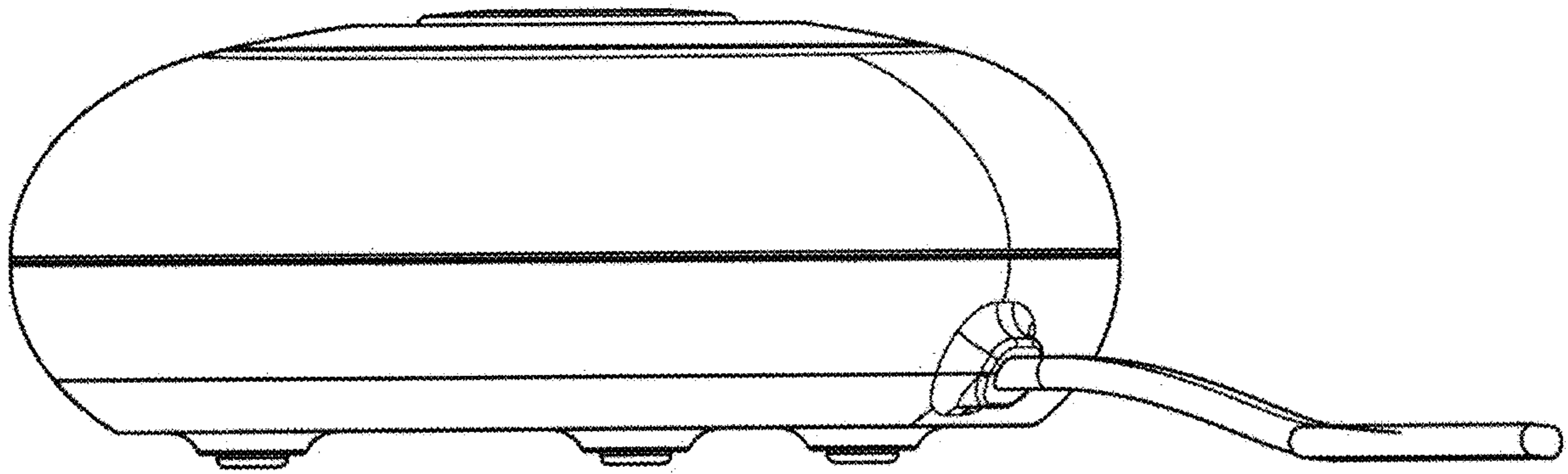


FIG. 1

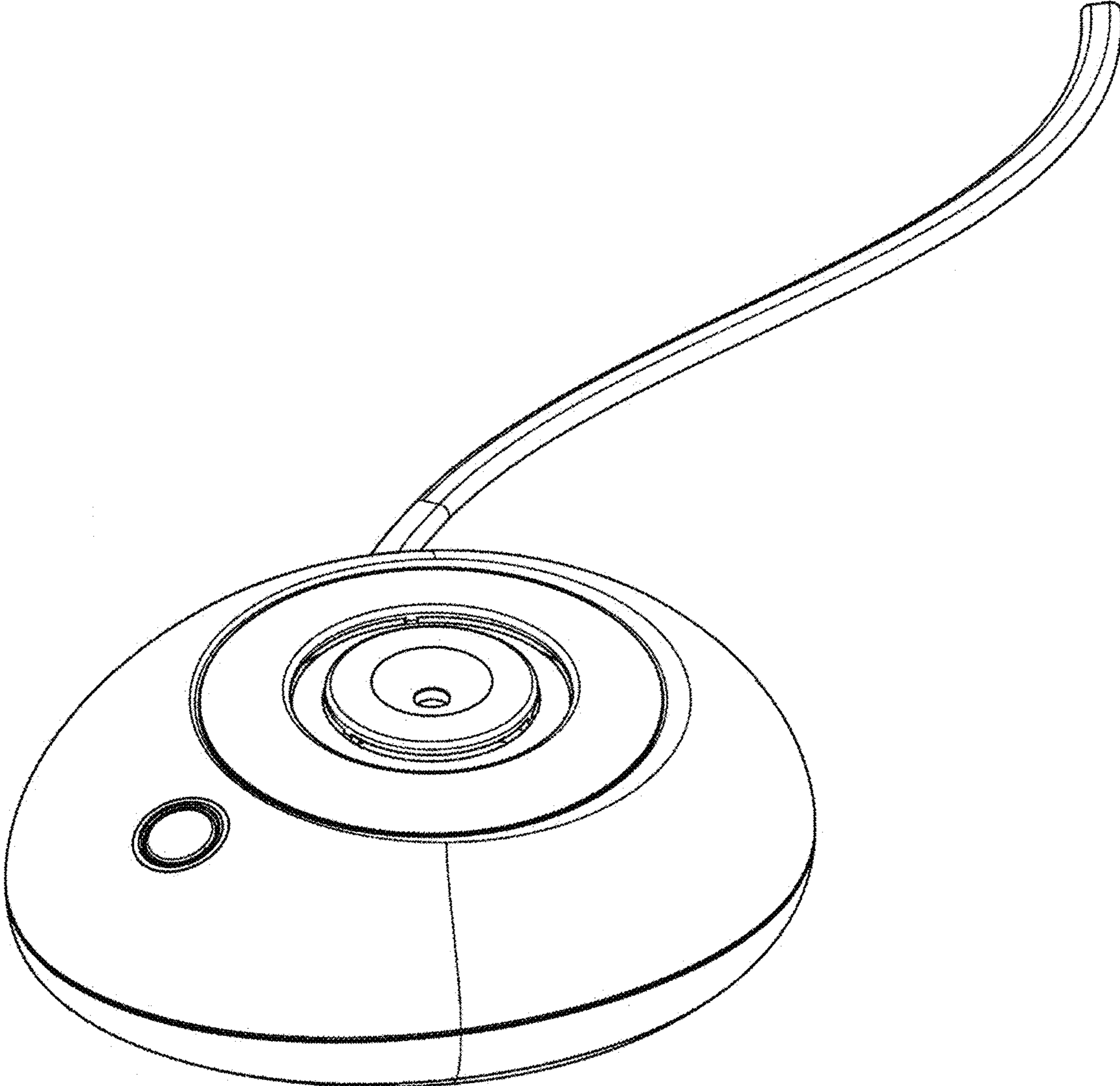


FIG. 2

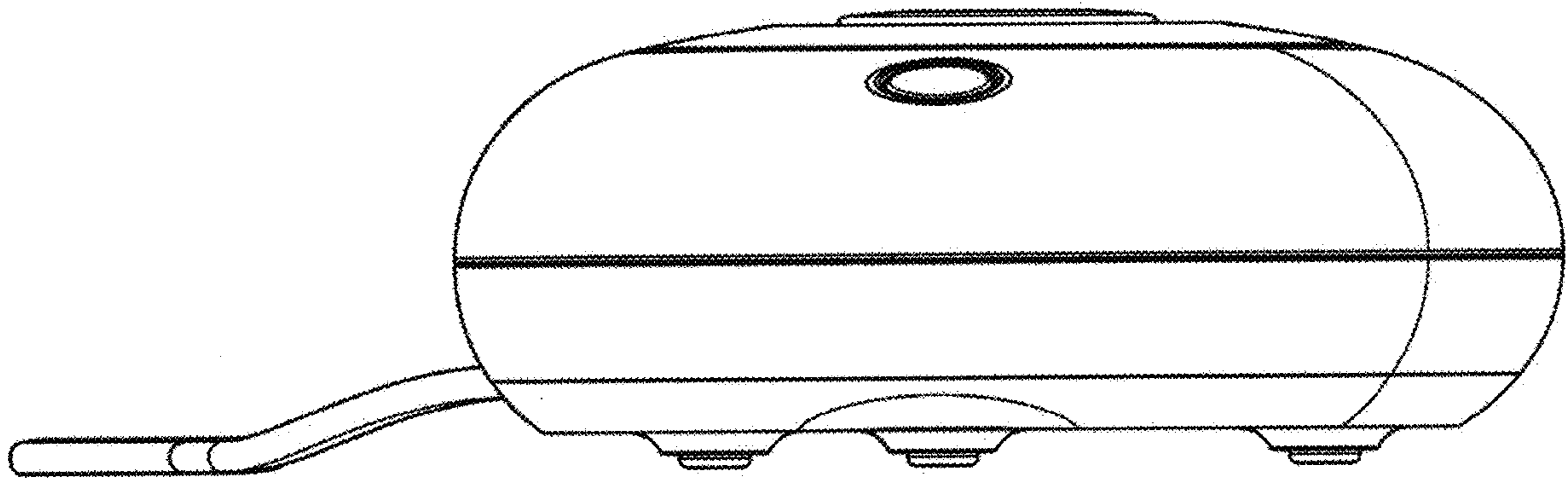


FIG. 3

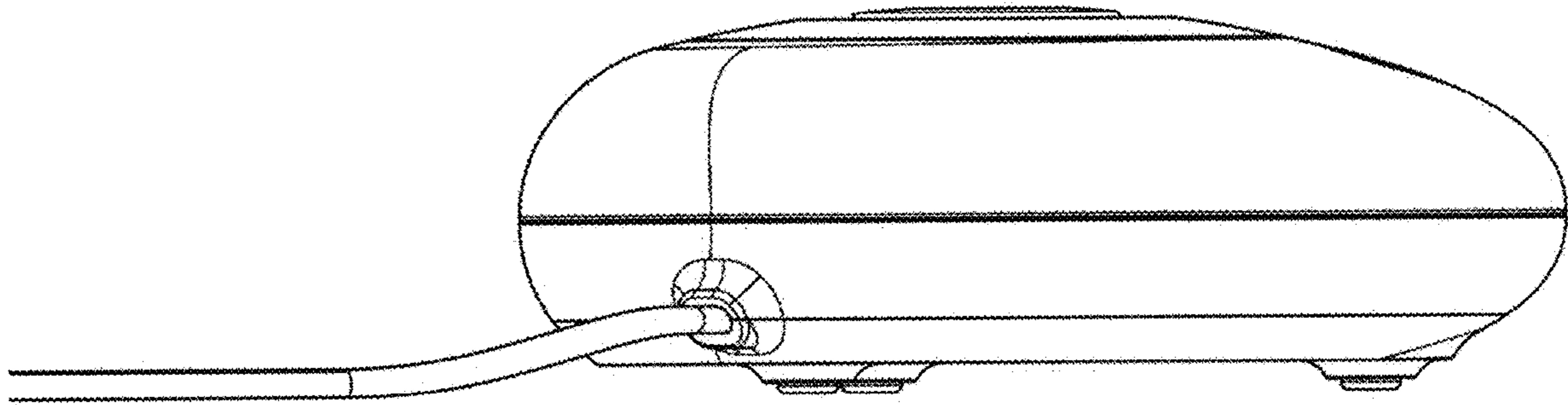


FIG. 4

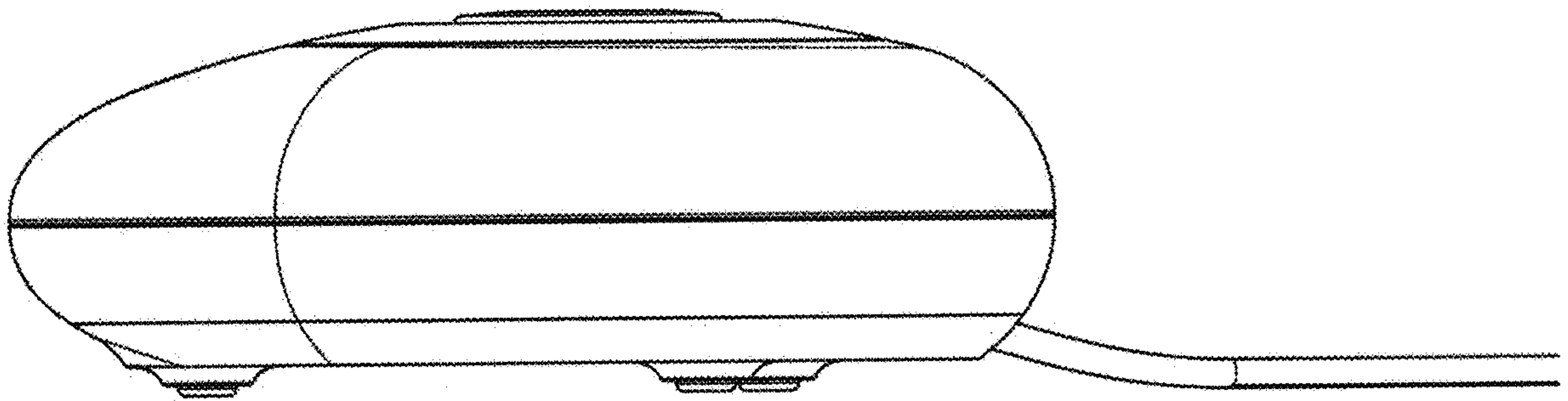


FIG. 5

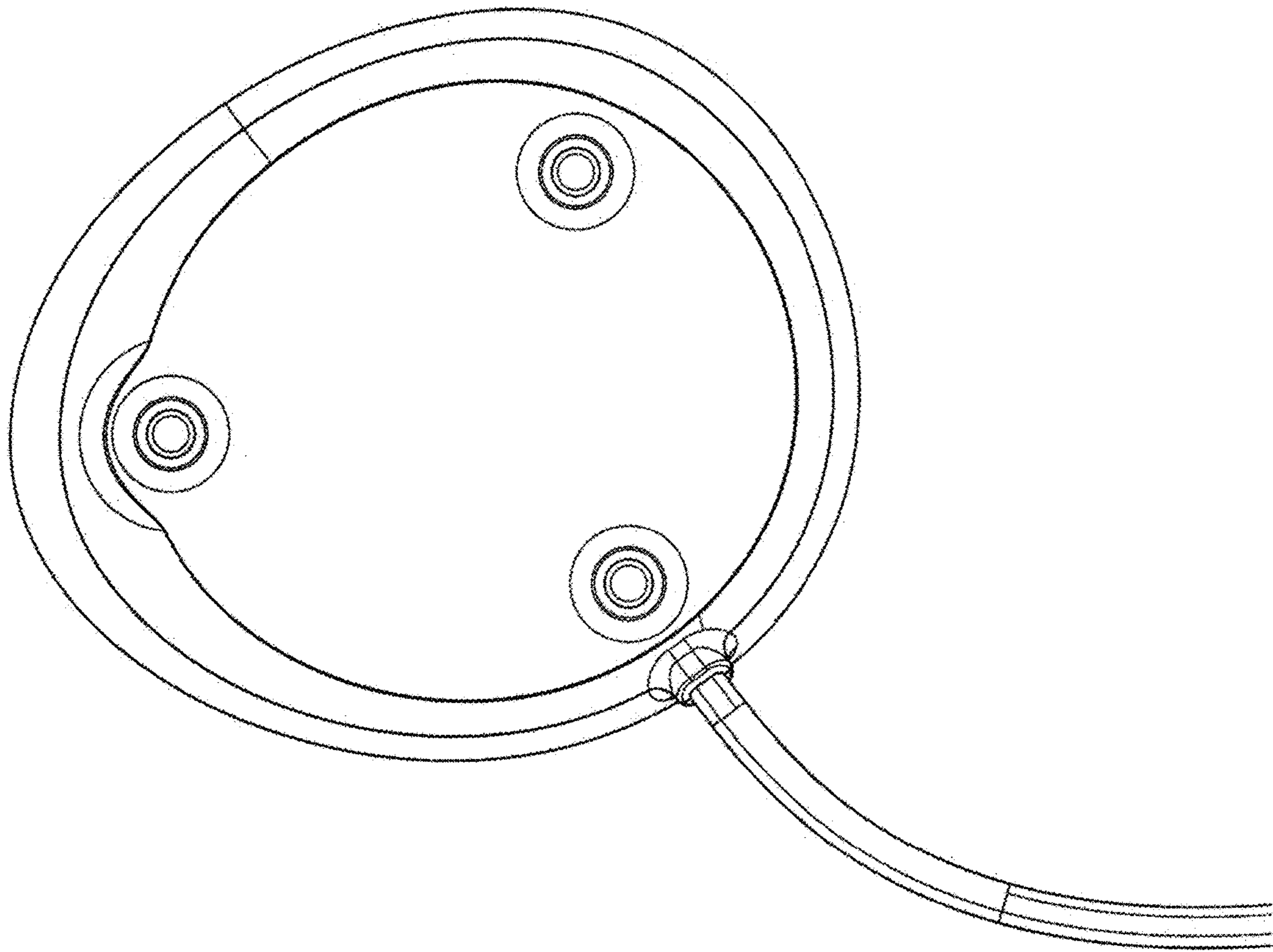


FIG. 6

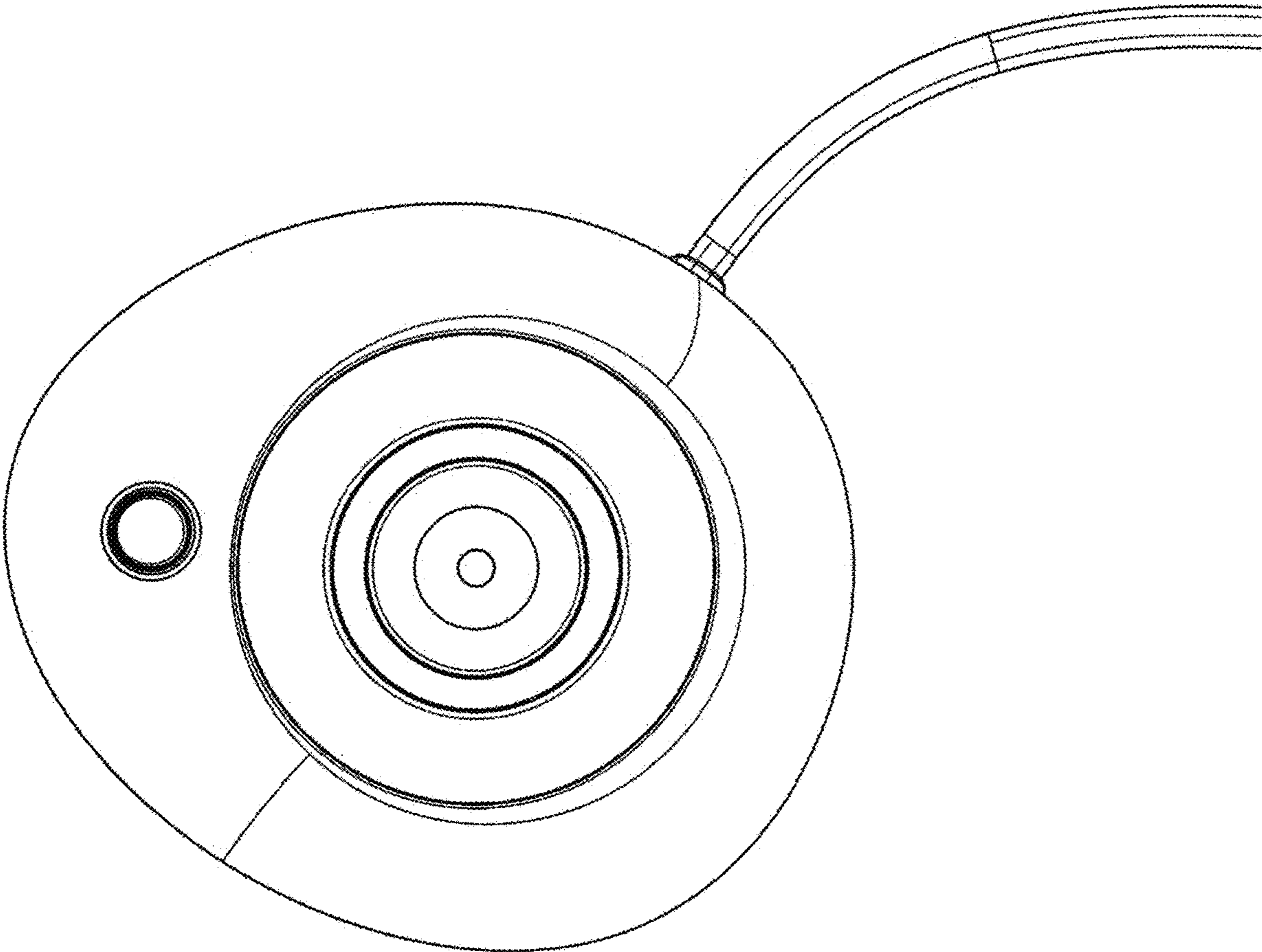


FIG. 7