



US00D869625S

(12) **United States Design Patent** (10) **Patent No.:** **US D869,625 S**
Liu (45) **Date of Patent:** **** Dec. 10, 2019**

(54) **COSTUME SHOWER BASE**

(71) Applicant: **Zhongri Liu**, San Jose, CA (US)

(72) Inventor: **Zhongri Liu**, San Jose, CA (US)

(**) Term: **15 Years**

(21) Appl. No.: **29/658,672**

(22) Filed: **Aug. 1, 2018**

Related U.S. Application Data

(63) Continuation of application No. 15/726,379, filed on Oct. 5, 2017, now Pat. No. 10,299,635.

(51) **LOC (12) Cl.** **23-02**

(52) **U.S. Cl.**
USPC **D23/304**

(58) **Field of Classification Search**
USPC D23/283, 303-304

(Continued)

(56) **References Cited**

U.S. PATENT DOCUMENTS

D354,117 S * 1/1995 Nations D23/283
D363,342 S * 10/1995 Dannenberg D23/283

(Continued)

Primary Examiner — Robert A Delehanty

(74) *Attorney, Agent, or Firm* — Tran & Associates

(57) **CLAIM**

The ornamental design for a costume shower base, as shown and described.

DESCRIPTION

FIG. 1 shows a perspective view of a first embodiment of a costume shower base.

FIG. 2 shows a cross-sectional view of FIG. 1.

FIG. 3 shows a top view of the costume shower base of FIG. 1, while FIG. 4 shows a bottom view of the costume shower base of FIG. 1.

FIG. 5 shows a front/back view of the costume shower base of FIG. 1, while FIG. 6 shows a side view of the costume shower base.

FIG. 7 shows a perspective view of a second embodiment of a costume shower base.

FIG. 8 shows a cross-sectional view of FIG. 7.

FIG. 9 shows a top view of the costume shower base of FIG. 7, while FIG. 10 shows a bottom view of the costume shower base of FIG. 7.

FIG. 11 shows a front/back view of the costume shower base of FIG. 7, while FIG. 12 shows a side view of the costume shower base.

FIG. 13 shows a perspective view of a third embodiment of a costume shower base.

FIG. 14 shows a cross-sectional view of FIG. 13.

FIG. 15 shows a top view of the costume shower base of FIG. 13, while FIG. 16 shows a bottom view of the costume shower base of FIG. 13.

FIG. 17 shows a front/back view of the costume shower base of FIG. 13, while FIG. 18 shows a side view of the costume shower base.

FIG. 19 shows a perspective view of a fourth embodiment of a costume shower base.

FIG. 20 shows a cross-sectional view of FIG. 19.

FIG. 21 shows a top view of the costume shower base of FIG. 19, while FIG. 22 shows a bottom view of the costume shower base of FIG. 19.

FIG. 23 shows a front/back view of the costume shower base of FIG. 19, while FIG. 24 shows a side view of the costume shower base.

FIG. 25 shows a perspective view of a fifth embodiment of a costume shower base.

FIG. 26 shows a cross-sectional view of FIG. 25.

FIG. 27 shows a top view of the costume shower base of FIG. 25, while FIG. 28 shows a bottom view of the costume shower base of FIG. 25.

FIG. 29 shows a front view of the costume shower base.

FIG. 30 shows a back view of the costume shower base.

FIG. 31 shows a left-side view of the costume shower base.

FIG. 32 shows a right-side view of the costume shower base.

(Continued)

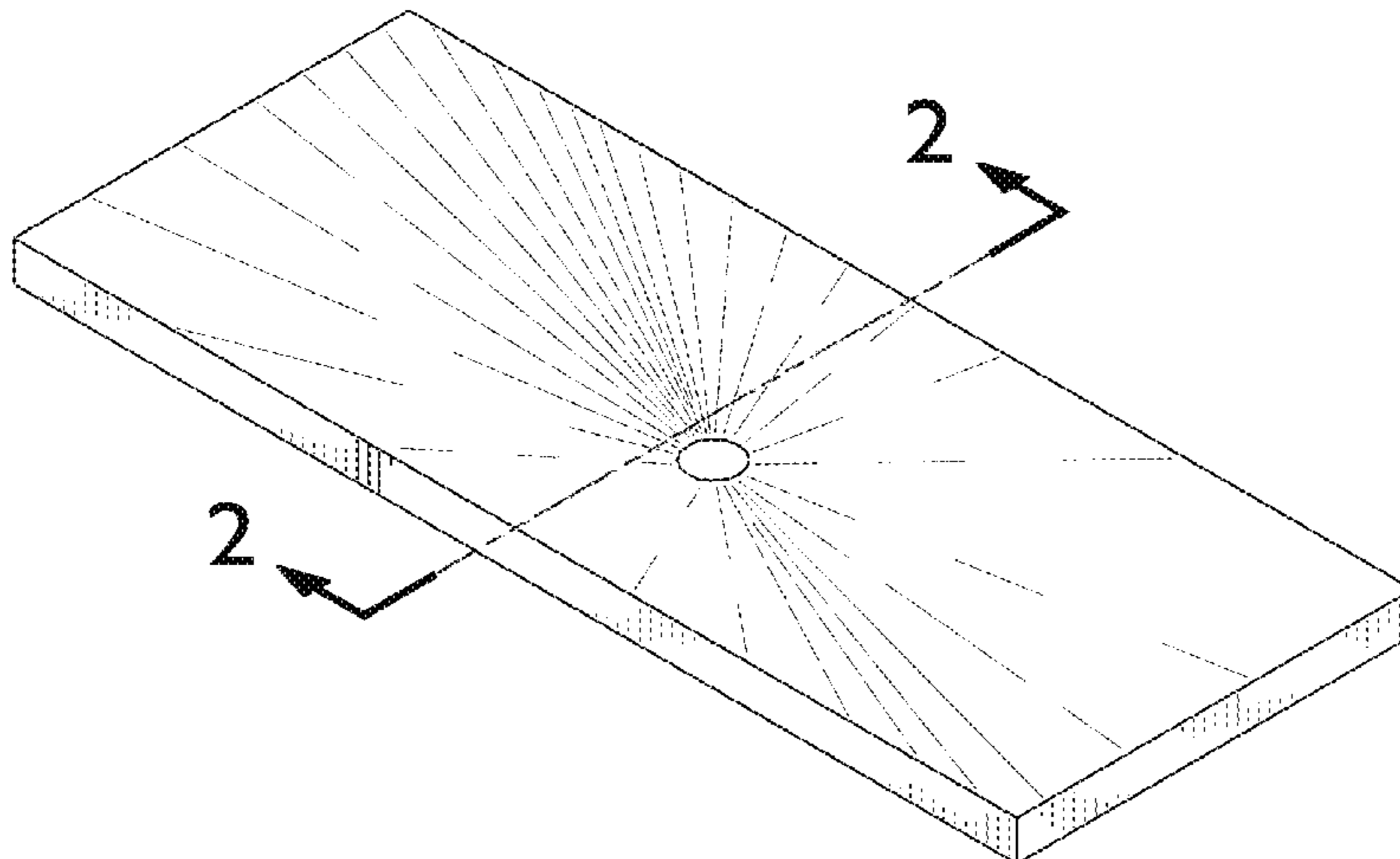


FIG. 33 shows a perspective view of a sixth embodiment of a costume shower base.

FIG. 34 shows a cross-sectional view of FIG. 33.

FIG. 35 shows a top view of the costume shower base of FIG. 33, while FIG. 36 shows a bottom view of the costume shower base of FIG. 33.

FIG. 37 shows a front view of the costume shower base.

FIG. 38 shows a back view of the costume shower base.

FIG. 39 shows a left-side view of the costume shower base.

FIG. 40 shows a right-side view of the costume shower base.

FIG. 41 shows a perspective view of a seventh embodiment of a costume shower base.

FIG. 42 shows a cross-sectional view of FIG. 41.

FIG. 43 shows a top view of the costume shower base of FIG. 41, while FIG. 44 shows a bottom view of the costume shower base of FIG. 41.

FIG. 45 shows a front/back view of the costume shower base of FIG. 41, while FIG. 46 shows a side view of the costume shower base.

FIG. 47 shows a perspective view of an eight embodiment of a costume shower base.

FIG. 48 shows a cross-sectional view of FIG. 47.

FIG. 49 shows a top view of the costume shower base of FIG. 47, while FIG. 50 shows a bottom view of the costume shower base of FIG. 47.

FIG. 51 shows a front/back view of the costume shower base of FIG. 47, while FIG. 52 shows a side view of the costume shower base.

FIG. 53 shows exemplary perspective view of FIGS. 1-12, while FIG. 54 shows a cross-sectional view of FIG. 60, where a waterproofing liner shown as dashed lines is disclaimed from the design.

FIG. 55 shows exemplary perspective view of FIGS. 13-24, while FIG. 56 shows a cross-sectional view of FIG. 62, where a waterproofing liner shown as dashed lines is disclaimed from the design.

FIG. 57 shows exemplary perspective view of FIGS. 25-40, while FIG. 58 shows a cross-sectional view of FIG. 57, where a waterproofing liner shown as dashed lines is disclaimed from the design; and,

FIG. 59 shows exemplary perspective view of FIGS. 41-52, while FIG. 60 shows a cross-sectional view of FIG. 59, where a waterproofing liner shown as dashed lines is disclaimed from the design.

1 Claim, 16 Drawing Sheets

(58) **Field of Classification Search**

CPC A47K 3/40; A47K 3/405; A47K 3/004;
A47K 3/28

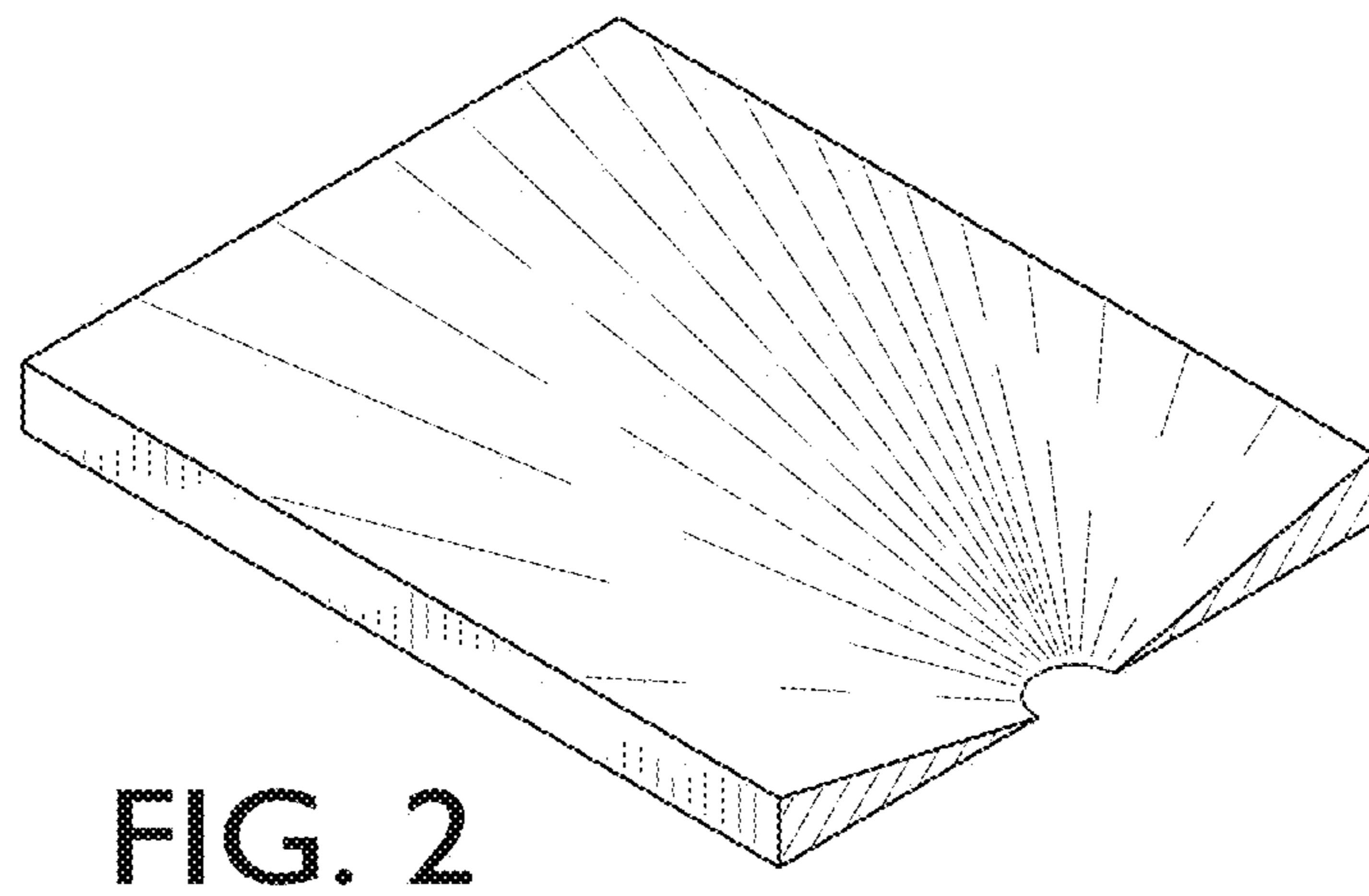
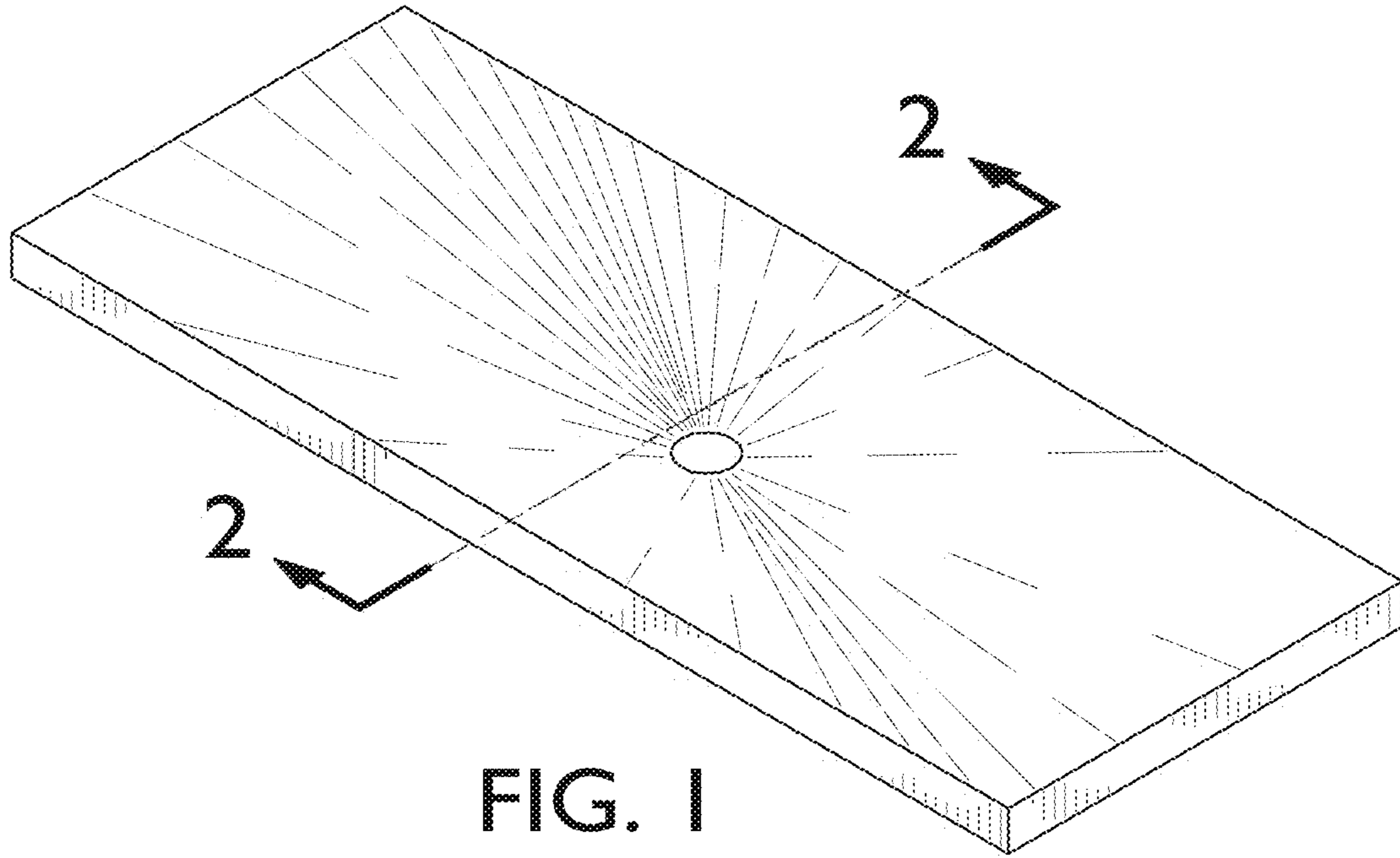
See application file for complete search history.

(56) **References Cited**

U.S. PATENT DOCUMENTS

5,778,464	A *	7/1998	Chapple	A47K 3/008 4/584
6,003,169	A *	12/1999	Davis, Jr.	A47K 3/40 4/584
D495,787	S *	9/2004	Helmetsie	D23/283
7,007,315	B2 *	3/2006	Stonecipher	A47K 3/40 4/613
D533,260	S *	12/2006	Bhate	D23/283
D672,850	S *	12/2012	Adams	D23/304
8,869,321	B2 *	10/2014	Donnelly	A47K 3/40 4/613
9,179,807	B2 *	11/2015	Campbell	A47K 3/40
9,895,032	B2 *	2/2018	Iannucci	A47K 3/405
D836,758	S *	12/2018	Rocandio Mazagatos ..	D23/304
10,299,635	B2 *	5/2019	Liu	A47K 3/40
2004/0205890	A1 *	10/2004	Smale	A47K 3/40 4/613
2004/0237187	A1 *	12/2004	Stonecipher	A47K 3/40 4/613
2011/0197354	A1 *	8/2011	Wedi	A47K 3/40 4/613
2013/0061388	A1 *	3/2013	Lebrun	A47K 3/40 4/613
2017/0326615	A1 *	11/2017	Roy	A47K 3/40

* cited by examiner



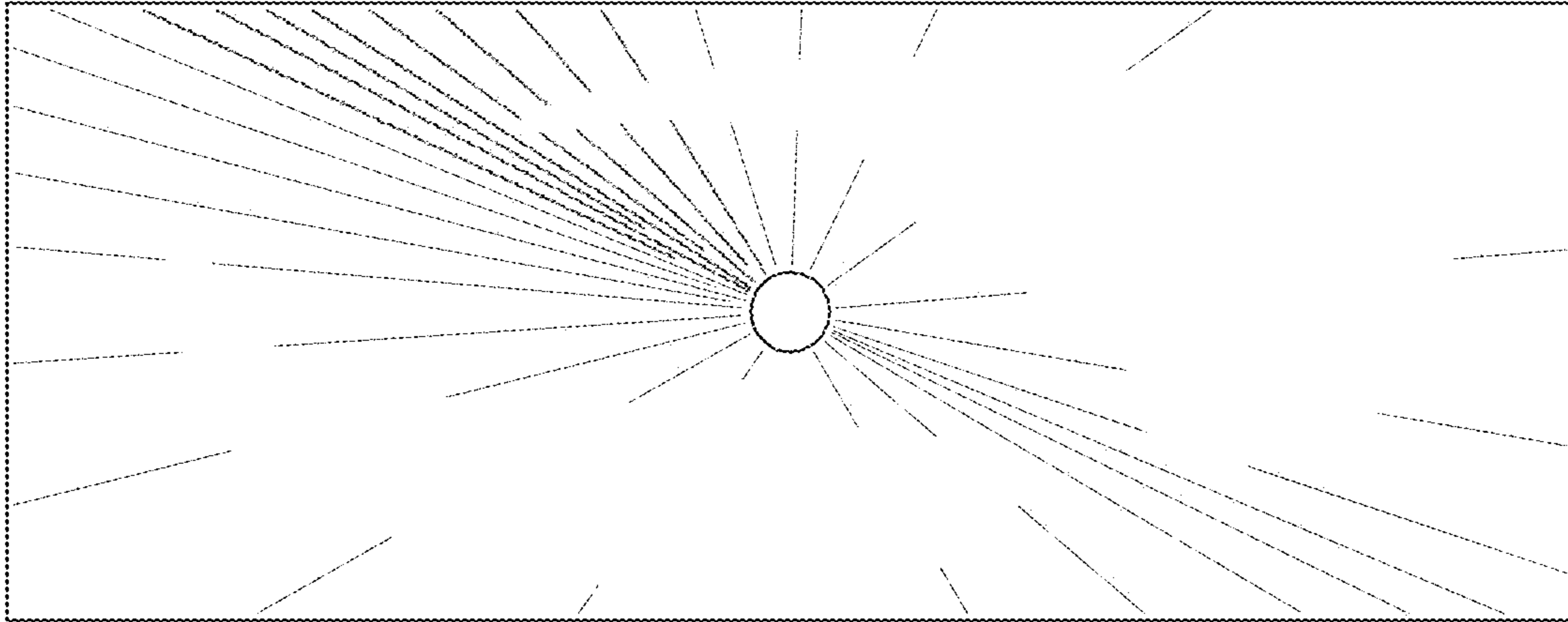


FIG. 3

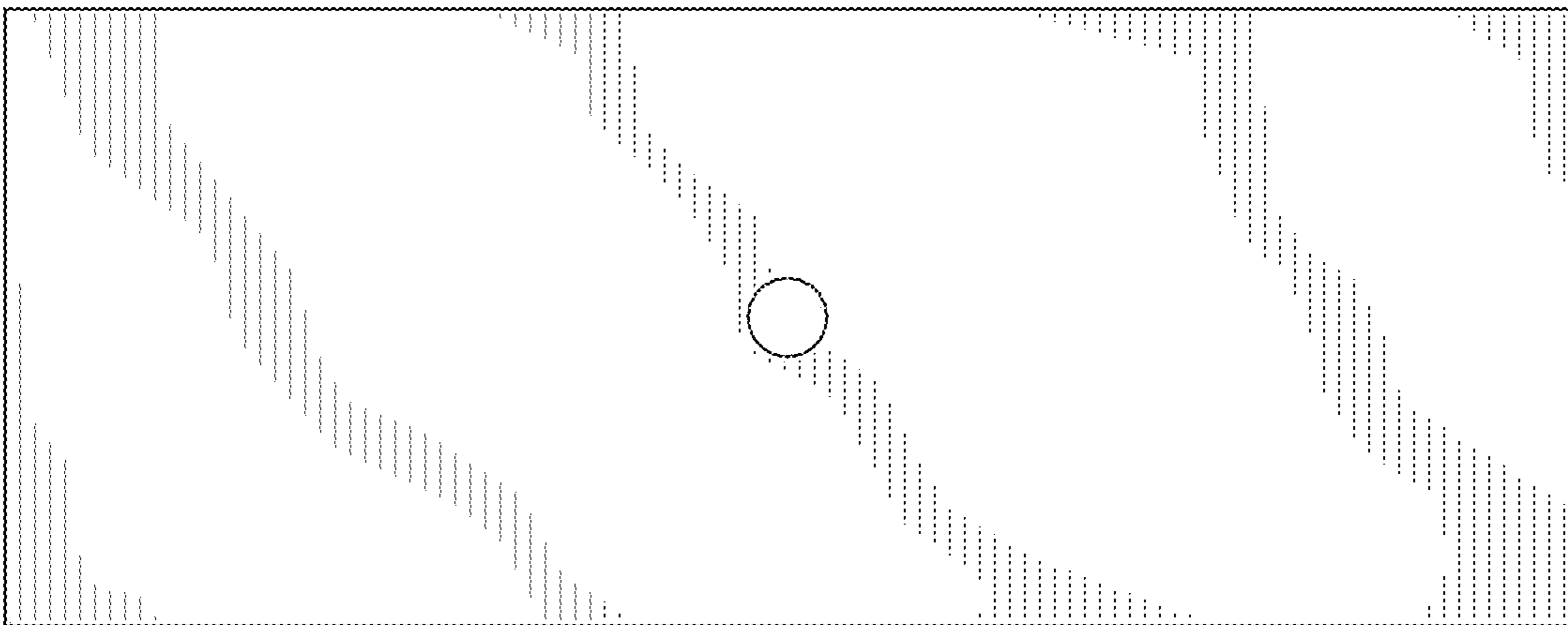


FIG. 4



FIG. 5

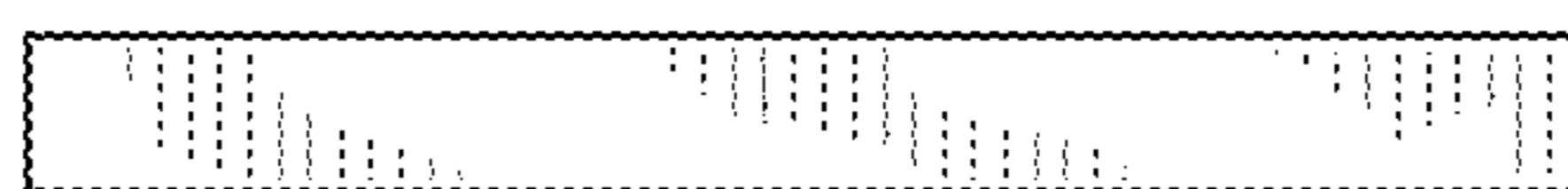
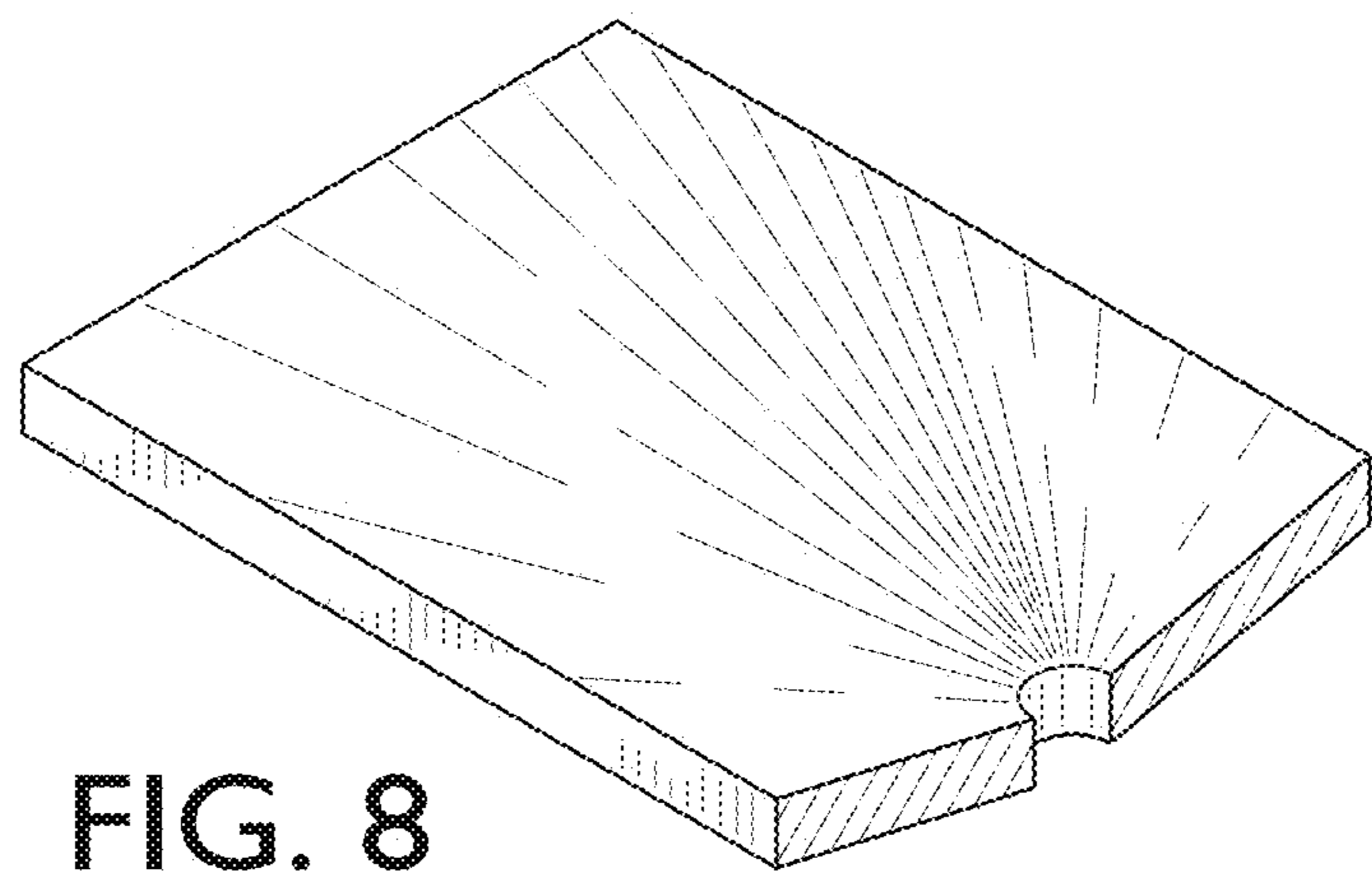
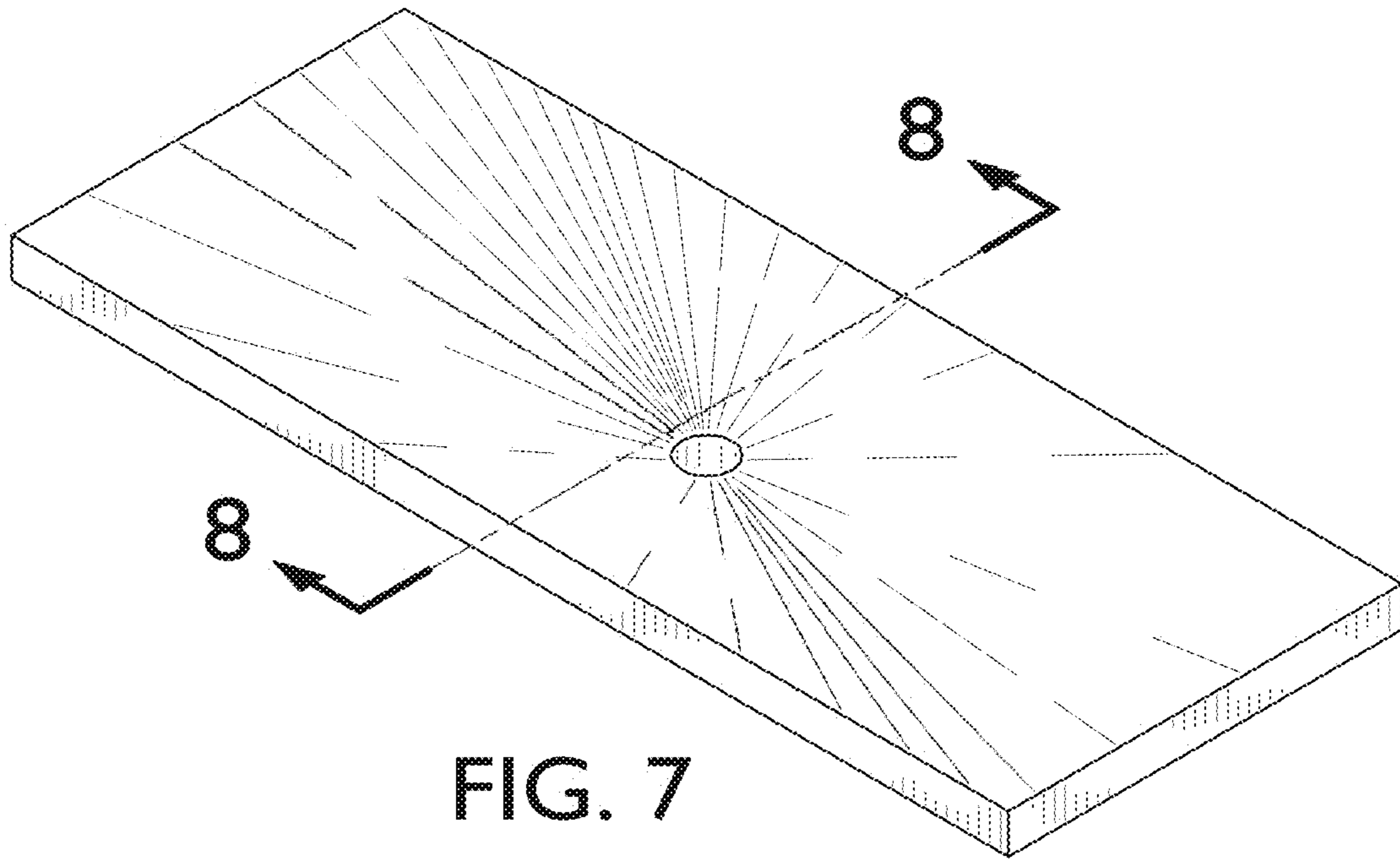


FIG. 6



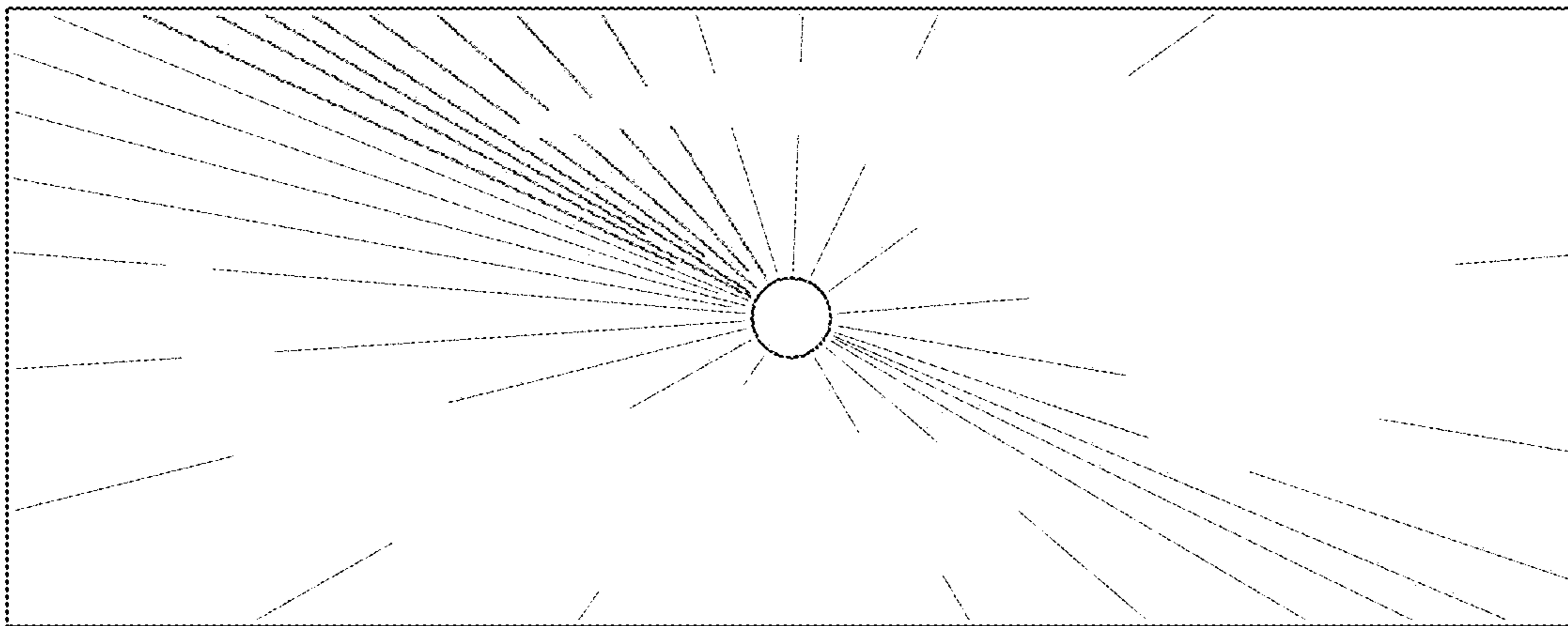


FIG. 9

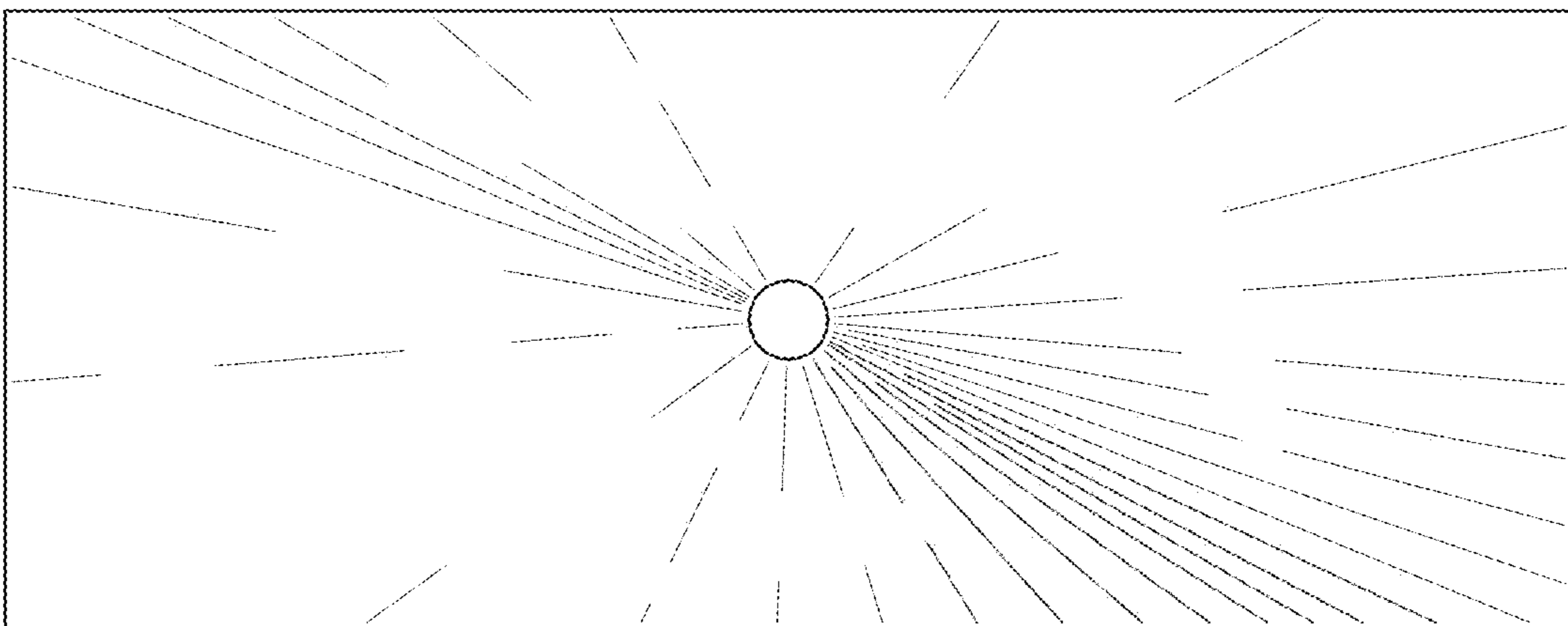


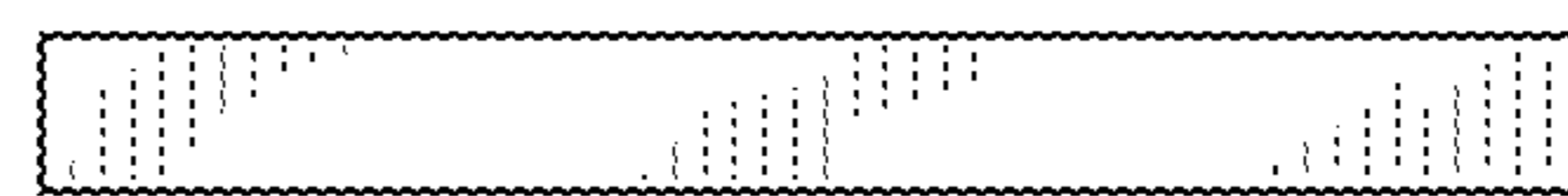
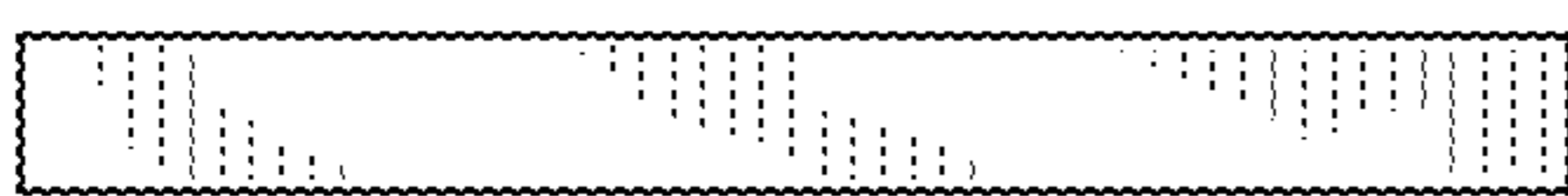
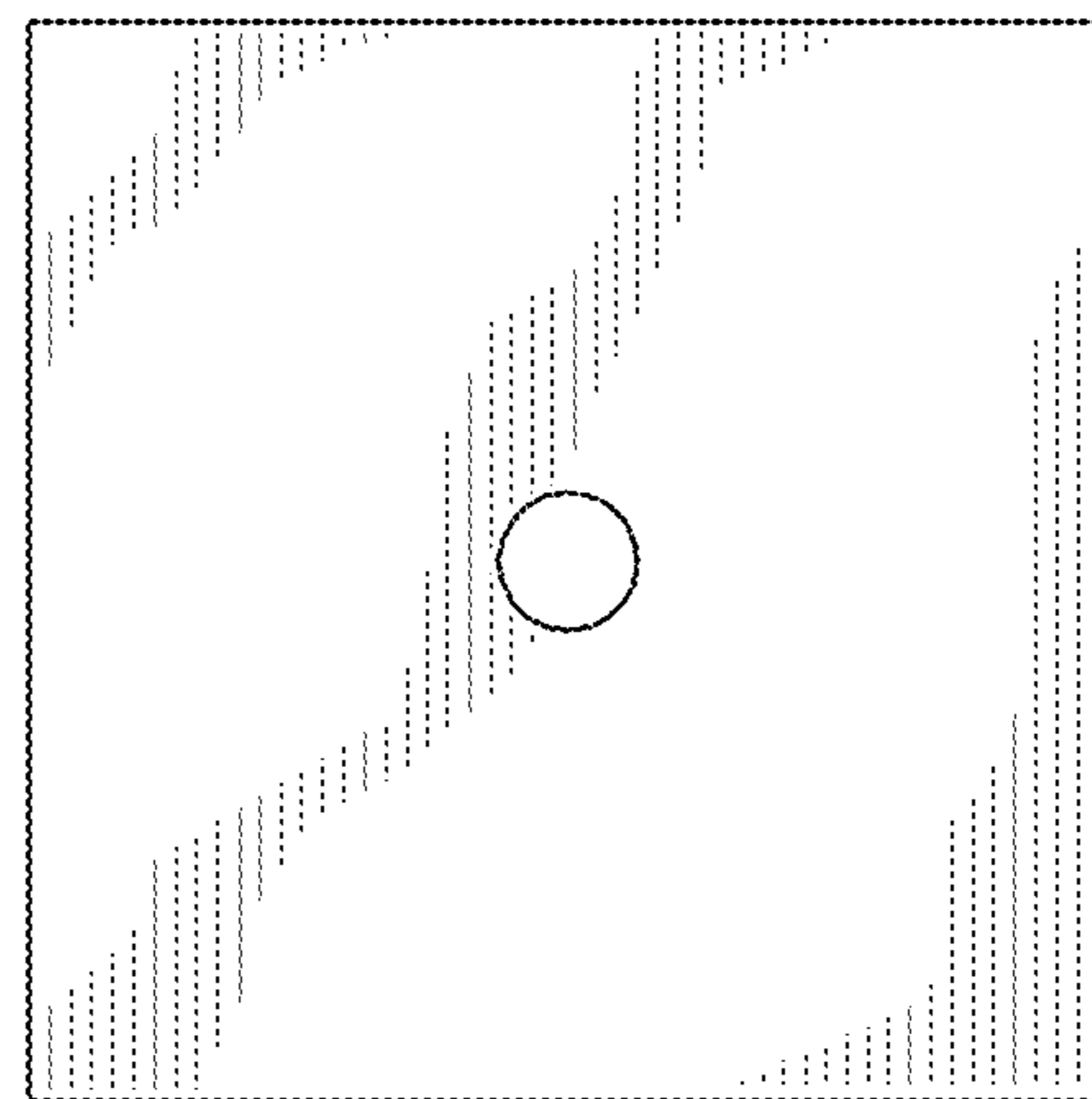
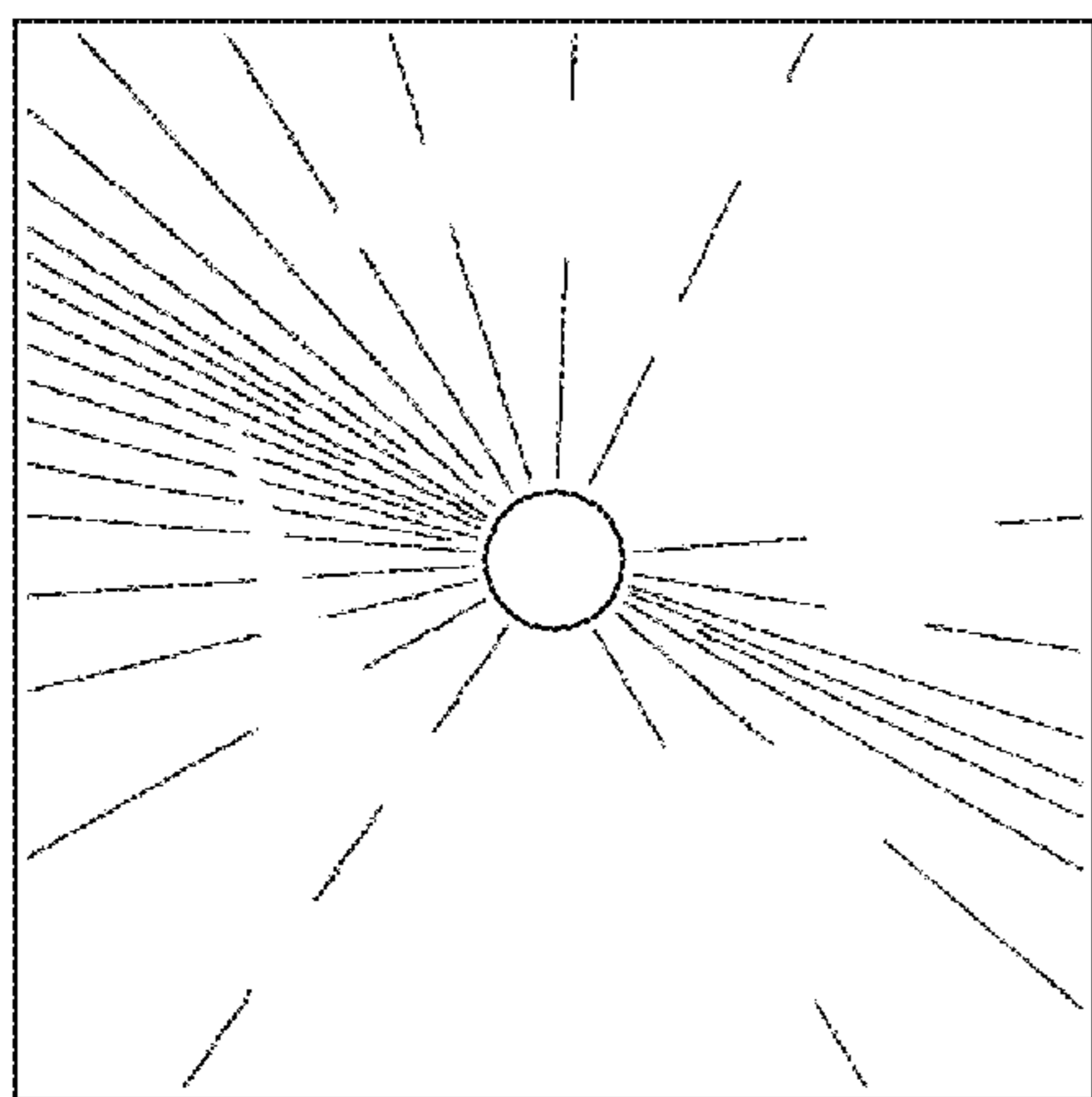
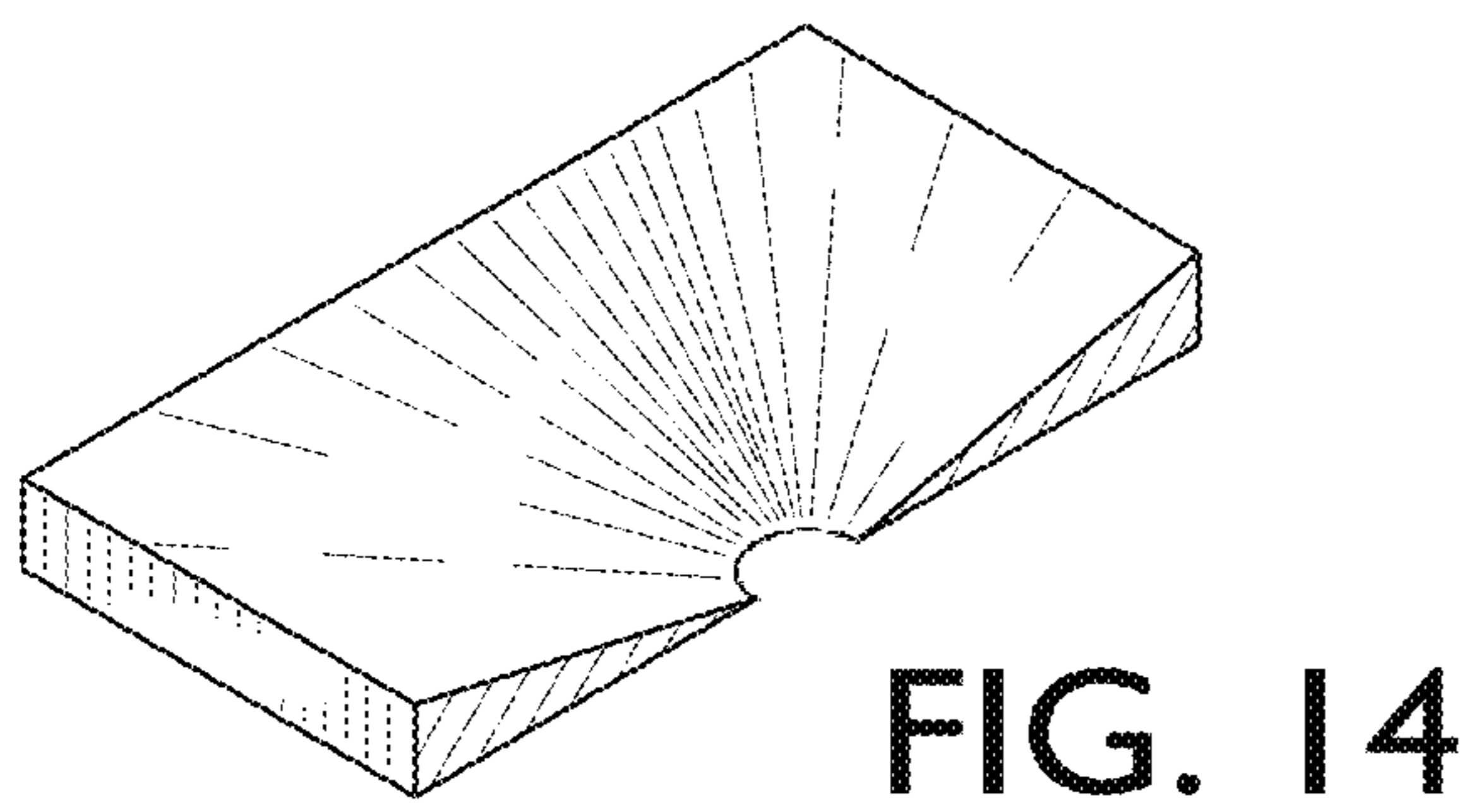
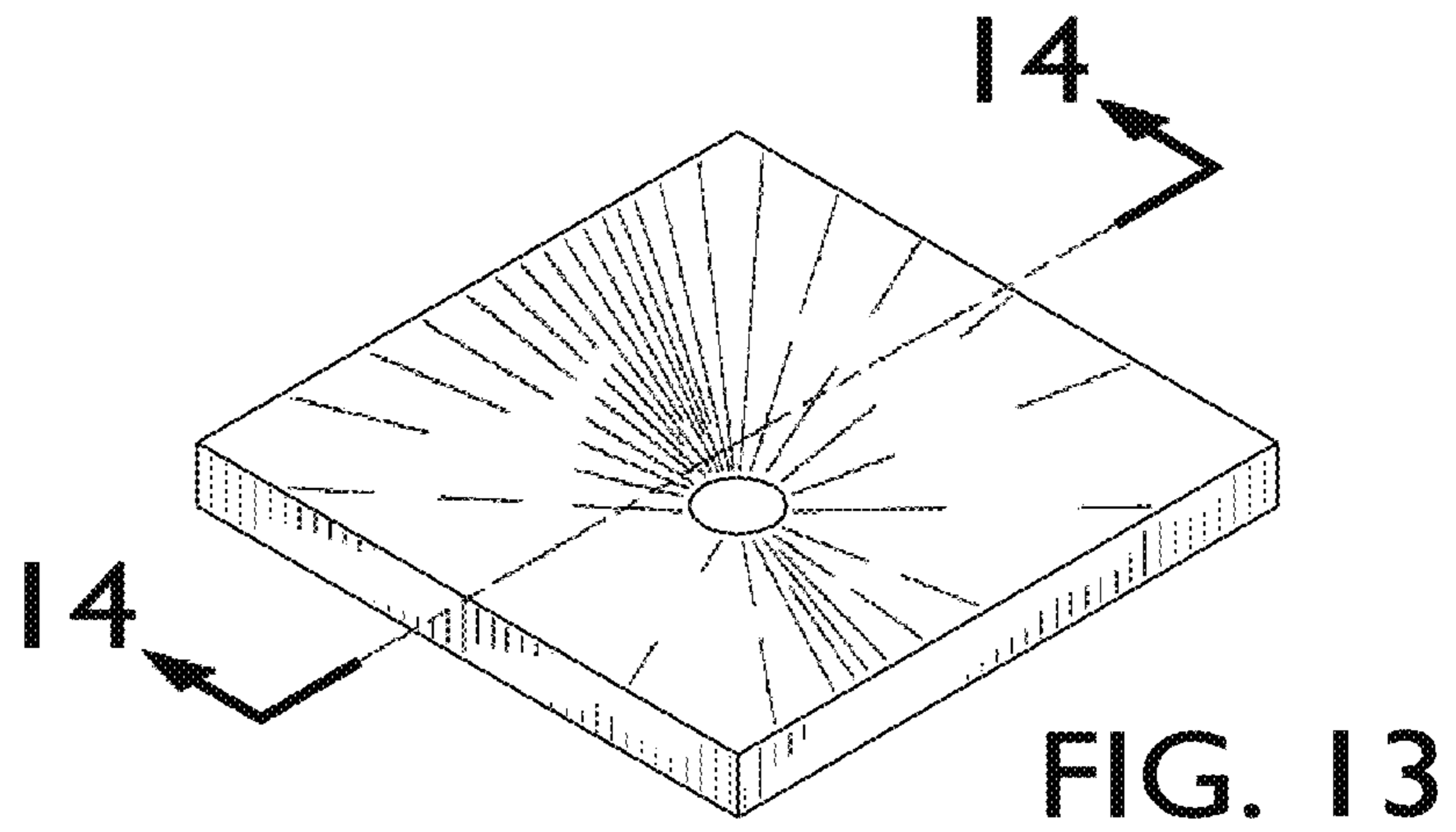
FIG. 10

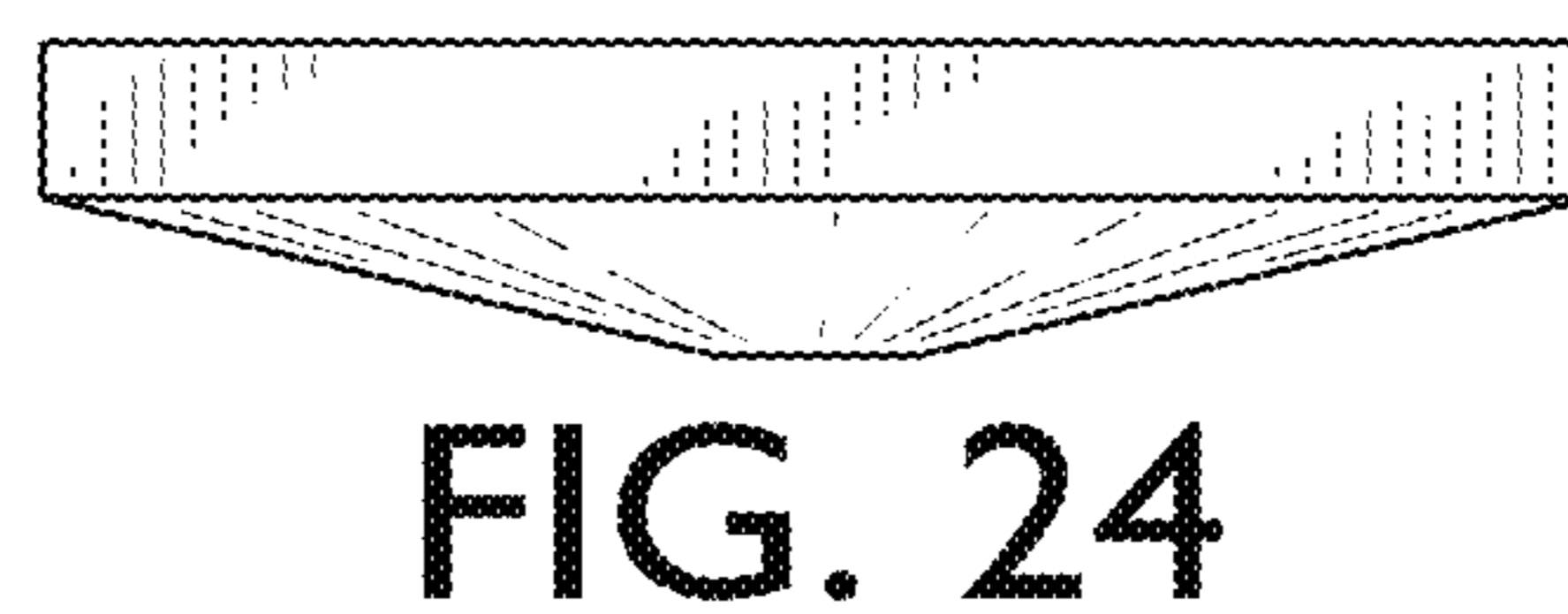
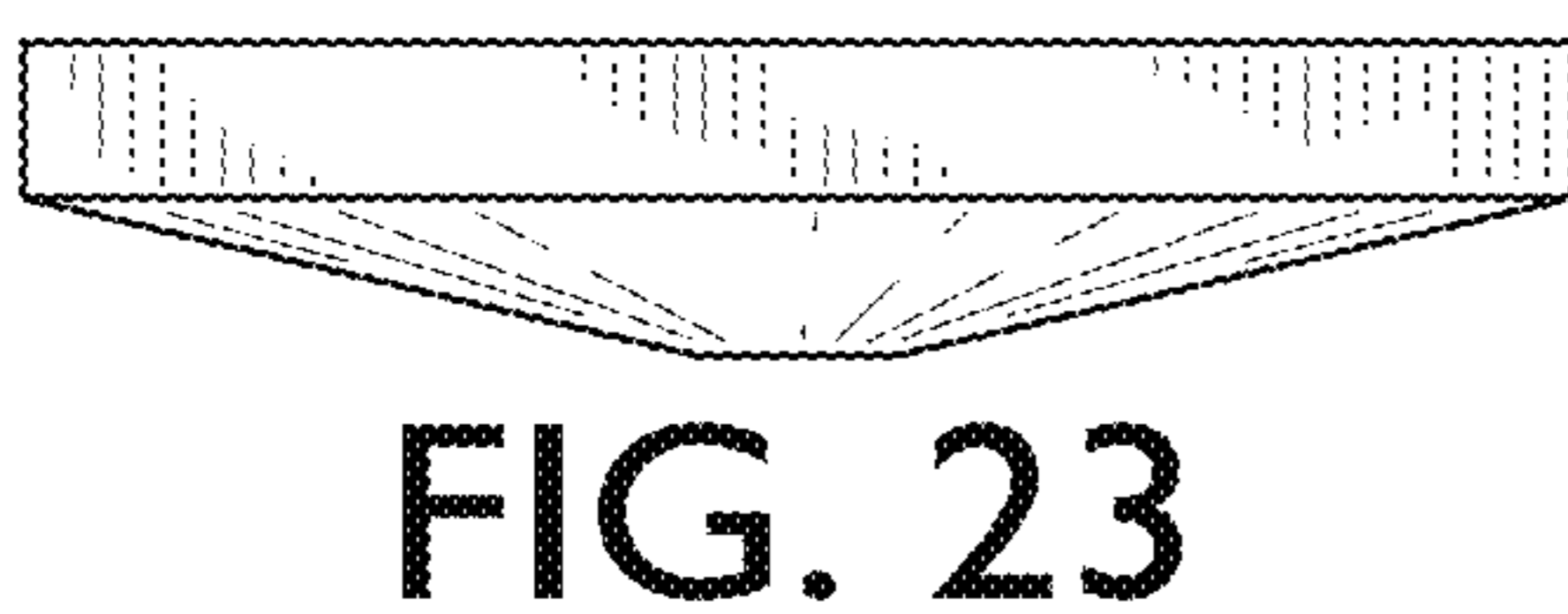
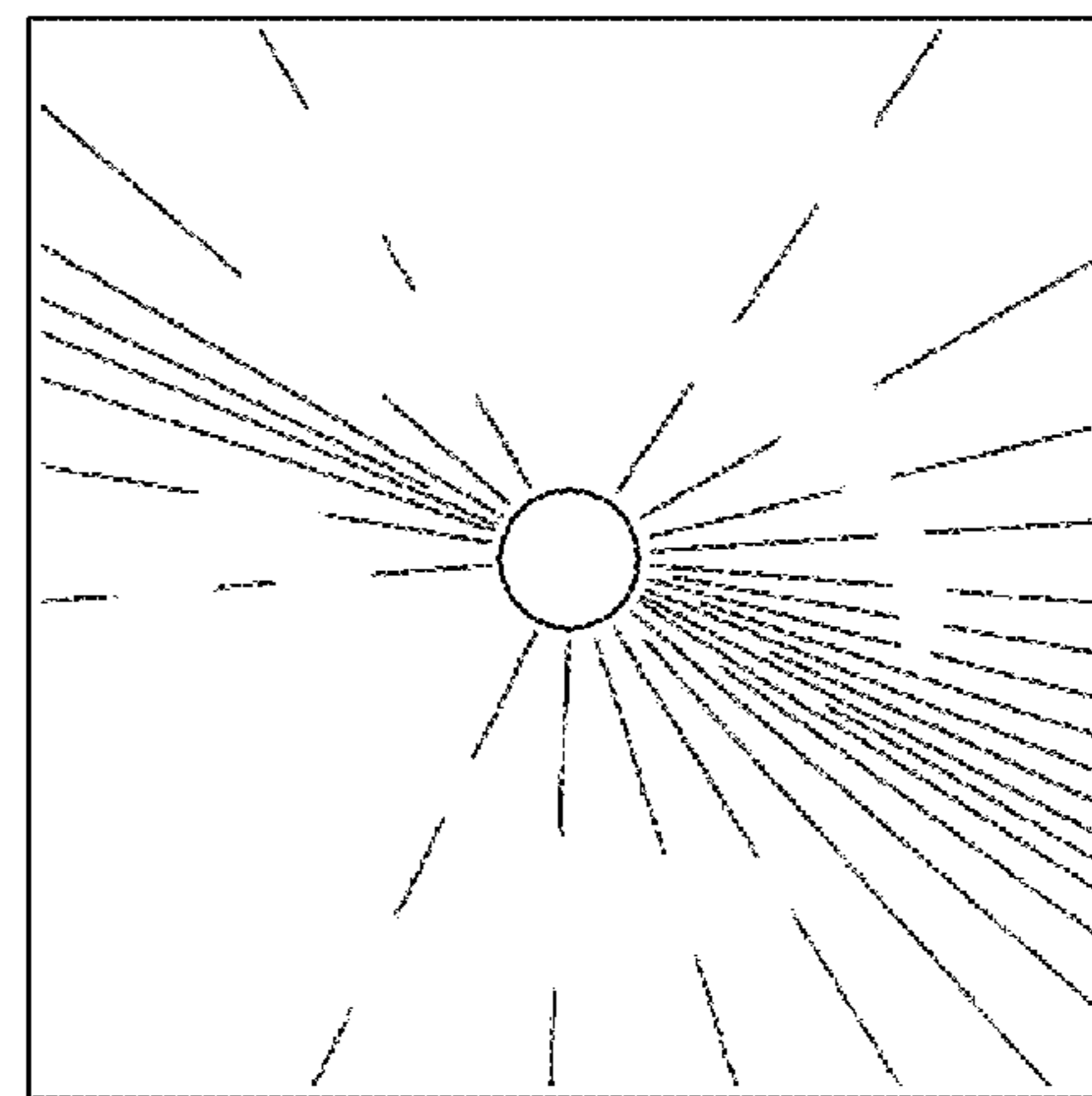
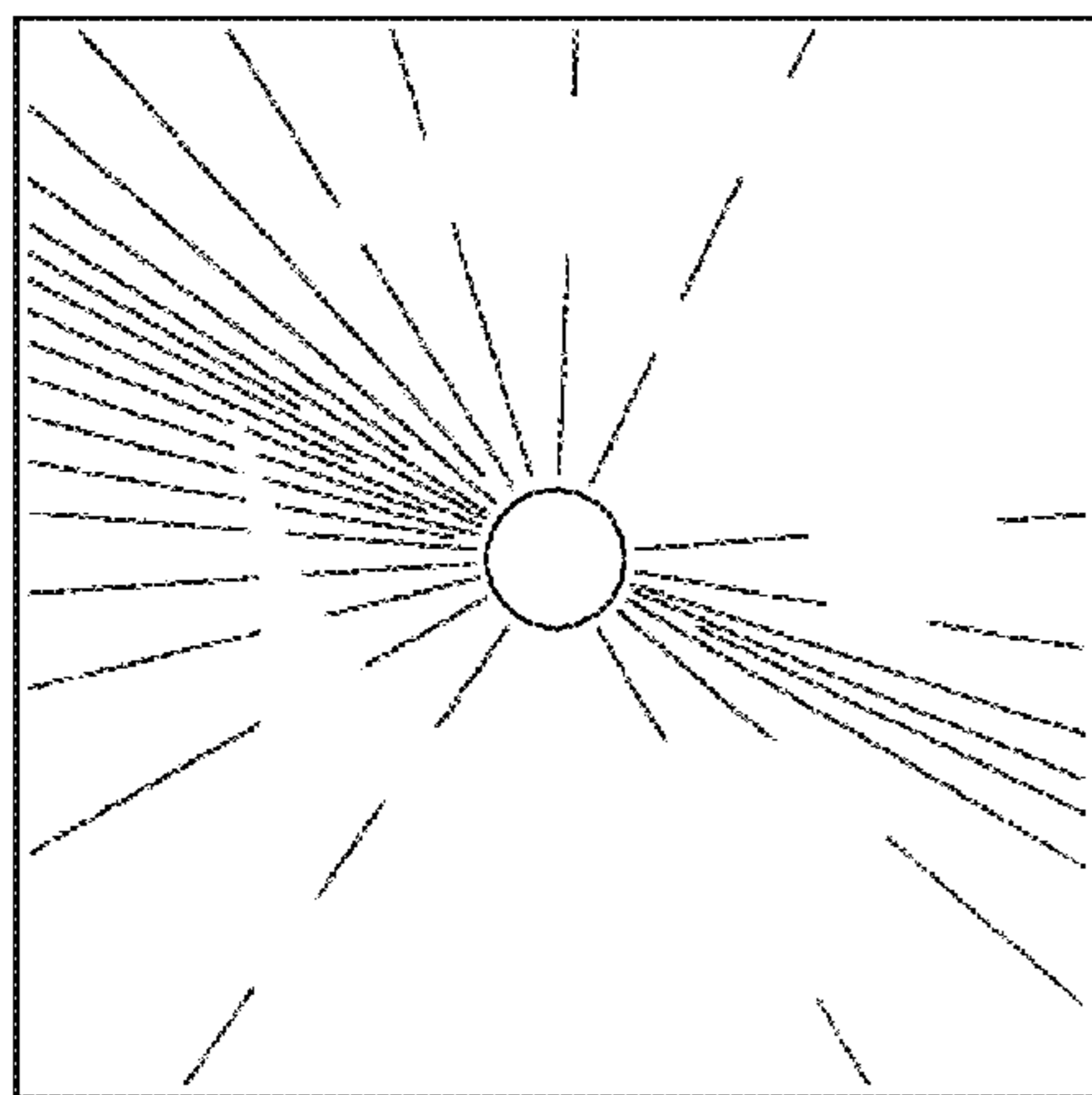
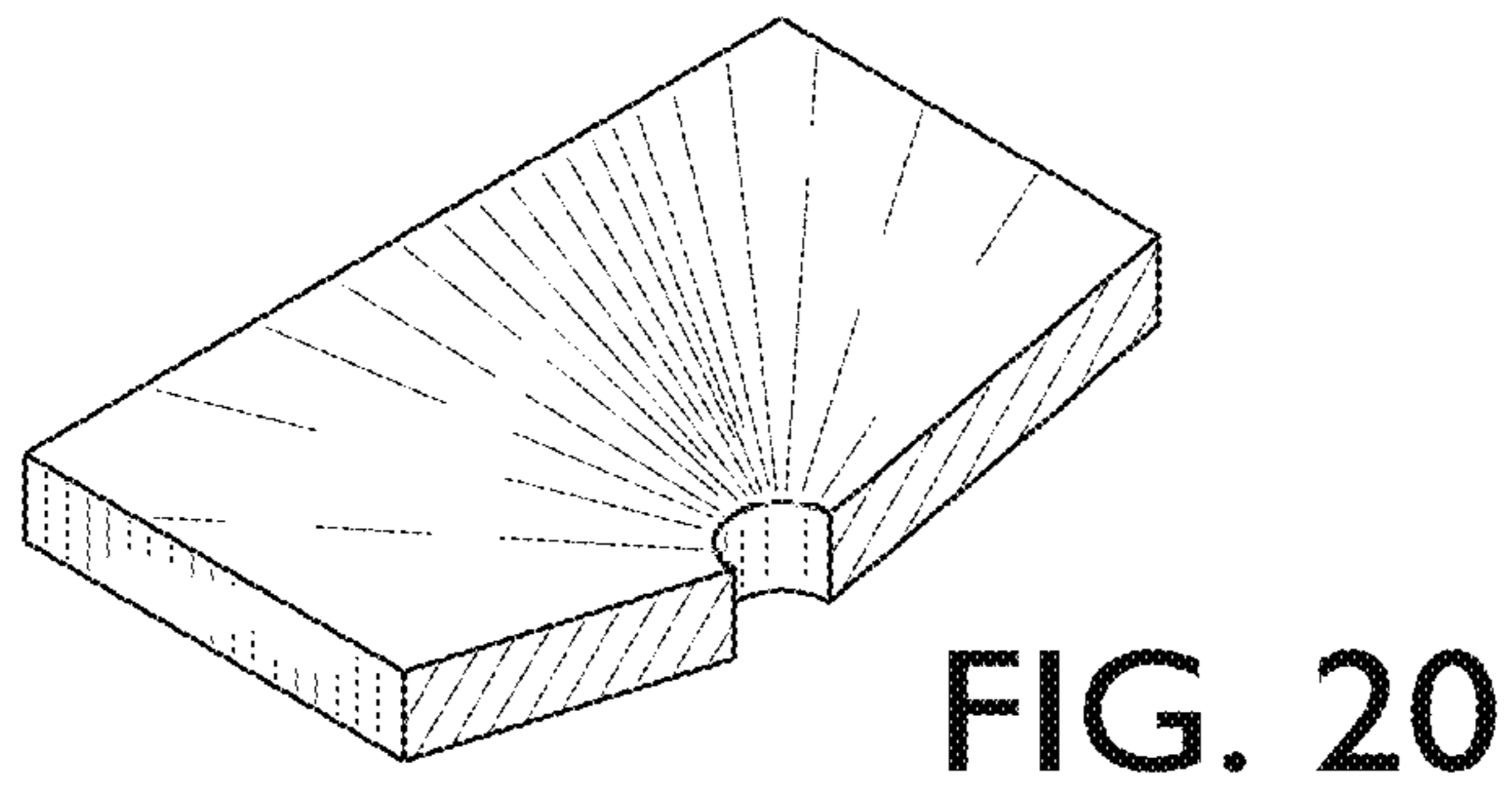
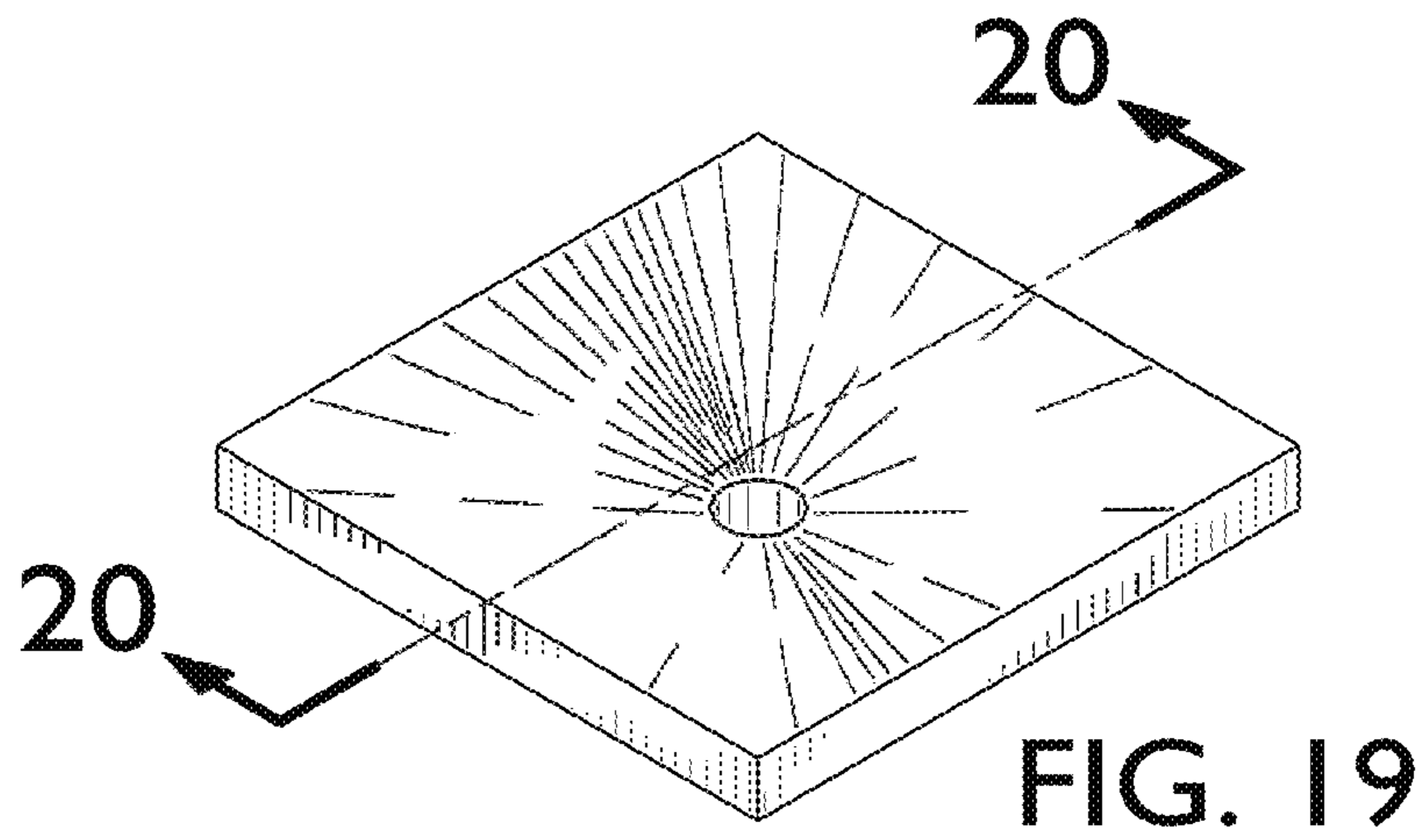


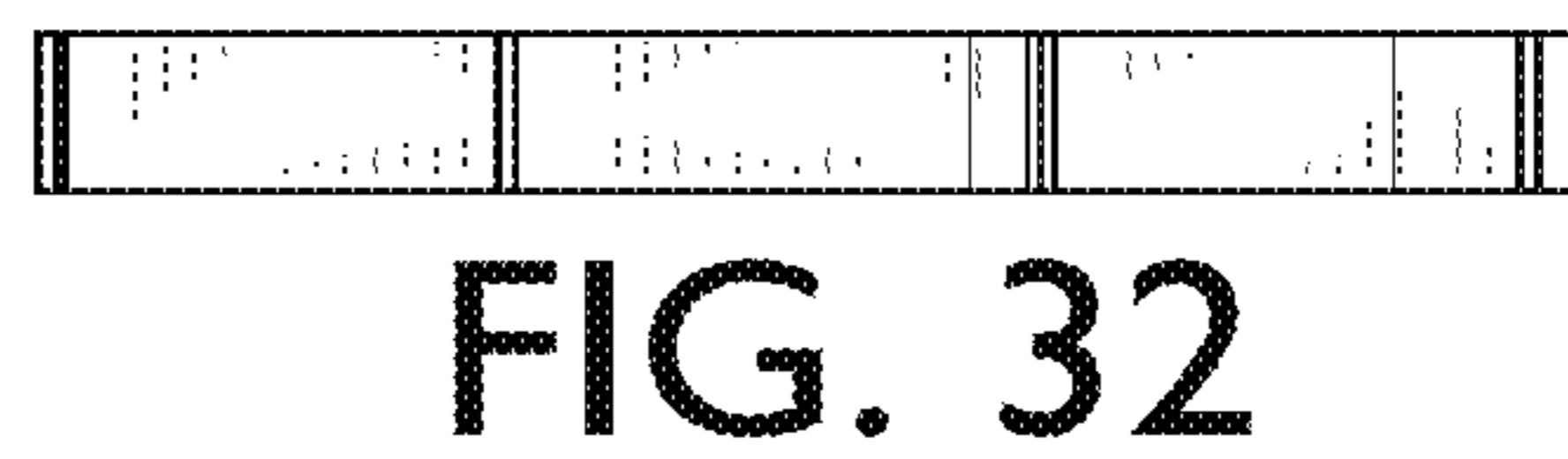
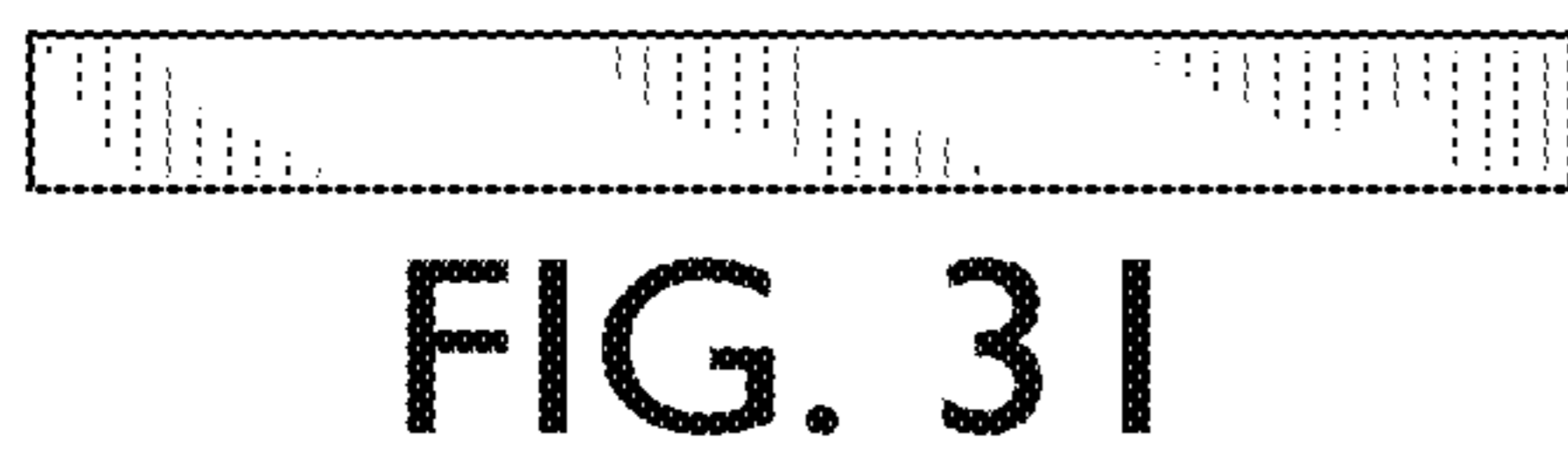
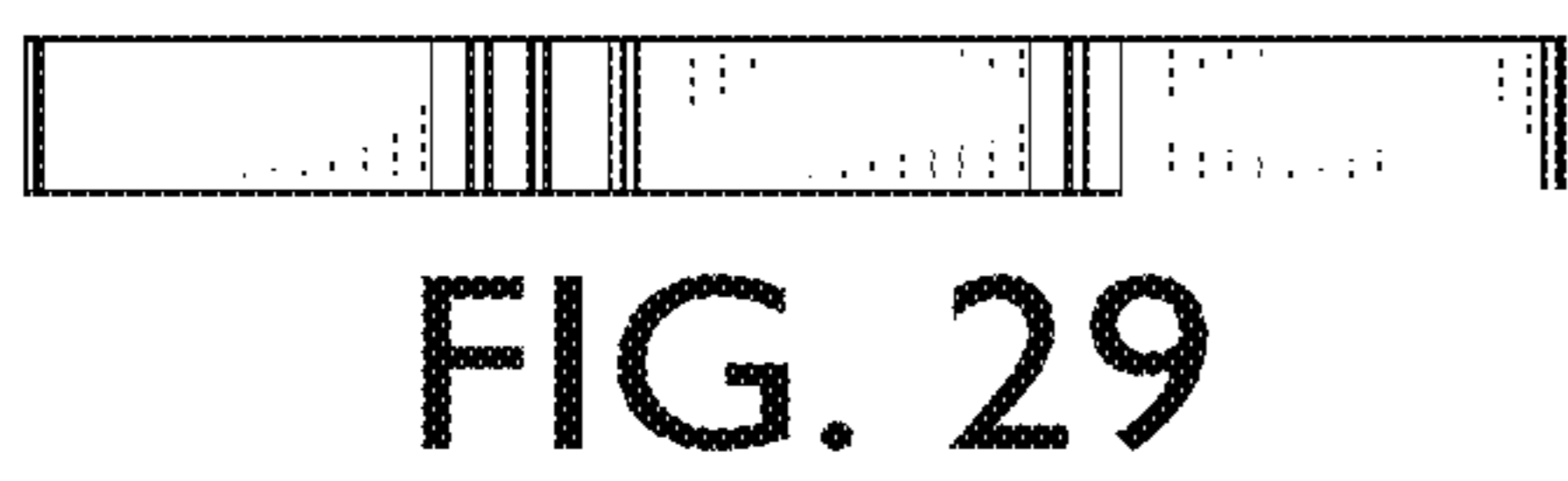
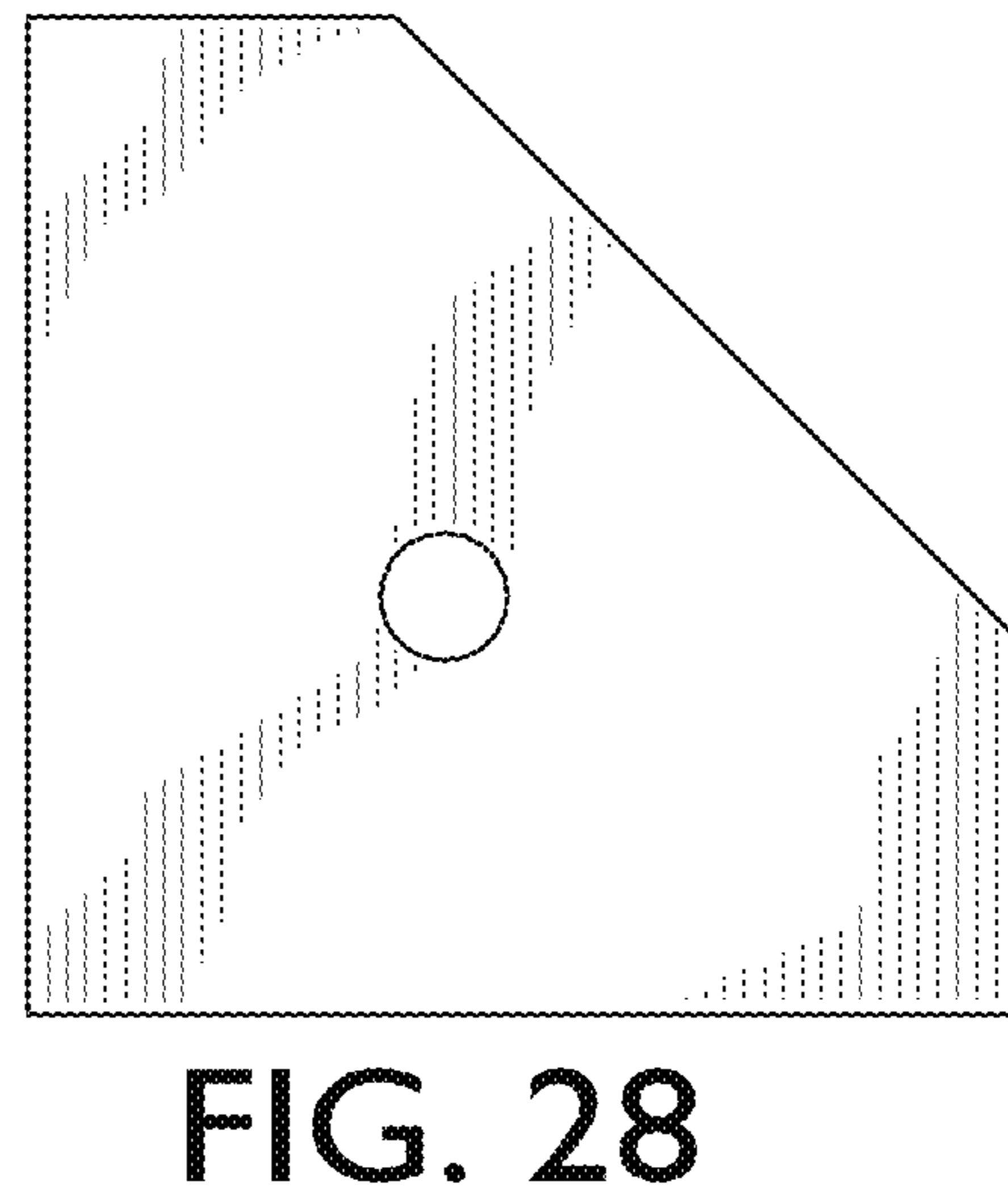
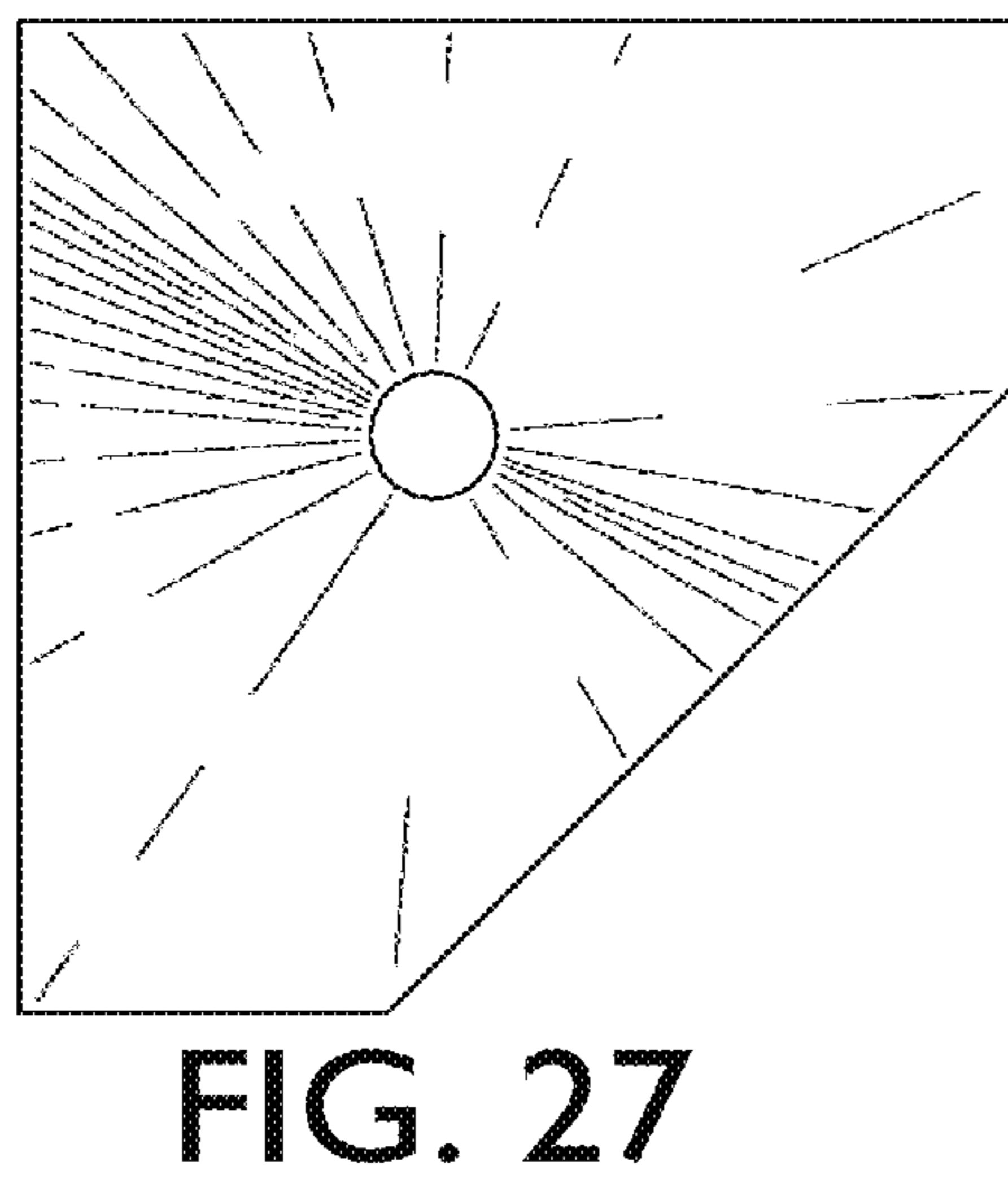
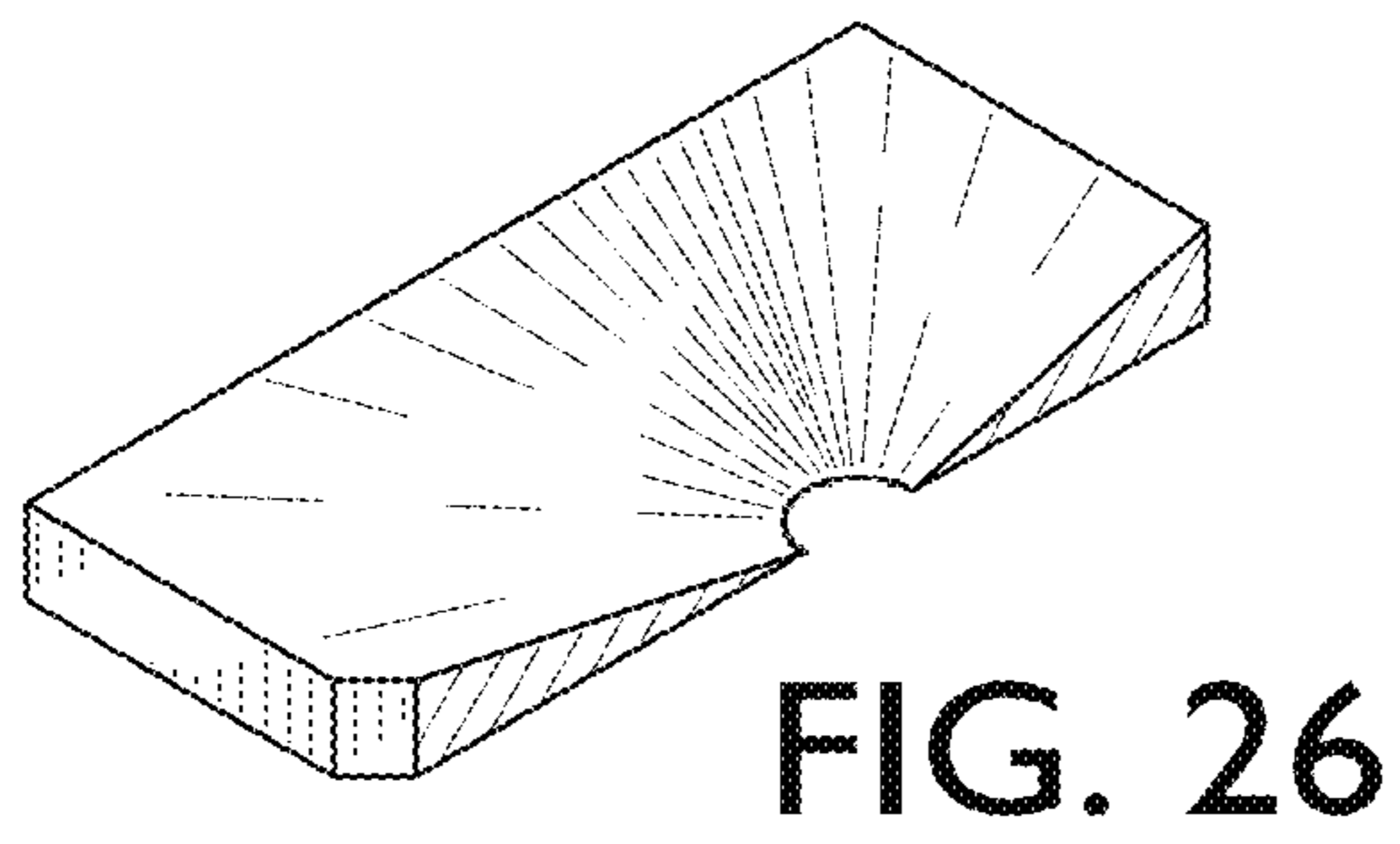
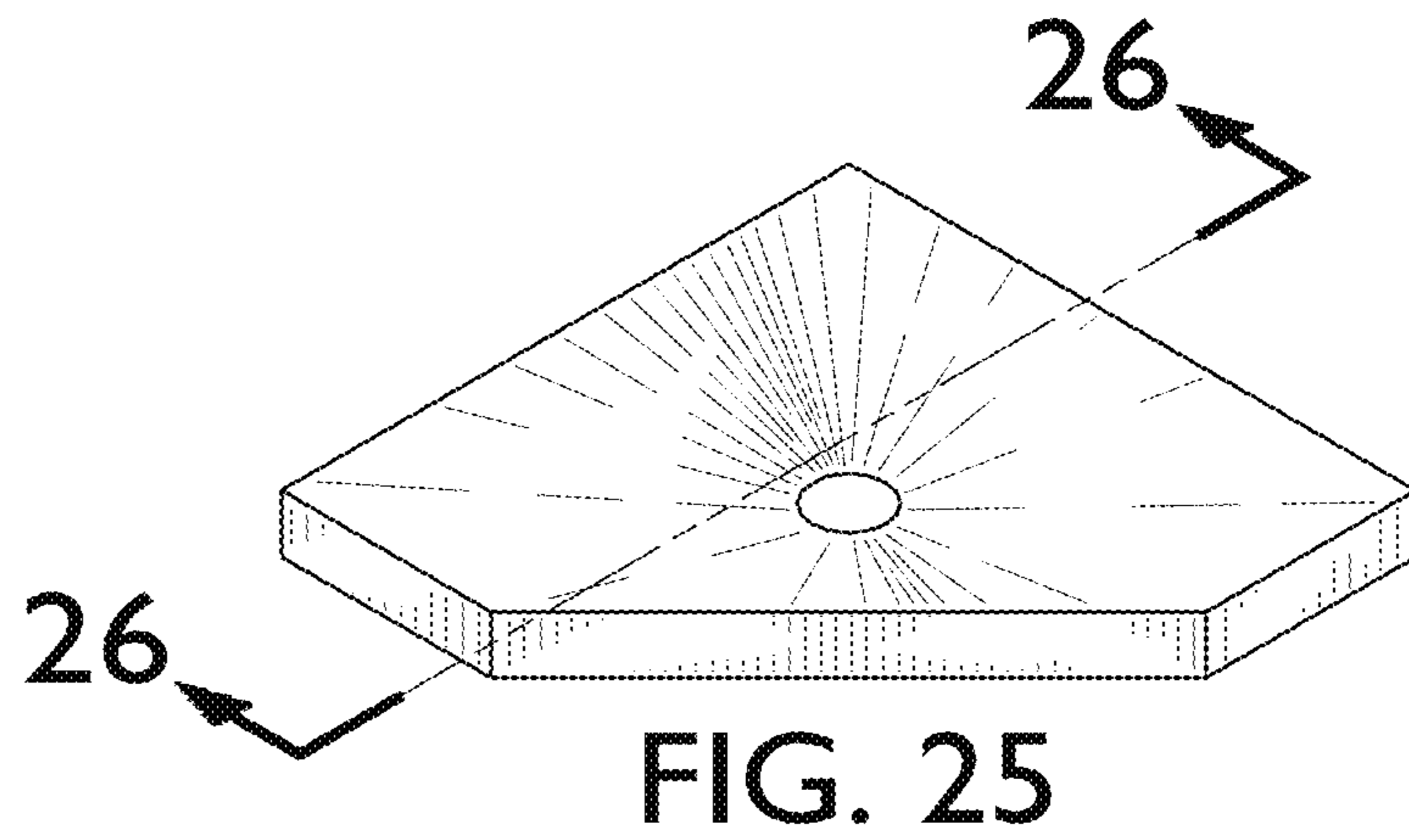
FIG. 11



FIG. 12







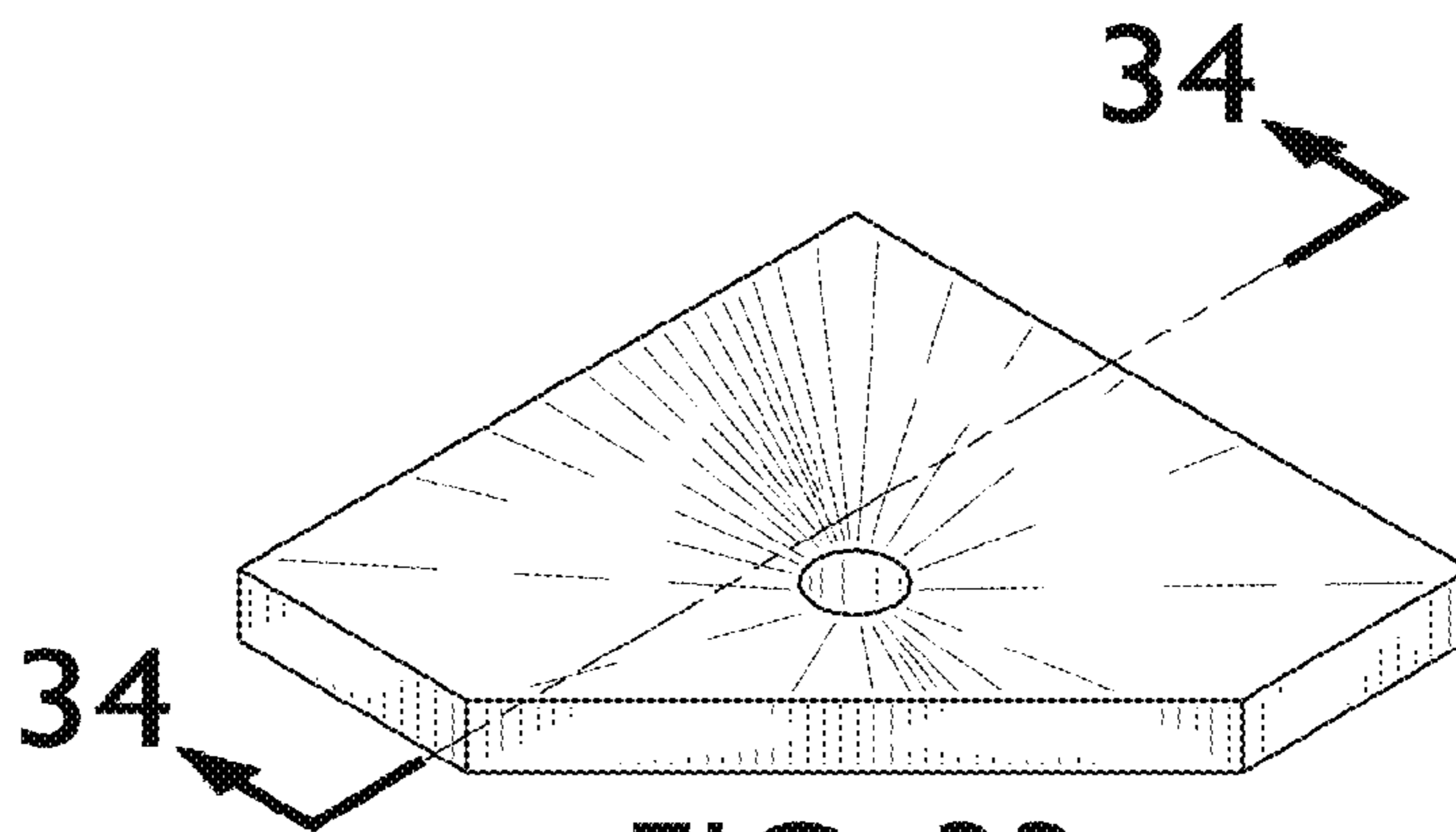


FIG. 33

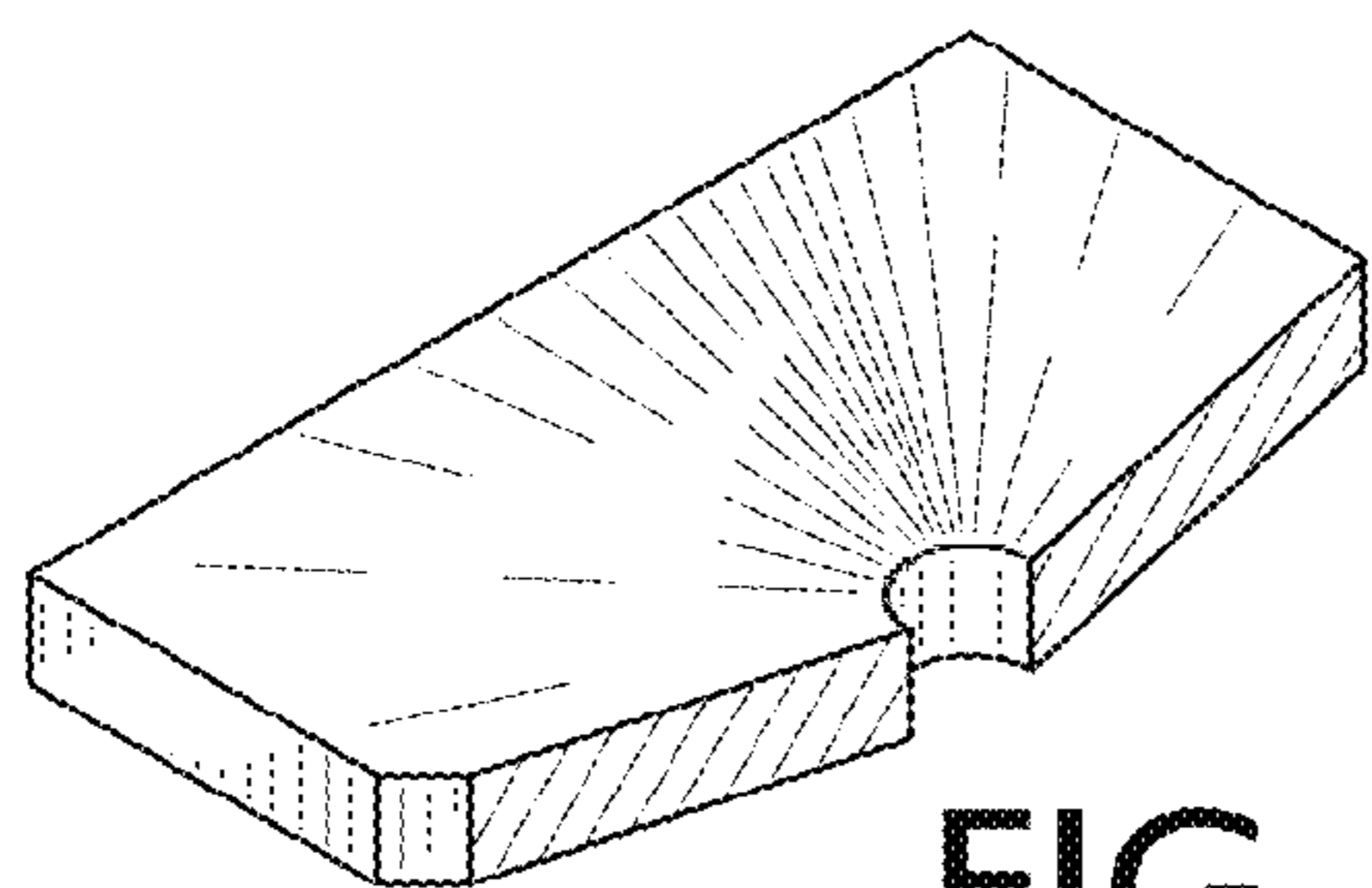


FIG. 34

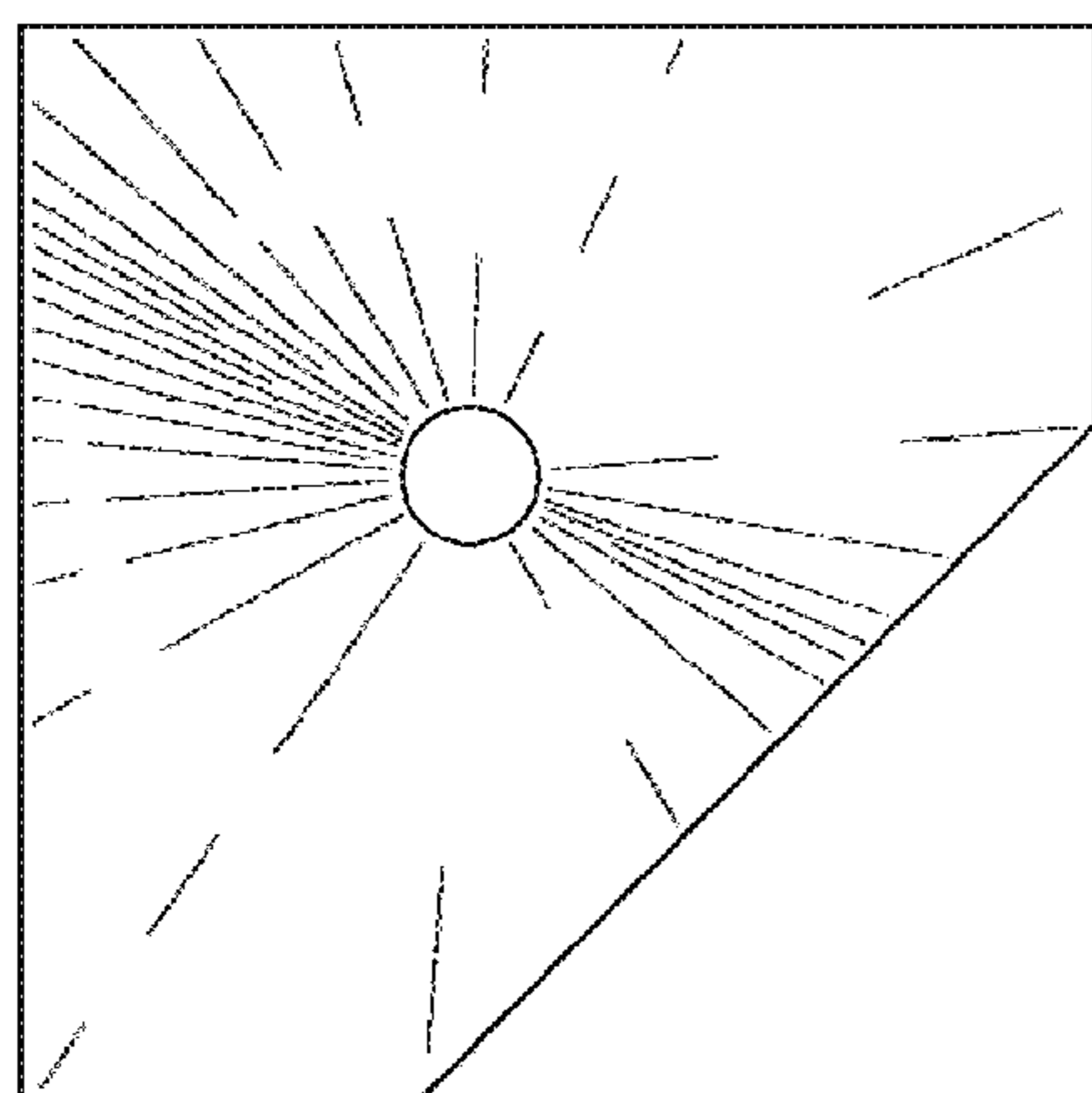


FIG. 35

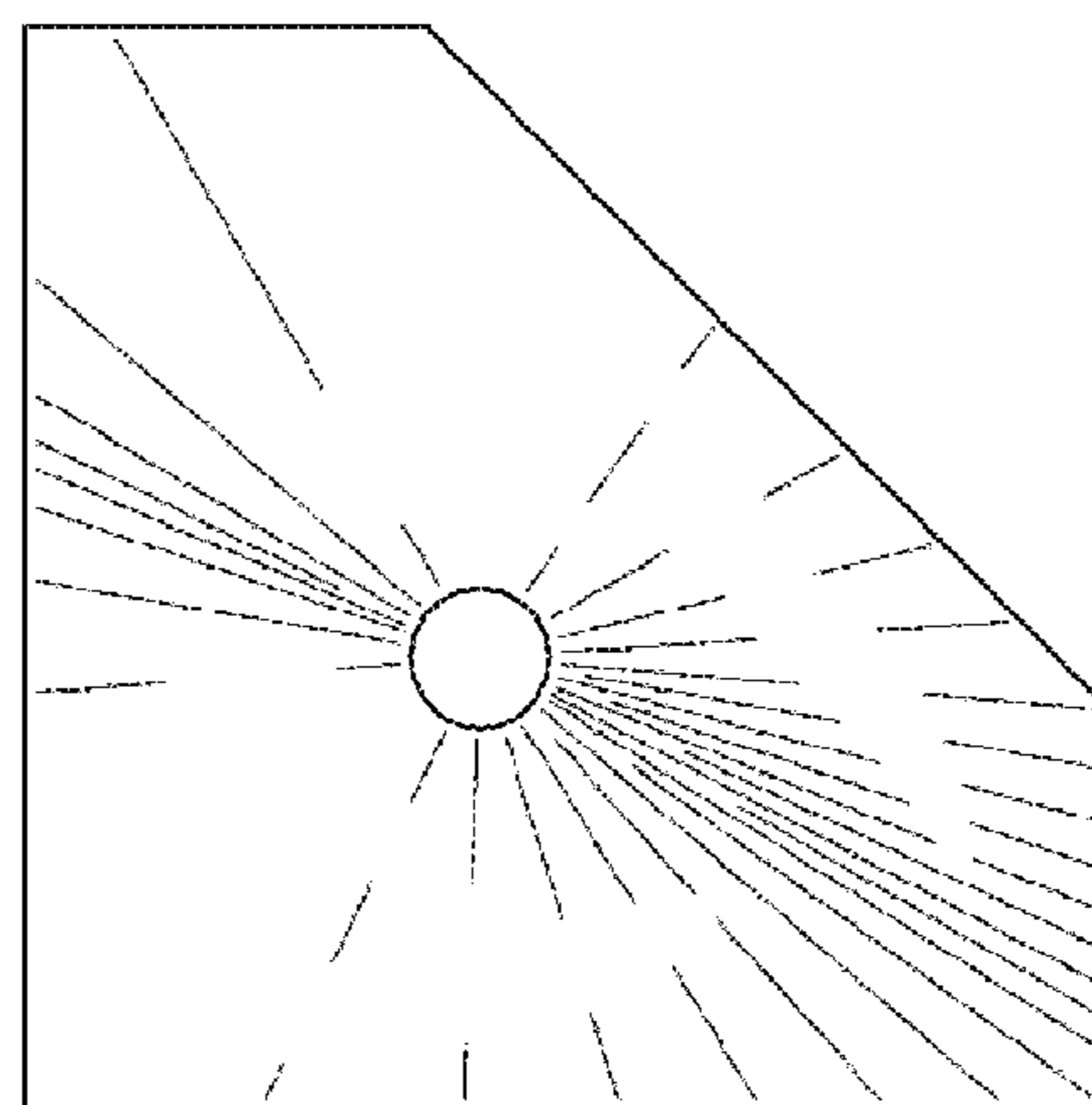


FIG. 36



FIG. 37

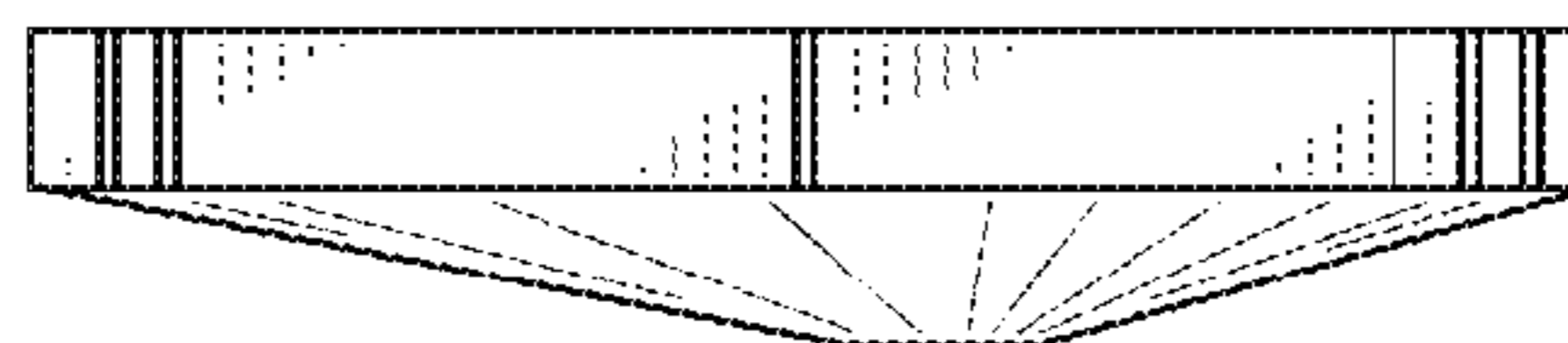


FIG. 38



FIG. 39

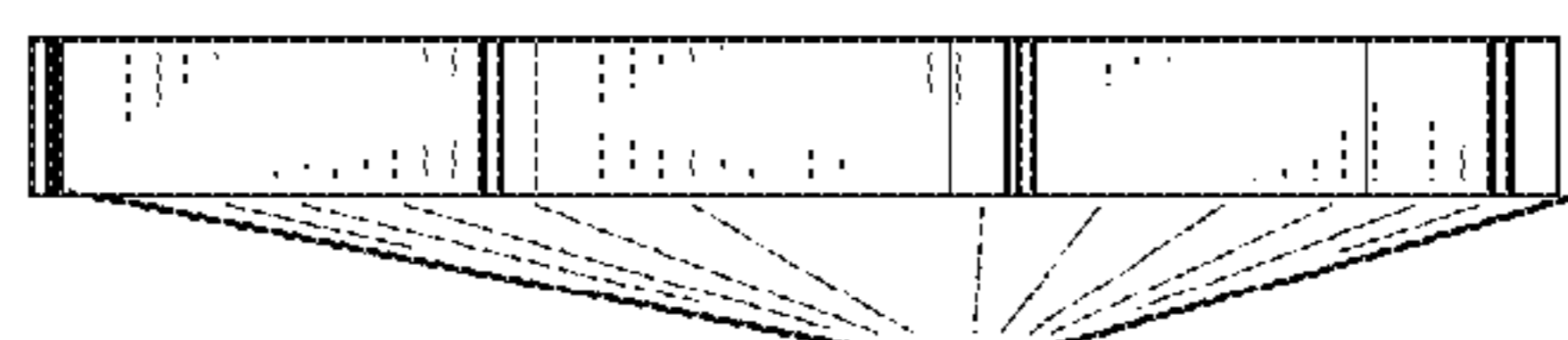
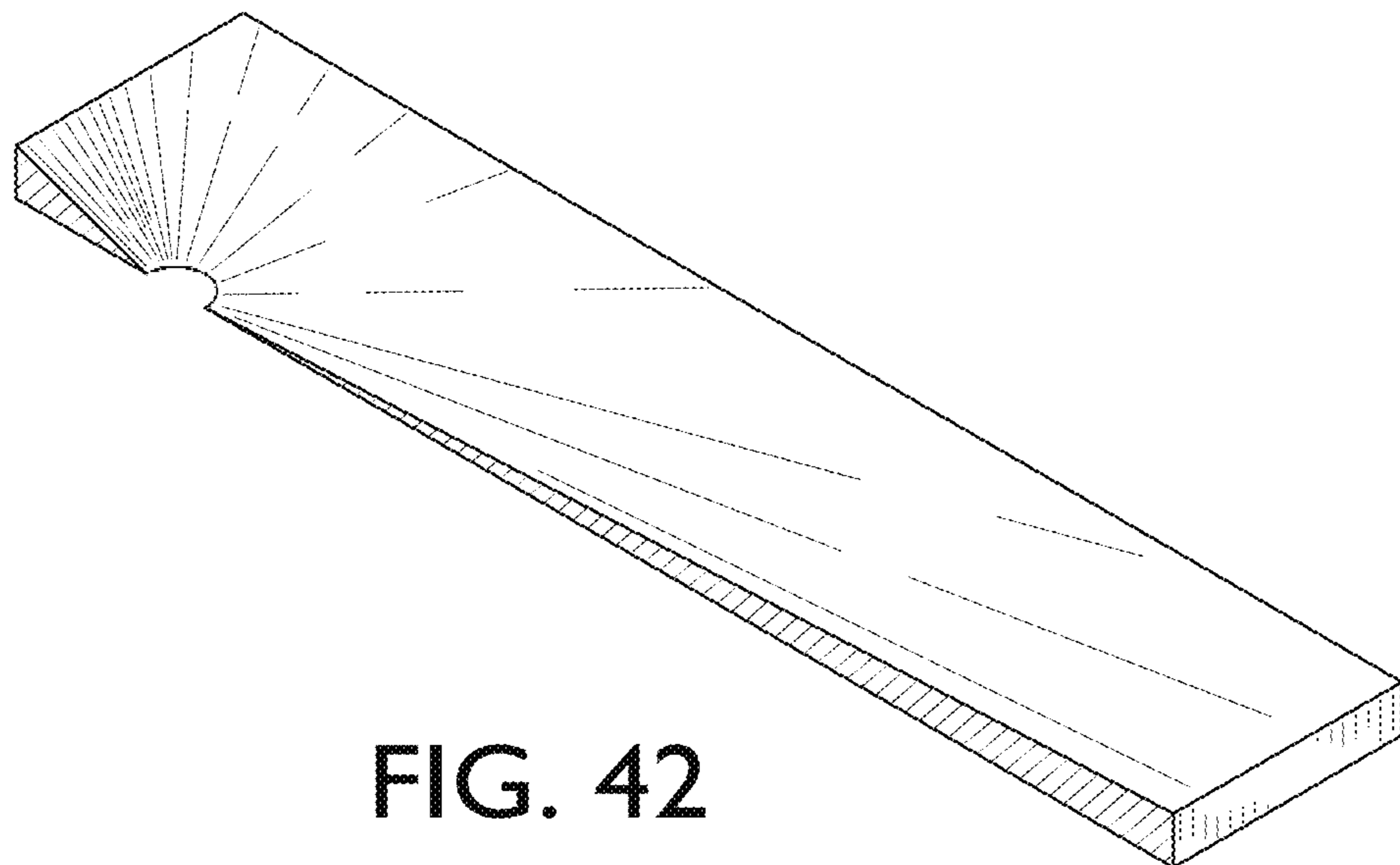
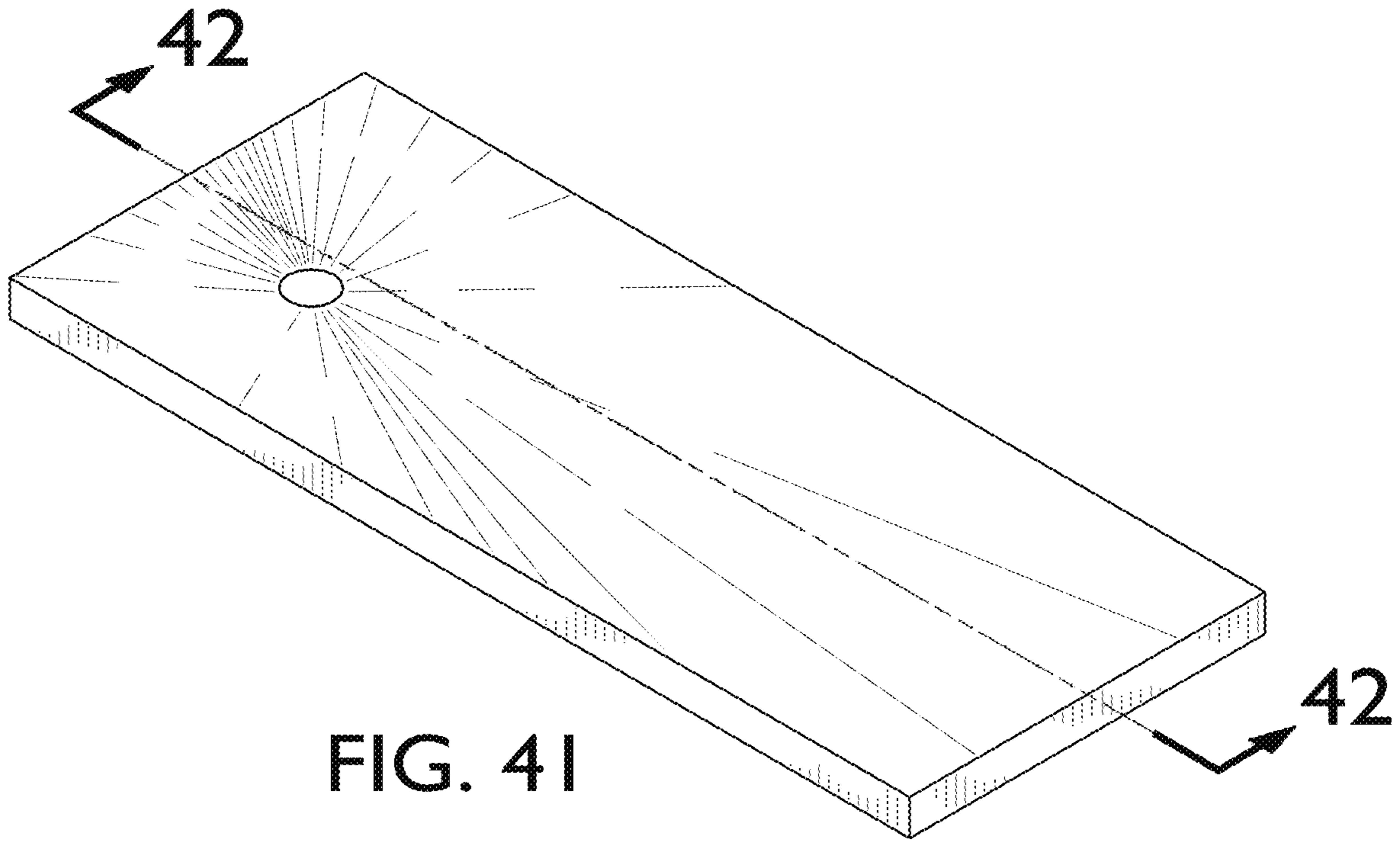


FIG. 40



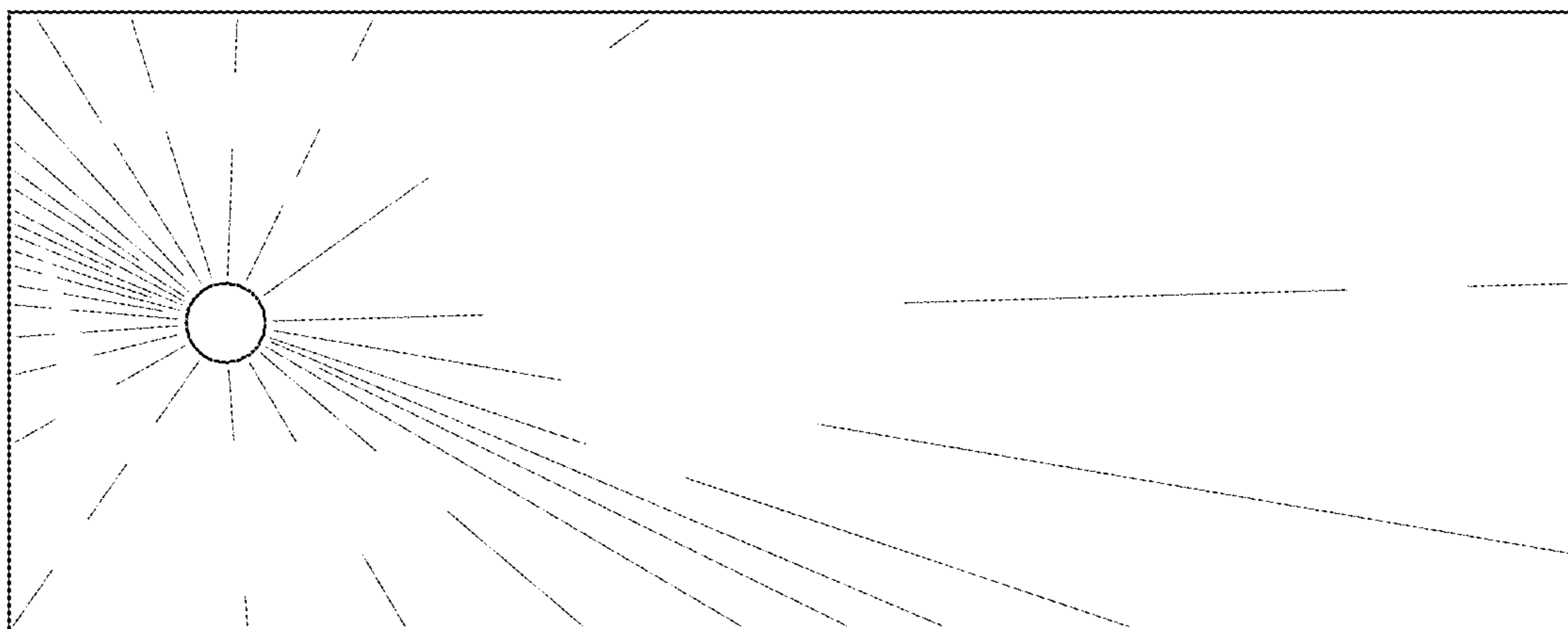


FIG. 43

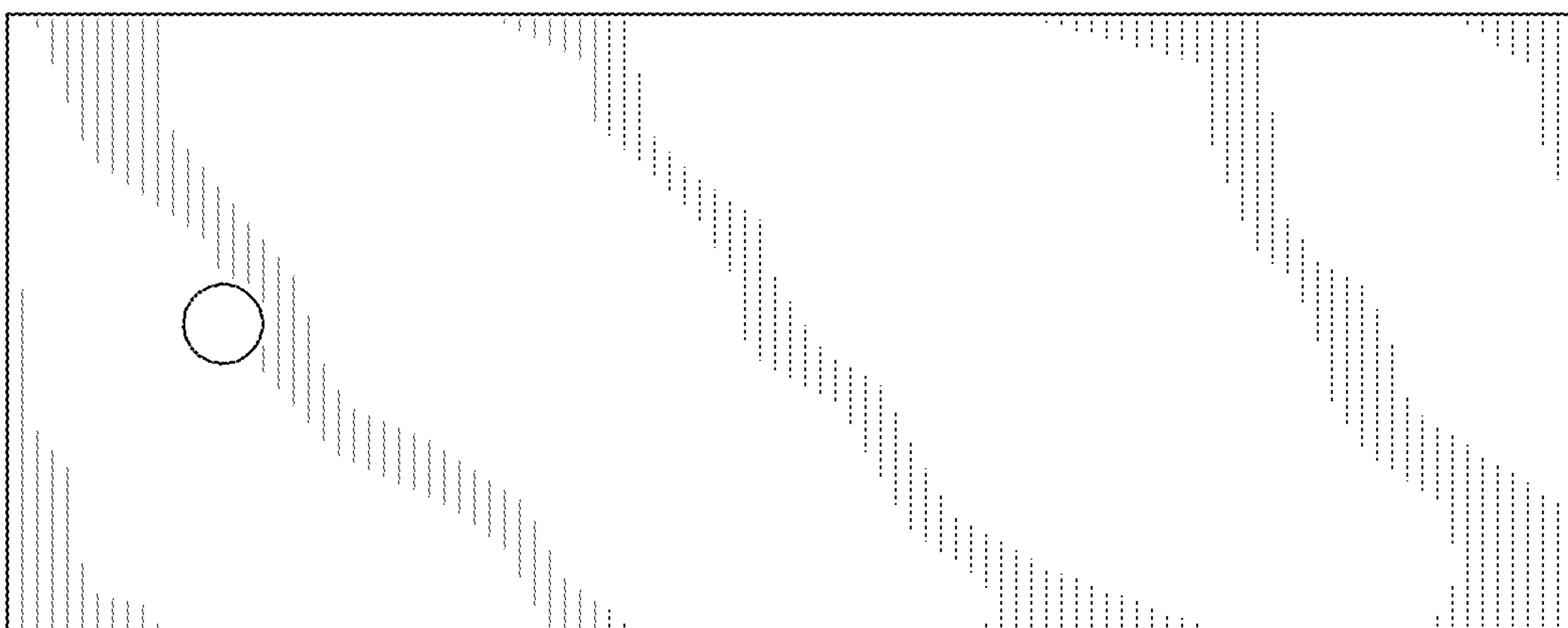


FIG. 44



FIG. 45

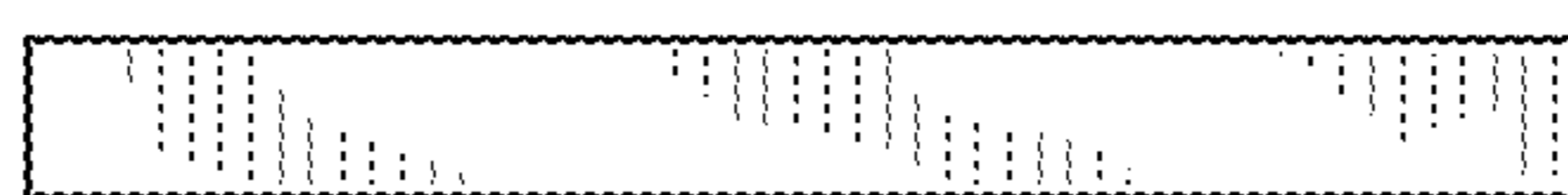
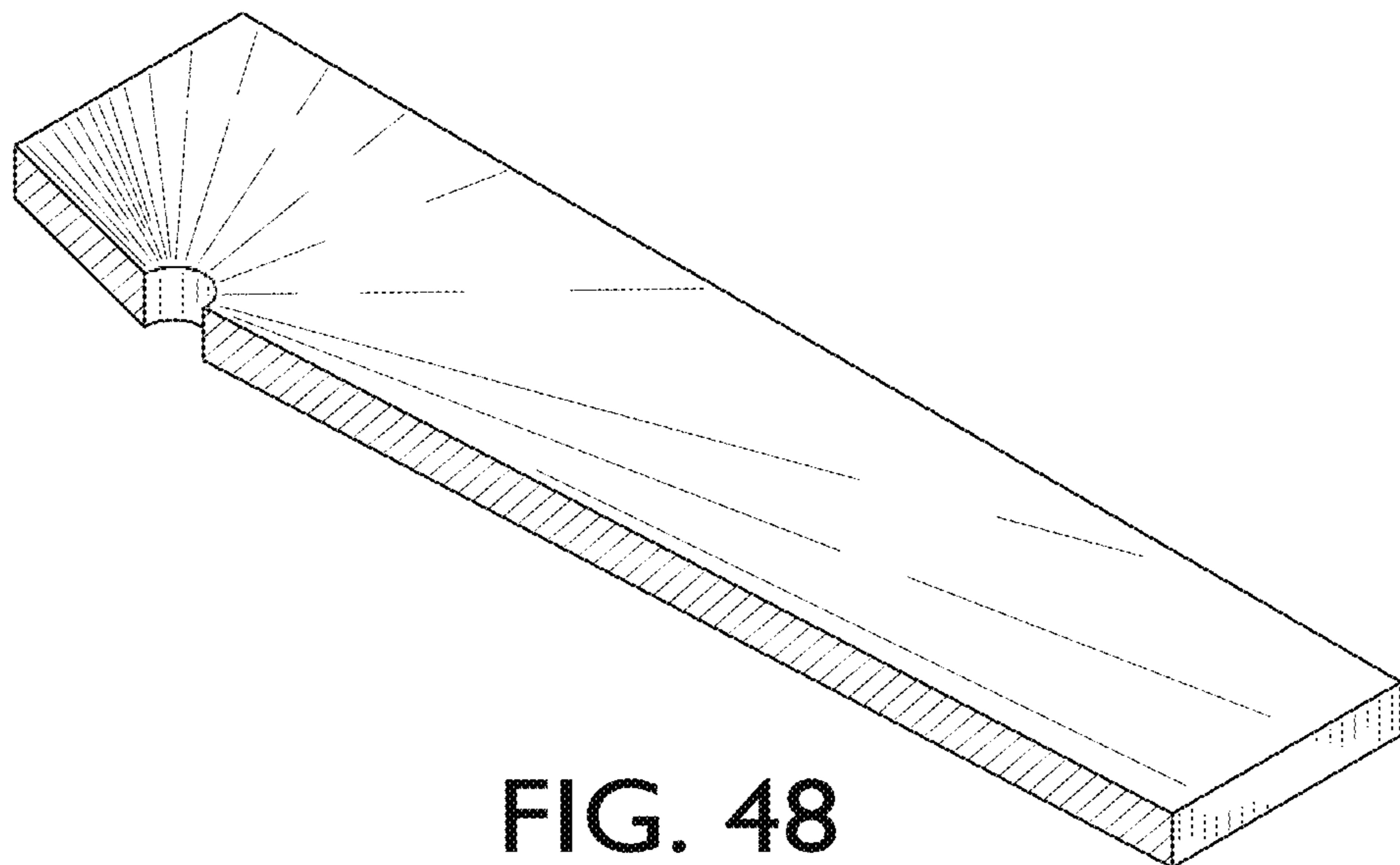
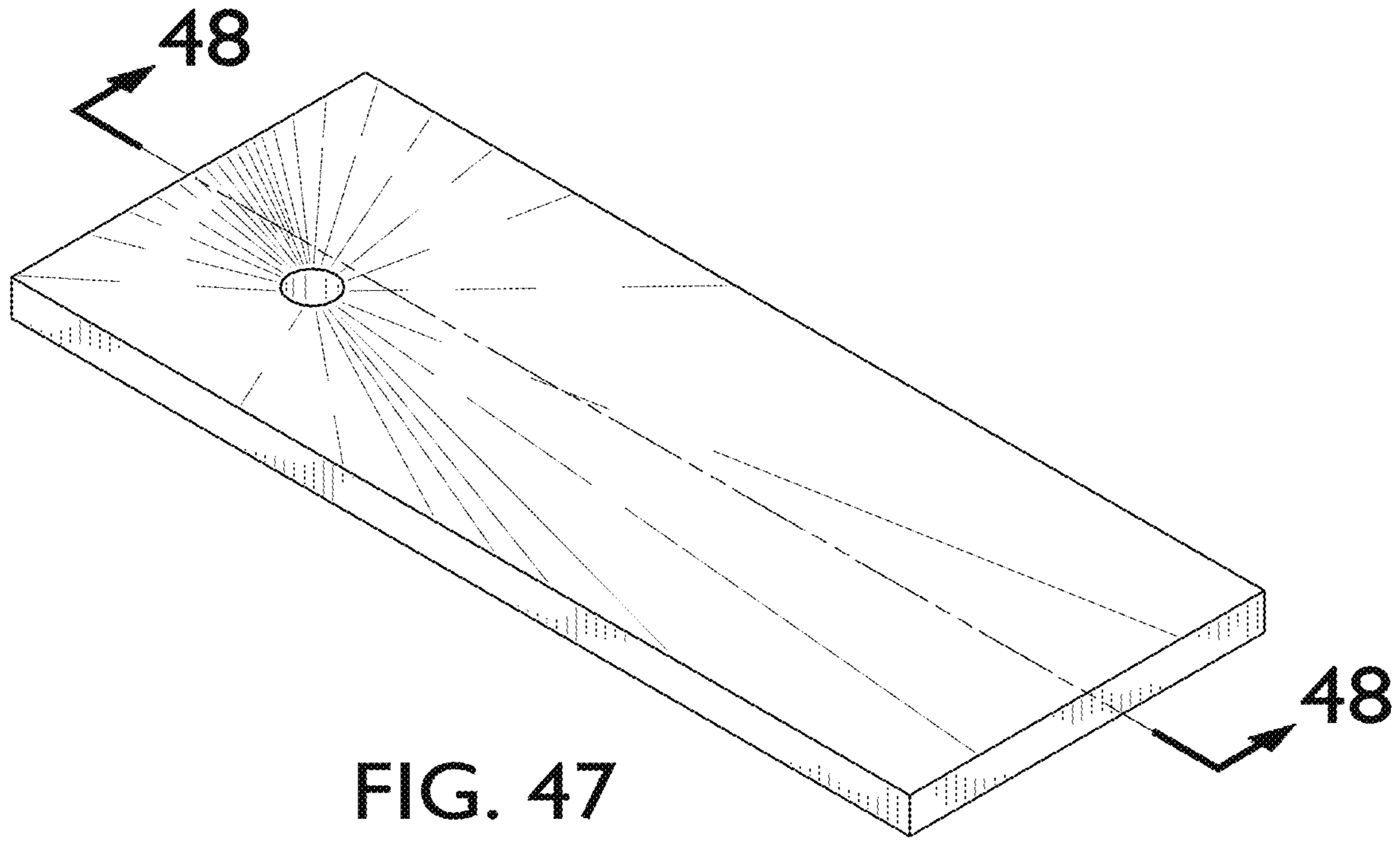


FIG. 46



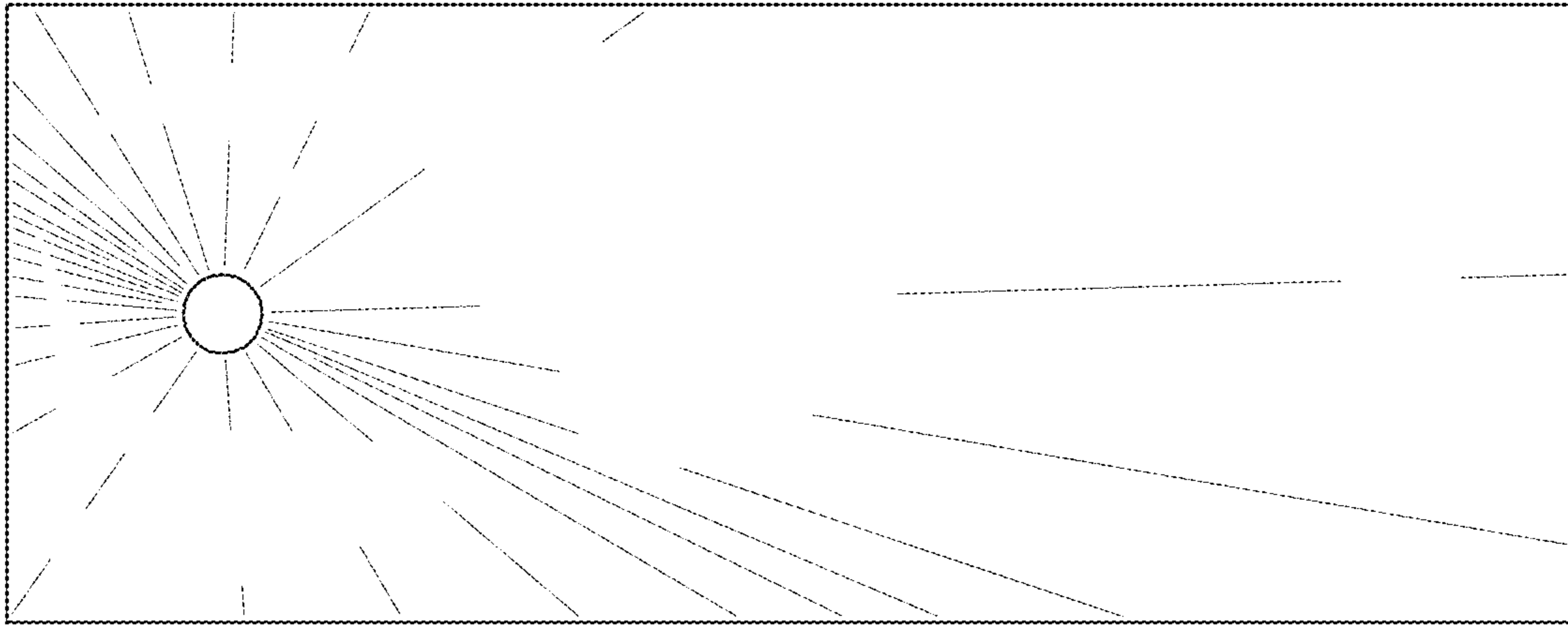


FIG. 49

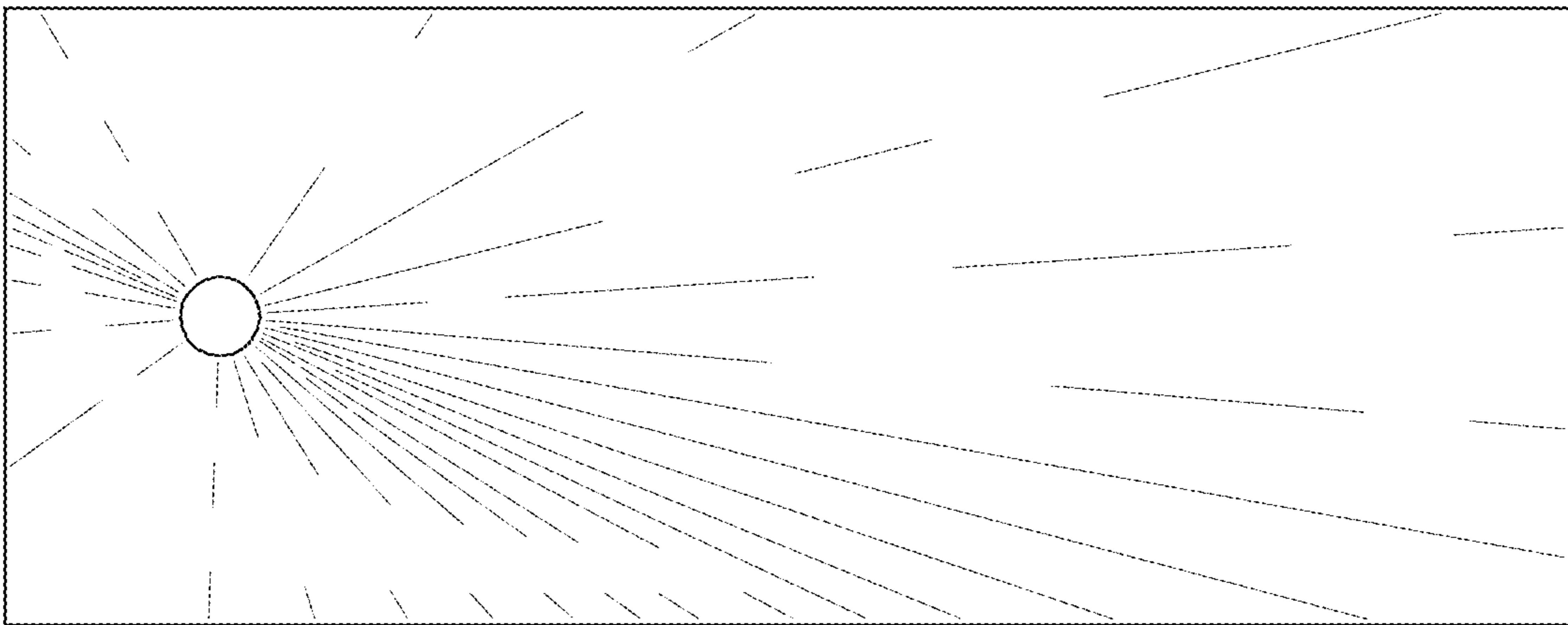


FIG. 50

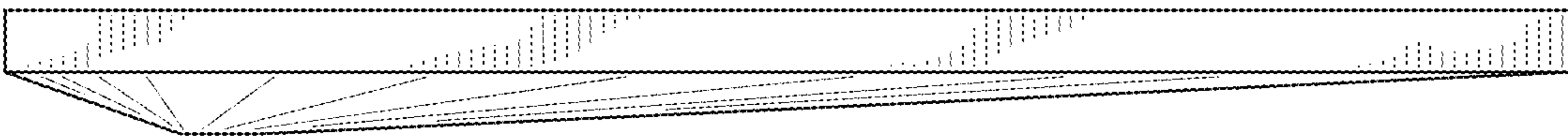


FIG. 51

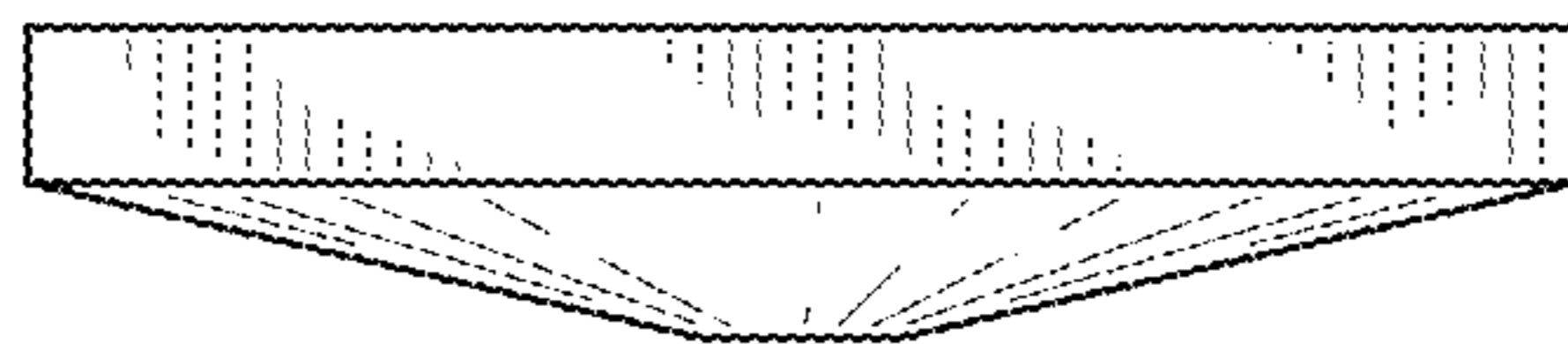
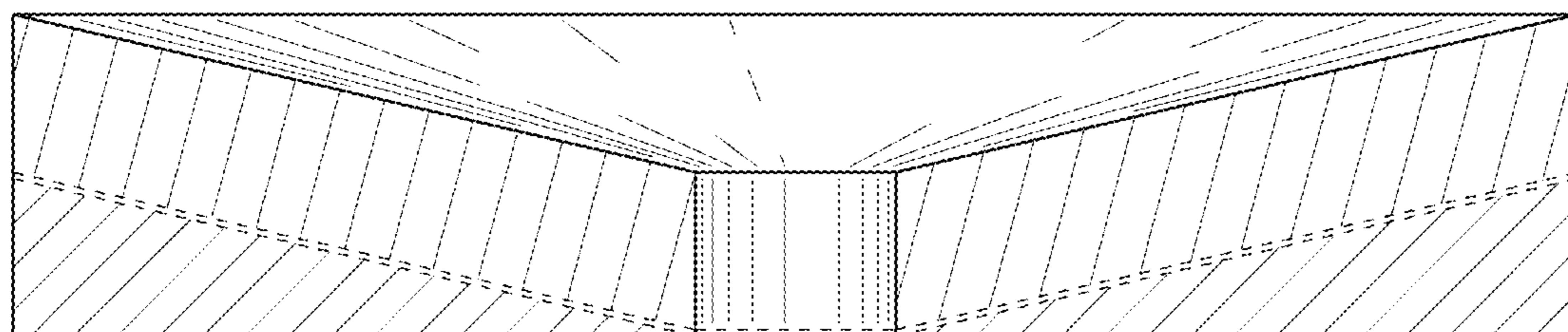
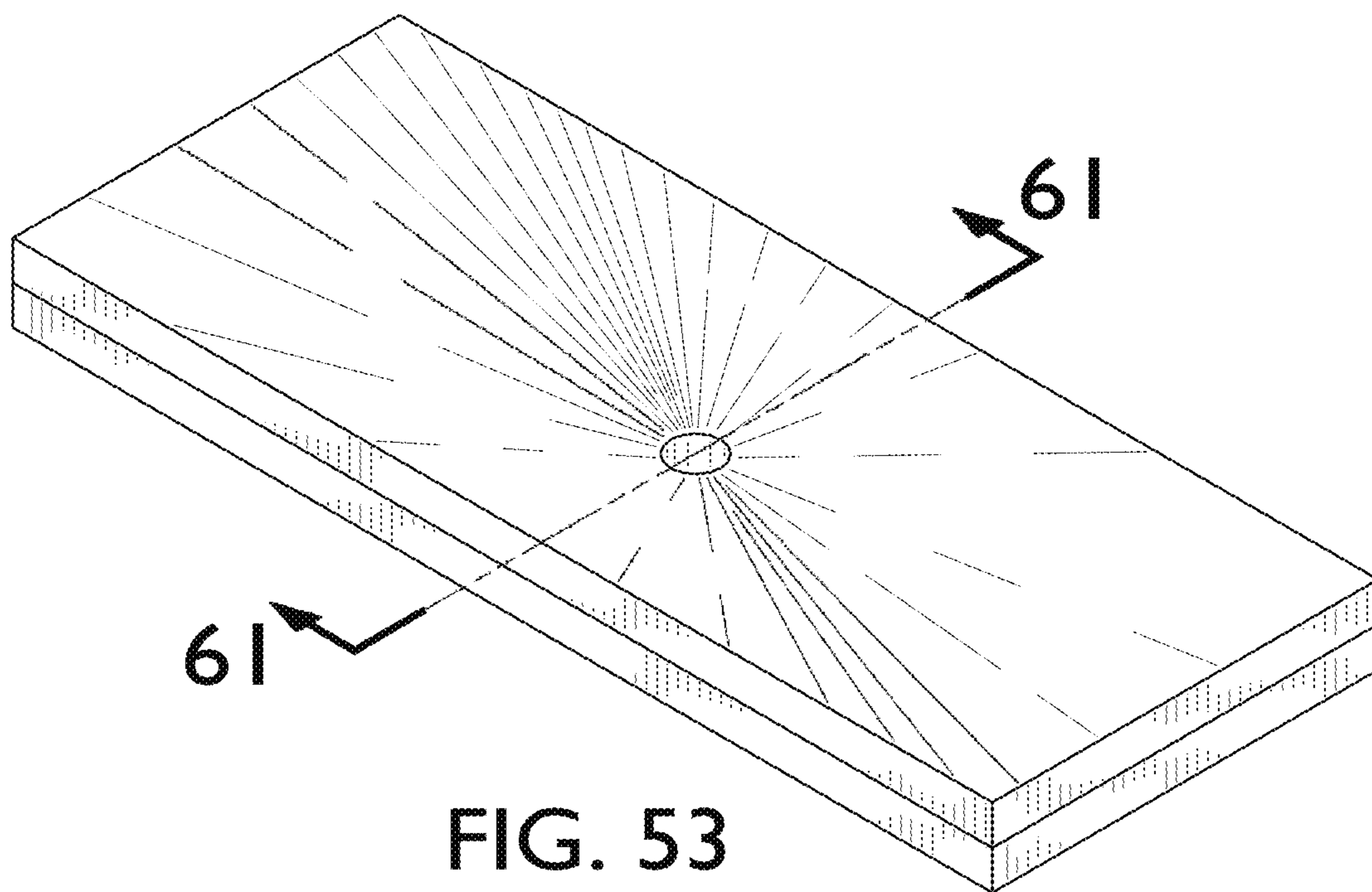


FIG. 52



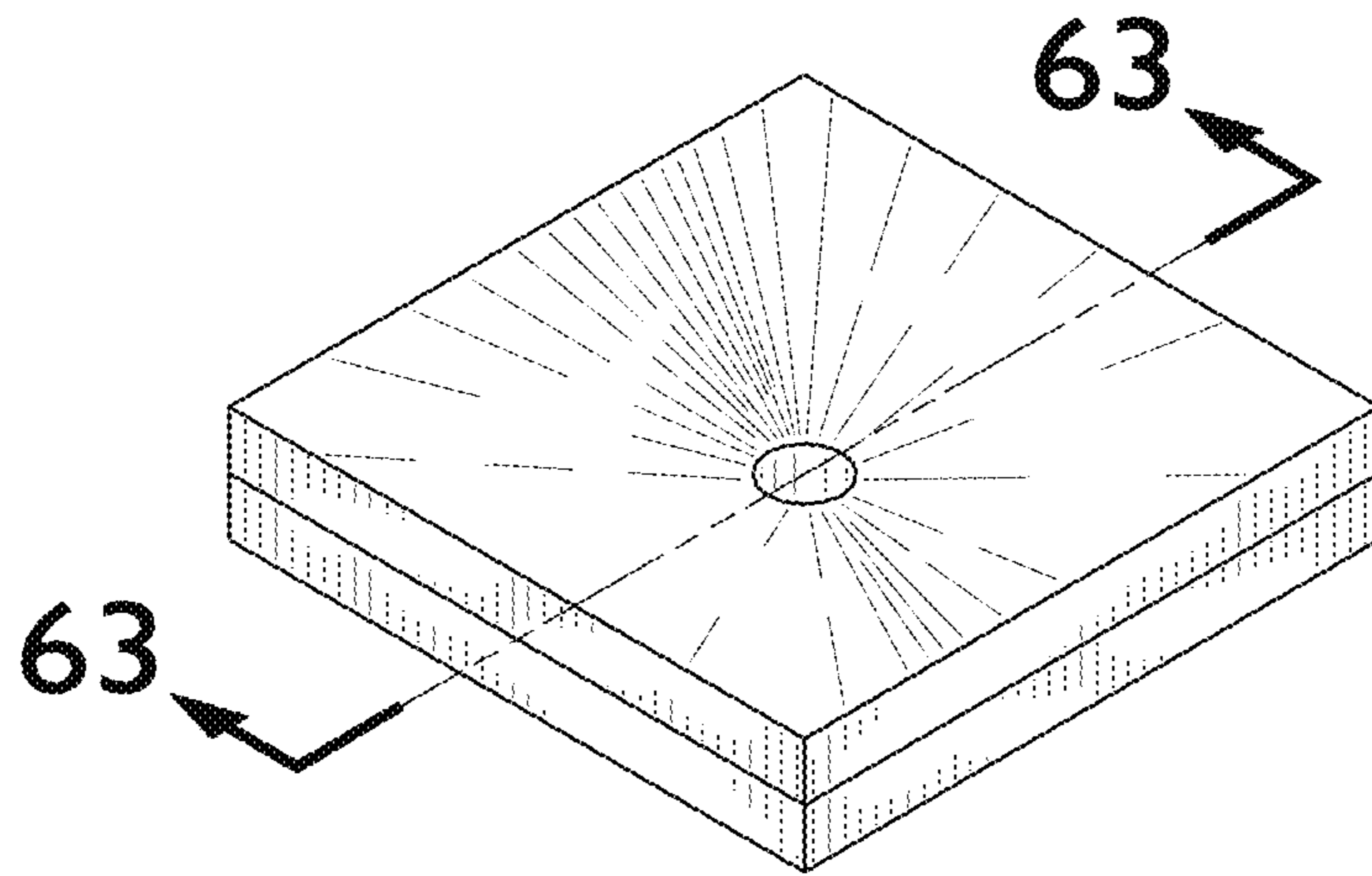


FIG. 55

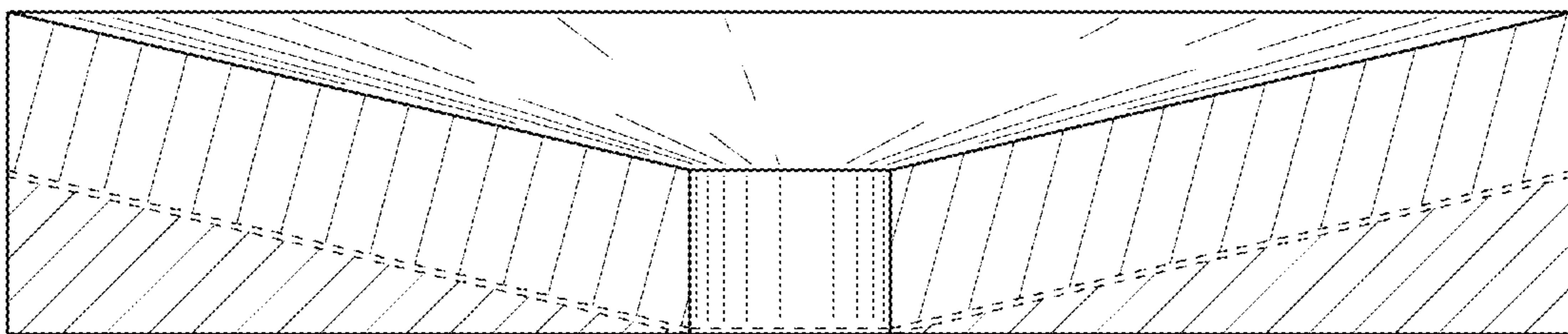


FIG. 56

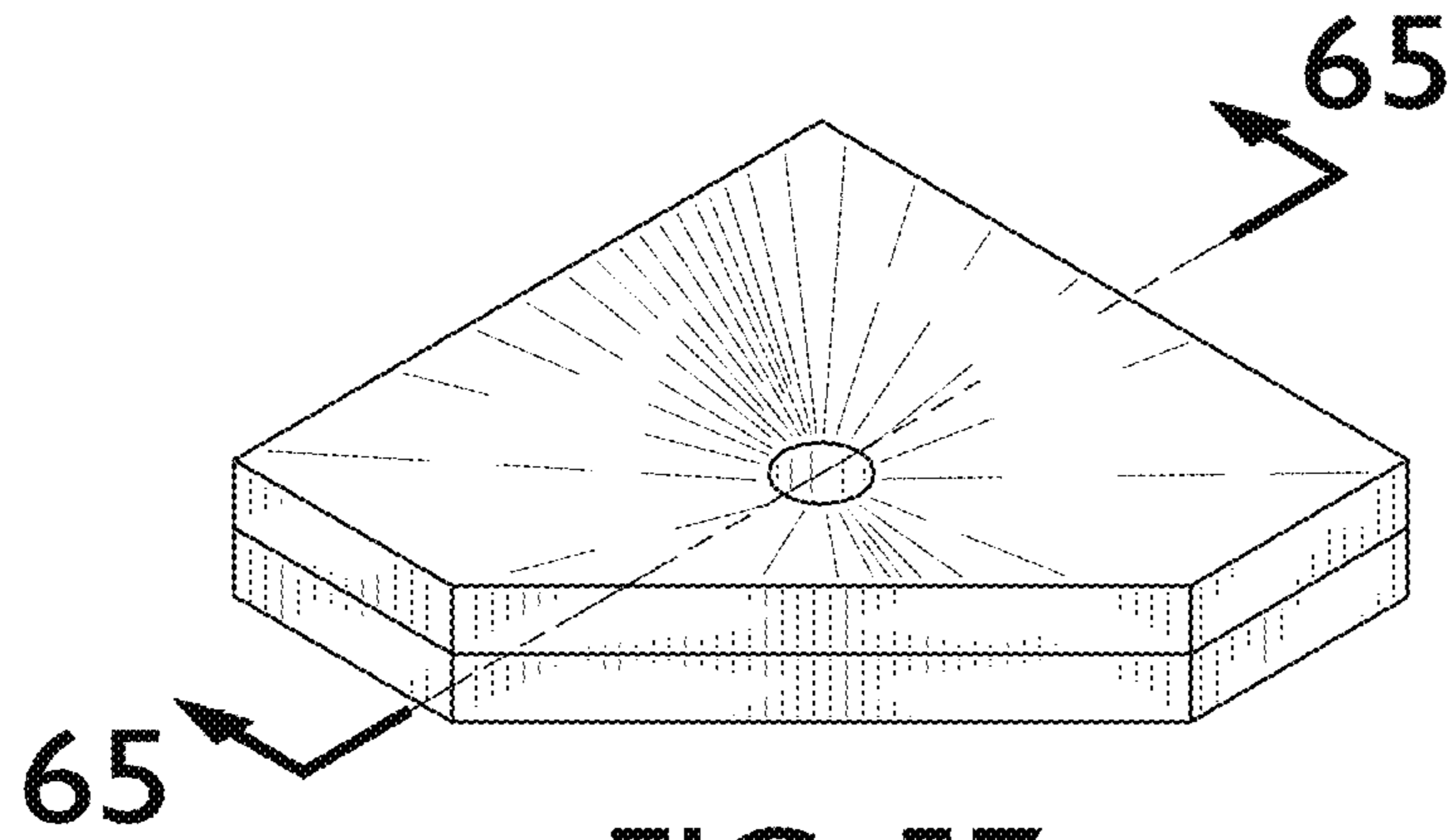


FIG. 57

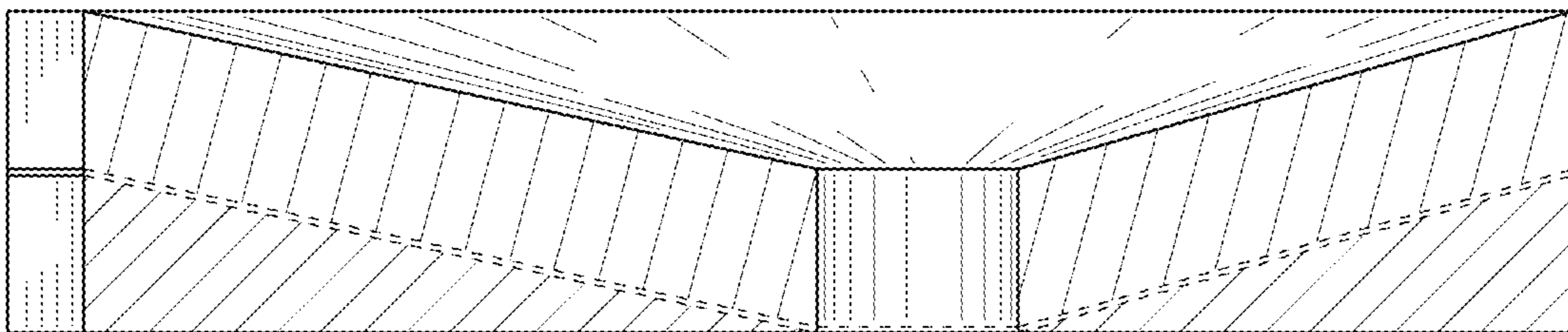


FIG. 58

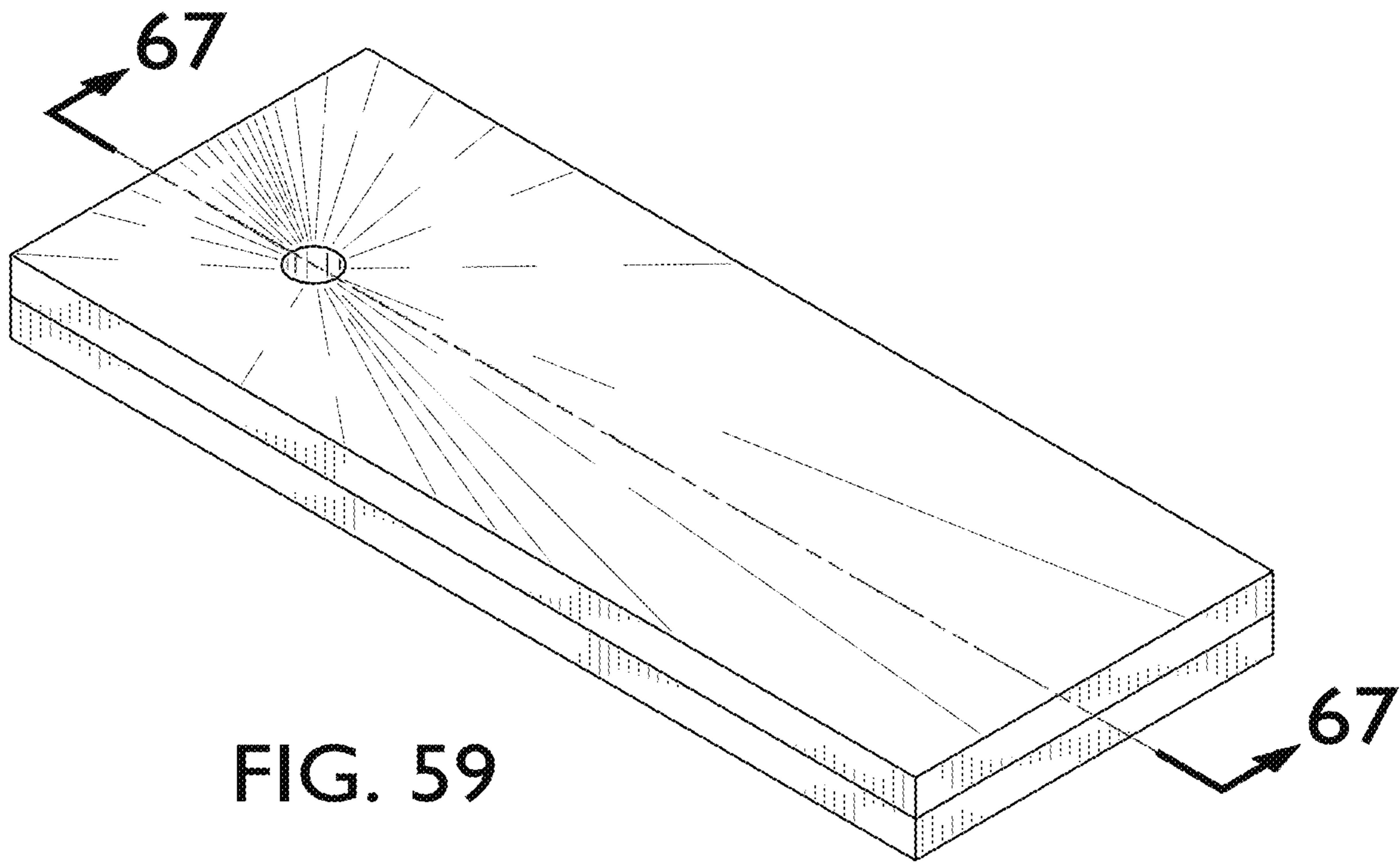


FIG. 59

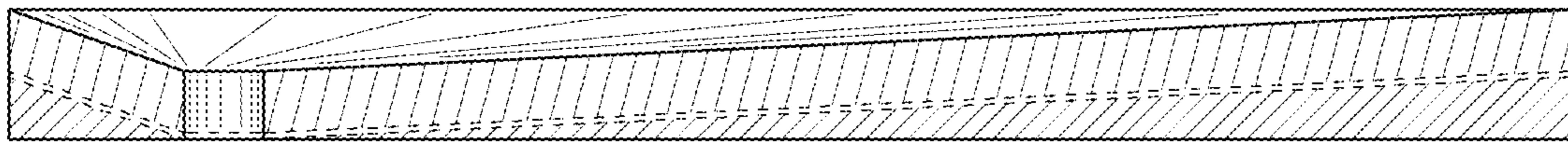


FIG. 60