



US00D869624S

(12) **United States Design Patent** (10) **Patent No.:** **US D869,624 S**  
**Kergoët** (45) **Date of Patent:** **\*\* Dec. 10, 2019**

(54) **TOILET**  
(71) Applicant: **Kohler Co.**, Kohler, WI (US)  
(72) Inventor: **François Kergoët**, Malakoff (FR)  
(73) Assignee: **KOHLER CO.**, Kohler, WI (US)  
(\*\*) Term: **15 Years**  
(21) Appl. No.: **29/646,763**  
(22) Filed: **May 7, 2018**  
(51) **LOC (12) Cl.** ..... **23-01**  
(52) **U.S. Cl.**  
USPC ..... **D23/301**  
(58) **Field of Classification Search**  
USPC ..... D23/295–301, 303, 309, 311–313  
CPC ..... A47K 11/02; A47K 11/026; A47K 11/00;  
A47K 13/00; E03D 11/18; E03D 5/10;  
E03D 13/00  
See application file for complete search history.

D767,742 S 9/2016 Bates et al.  
D797,911 S \* 9/2017 Mesun ..... D23/301  
D831,799 S \* 10/2018 Obara ..... D23/301

**OTHER PUBLICATIONS**

Kohler 2016 Fixtures Price Book; pp. 314-347.

\* cited by examiner

*Primary Examiner* — Lakiya G Rogers

*Assistant Examiner* — John A Voytek

(74) *Attorney, Agent, or Firm* — Foley & Lardner LLP

(57) **CLAIM**

I claim the ornamental design for a toilet, as shown and described.

**DESCRIPTION**

FIG. 1 is a perspective view of an embodiment of the claimed design;

FIG. 2 is a front view of the claimed design shown in FIG. 1;

FIG. 3 is a rear view of the claimed design shown in FIG. 1;

FIG. 4 is a top view of the claimed design shown in FIG. 1;

FIG. 5 is a bottom view of the claimed design shown in FIG. 1;

FIG. 6 is a side view of the claimed design shown in FIG. 1; and,

FIG. 7 is another side view of the claimed design shown in FIG. 1.

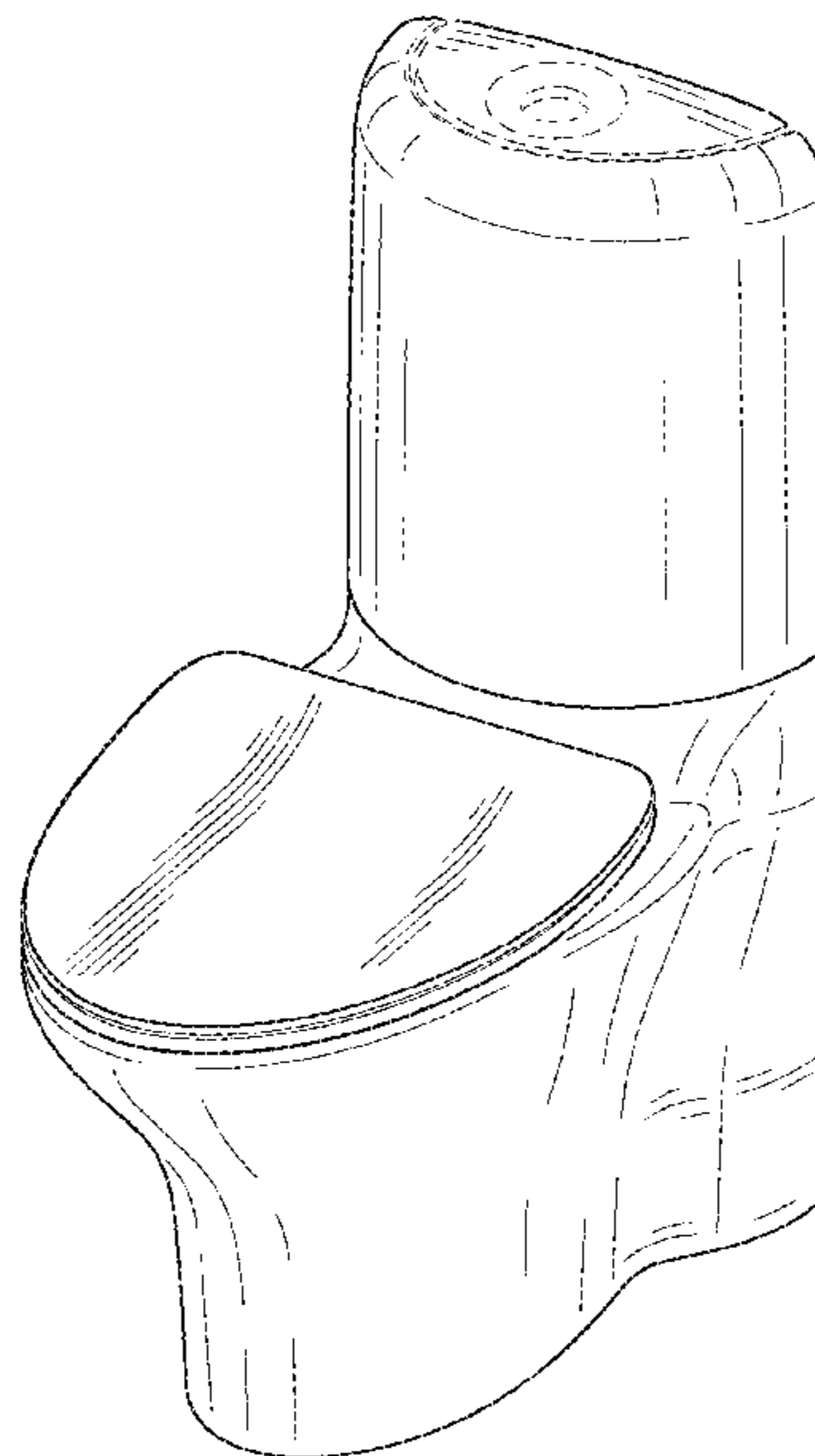
In the drawings, the broken lines depict portions of the toilet that form no part of the claimed design.

**1 Claim, 6 Drawing Sheets**

(56) **References Cited**

**U.S. PATENT DOCUMENTS**

|              |         |           |       |         |
|--------------|---------|-----------|-------|---------|
| D379,217 S * | 5/1997  | Kergoet   | ..... | D23/295 |
| D406,325 S * | 3/1999  | Nagato    | ..... | D23/301 |
| D412,742 S   | 8/1999  | Soulier   |       |         |
| D455,202 S   | 4/2002  | Soulier   |       |         |
| D460,812 S * | 7/2002  | Tani      | ..... | D23/301 |
| D531,288 S   | 10/2006 | Soulier   |       |         |
| D594,098 S   | 6/2009  | Paterson  |       |         |
| D603,944 S * | 11/2009 | Grover    | ..... | D23/301 |
| D615,635 S * | 5/2010  | Hanna     | ..... | D23/301 |
| D616,077 S * | 5/2010  | Lin       | ..... | D23/301 |
| D621,011 S * | 8/2010  | Bucher    | ..... | D23/301 |
| D624,997 S * | 10/2010 | Schönherr | ..... | D23/301 |
| D652,493 S * | 1/2012  | Bucher    | ..... | D23/301 |
| D690,402 S * | 9/2013  | Bates     | ..... | D23/301 |
| D702,819 S * | 4/2014  | Garland   | ..... | D23/301 |



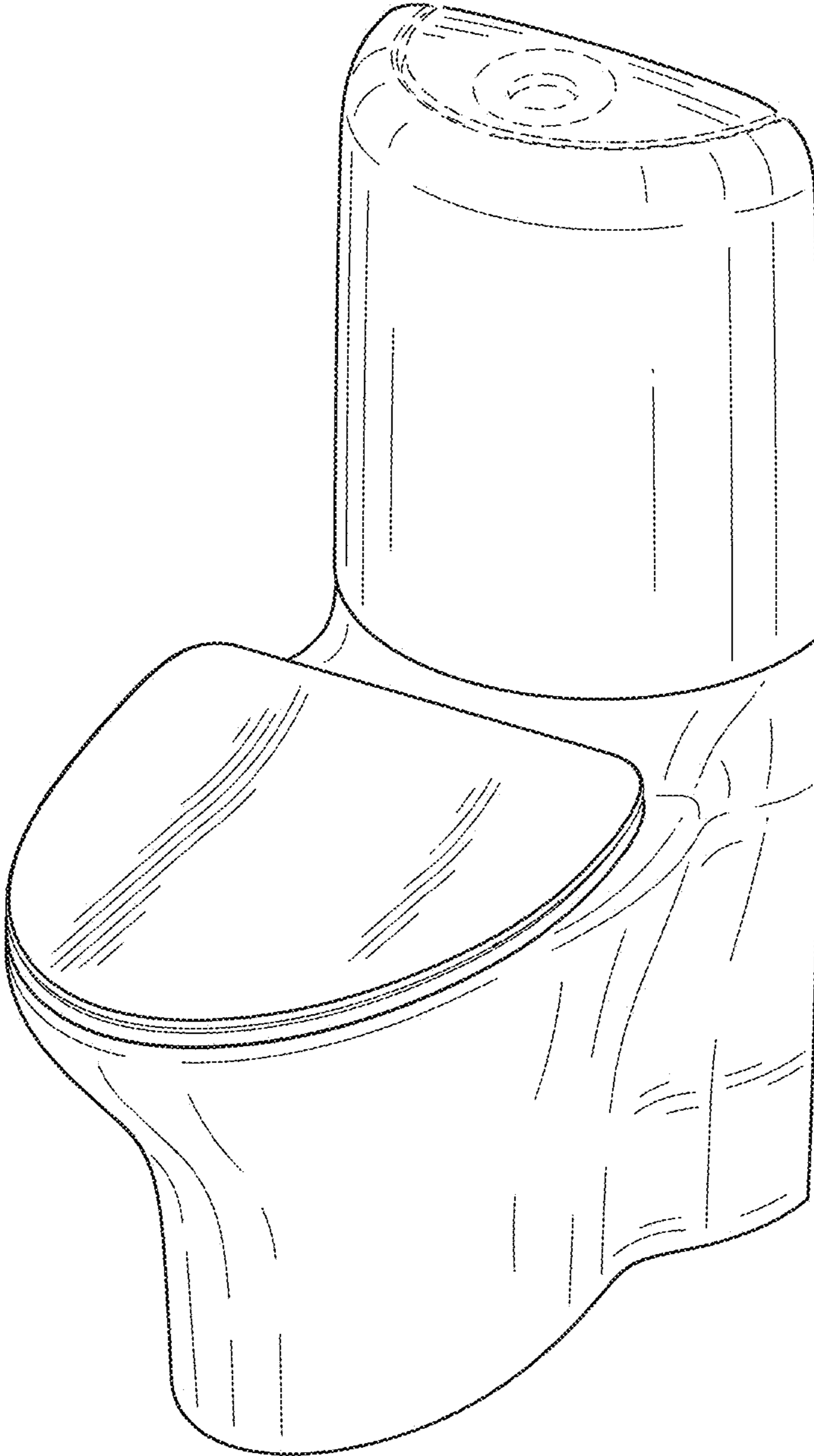


FIG. 1

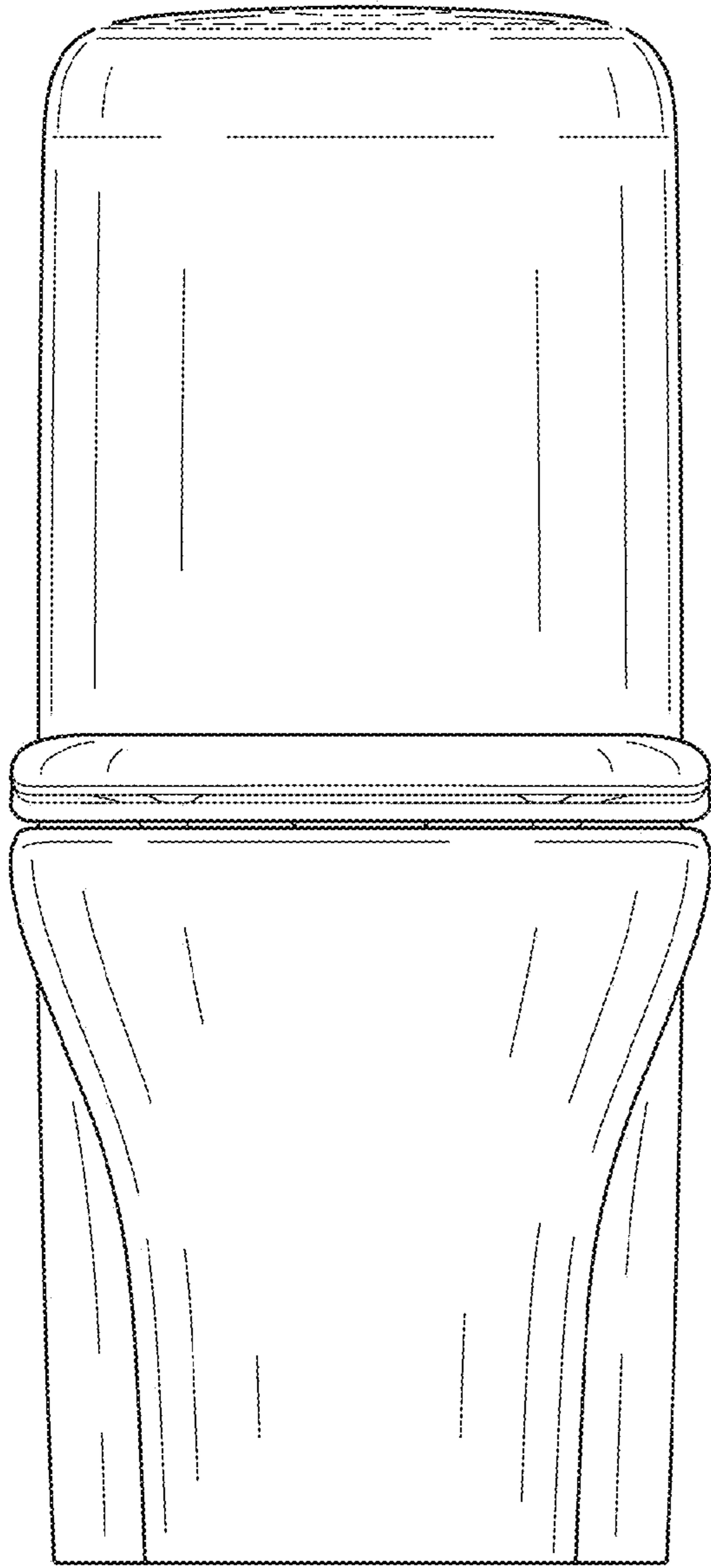


FIG. 2

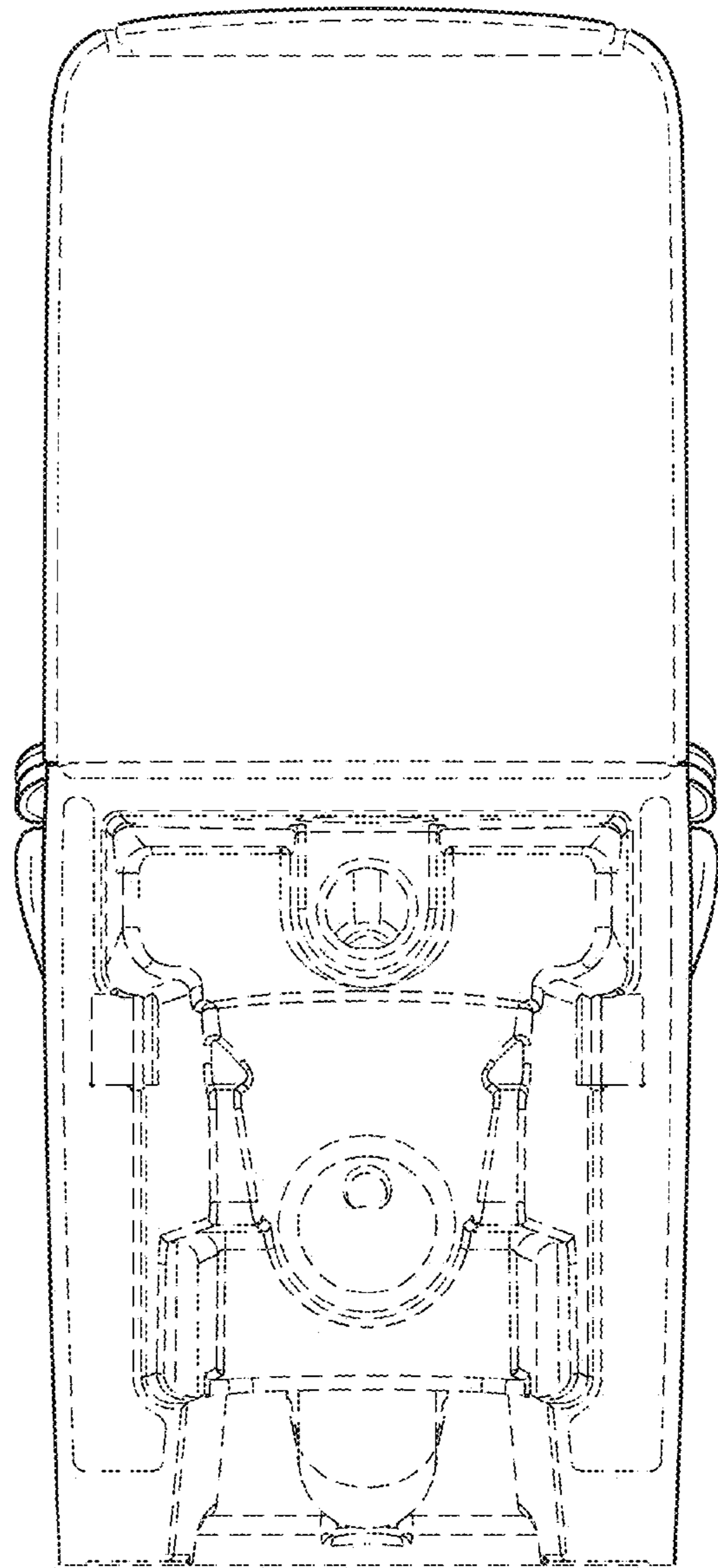


FIG. 3

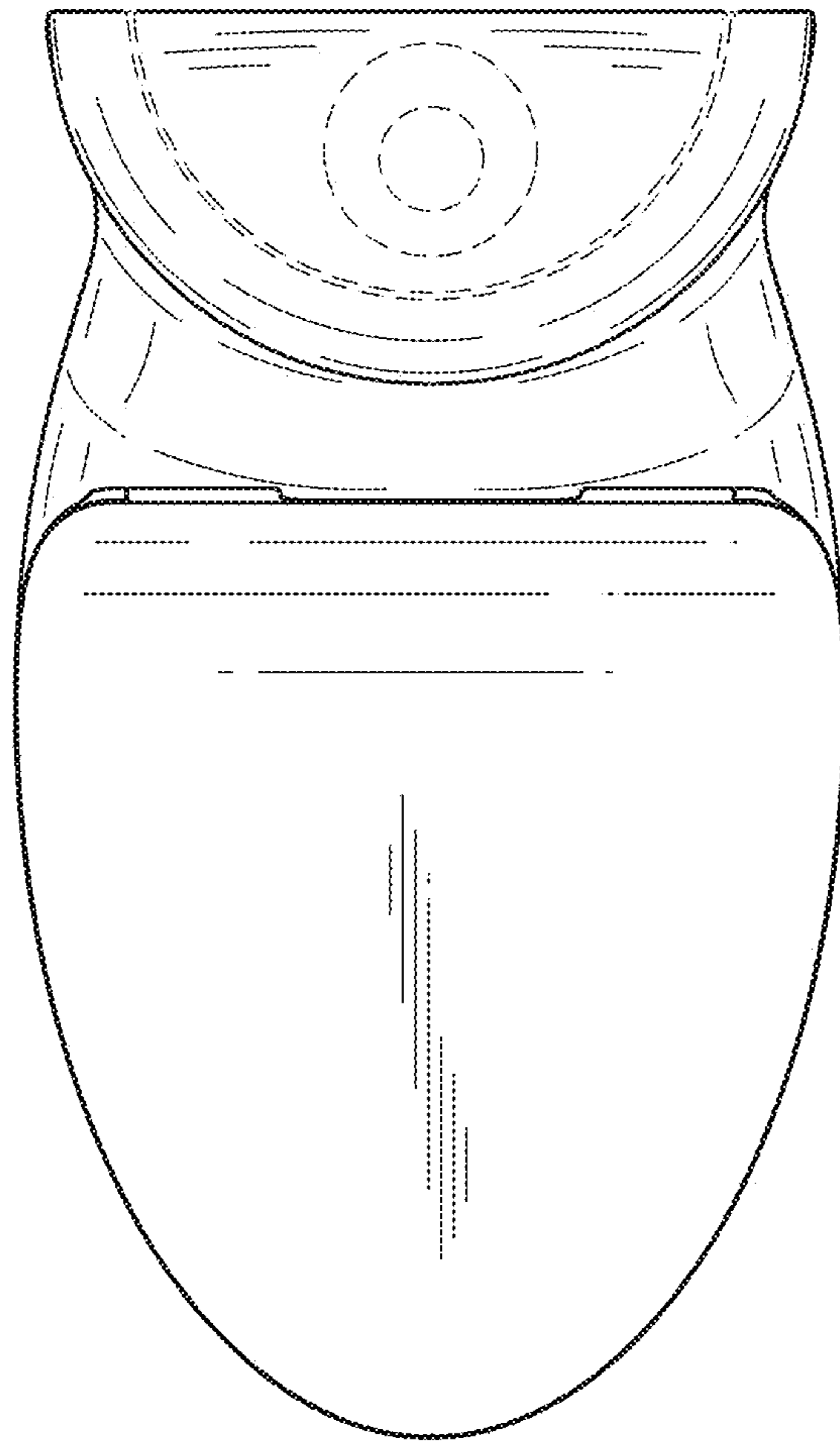


FIG. 4

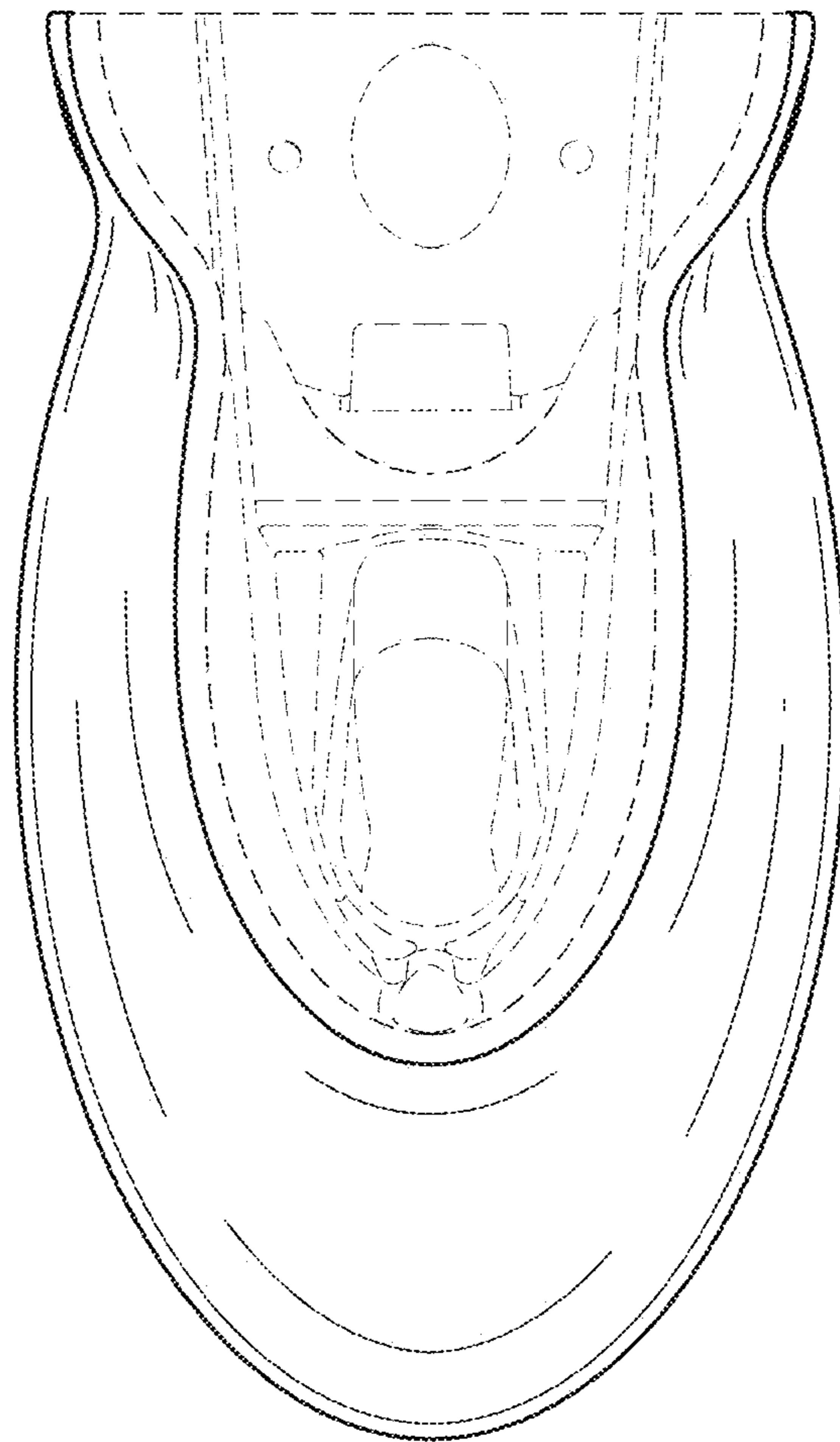


FIG. 5



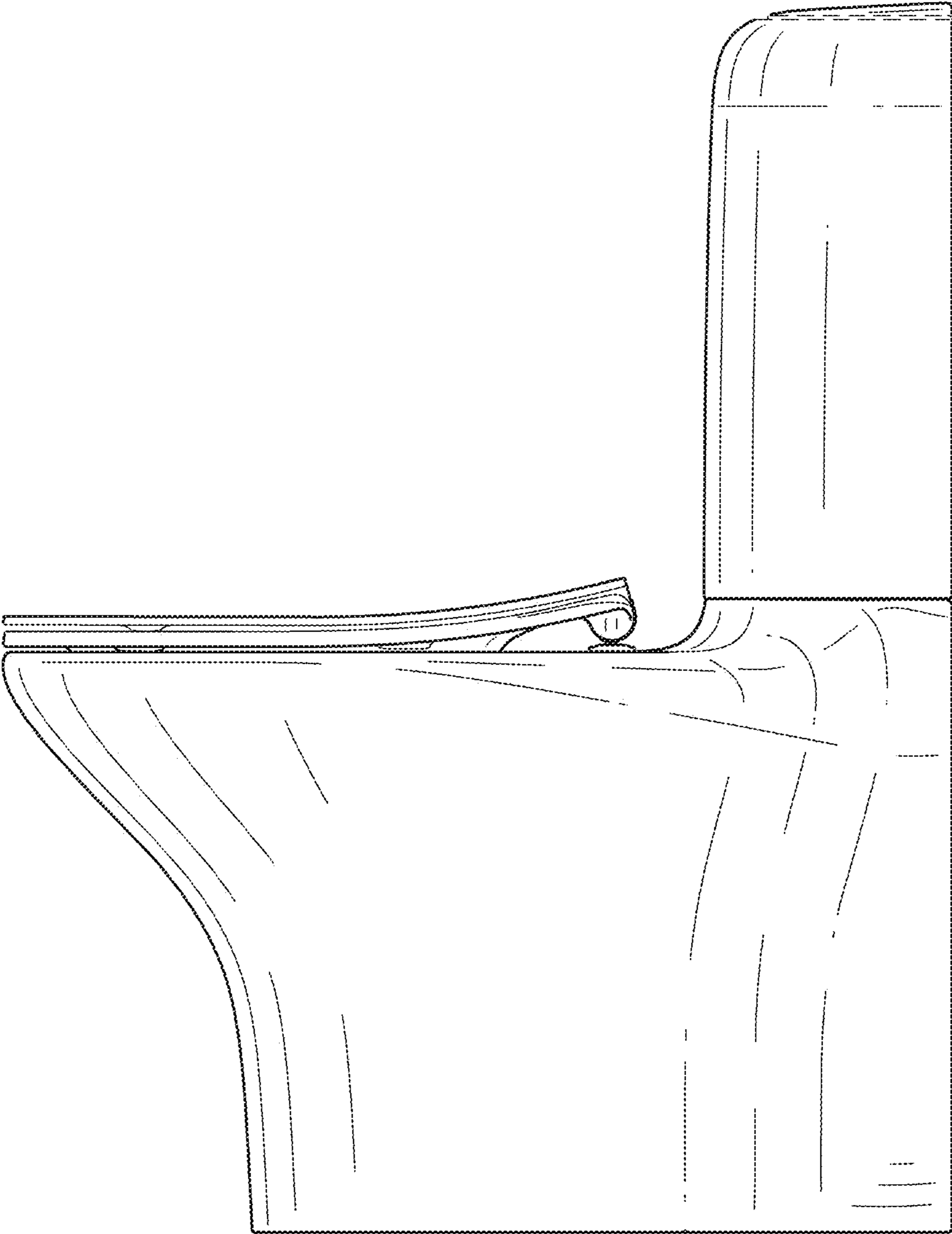


FIG. 6

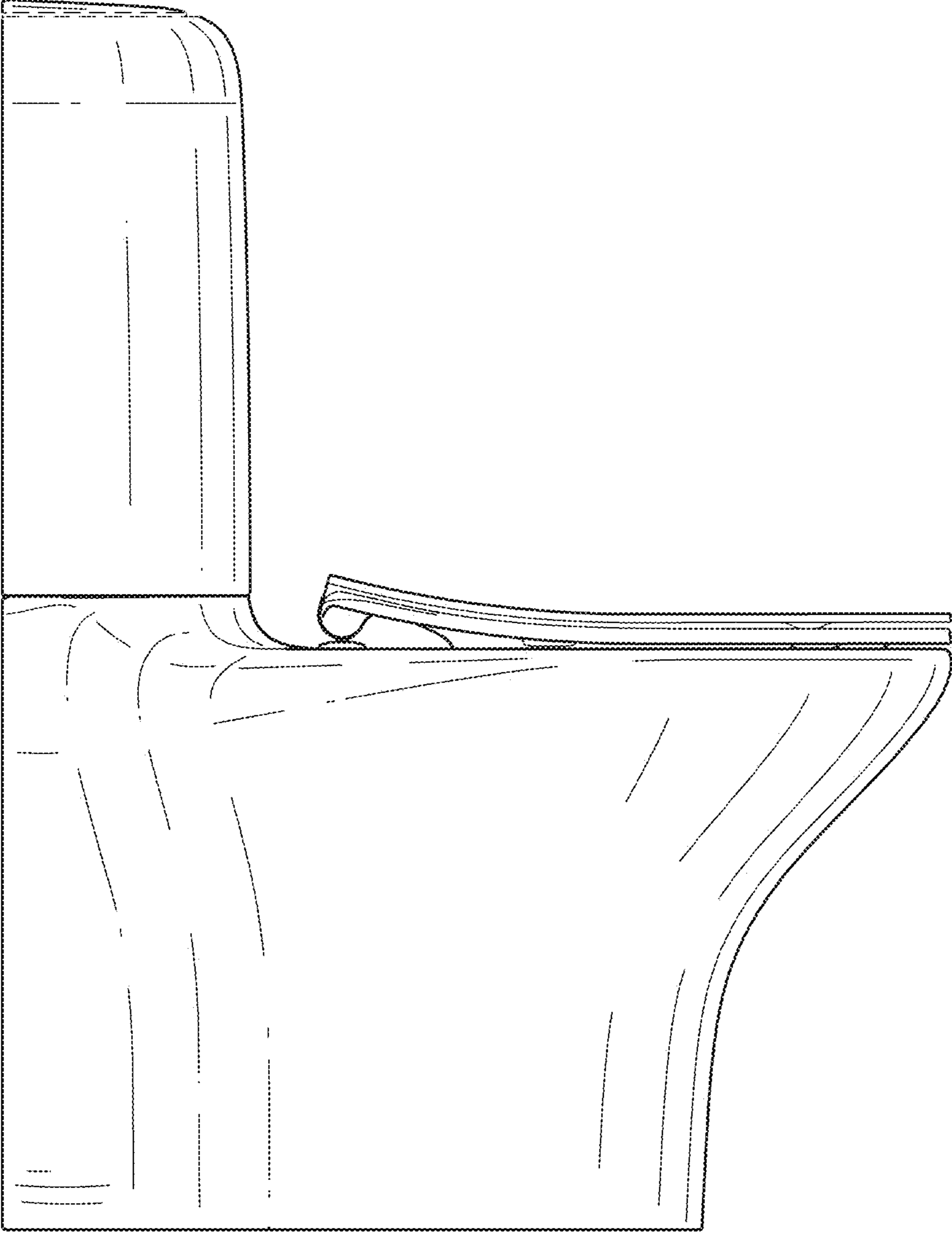


FIG. 7