



US00D869622S

(12) **United States Design Patent** (10) **Patent No.:** **US D869,622 S**
Streng (45) **Date of Patent:** **** Dec. 10, 2019**

- (54) **SINK**
- (71) Applicant: **Zurn Industries, LLC**, Milwaukee, WI (US)
- (72) Inventor: **Christopher R. Streng**, Carpentersville, IL (US)
- (73) Assignee: **ZURN INDUSTRIES, LLC**, Milwaukee, WI (US)
- (**) Term: **15 Years**
- (21) Appl. No.: **29/621,511**
- (22) Filed: **Oct. 9, 2017**
- (51) **LOC (12) Cl.** **23-02**
- (52) **U.S. Cl.**
USPC **D23/290**
- (58) **Field of Classification Search**
USPC D23/284, 293.1, 287-292, 303, 308;
D9/425
CPC A47K 1/04; A47B 77/06; A47J 47/20
See application file for complete search history.

(56) **References Cited**

U.S. PATENT DOCUMENTS

D504,170 S	4/2005	Kergoet	
D538,905 S *	3/2007	Wano	D23/293.1
D609,315 S *	2/2010	Soulier	D23/293.1
D625,792 S *	10/2010	Rundberg	D23/308
D629,877 S *	12/2010	Rundberg	D23/308
D645,548 S *	9/2011	Ando	D23/284
D687,530 S *	8/2013	McGuire	D23/308
D735,838 S *	8/2015	Bartlett	D23/290
D744,074 S	11/2015	Adkison et al.	
D744,620 S	12/2015	Adkison et al.	
D745,122 S	12/2015	Schönherr et al.	
D810,249 S *	2/2018	Belozerova	D23/293.1
D810,896 S *	2/2018	Streng	D23/293.1

(Continued)

Primary Examiner — Karen E Kearney
Assistant Examiner — John A Voytek
(74) *Attorney, Agent, or Firm* — Michael Best & Friedrich LLP

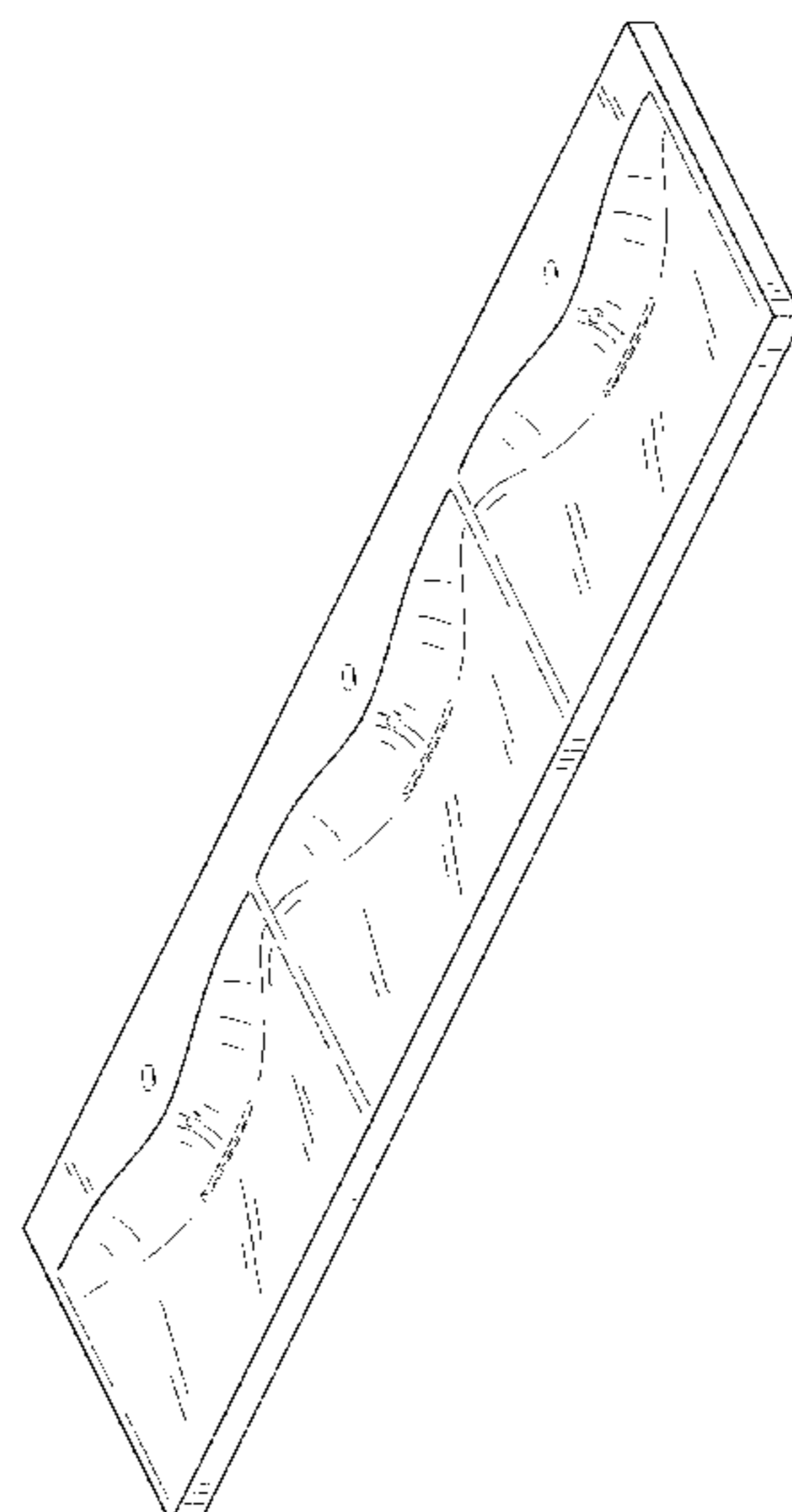
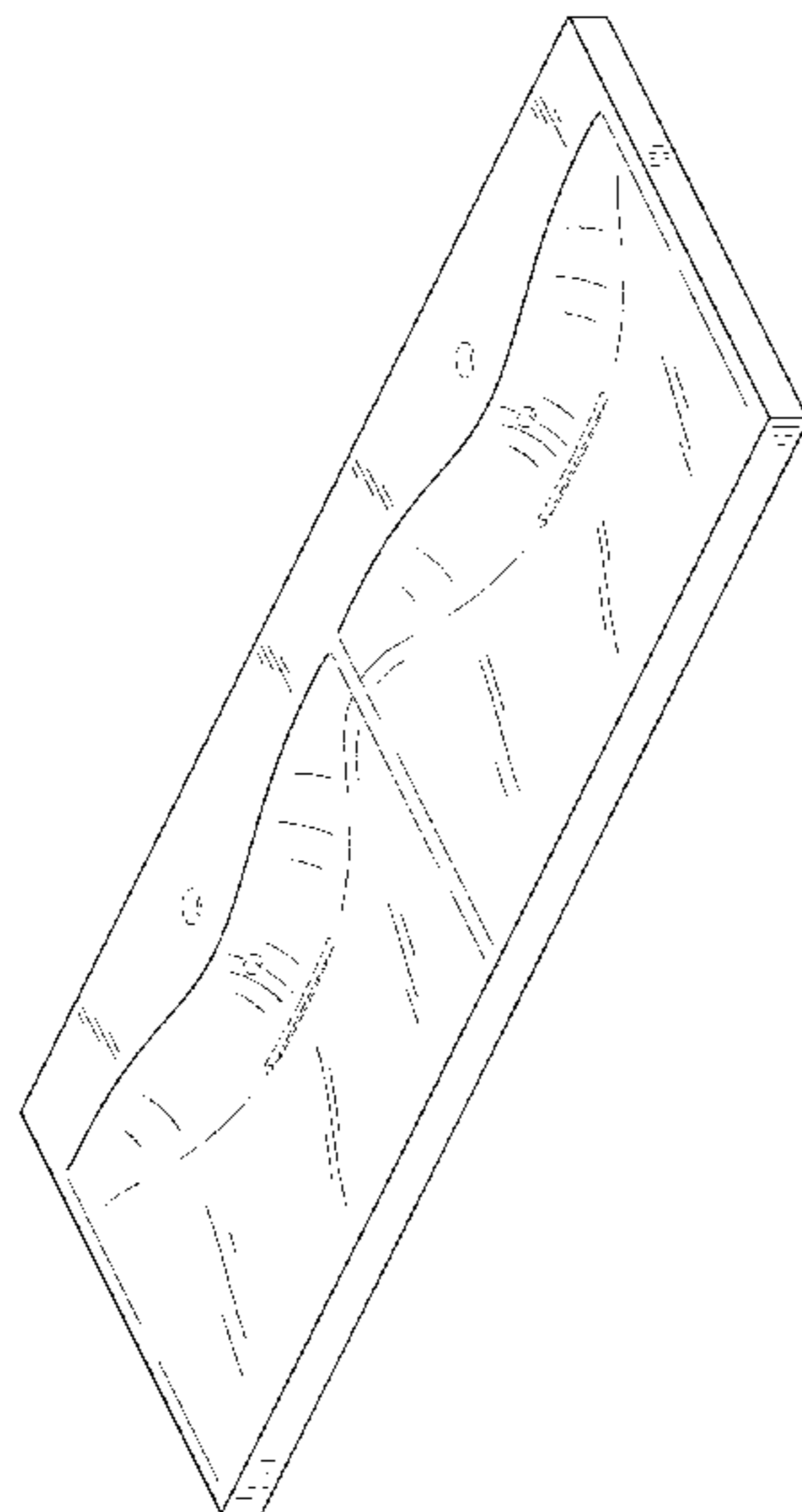
(57) **CLAIM**

The ornamental design for a sink, as shown and described.

DESCRIPTION

FIG. 1 is a top, front, and right side perspective view of a sink in accordance with a first embodiment of the design in which the sink has two basins, each basin being identical; FIG. 2 is a top plan view of the sink of FIG. 1; FIG. 3 is a front elevational view of the sink of FIG. 1; FIG. 4 is a rear elevational view of the sink of FIG. 1; FIG. 5 is a right side elevational view of the sink of FIG. 1; FIG. 6 is a left side elevational view of the sink of FIG. 1; FIG. 7 is a bottom plan view of the sink of FIG. 1; FIG. 8 is a cross-sectional side view of the sink of FIG. 1 taken through line 8-8 of FIG. 2; FIG. 9 is a top, front, and right side perspective view of a sink in accordance with a second embodiment of the design in which the sink has three basins, each basin being identical; FIG. 10 is a top plan view of the sink of FIG. 9; FIG. 11 is a front elevational view of the sink of FIG. 9; FIG. 12 is a rear elevational view of the sink of FIG. 9; FIG. 13 is a right side elevational view of the sink of FIG. 9; FIG. 14 is a left side elevational view of the sink of FIG. 9; FIG. 15 is a bottom plan view of the sink of FIG. 9; and, FIG. 16 is a cross-sectional side view of the sink of FIG. 9 taken through line 16-16 of FIG. 10. The dash-dash broken lines are for the purpose of illustrating unclaimed subject matter only and form no part of the claimed design.

1 Claim, 10 Drawing Sheets



(56)

References Cited

U.S. PATENT DOCUMENTS

D810,897 S *	2/2018	Streng	D23/293.1
D813,996 S *	3/2018	Wieser	D23/284
D823,445 S *	7/2018	Adkison	D23/290
2014/0223658 A1 *	8/2014	Kempen	E03C 1/244 4/651

* cited by examiner

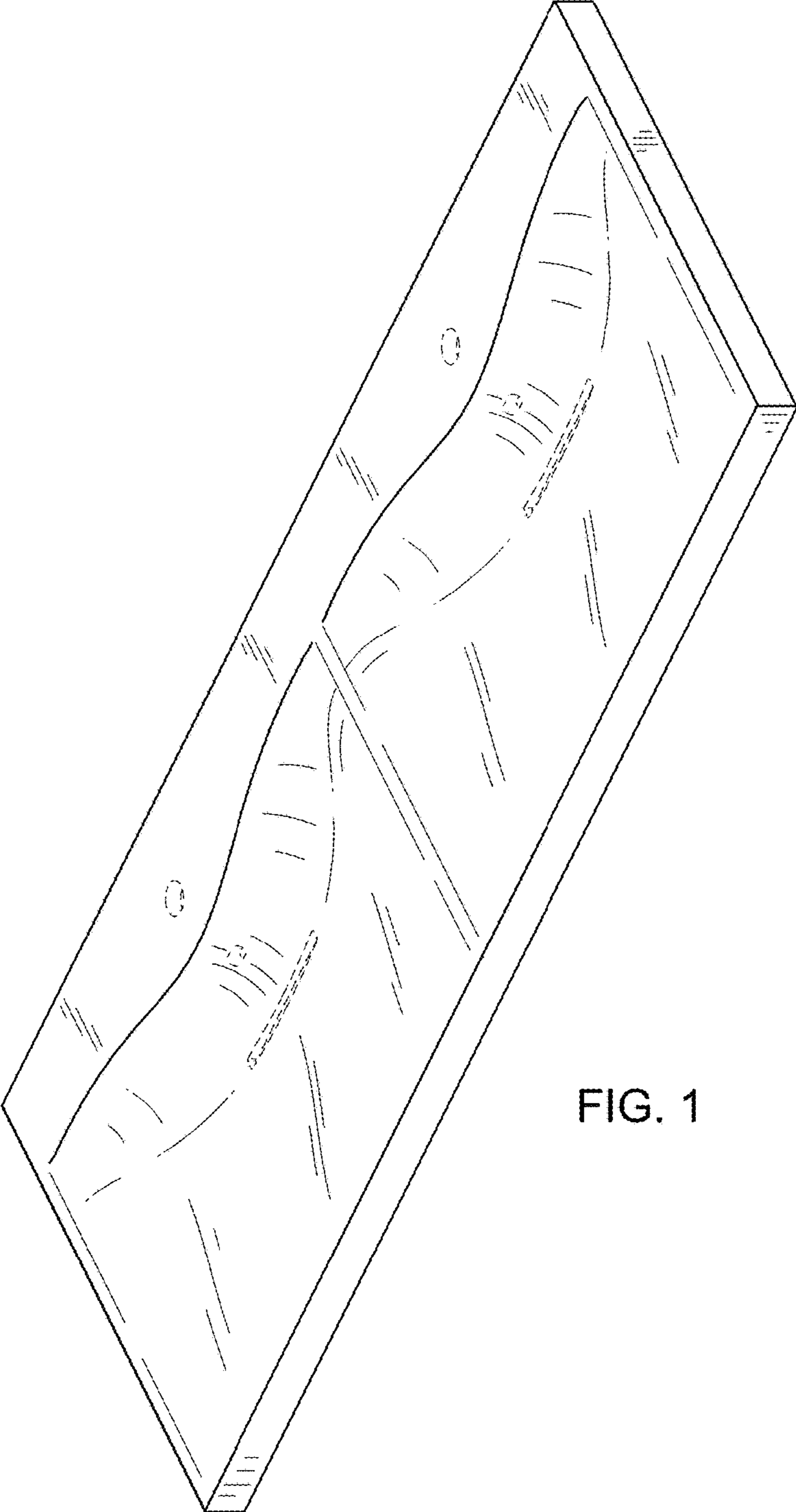


FIG. 1

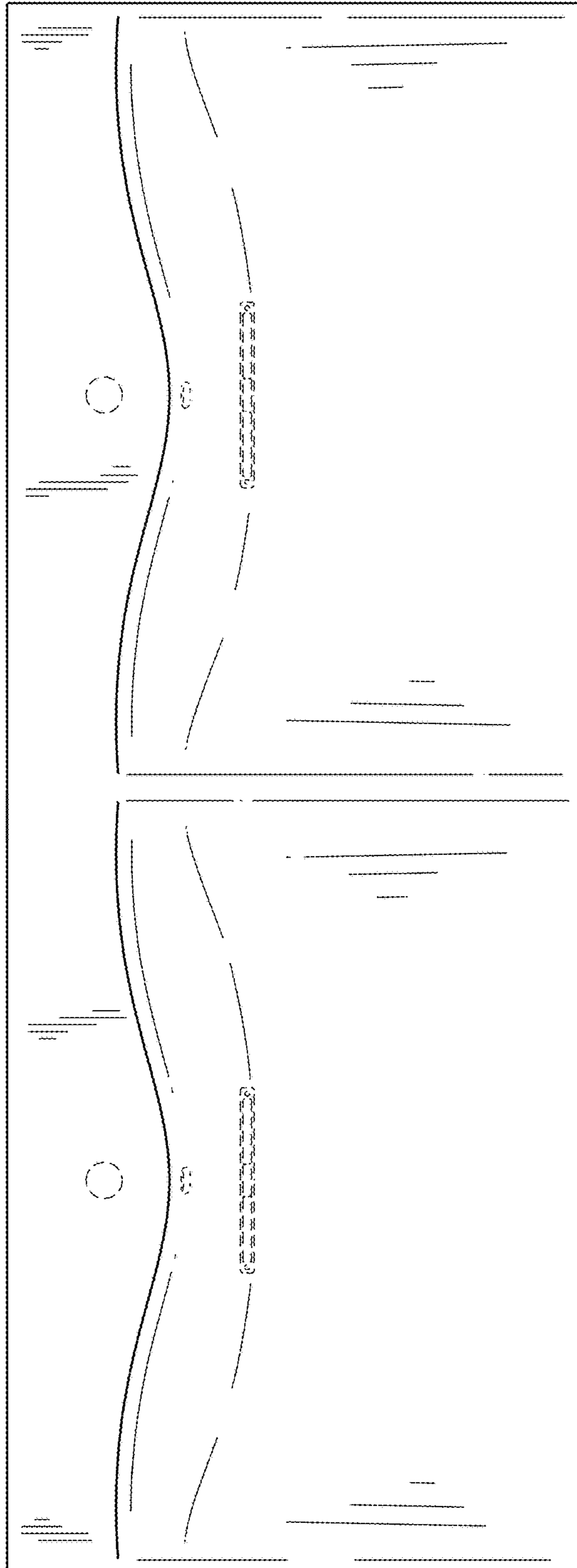


FIG. 2

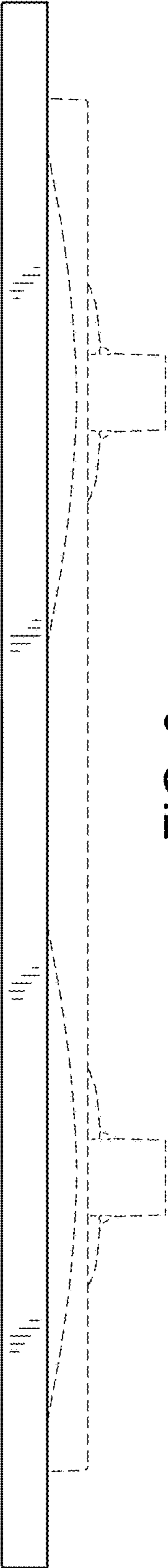


FIG. 3

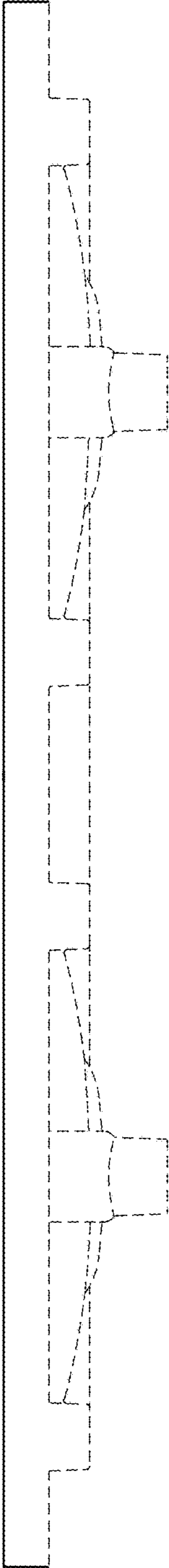


FIG. 4

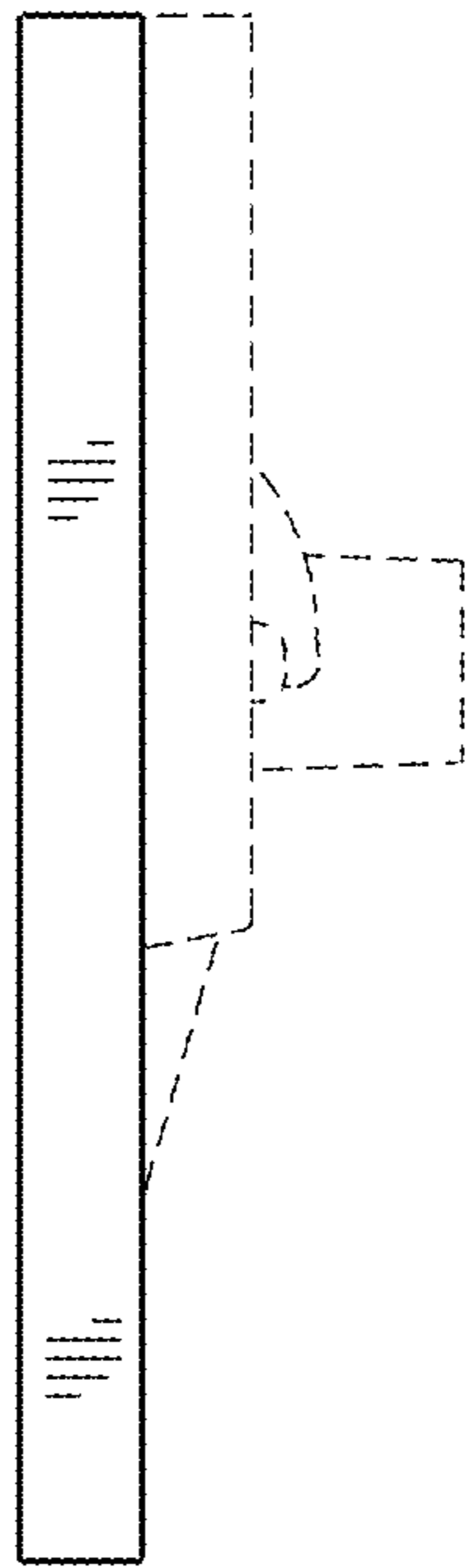


FIG. 5

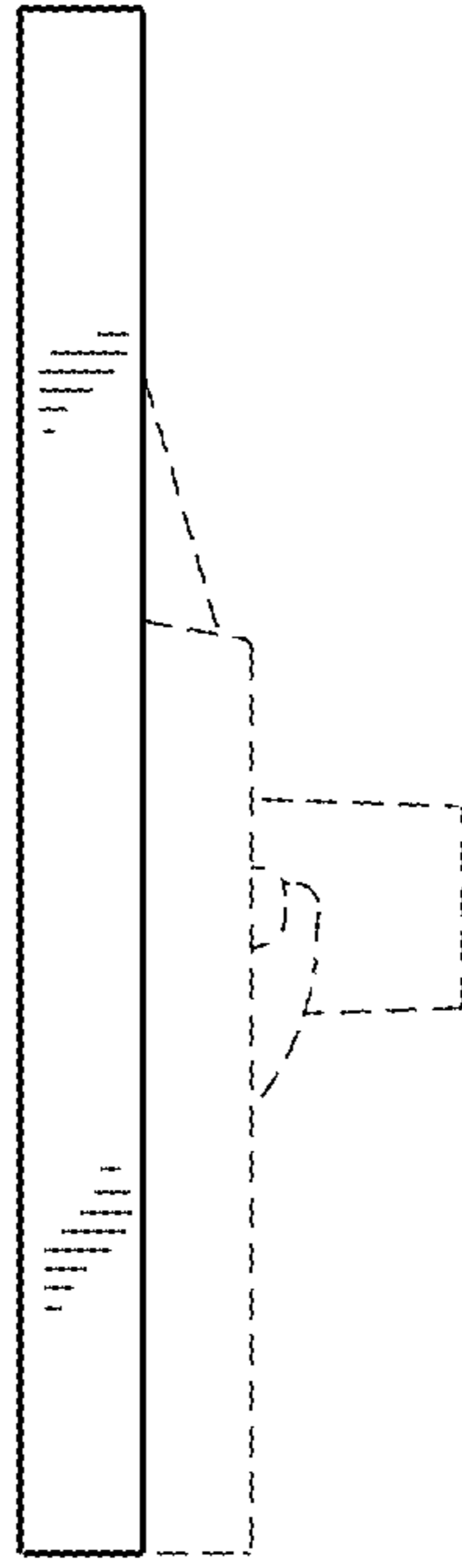


FIG. 6

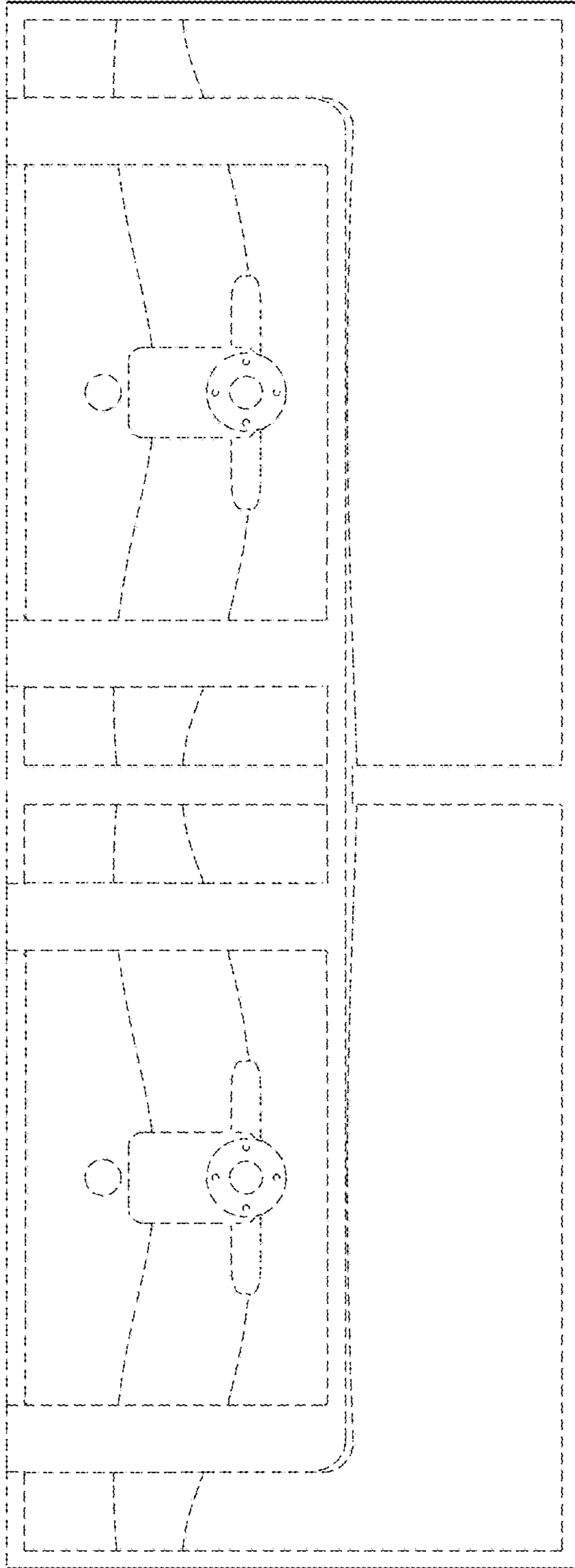


FIG. 7

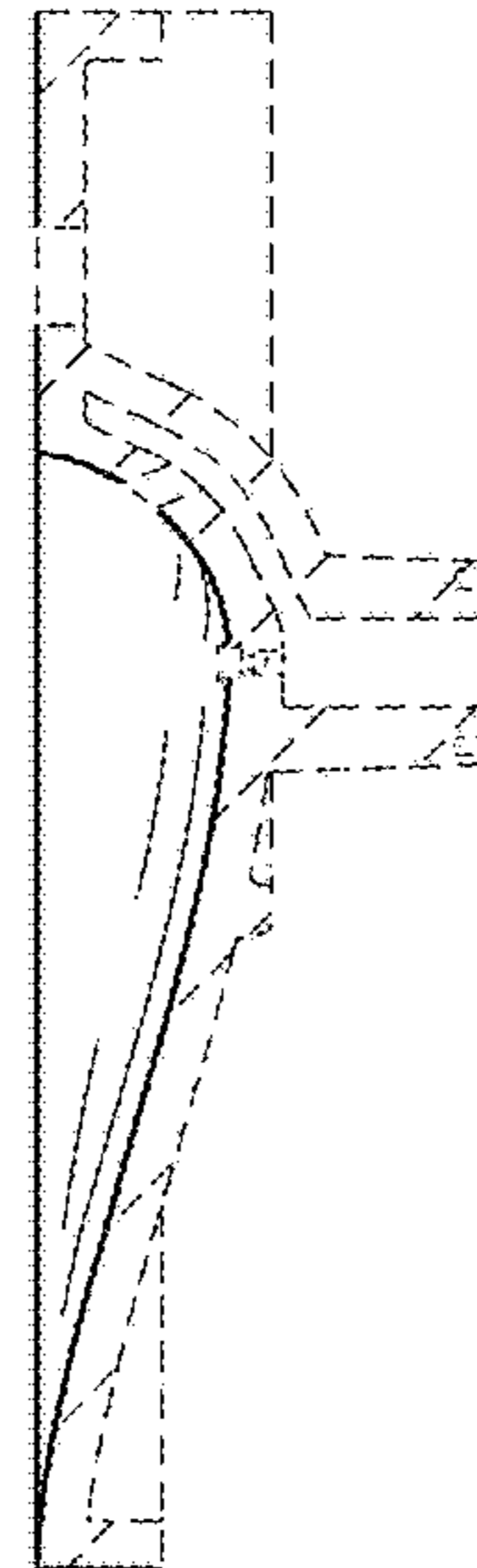


FIG. 8

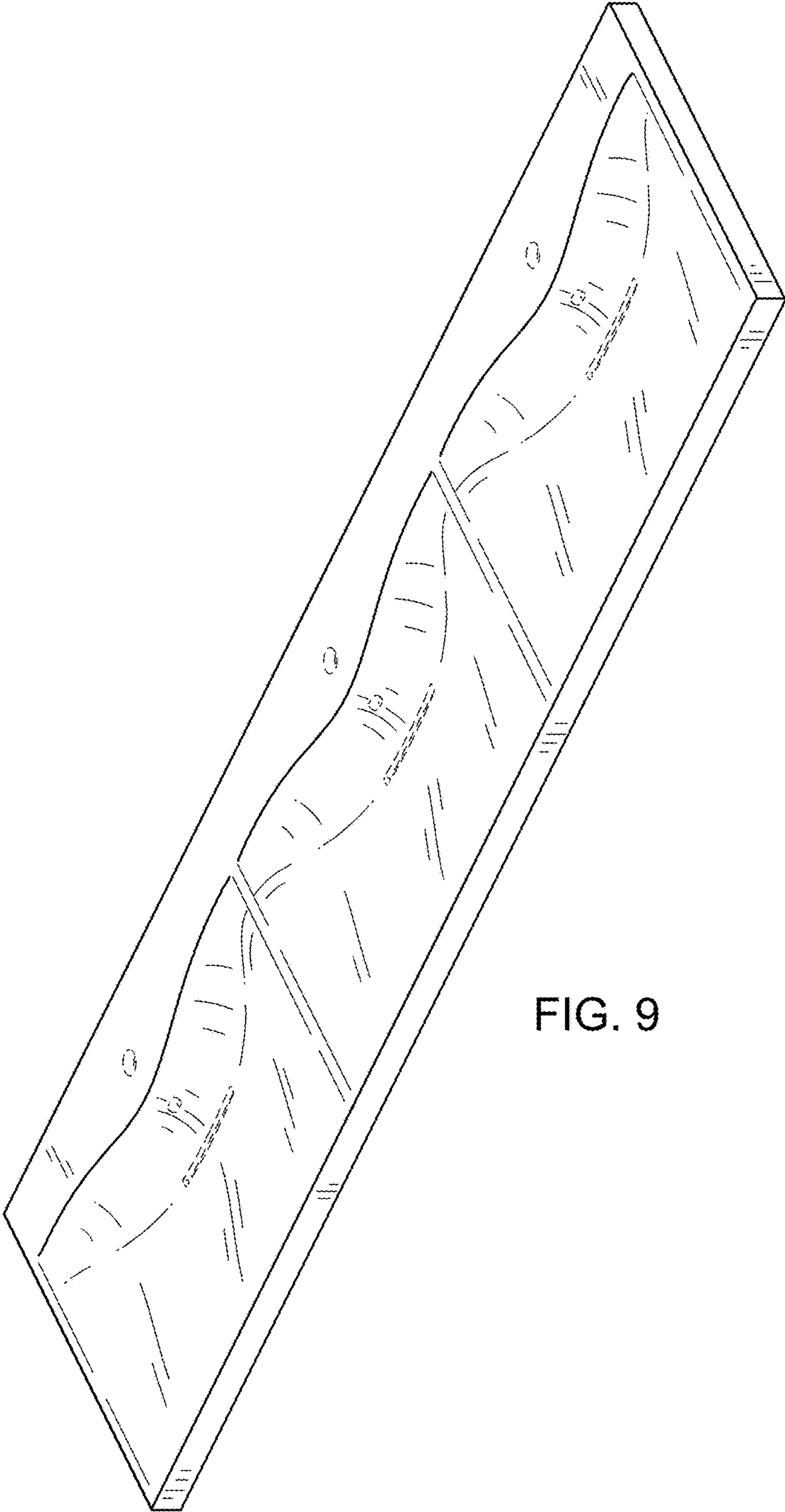


FIG. 9

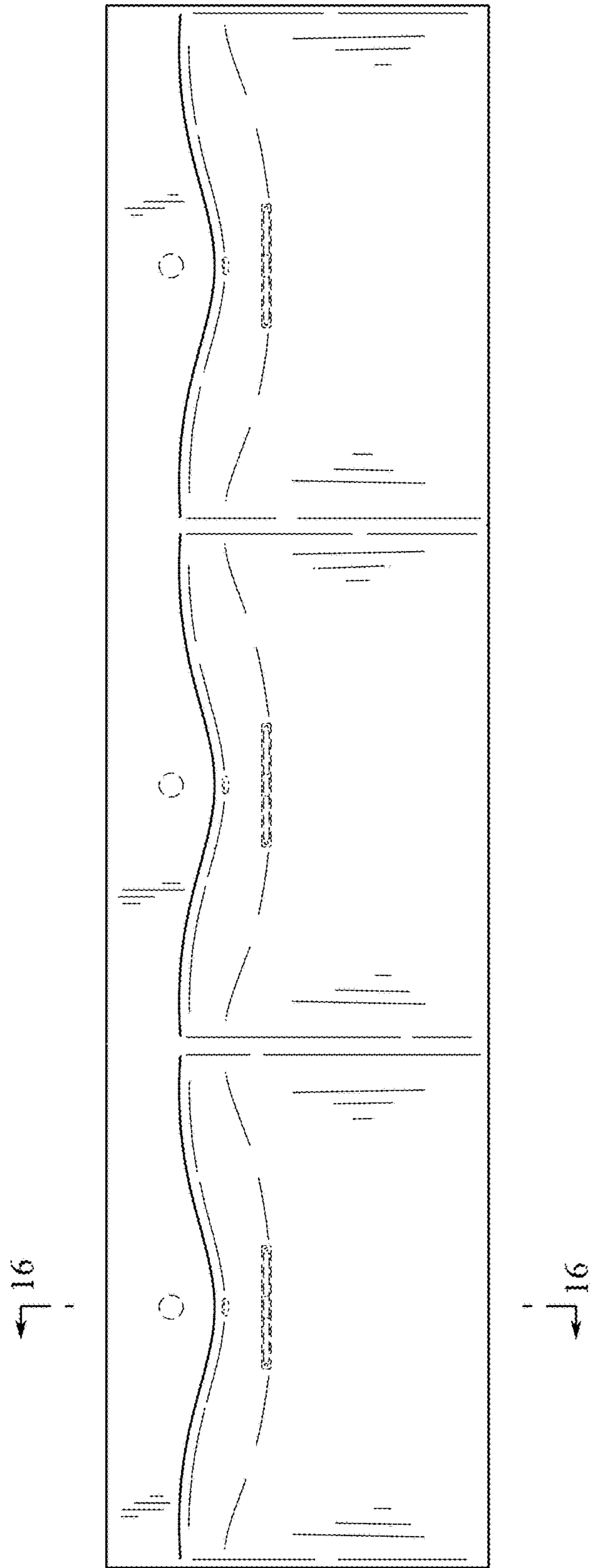


FIG. 10



FIG. 11

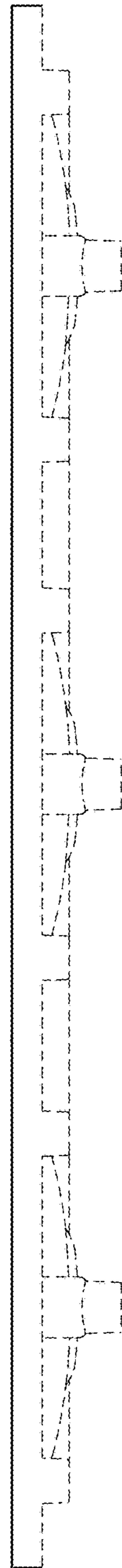


FIG. 12

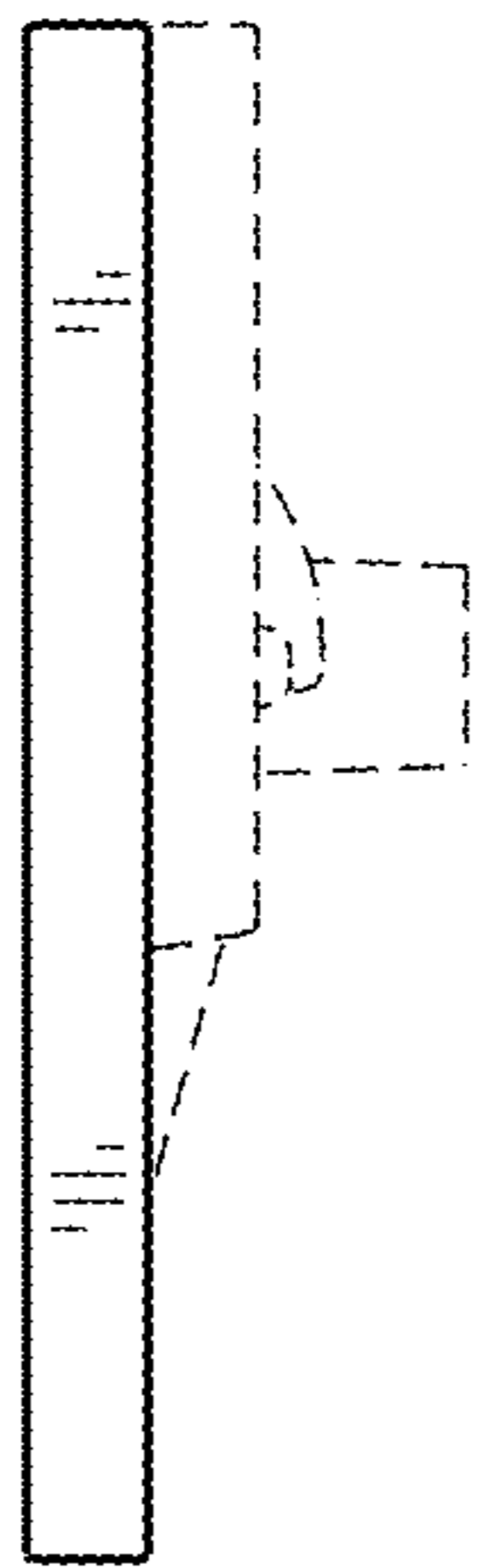


FIG. 13



FIG. 14

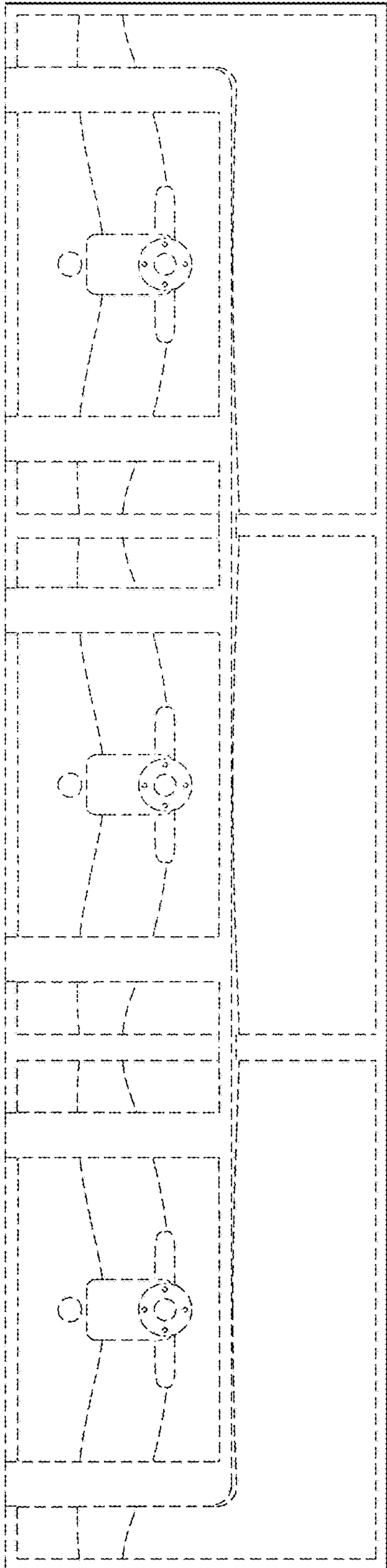


FIG. 15



FIG. 16