

US00D869620S

(12) **United States Design Patent**  
**Kergoët**

(10) **Patent No.:** **US D869,620 S**

(45) **Date of Patent:** **\*\* Dec. 10, 2019**

(54) **LAVATORY**

(71) Applicant: **Kohler Co.**, Kohler, WI (US)

(72) Inventor: **François Kergoët**, Malakoff (FR)

(73) Assignee: **KOHLER CO.**, Kohler, WI (US)

(\*\*) Term: **15 Years**

(21) Appl. No.: **29/648,015**

(22) Filed: **May 17, 2018**

(51) **LOC (12) Cl.** ..... **23-01**

(52) **U.S. Cl.**  
USPC ..... **D23/288**

(58) **Field of Classification Search**  
USPC ..... D23/284, 288, 290, 308, 201  
See application file for complete search history.

(56) **References Cited**

U.S. PATENT DOCUMENTS

D116,564 S *	9/1939	Love	.....	D23/290
D127,274 S	3/1941	Kohler		
D202,411 S *	9/1965	Niemann	.....	D23/293.1
D318,522 S	7/1991	Yvetot		
D328,338 S *	7/1992	Ragonot	.....	D23/284
D366,102 S	1/1996	Bonnell		
D366,311 S	1/1996	Bonnell		
D369,855 S *	5/1996	Reid	.....	D23/293.1
D394,308 S *	5/1998	Bertoli	.....	D23/293.1
D529,147 S *	9/2006	Sutopo	.....	D23/284

D530,406 S	10/2006	Soulier		
D571,900 S *	6/2008	Daikubara	.....	D23/277
D610,660 S *	2/2010	Slothower	.....	D23/293.1
D634,408 S *	3/2011	Thomas	.....	D23/284
D663,017 S *	7/2012	Slothower	.....	D23/308

\* cited by examiner

*Primary Examiner* — Robert A Delehanty

(74) *Attorney, Agent, or Firm* — Foley & Larnder LLP

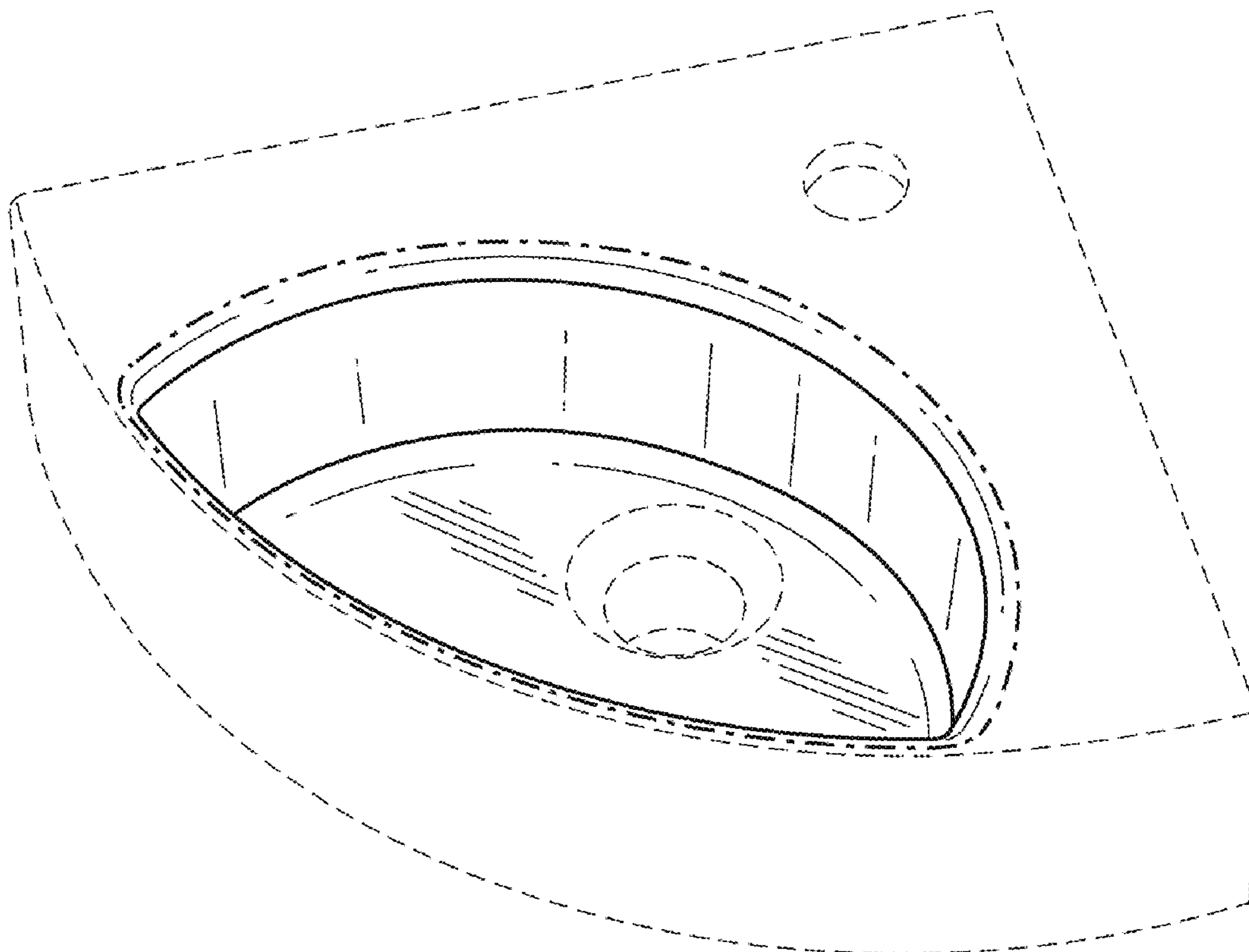
(57) **CLAIM**

I claim the ornamental design for a lavatory, as shown and described.

**DESCRIPTION**

FIG. 1 is a perspective view of an embodiment of the claimed design;  
FIG. 2 is a top view of the embodiment of FIG. 1;  
FIG. 3 is a bottom view of the embodiment of FIG. 1;  
FIG. 4 is a front view of the embodiment of FIG. 1;  
FIG. 5 is a rear view of the embodiment of FIG. 1;  
FIG. 6 is a side view of the embodiment of FIG. 1; and,  
FIG. 7 is another side view of the embodiment of FIG. 1.  
The ornamental design which is claimed is shown in solid lines in the drawings. The broken lines in the drawings are for illustrative purposes only and form no part of the claimed design. Broken lines formed of unequal length dashes (i.e., dash-dot) define bounds of the claimed design.

**1 Claim, 4 Drawing Sheets**



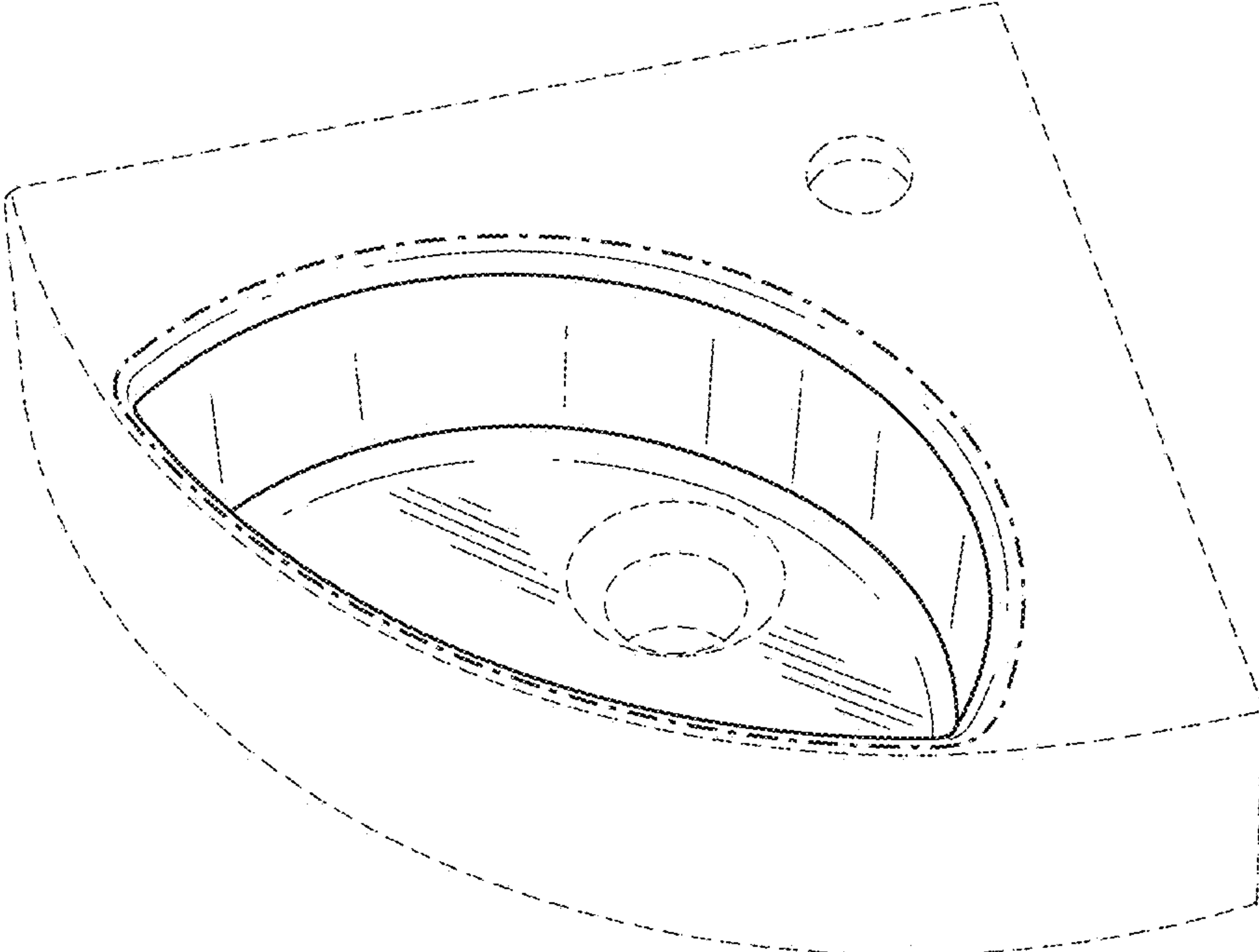


FIG. 1

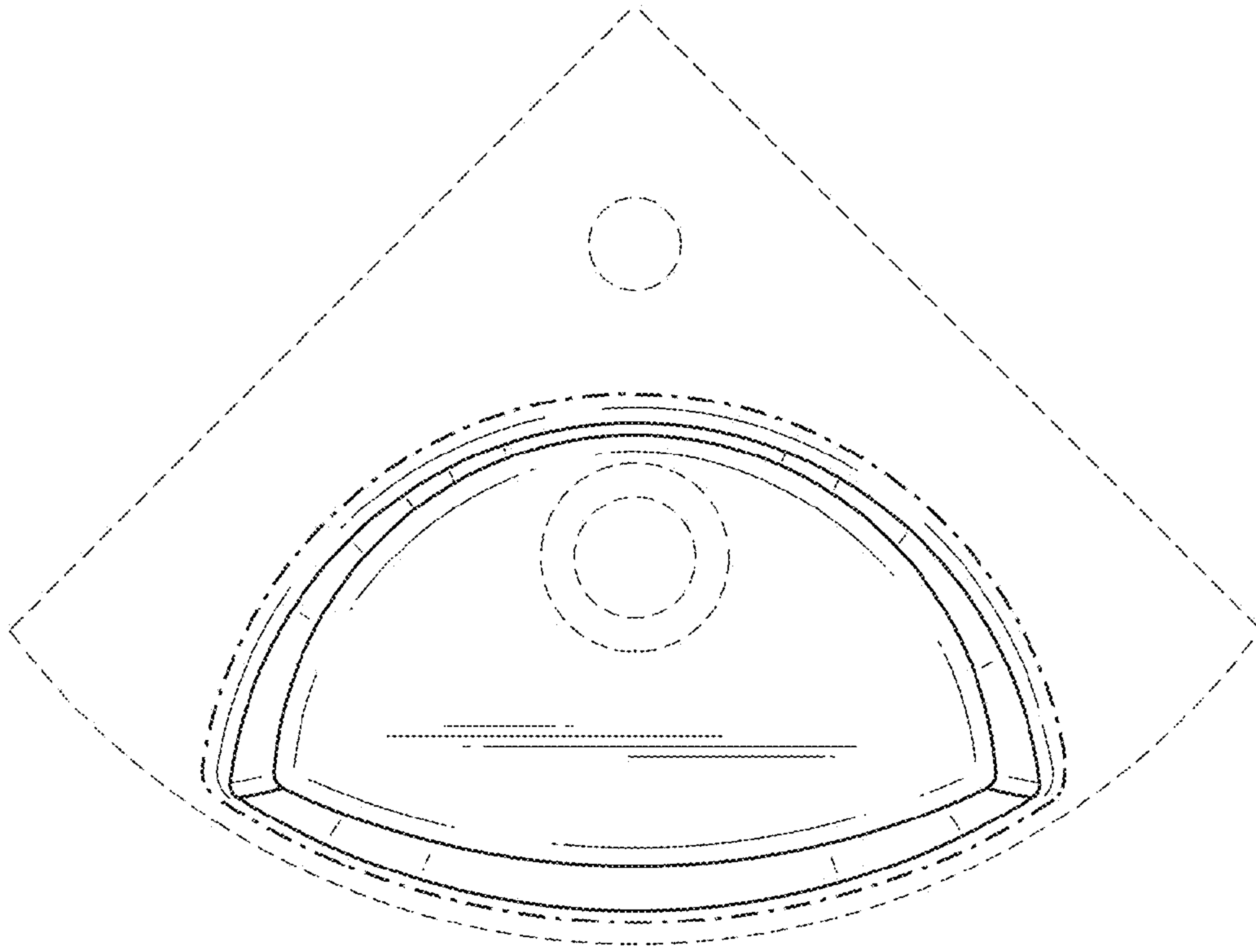


FIG. 2

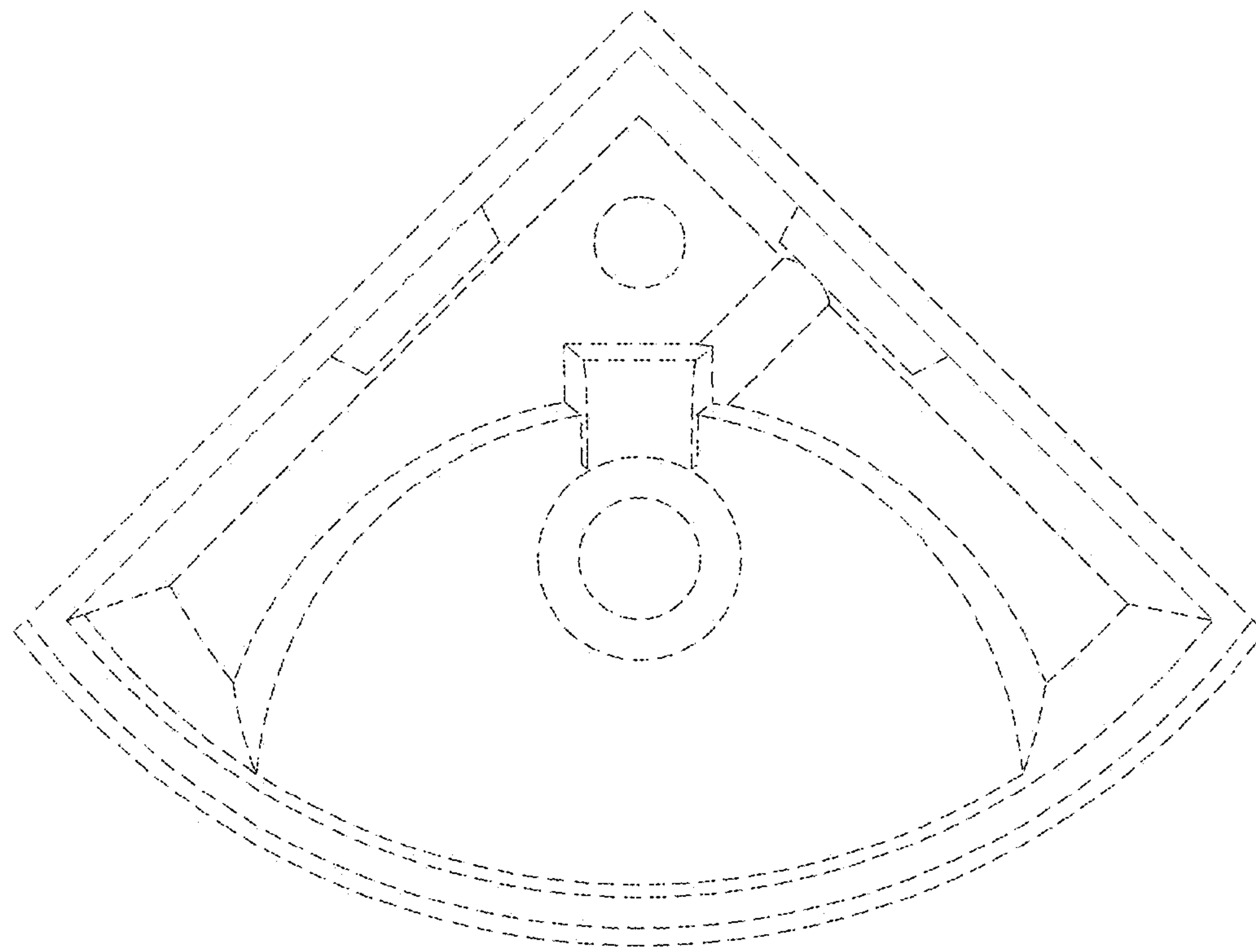


FIG. 3

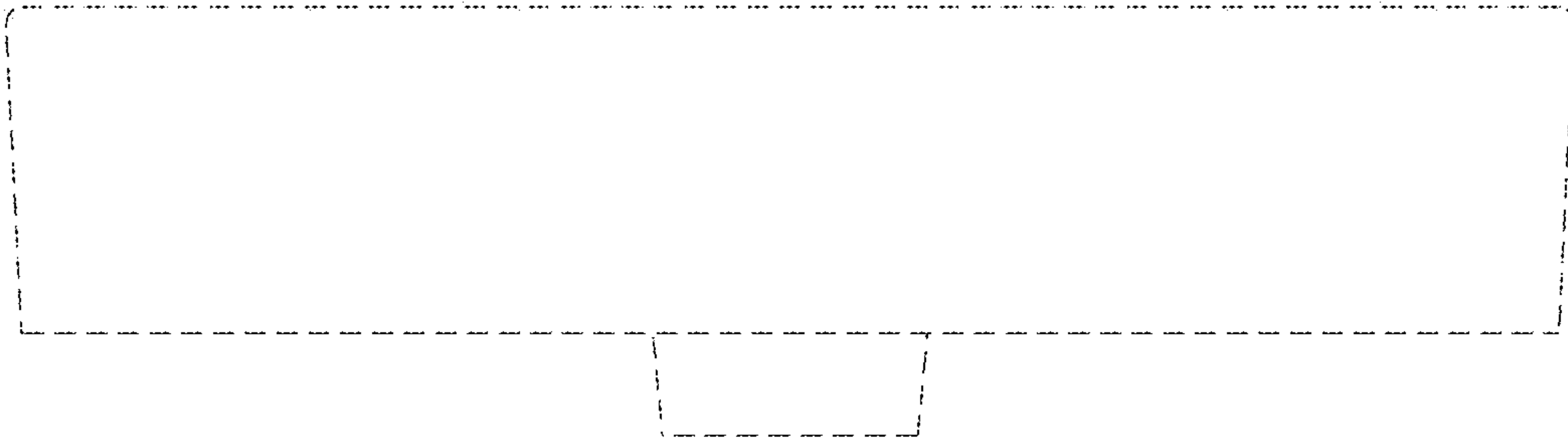


FIG. 4

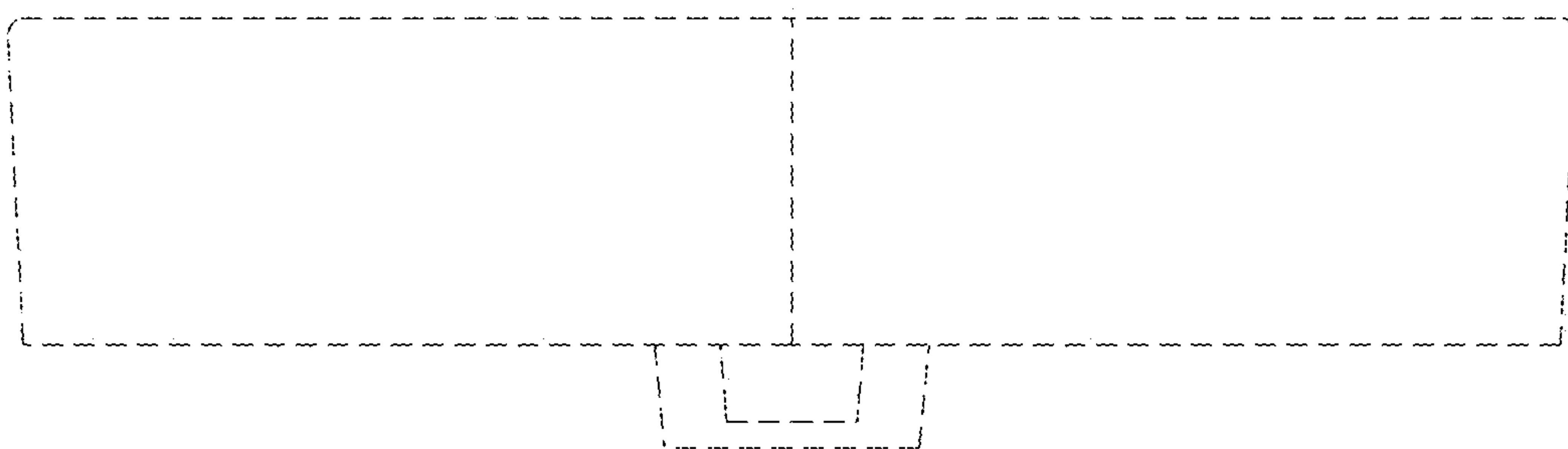


FIG. 5

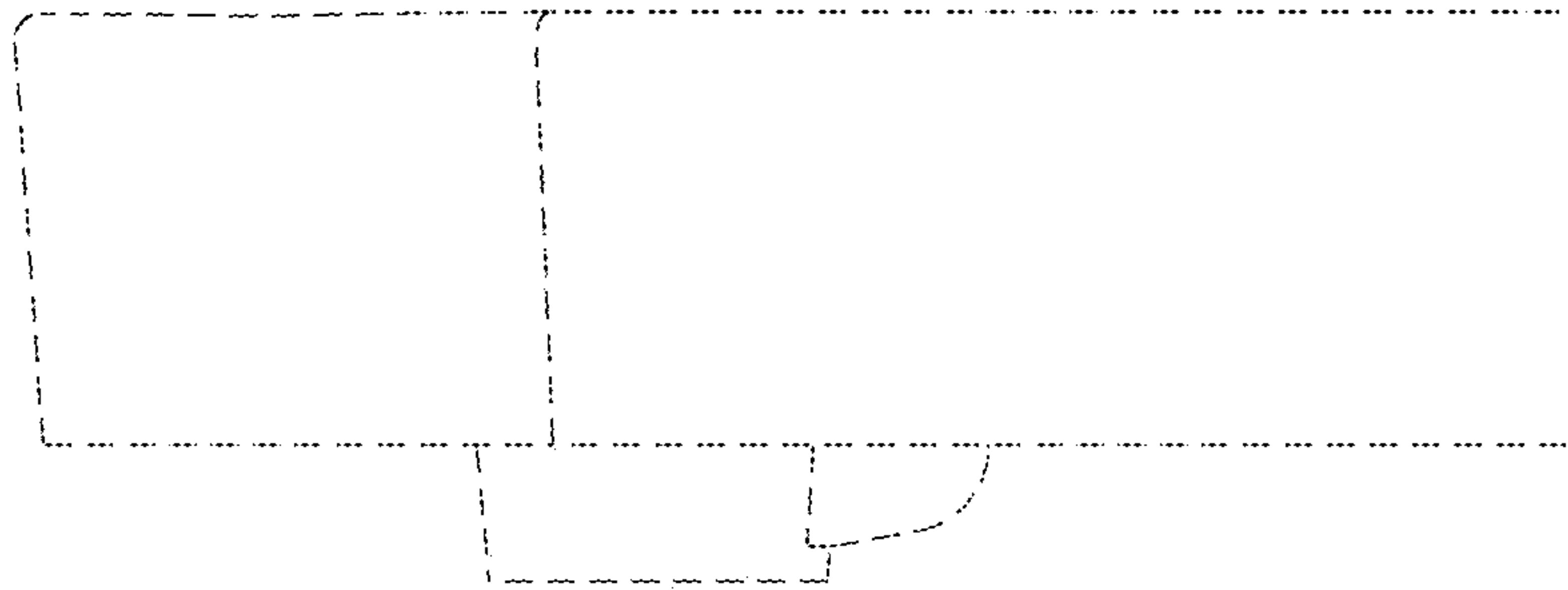


FIG. 6

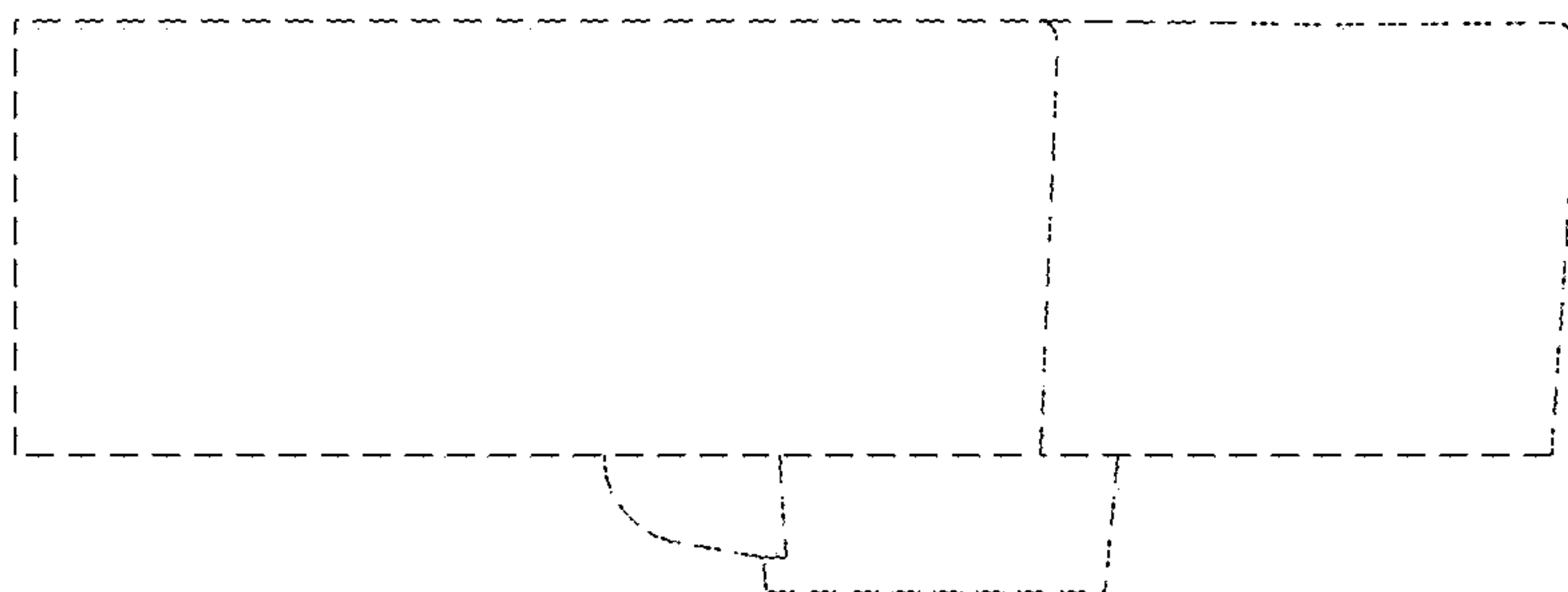


FIG. 7