



US00D869618S

(12) **United States Design Patent**
Walther et al.

(10) **Patent No.:** **US D869,618 S**

(45) **Date of Patent:** **** Dec. 10, 2019**

(54) **SINK**

D651,699 S * 1/2012 Booth D23/284
D655,798 S * 3/2012 Miller D23/284
10,151,085 B2 * 12/2018 Chong E03C 1/18

(71) Applicant: **BLANCO GmbH + Co KG**,
Oberderdingen (DE)

* cited by examiner

(72) Inventors: **Nicoline Walther**, Plochingen (DE);
Jochen Killian, Schützingen (DE); **Eric Gundersen**, Medford, NJ (US)

Primary Examiner — Robert A Delehanty

(74) *Attorney, Agent, or Firm* — Hanley, Flight and
Zimmerman, LLC

(73) Assignee: **BLANCO GmbH + Co KG**,
Oberderdingen (DE)

(**) Term: **15 Years**

(57) **CLAIM**

(21) Appl. No.: **29/662,990**

The ornamental design for a “sink”, as shown and described.

(22) Filed: **Sep. 11, 2018**

(51) **LOC (12) Cl.** **23-02**

(52) **U.S. Cl.**

USPC **D23/284**

(58) **Field of Classification Search**

USPC D23/284, 293.1, 308

See application file for complete search history.

DESCRIPTION

FIG. 1 is a perspective view of a sink.

FIG. 2 is a top plan view of the sink of FIG. 1.

FIG. 3 is a bottom plan view of the sink of FIG. 1.

FIG. 4 is a front view of the sink of FIG. 1.

FIG. 5 is a rear view of the sink of FIG. 1.

FIG. 6 is a left side view of the sink of FIG. 1; and,

FIG. 7 is a right side view of the sink of FIG. 1.

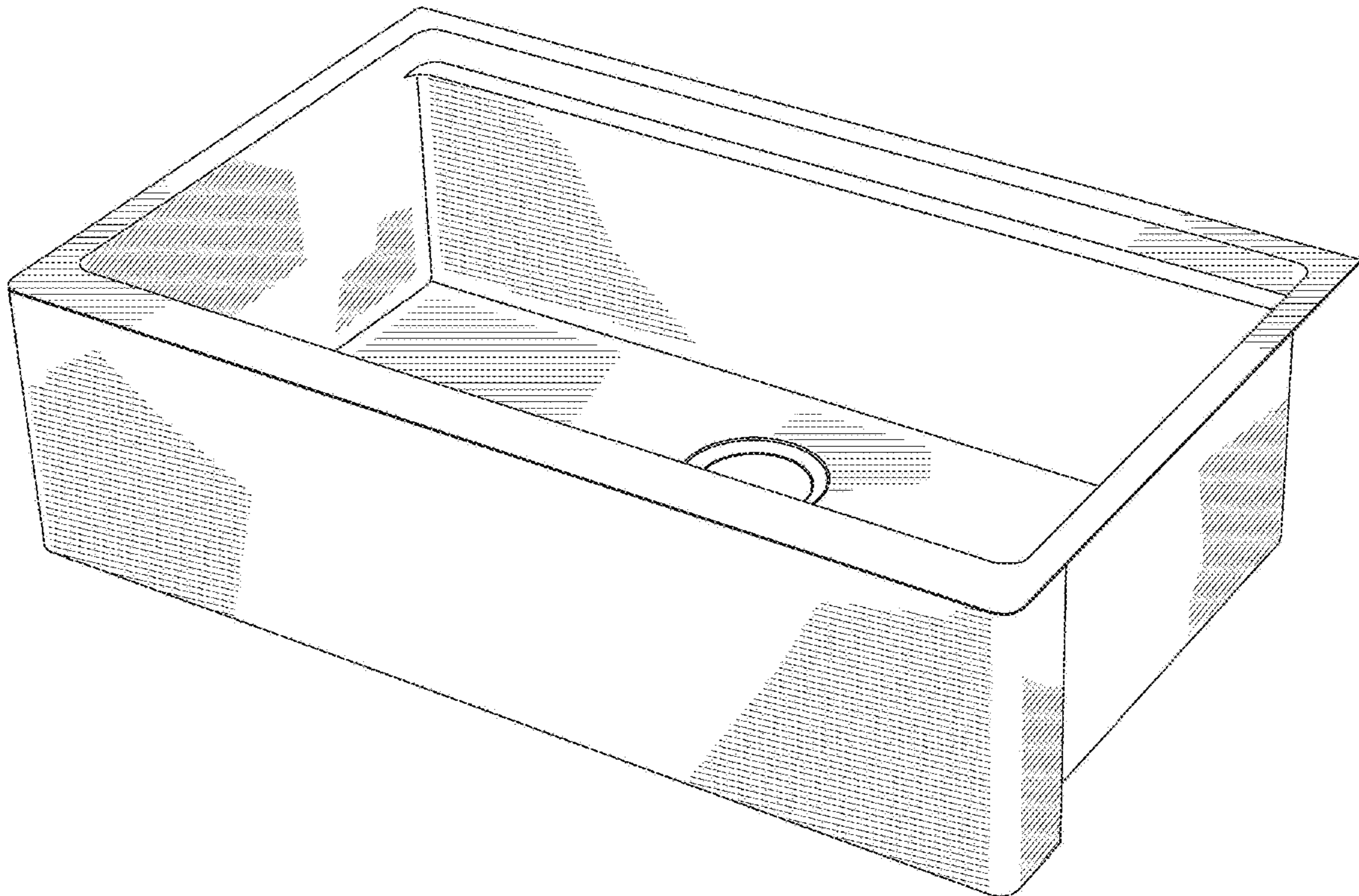
(56) **References Cited**

U.S. PATENT DOCUMENTS

D353,652 S * 12/1994 Dannenberg D23/290

D492,983 S * 7/2004 Rachiele D23/293.1

1 Claim, 7 Drawing Sheets



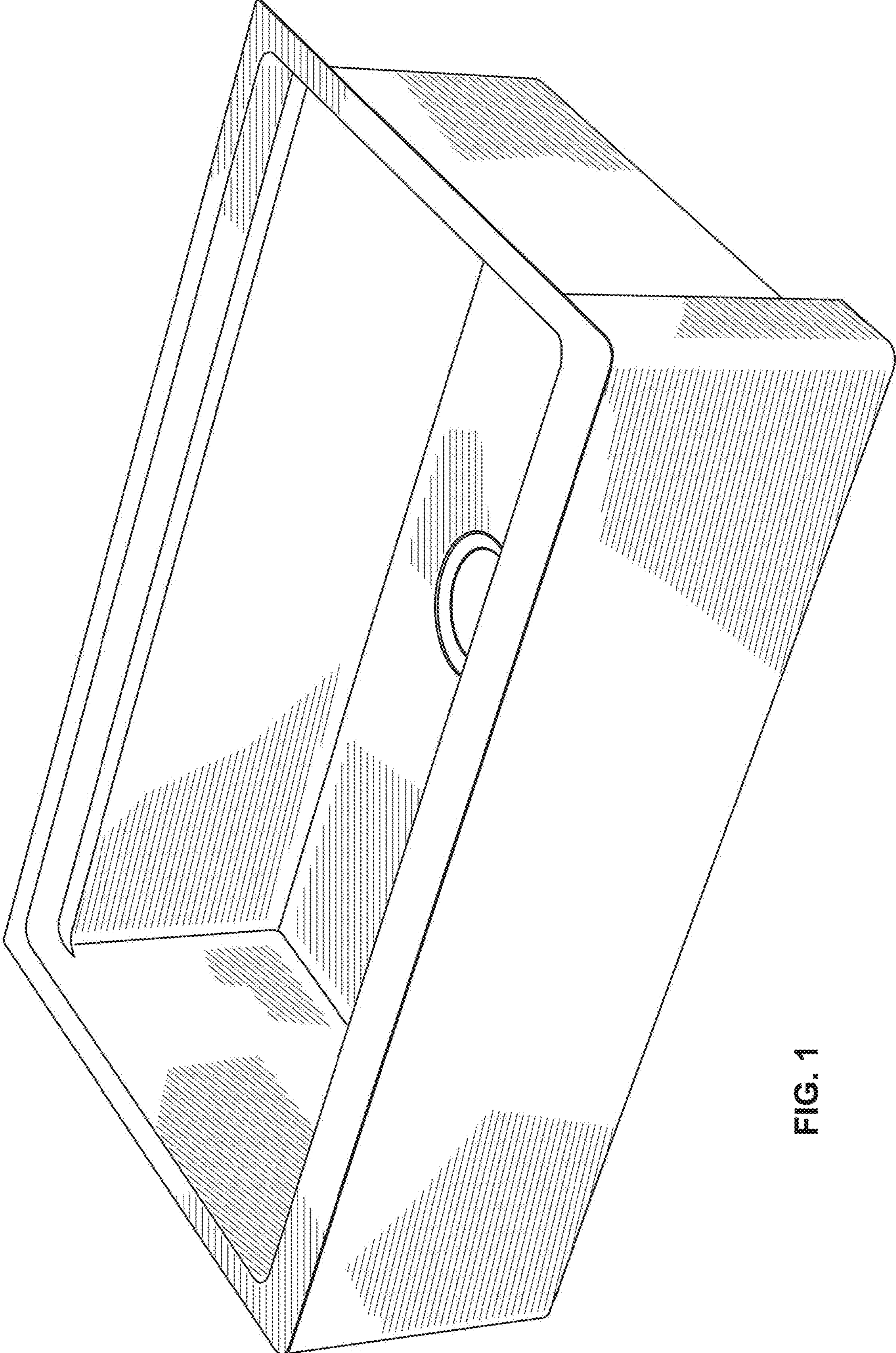


FIG. 1

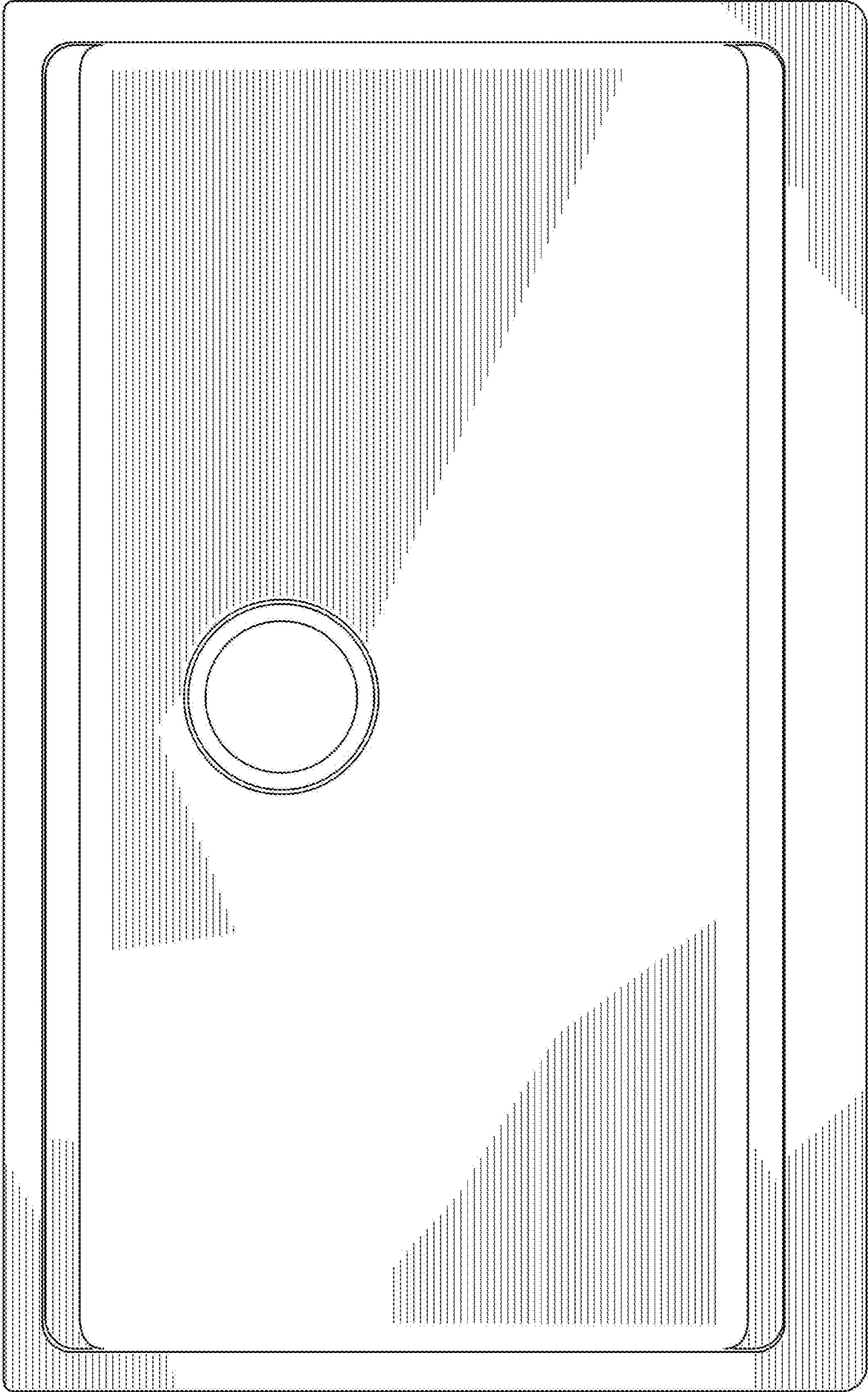


FIG. 2

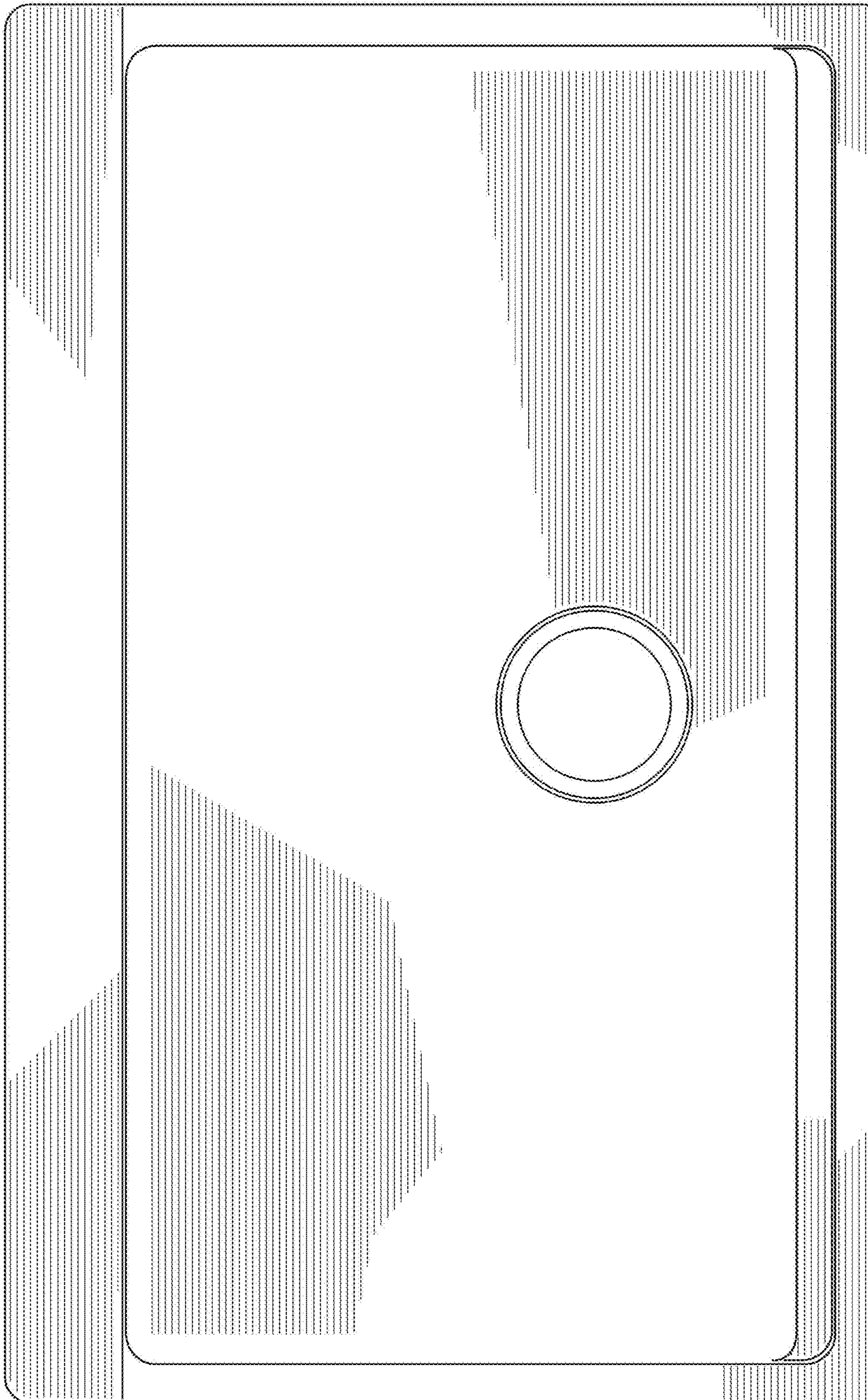


FIG. 3

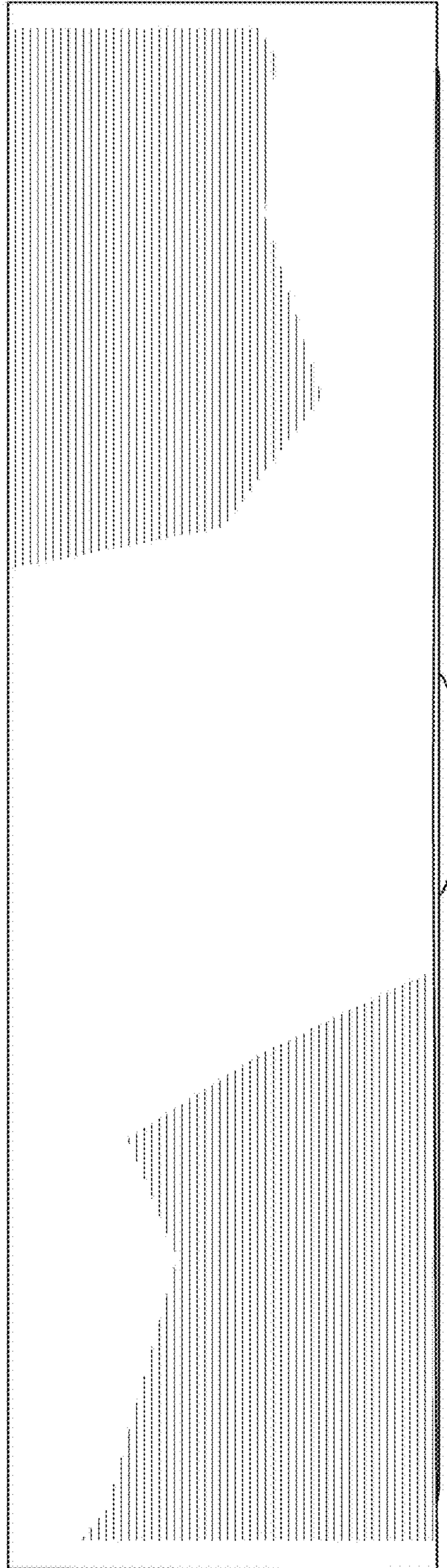


FIG. 4

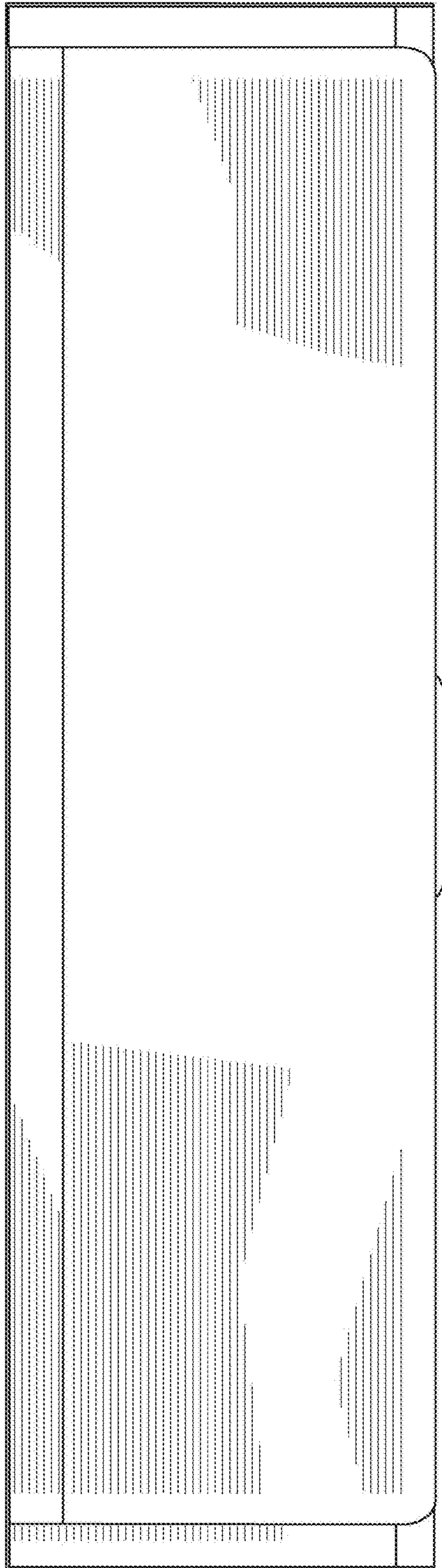


FIG. 5

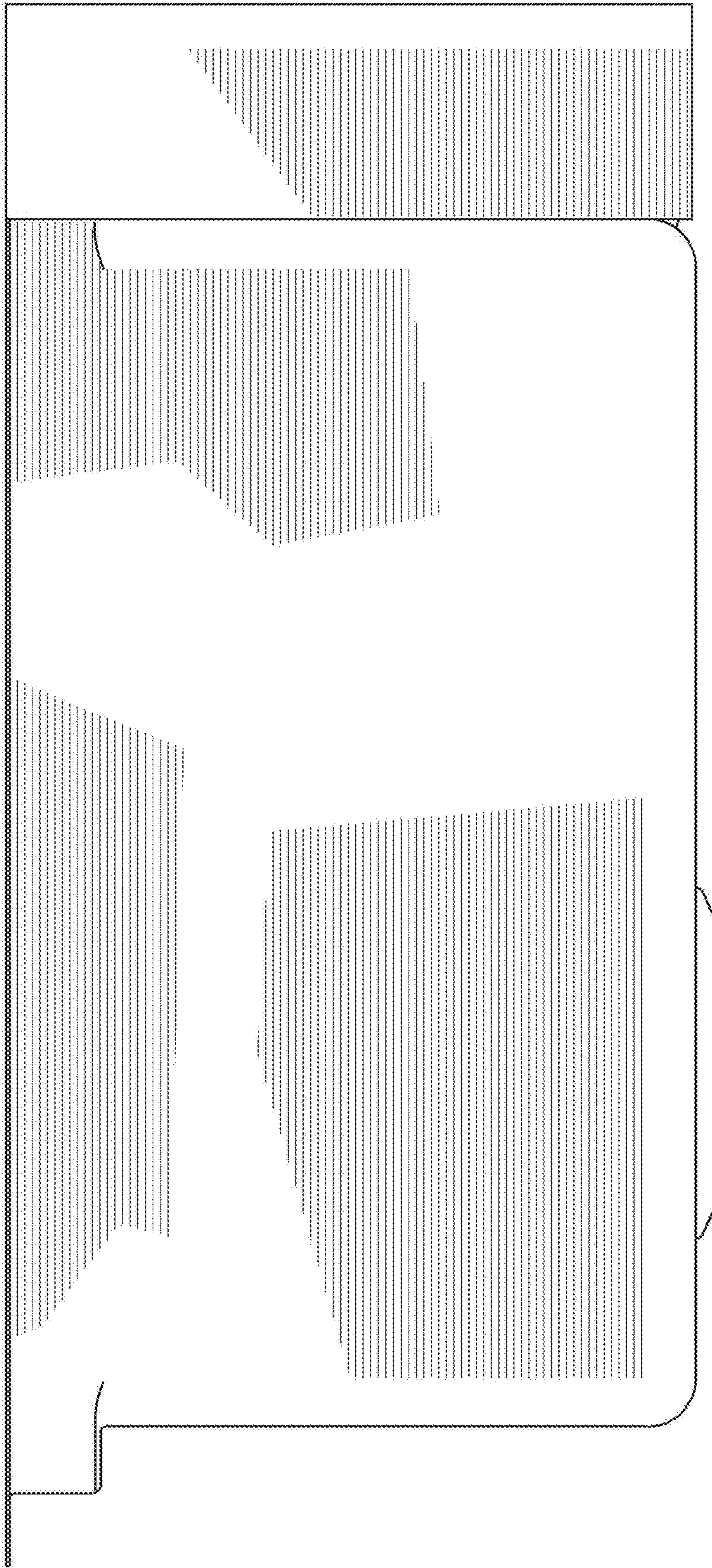


FIG. 6

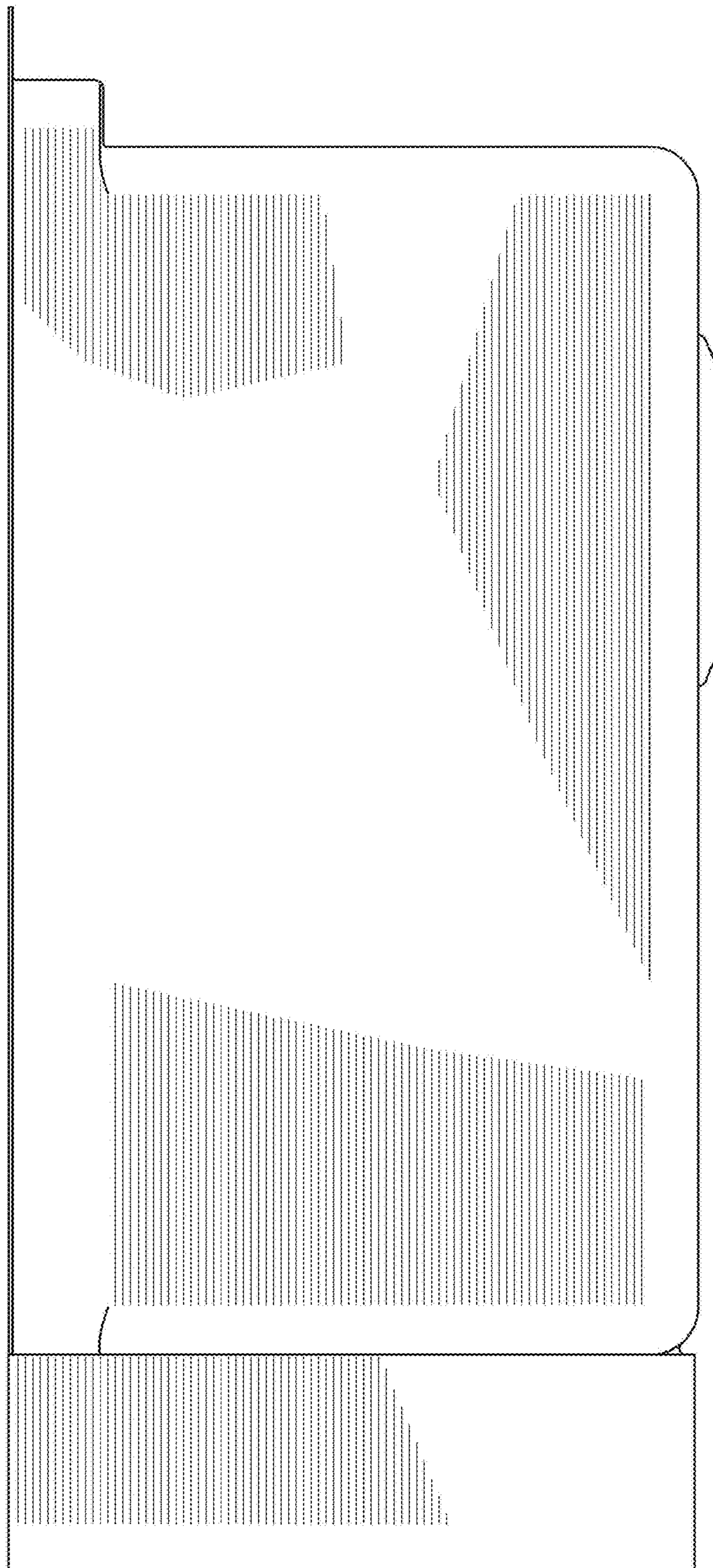


FIG. 7