



US00D869617S

(12) **United States Design Patent**
Osher

(10) **Patent No.:** **US D869,617 S**

(45) **Date of Patent:** **** Dec. 10, 2019**

(54) **APRON SINK**

D845,451 S * 4/2019 Swilley D23/308

(71) Applicant: **James T. Osher**, Marathon, FL (US)

* cited by examiner

(72) Inventor: **James T. Osher**, Marathon, FL (US)

Primary Examiner — Robert A Delehanty

(74) *Attorney, Agent, or Firm* — Chris Whewell

(**) Term: **15 Years**

(57) **CLAIM**

(21) Appl. No.: **29/651,243**

I claim the ornamental design for a apron sink, as shown and described.

(22) Filed: **Feb. 26, 2018**

DESCRIPTION

(51) **LOC (12) Cl.** **23-01**

(52) **U.S. Cl.**

USPC **D23/284**

(58) **Field of Classification Search**

USPC D23/284, 293.1, 308, 201

See application file for complete search history.

FIG. 1 is a perspective view of an apron sink;
FIG. 2 is an alternate perspective view thereof;
FIG. 3 is a frontal view thereof;
FIG. 4 is a rear view thereof;
FIG. 5 is an overhead view thereof;
FIG. 6 is a side perspective view thereof; and,
FIG. 7 is a perspective view of the apron sink in an exemplary environment.

The broken lines shown represent unclaimed subject matter and form no part of the claimed design.

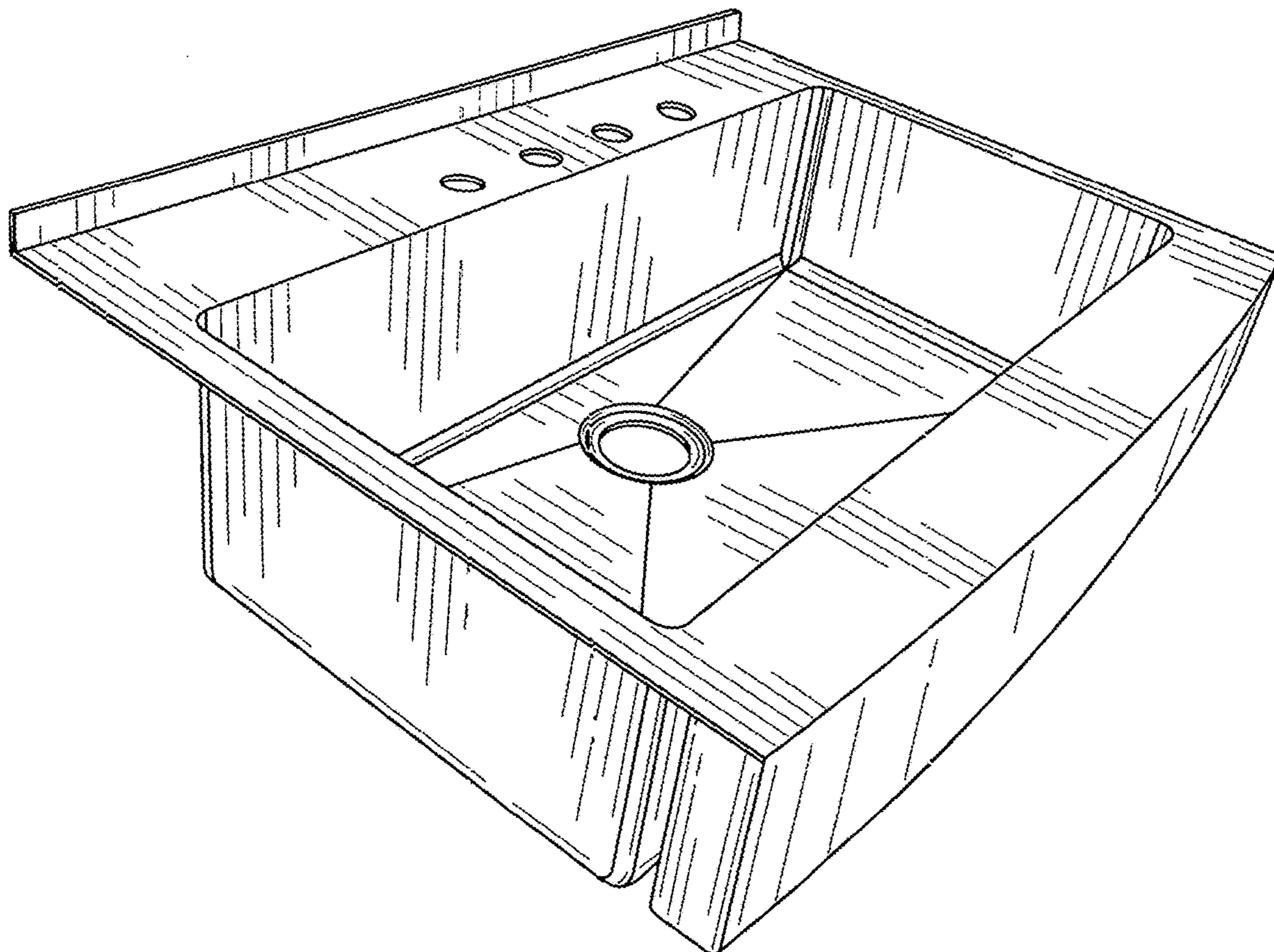
(56) **References Cited**

U.S. PATENT DOCUMENTS

D663,389 S * 7/2012 Miller D23/293.1

10,151,085 B2 * 12/2018 Chong A47K 1/04

1 Claim, 5 Drawing Sheets



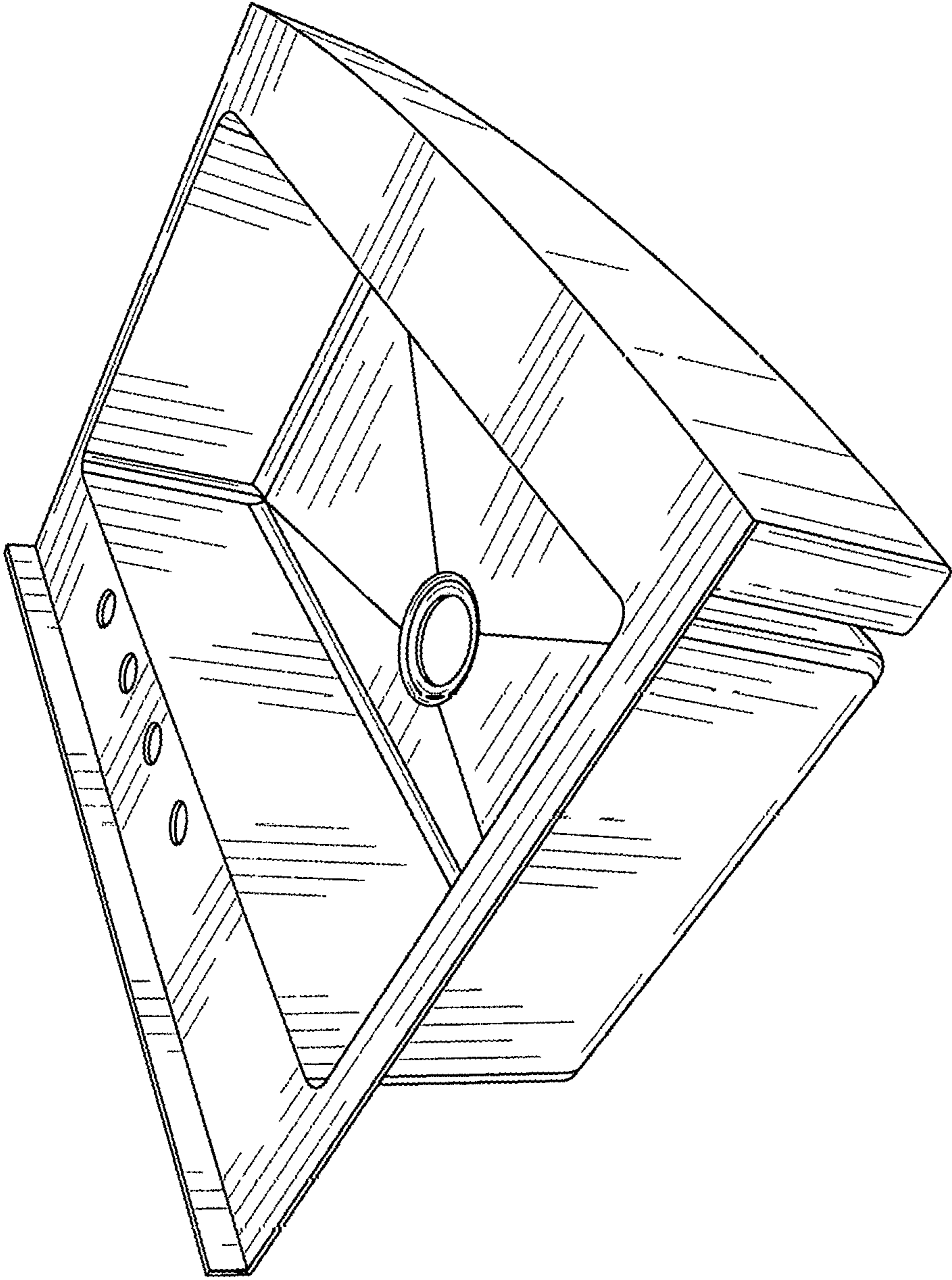


FIG. 1

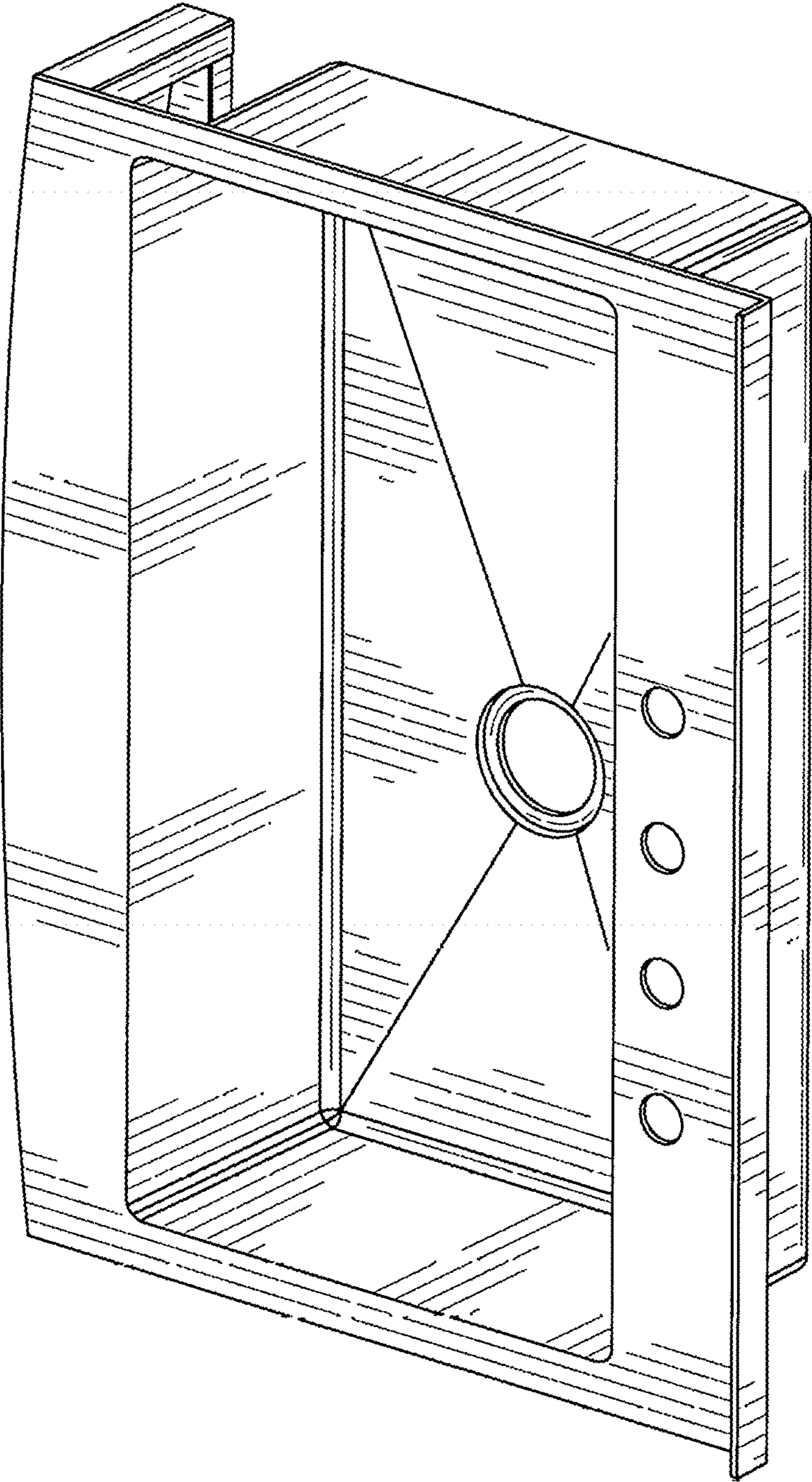


FIG. 2

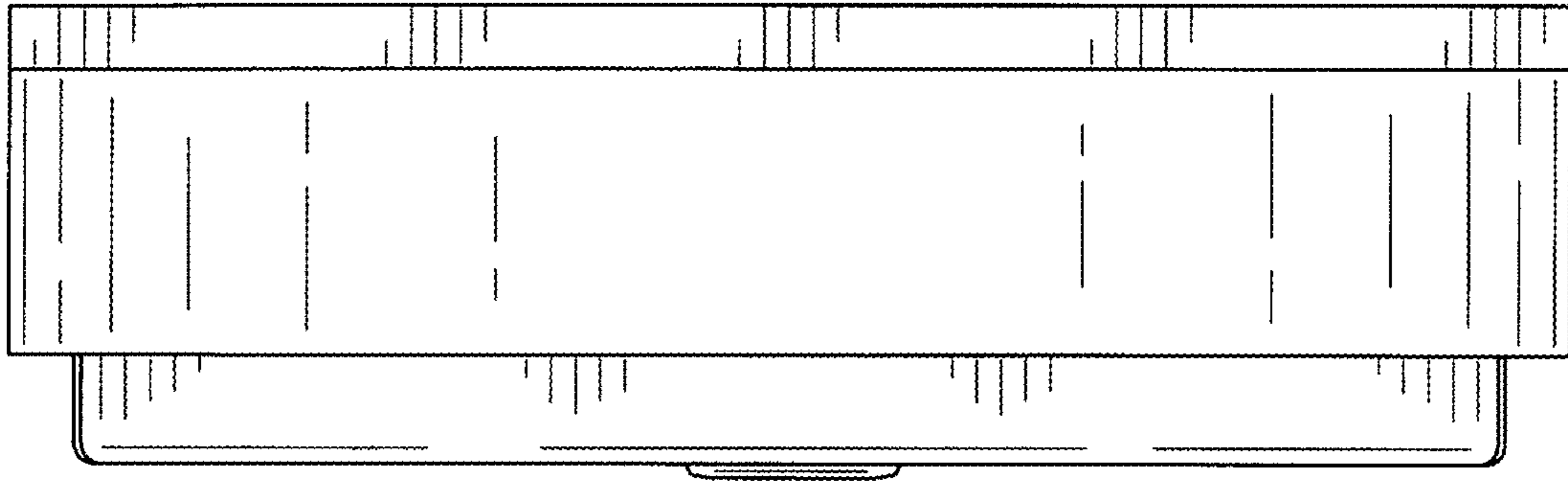


FIG. 3

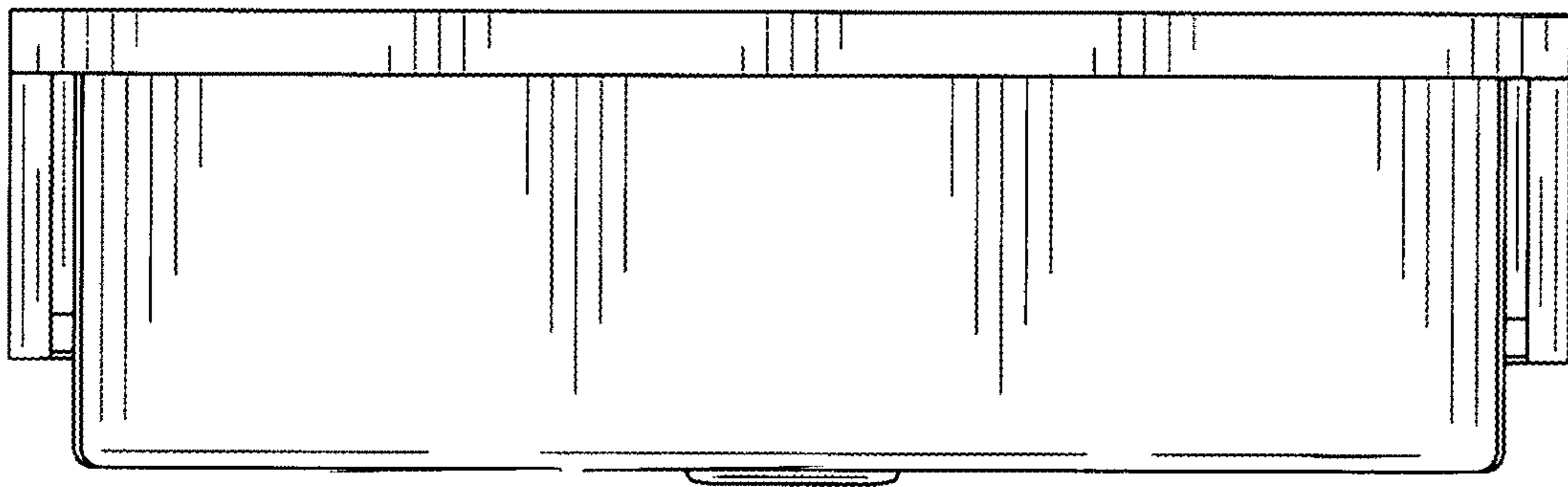


FIG. 4

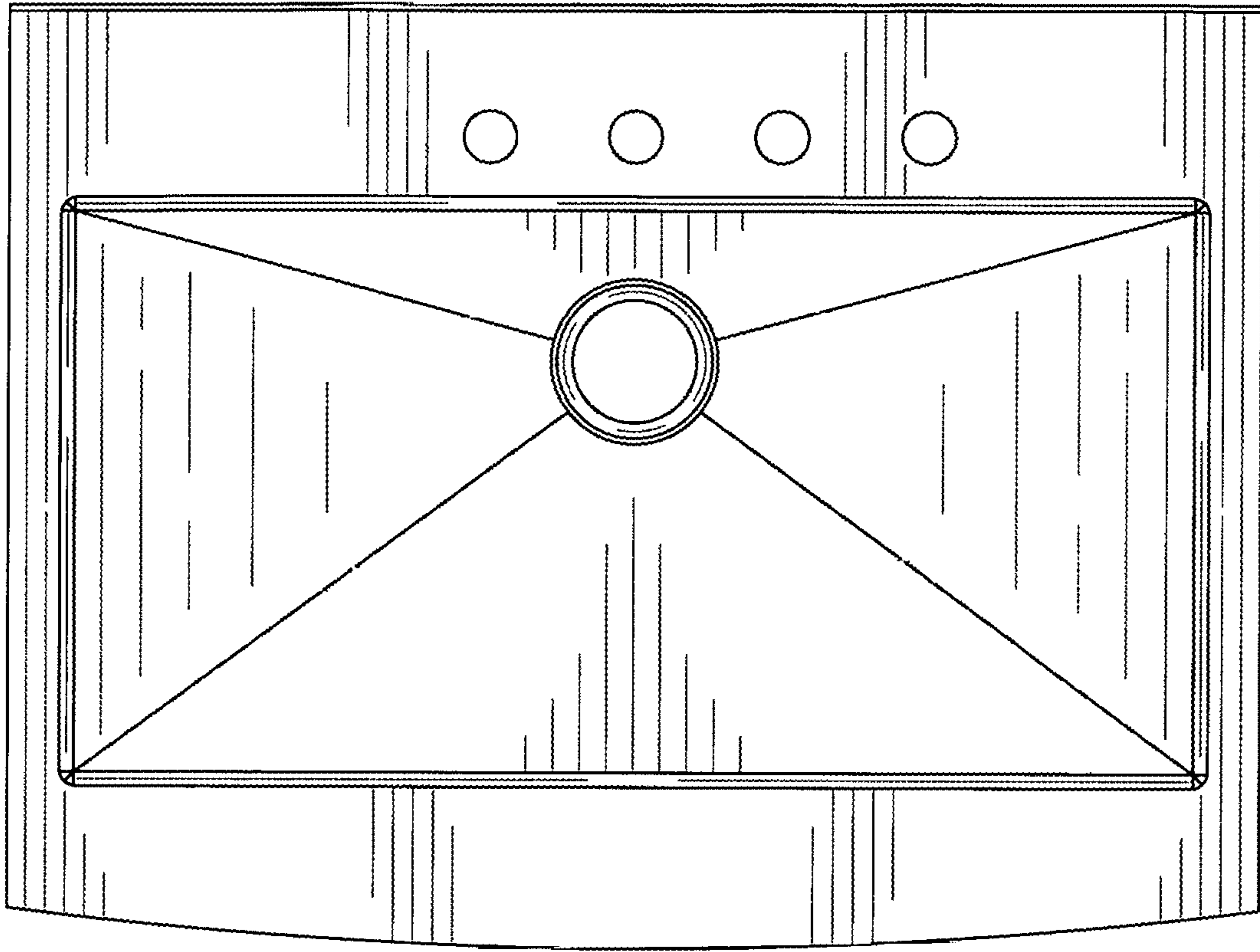


FIG. 5

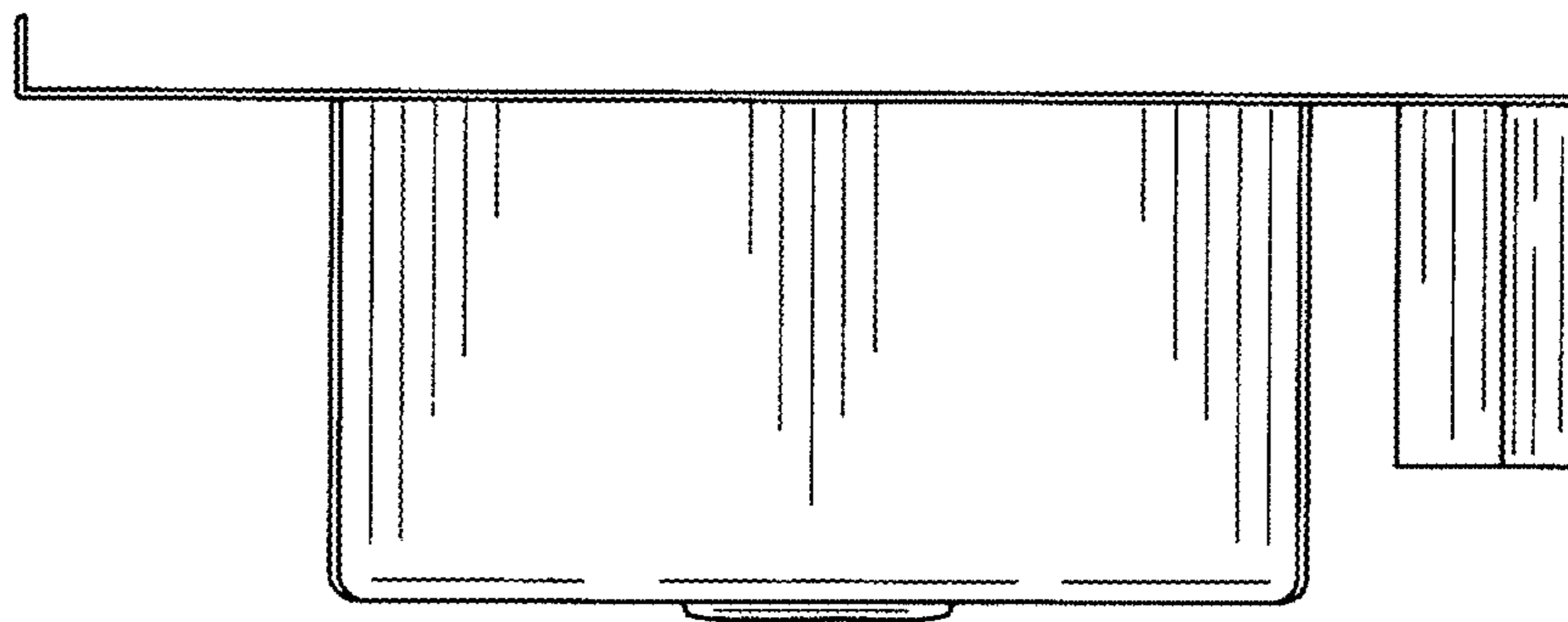


FIG. 6

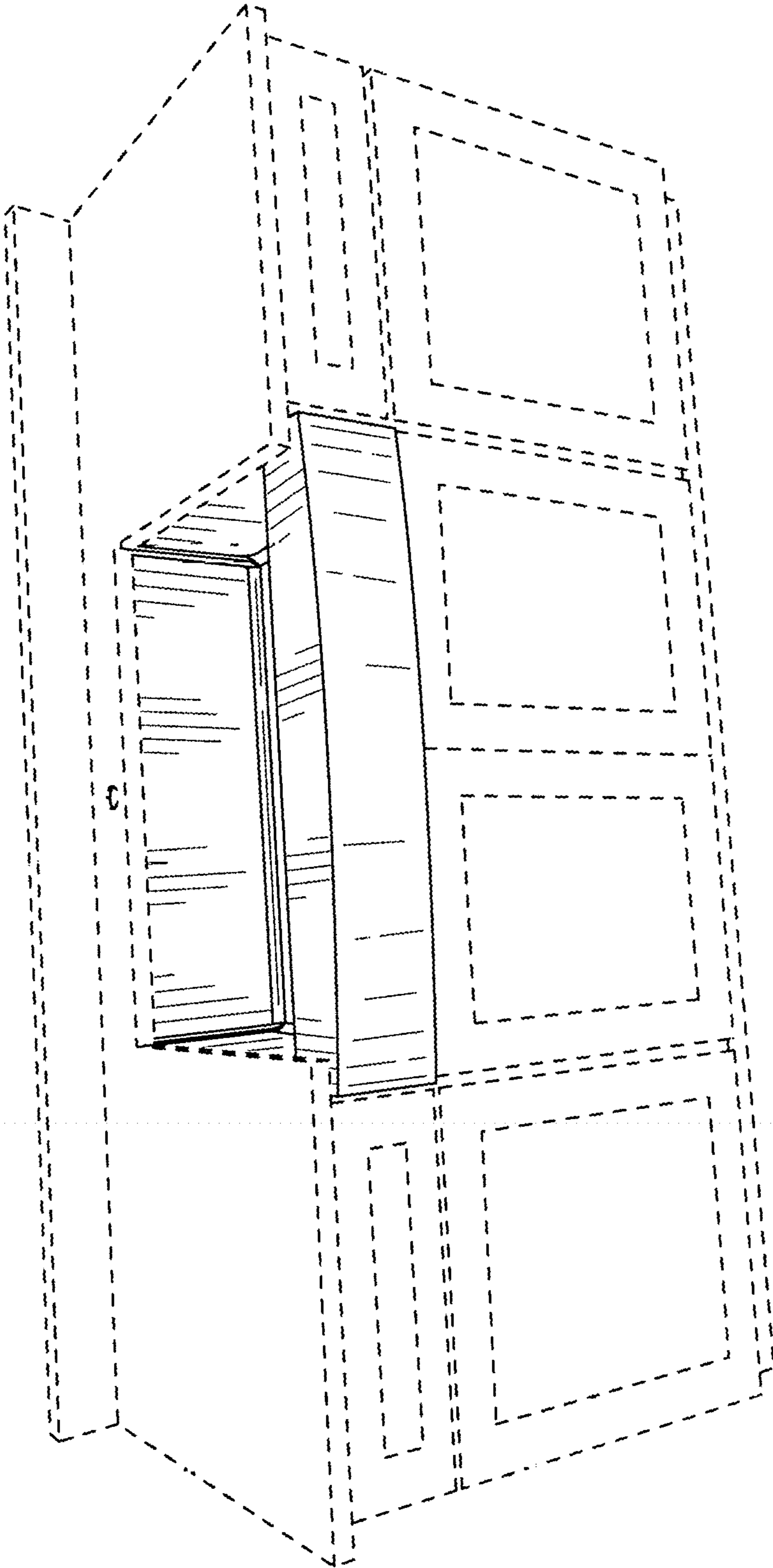


FIG. 7