



US00D869615S

(12) **United States Design Patent** (10) **Patent No.:** **US D869,615 S**
Trowbridge (45) **Date of Patent:** **** Dec. 10, 2019**

(54) **HYDRAULIC MULTI-COUPLER HAVING AN INTERFERENCE TAB**

FOREIGN PATENT DOCUMENTS

(71) Applicant: **CNH Industrial America LLC**, New Holland, PA (US)

EP 1914094 A1 12/2009
EP 2472162 7/2012

(Continued)

(72) Inventor: **Jeffrey C. Trowbridge**, Stevens, PA (US)

Primary Examiner — Sheryl Lane
Assistant Examiner — Ieisha N Price

(73) Assignee: **CNH Industrial America LLC**, New Holland, PA (US)

(74) *Attorney, Agent, or Firm* — Peter K. Zacharias; Patrick M. Shel Drake

(**) Term: **15 Years**

(57) **CLAIM**

The ornamental design for a hydraulic multi-coupler having an interference tab, as shown and described.

(21) Appl. No.: **29/636,673**

DESCRIPTION

(22) Filed: **Feb. 9, 2018**

(51) **LOC (12) Cl.** **23-01**

(52) **U.S. Cl.**
USPC **D23/262; D8/382**

(58) **Field of Classification Search**
USPC D23/249, 259, 260, 262, 266; D8/382
CPC F16L 37/00; F16L 37/02; F16L 37/025;
F16L 37/06; F16L 37/26; F16L 37/56;
F16L 37/60; F16L 37/62; F16L 39/00;
F16L 39/02; A01D 41/16
See application file for complete search history.

FIG. 1 is a first perspective environmental view of a hydraulic multi-coupler having an interference tab of the present design.

FIG. 2 is a second perspective environmental view of the hydraulic multi-coupler having an interference tab of FIG. 1. FIG. 3 is a front view of the hydraulic multi-coupler having an interference tab of FIG. 1.

FIG. 4 is a rear view of the hydraulic multi-coupler having an interference tab of FIG. 1.

FIG. 5 is a left side view of the hydraulic multi-coupler having an interference tab of FIG. 1.

FIG. 6 is a right side view of the hydraulic multi-coupler having an interference tab of FIG. 1.

FIG. 7 is a top side view of the hydraulic multi-coupler having an interference tab of FIG. 1; and,

FIG. 8 is a bottom side view of the hydraulic multi-coupler having an interference tab of FIG. 1.

The broken line showing of the article support and handle in FIGS. 1 and 2 illustrates the environment of the claimed design and forms no part thereof. The remaining broken lines in the drawings illustrate portions of the hydraulic multi-coupler having an interference tab and form no part of the claimed design.

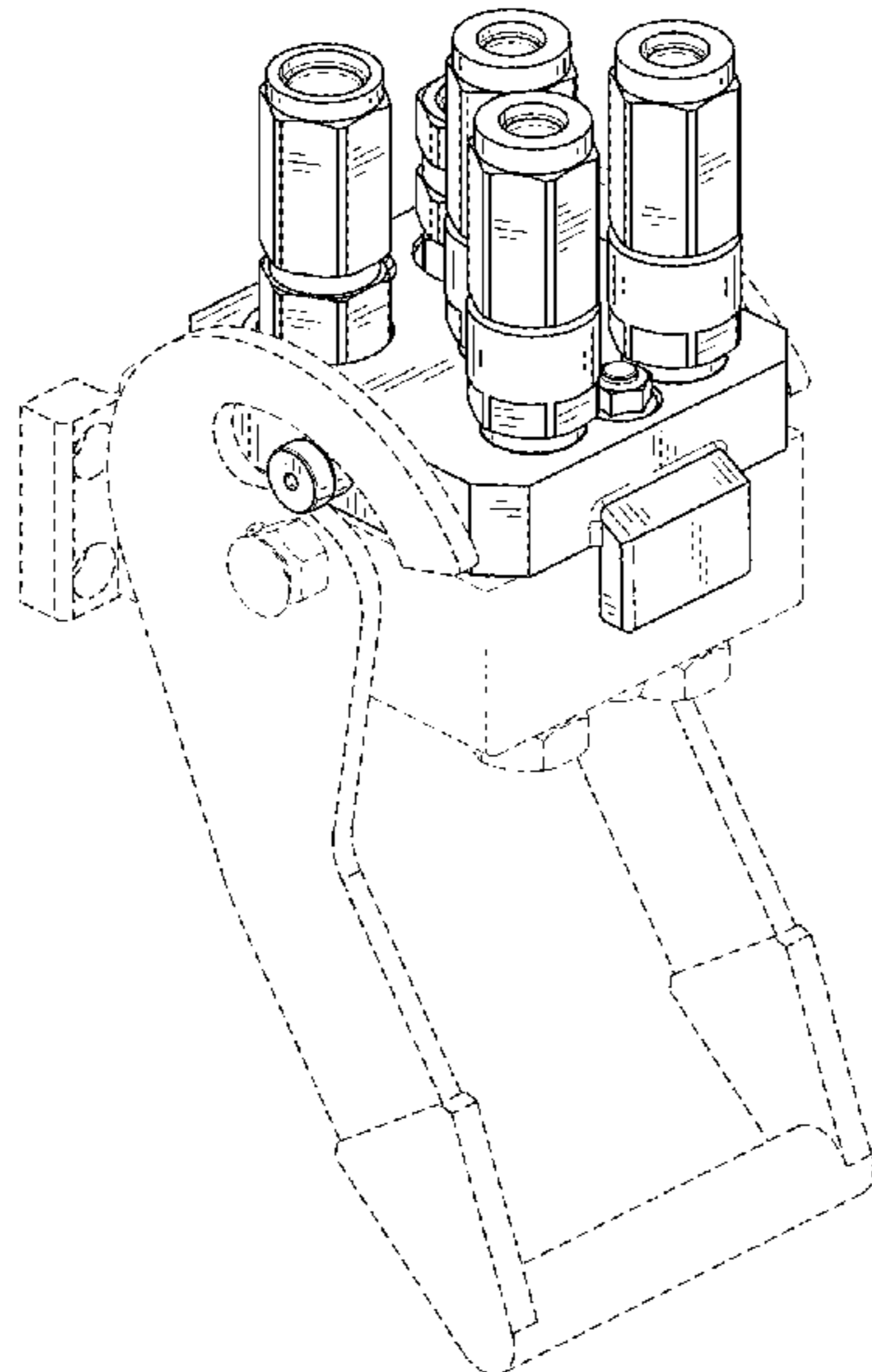
(56) **References Cited**

U.S. PATENT DOCUMENTS

2,538,259 A * 1/1951 Merriman F16L 37/096
137/351
3,469,863 A * 9/1969 Riester F16L 37/56
277/322
4,494,775 A 1/1985 Nash et al.
4,615,546 A * 10/1986 Nash F16L 37/23
285/26
4,900,065 A * 2/1990 Houck F16L 37/098
285/124.4

(Continued)

1 Claim, 8 Drawing Sheets



(56)

References Cited

U.S. PATENT DOCUMENTS

5,316,347 A * 5/1994 Arosio E02F 3/3654
285/124.4
5,388,608 A * 2/1995 Hara B60T 8/36
137/343
5,507,530 A * 4/1996 Mahaney E02F 3/3654
285/124.1
5,816,621 A * 10/1998 Frost F16L 37/56
285/1
5,829,337 A * 11/1998 Barden E02F 3/3654
91/432
5,832,705 A 11/1998 Eis et al.
D419,860 S * 2/2000 Persson D8/382
6,832,788 B2 12/2004 Fukano et al.
7,258,369 B2 8/2007 Martin
8,047,760 B2 * 11/2011 Roan E02F 3/34
414/686
8,424,920 B2 4/2013 Gilbreath et al.
D681,784 S * 5/2013 Liljegren D23/262
D766,708 S * 9/2016 Summers F16B 5/00
D8/382
10,240,703 B2 * 3/2019 Langenfeld E02F 3/3654
2002/0096879 A1 * 7/2002 Liao F16L 37/56
285/124.1
2005/0184510 A1 * 8/2005 Langenfeld E02F 3/3654
285/124.1
2005/0285390 A1 * 12/2005 Martin F16L 37/56
285/124.5
2006/0130910 A1 * 6/2006 Knuthson F16L 37/20
137/614.02
2008/0036199 A1 * 2/2008 Asam E02F 9/2275
285/33

2008/0271425 A1 11/2008 Ricketts et al.
2009/0179967 A1 * 7/2009 Berry B41J 2/175
347/85
2009/0232585 A1 * 9/2009 Gilbreath F16L 37/088
403/14
2010/0066076 A1 * 3/2010 Lundgren E02F 3/3654
285/26
2011/0012341 A1 * 1/2011 Suhr F16L 37/56
285/124.3
2011/0100364 A1 * 5/2011 Faram A61M 16/0096
128/204.18
2011/0198840 A1 8/2011 Sorbi et al.
2012/0205907 A1 * 8/2012 Westendorf F16L 37/56
285/120.1
2012/0319397 A1 * 12/2012 Mahrenholz F16L 39/00
285/308
2014/0112699 A1 * 4/2014 Lewkoski F16B 17/00
403/33
2015/0061282 A1 * 3/2015 Faldt A61M 39/18
285/124.5
2016/0109044 A1 * 4/2016 Danelli F16K 17/02
137/594
2016/0114640 A1 4/2016 Huegerich
2019/0093808 A1 * 3/2019 Danelli F16L 37/18
2019/0133021 A1 * 5/2019 Schwalbe A01B 59/00
2019/0154065 A1 * 5/2019 Tiberghien F16B 1/02
2019/0178430 A1 * 6/2019 Wolf F16B 2/185
2019/0193559 A1 * 6/2019 Trowbridge B60K 17/14

FOREIGN PATENT DOCUMENTS

EP 2740985 A1 6/2014
EP 2399441 A1 4/2016

* cited by examiner

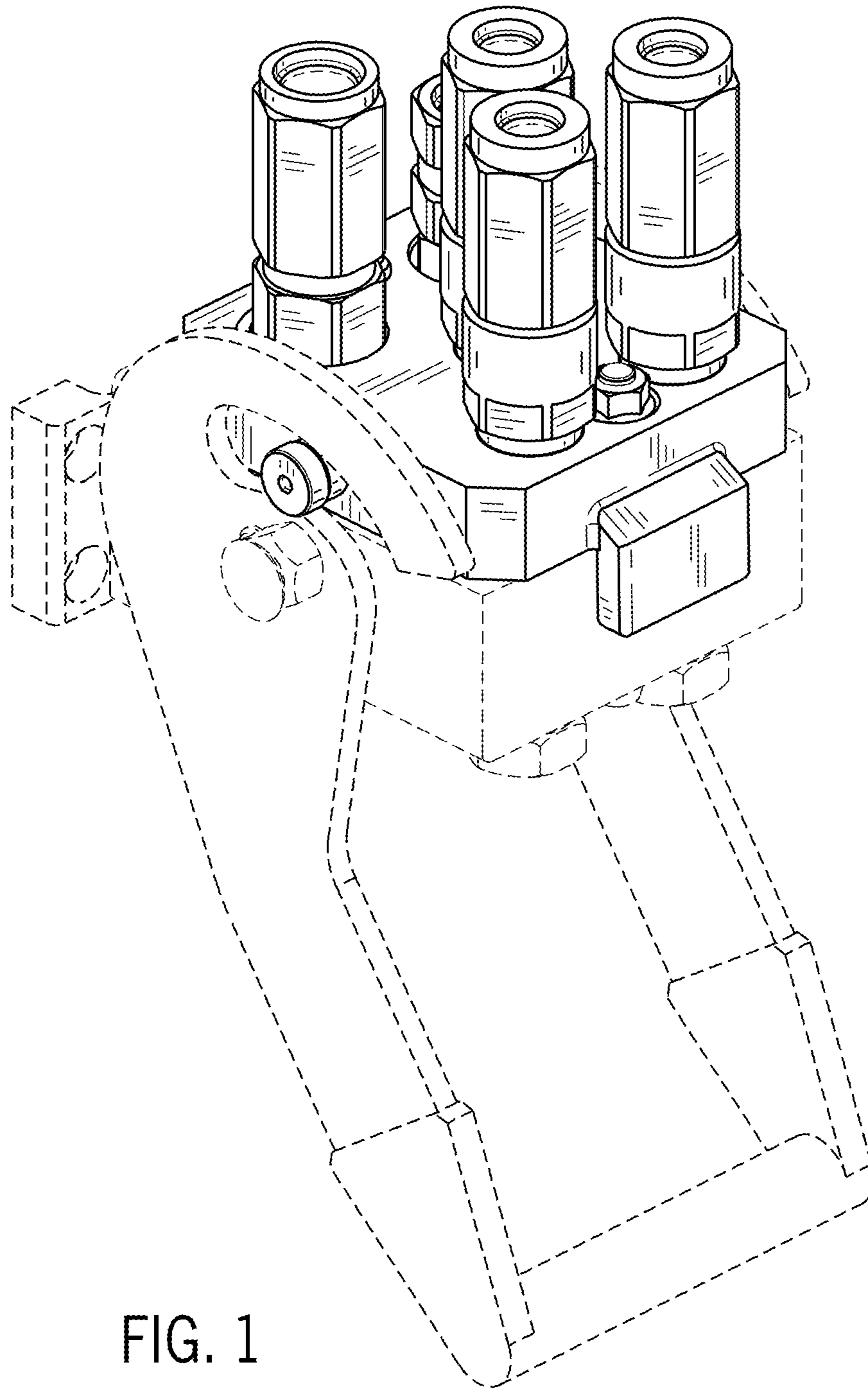


FIG. 1

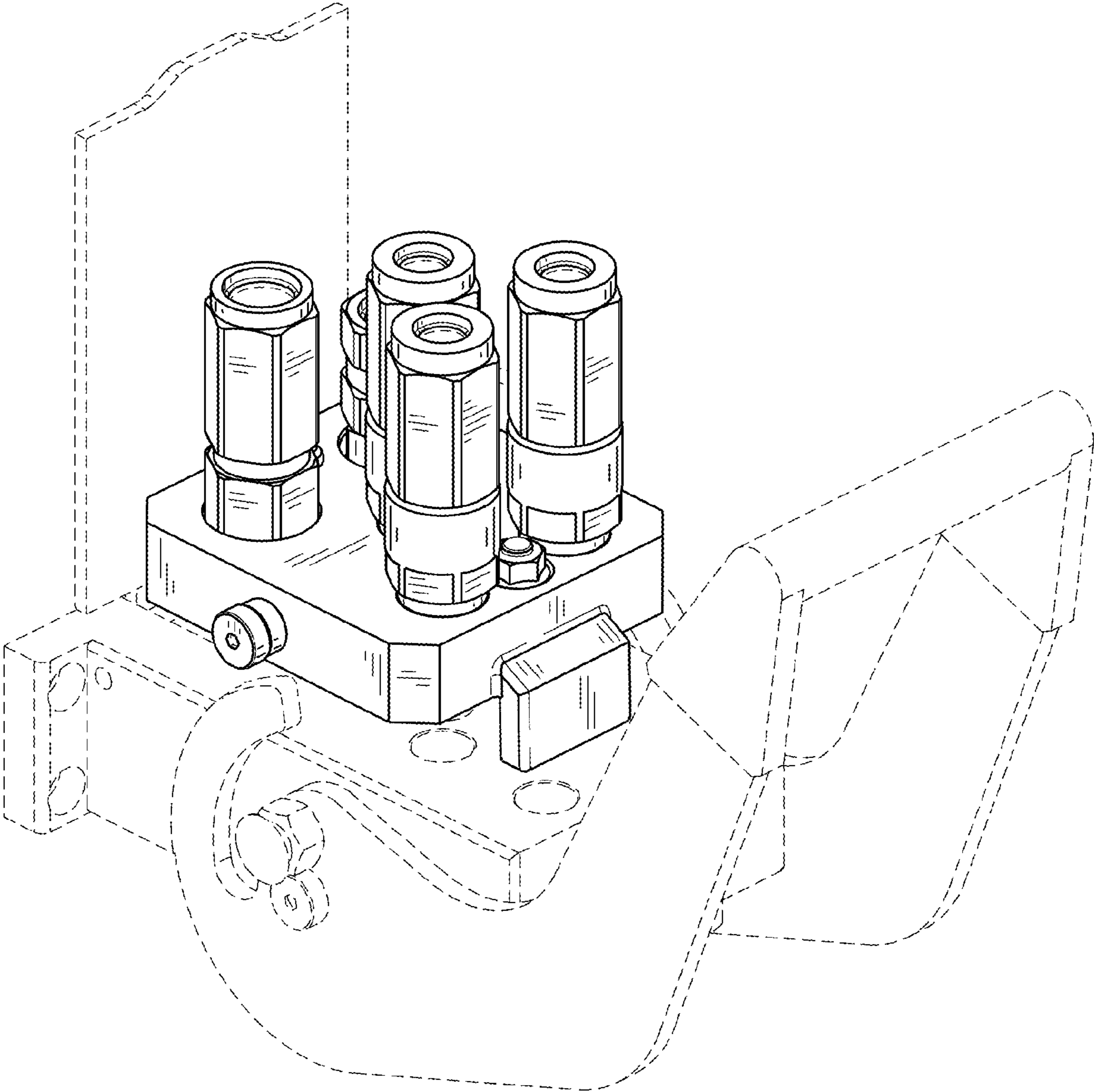


FIG. 2

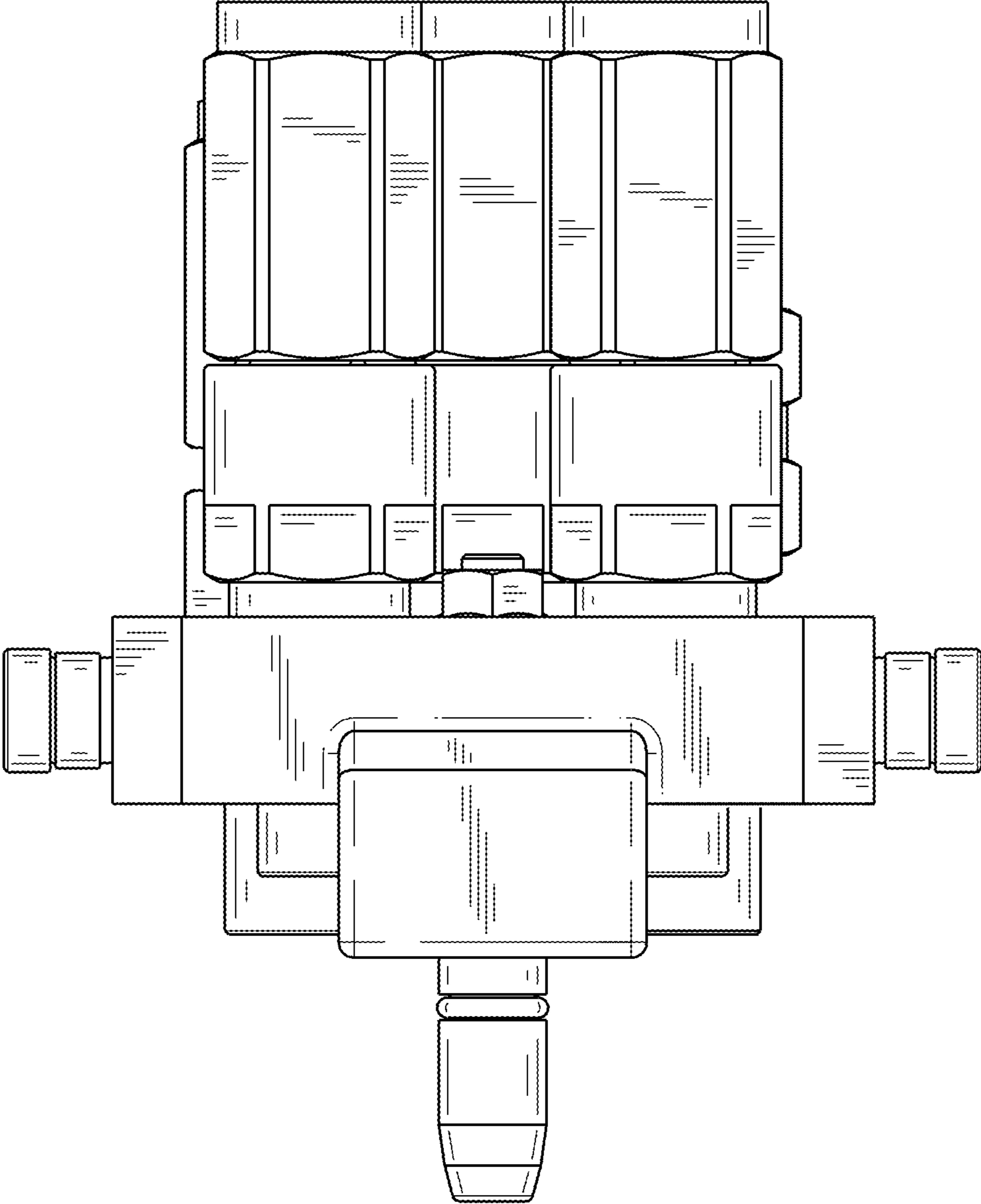


FIG. 3

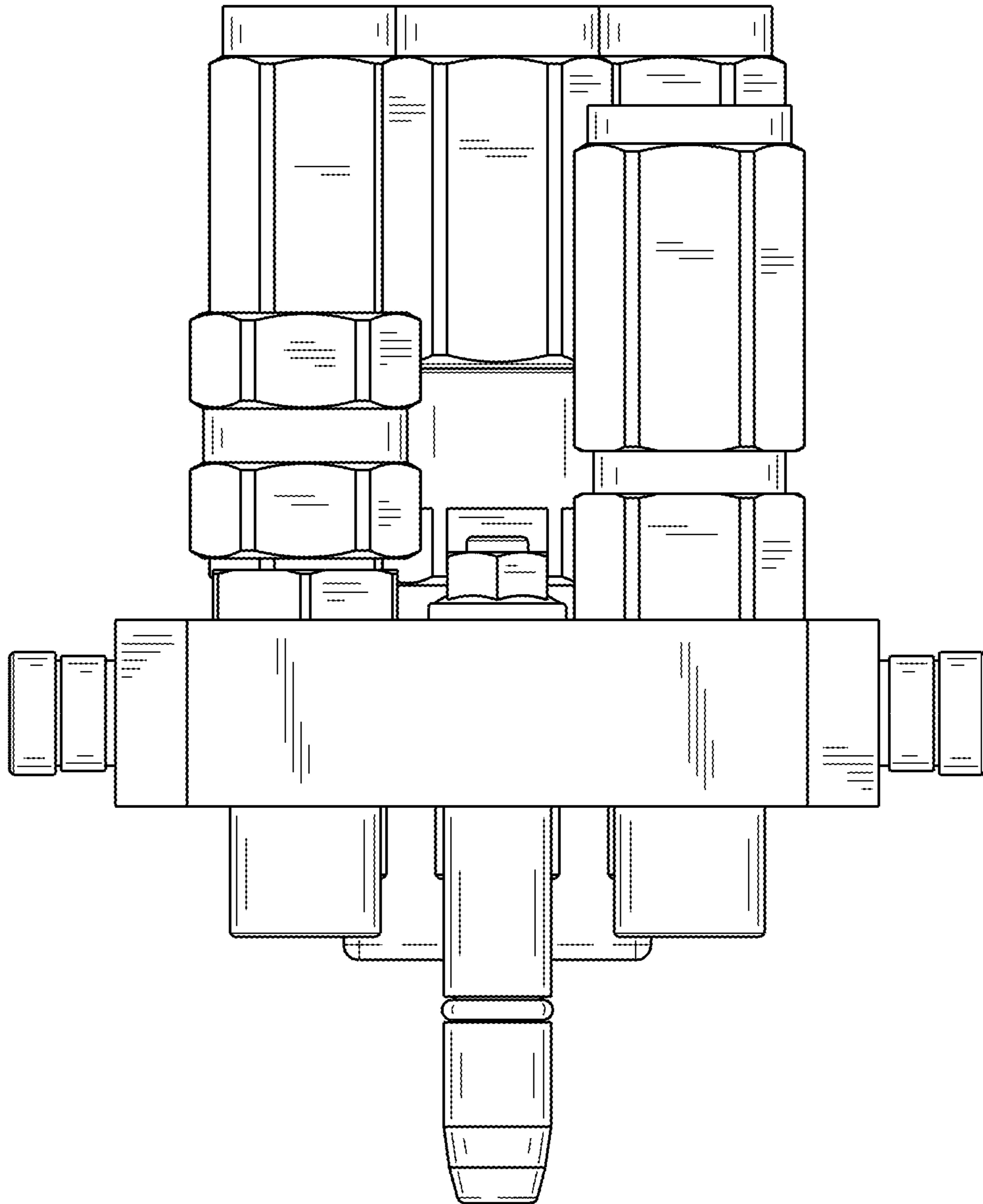


FIG. 4

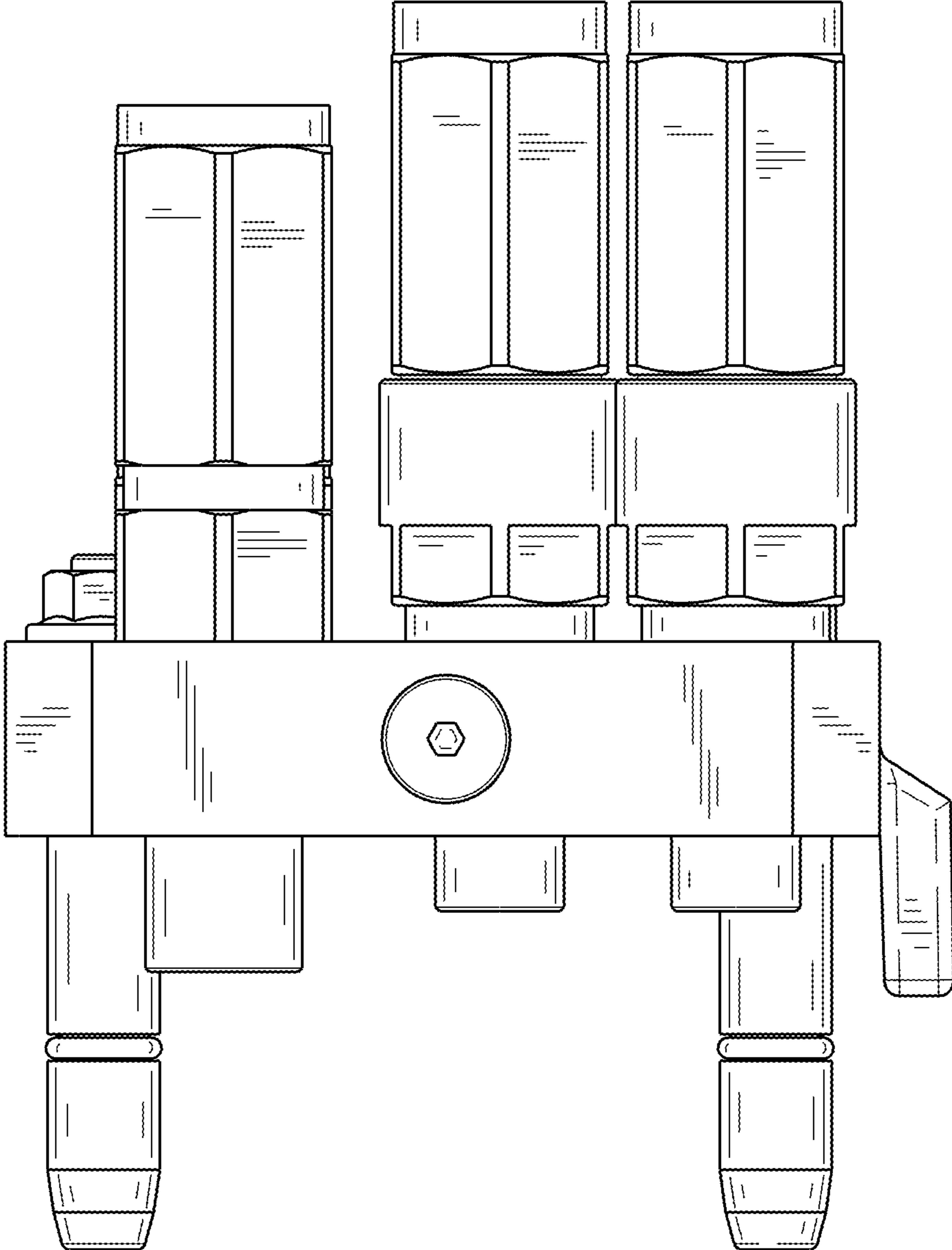


FIG. 5

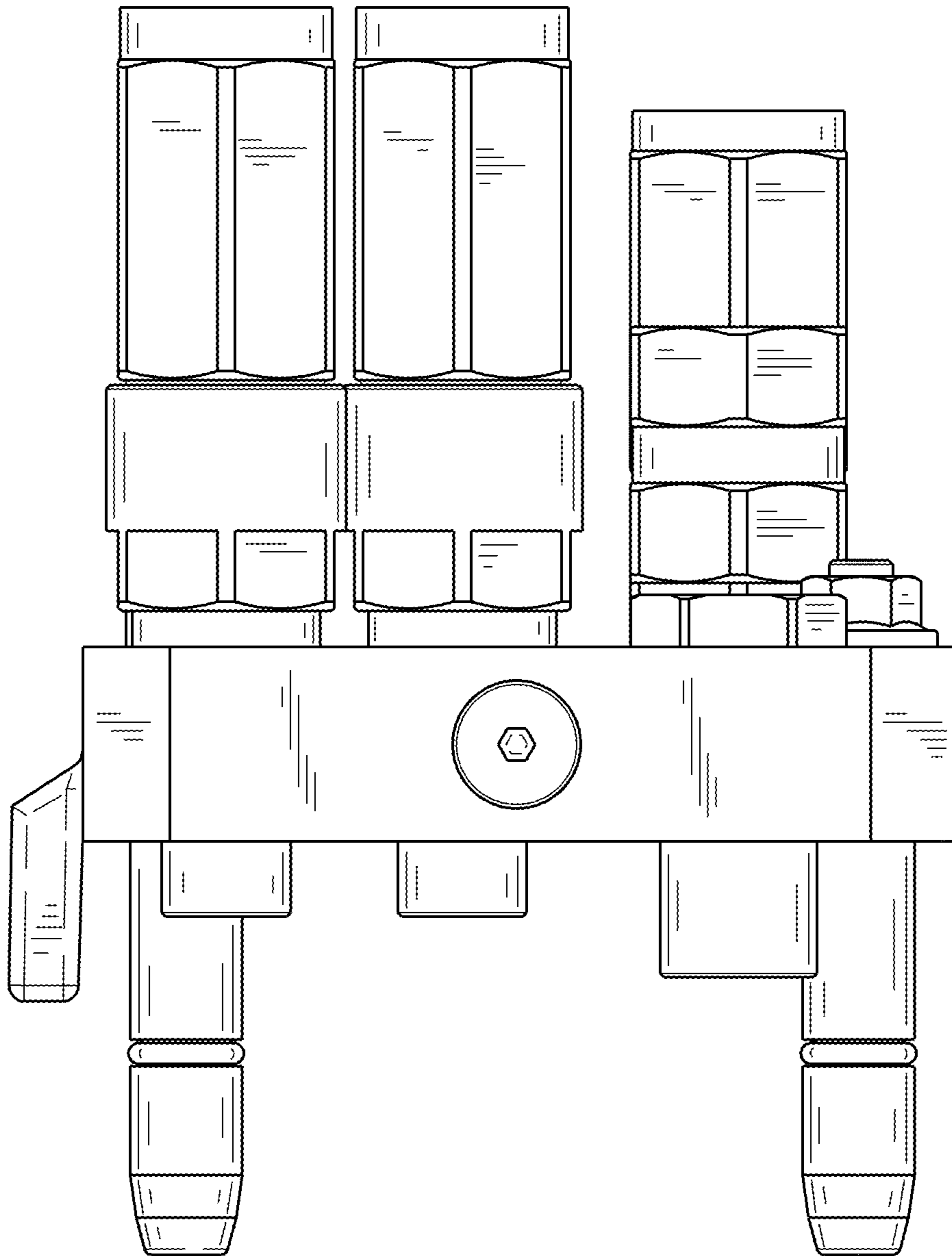


FIG. 6

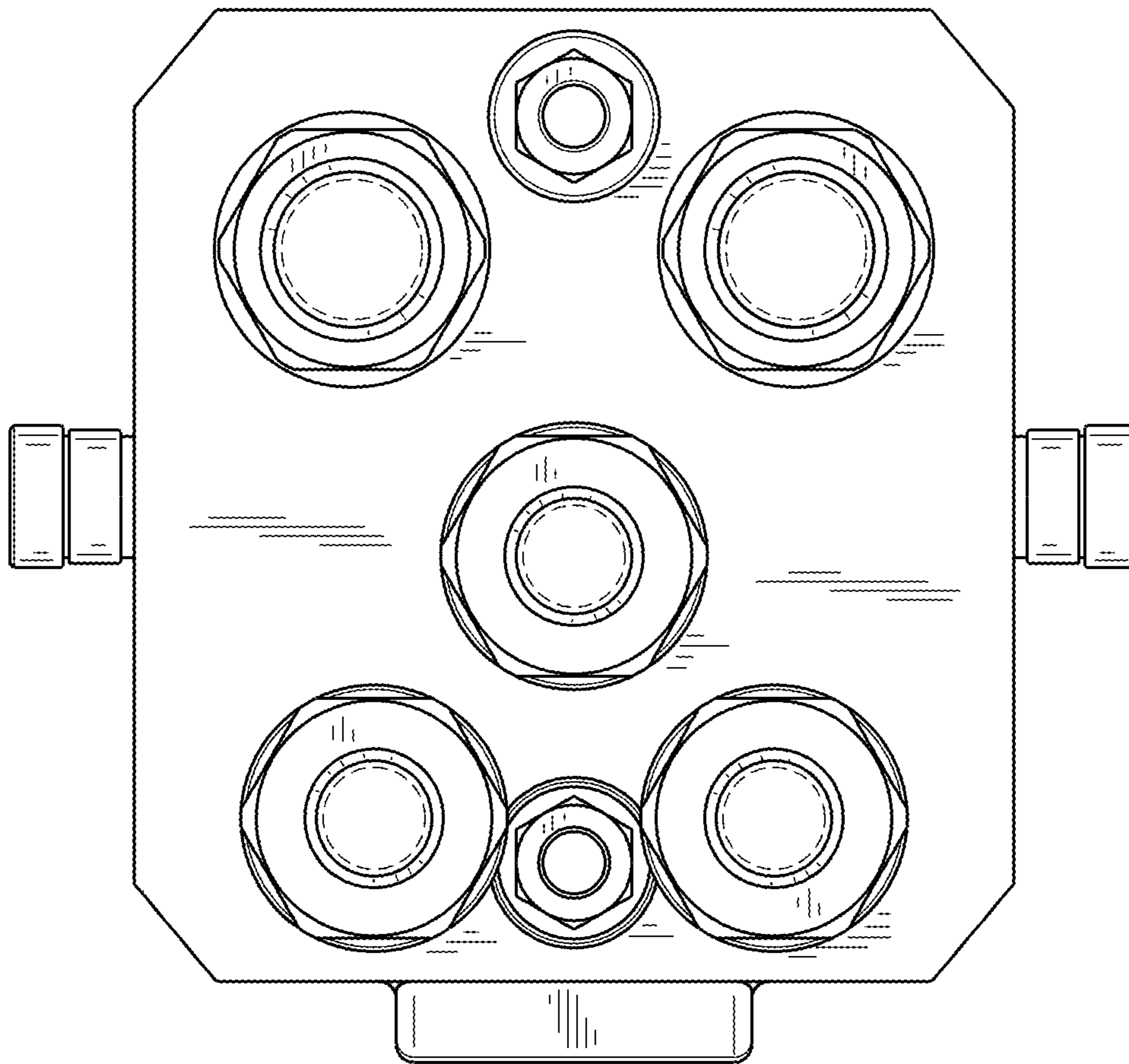


FIG. 7

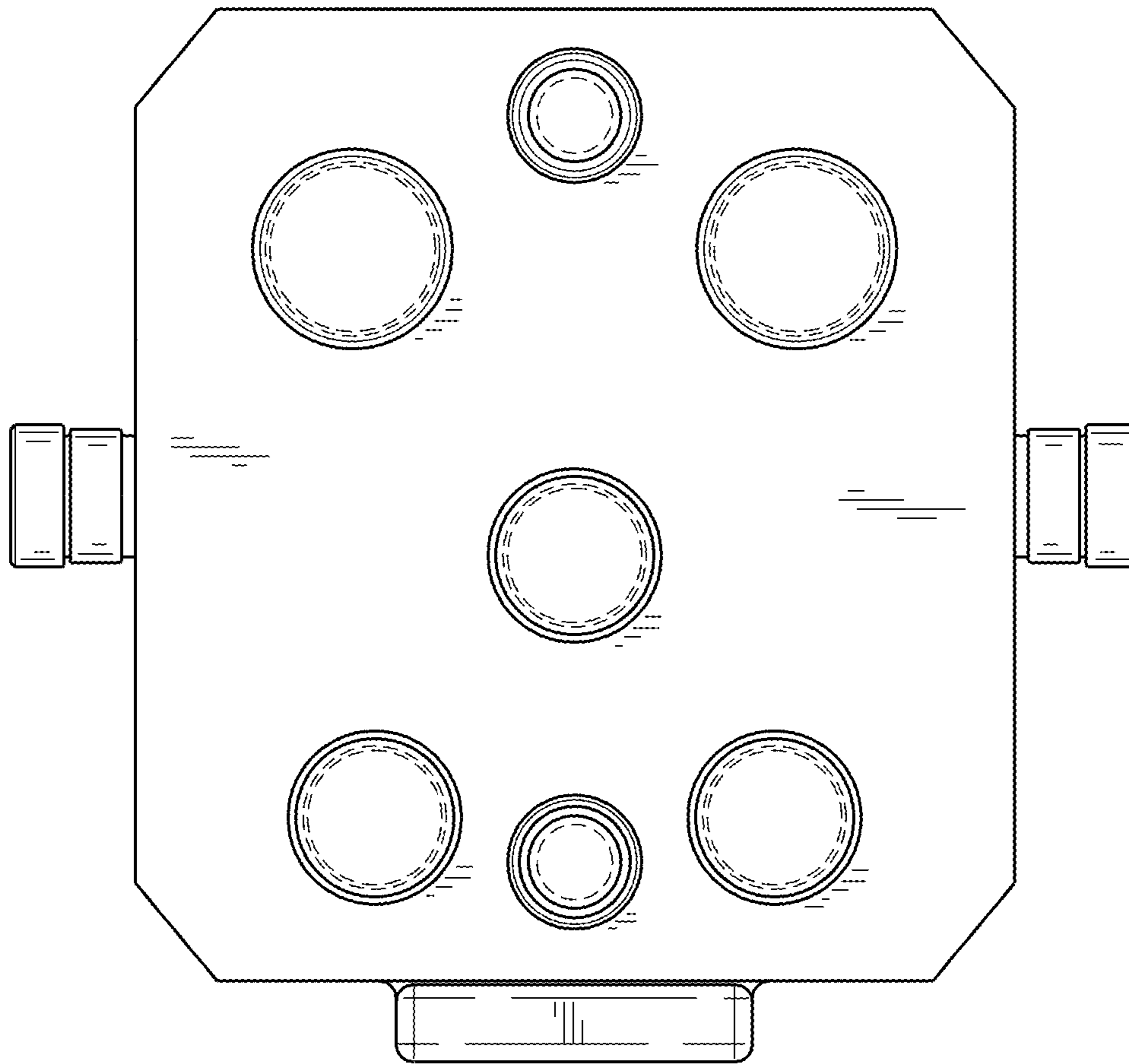


FIG. 8