



US00D869614S

(12) **United States Design Patent**
Garland

(10) **Patent No.:** **US D869,614 S**

(45) **Date of Patent:** **** Dec. 10, 2019**

(54) **FAUCET**

(71) Applicant: **DELTA FAUCET COMPANY,**
Indianapolis, IN (US)

(72) Inventor: **Celine Kwok Garland,** Zionsville, IN
(US)

(73) Assignee: **DELTA FAUCET COMPANY,**
Indianapolis, IN (US)

(**) Term: **15 Years**

(21) Appl. No.: **29/667,444**

(22) Filed: **Oct. 22, 2018**

(51) **LOC (12) Cl.** **23-01**

(52) **U.S. Cl.**
USPC **D23/242**

(58) **Field of Classification Search**
USPC D23/238-243, 249, 255, 257, 250, 254,
D23/252, 245; D8/300, 307-308
CPC F16K 31/60; F16K 31/602; F16K 31/605;
F16K 31/607
See application file for complete search history.

(56) **References Cited**

U.S. PATENT DOCUMENTS

691,569 A * 1/1902 Pohlman F16K 31/602
251/246
D87,830 S * 9/1932 Ferguson D23/252

D566,817 S * 4/2008 Isaacs D23/255
D570,455 S * 6/2008 Dolan D23/250
D581,020 S * 11/2008 Dolan D23/250
D596,715 S * 7/2009 Haug D23/254
D683,825 S * 6/2013 Sofield D23/255
D797,895 S * 9/2017 Schaubach D23/252
D803,358 S * 11/2017 Schoenherr D23/242

* cited by examiner

Primary Examiner — Robert A Delehanty

(74) *Attorney, Agent, or Firm* — Edgar A. Zarins; Nirav
D. Parikh

(57) **CLAIM**

The ornamental design for a faucet, as shown and described.

DESCRIPTION

FIG. 1 is a perspective view of a faucet showing my new design;

FIG. 2 is a top plan view thereof;

FIG. 3 is a front elevational view thereof;

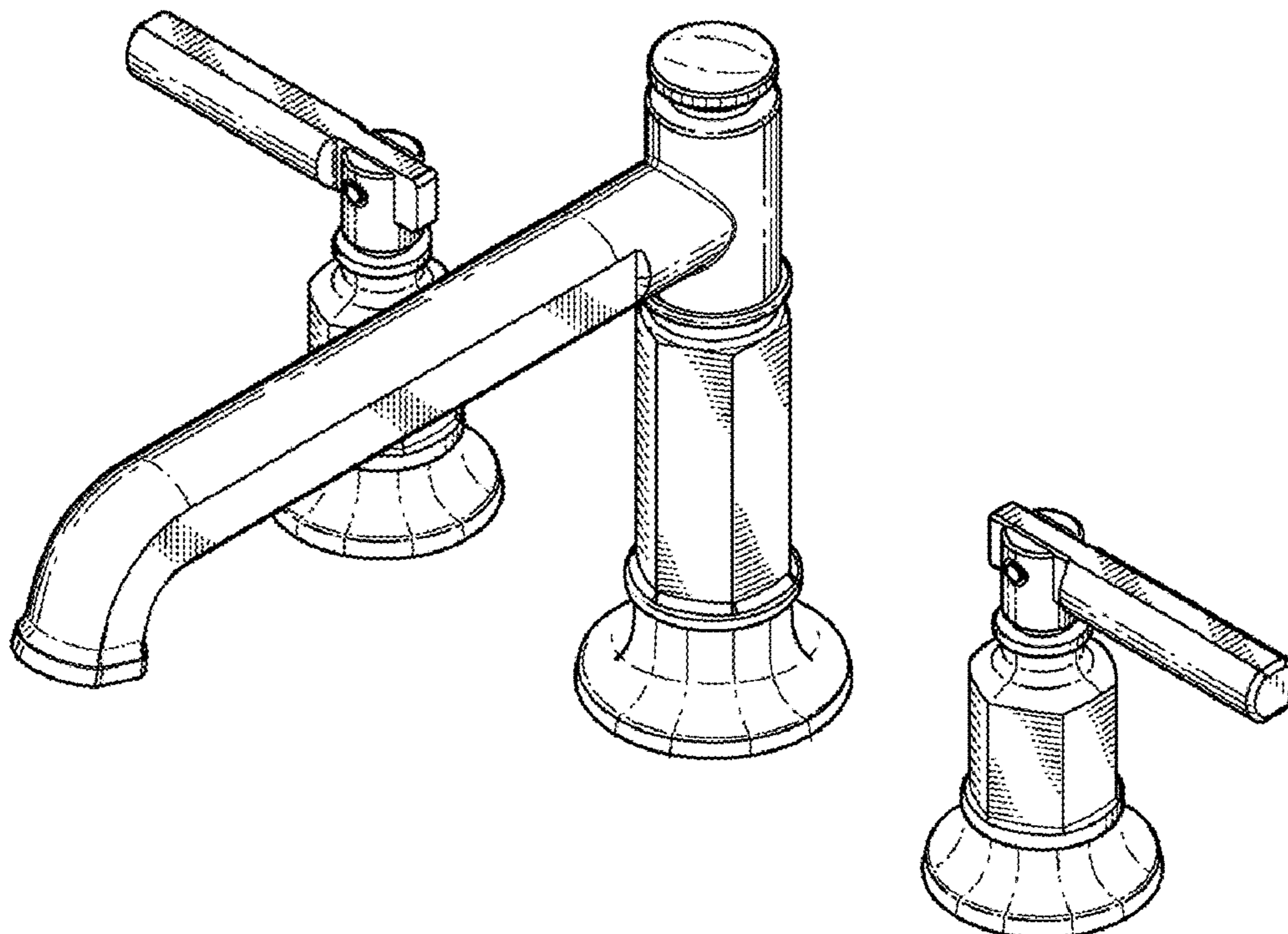
FIG. 4 is a rear view thereof;

FIG. 5 is a bottom view thereof; and,

FIG. 6 is a left side view thereof, the opposite side being a mirror image of the side shown.

The broken-line disclosure in the view represents a portion of the faucet in which the claimed design is embodied, but which forms no part of the claimed design.

1 Claim, 3 Drawing Sheets



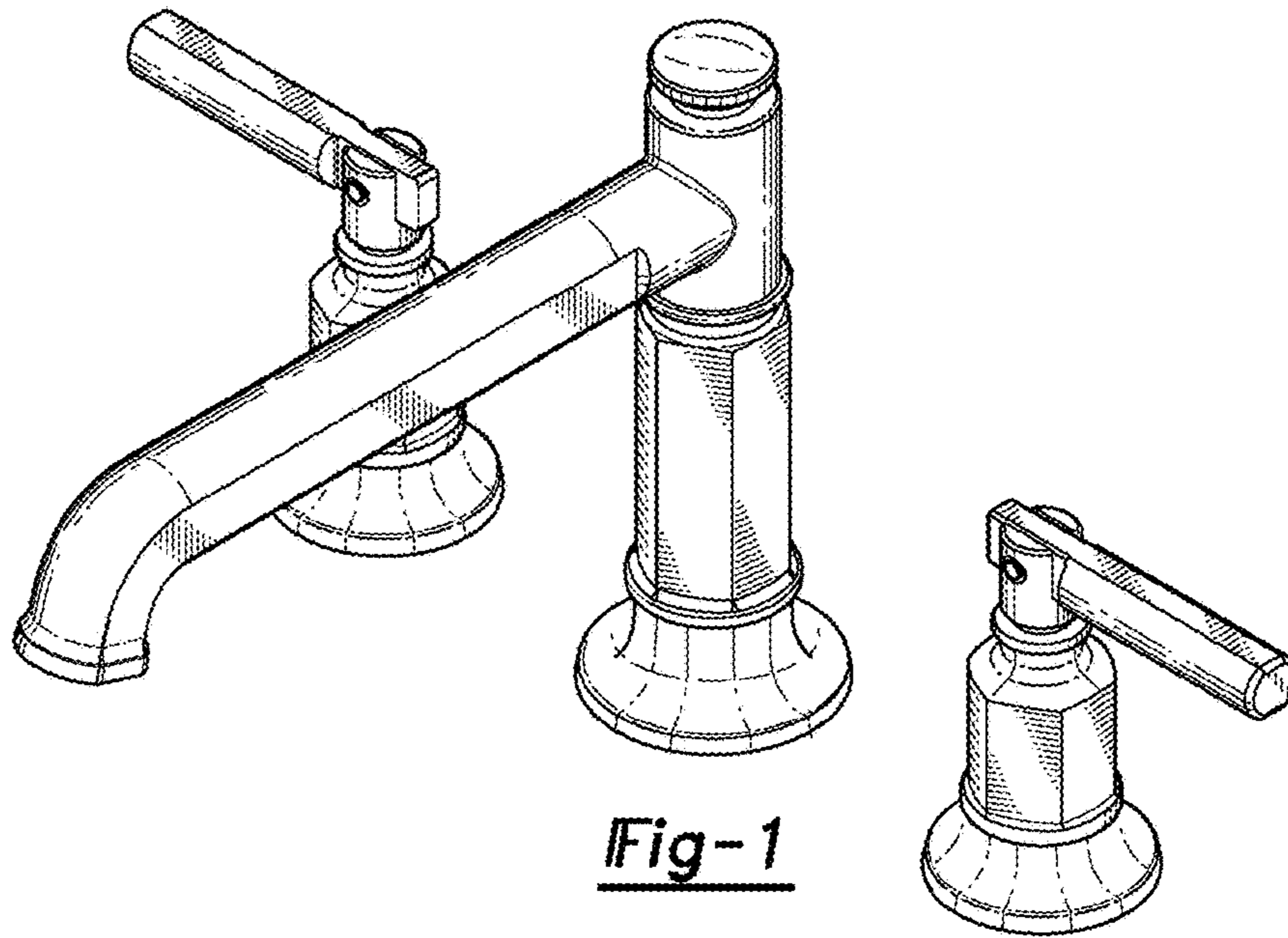


Fig-1

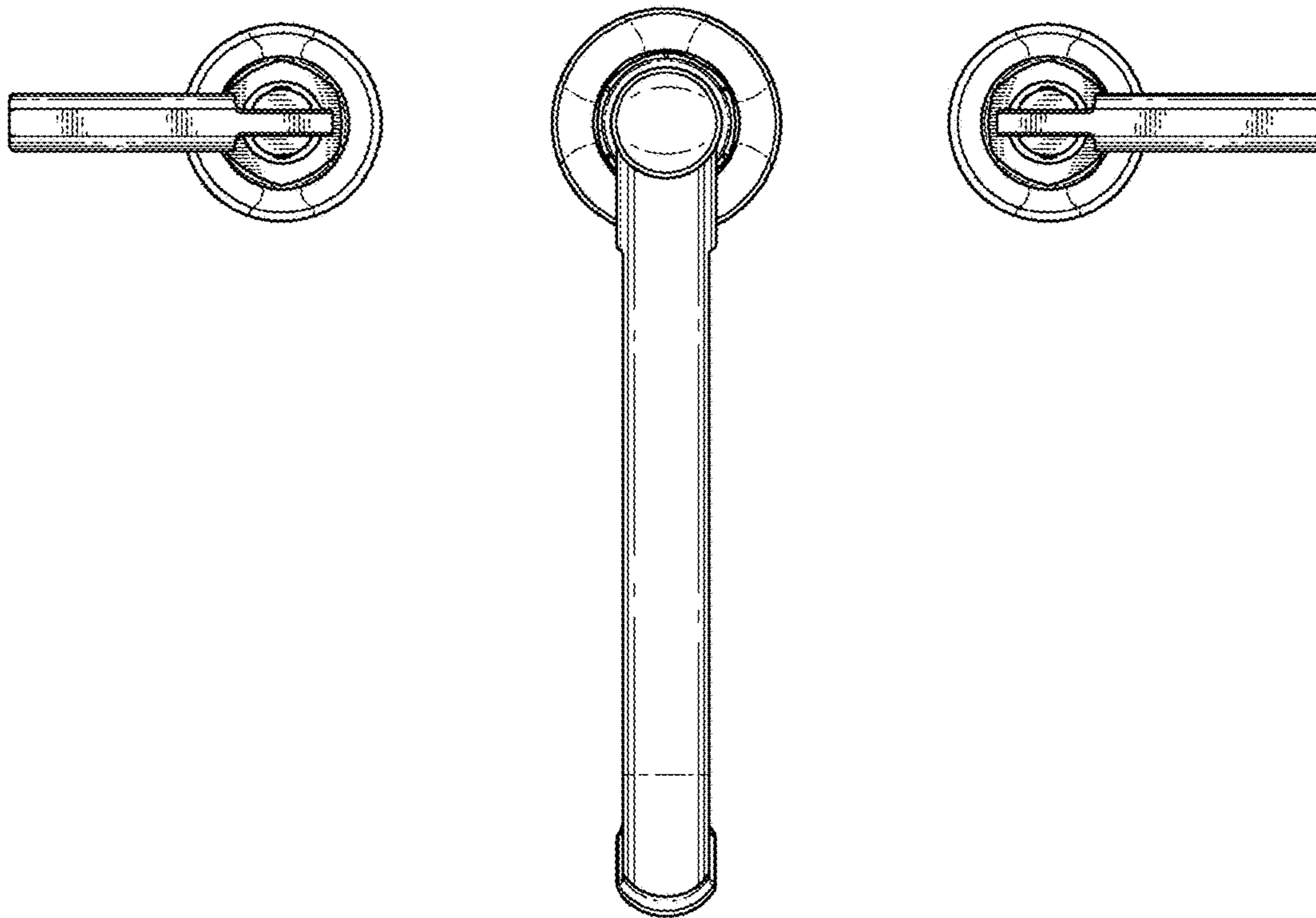


Fig-2

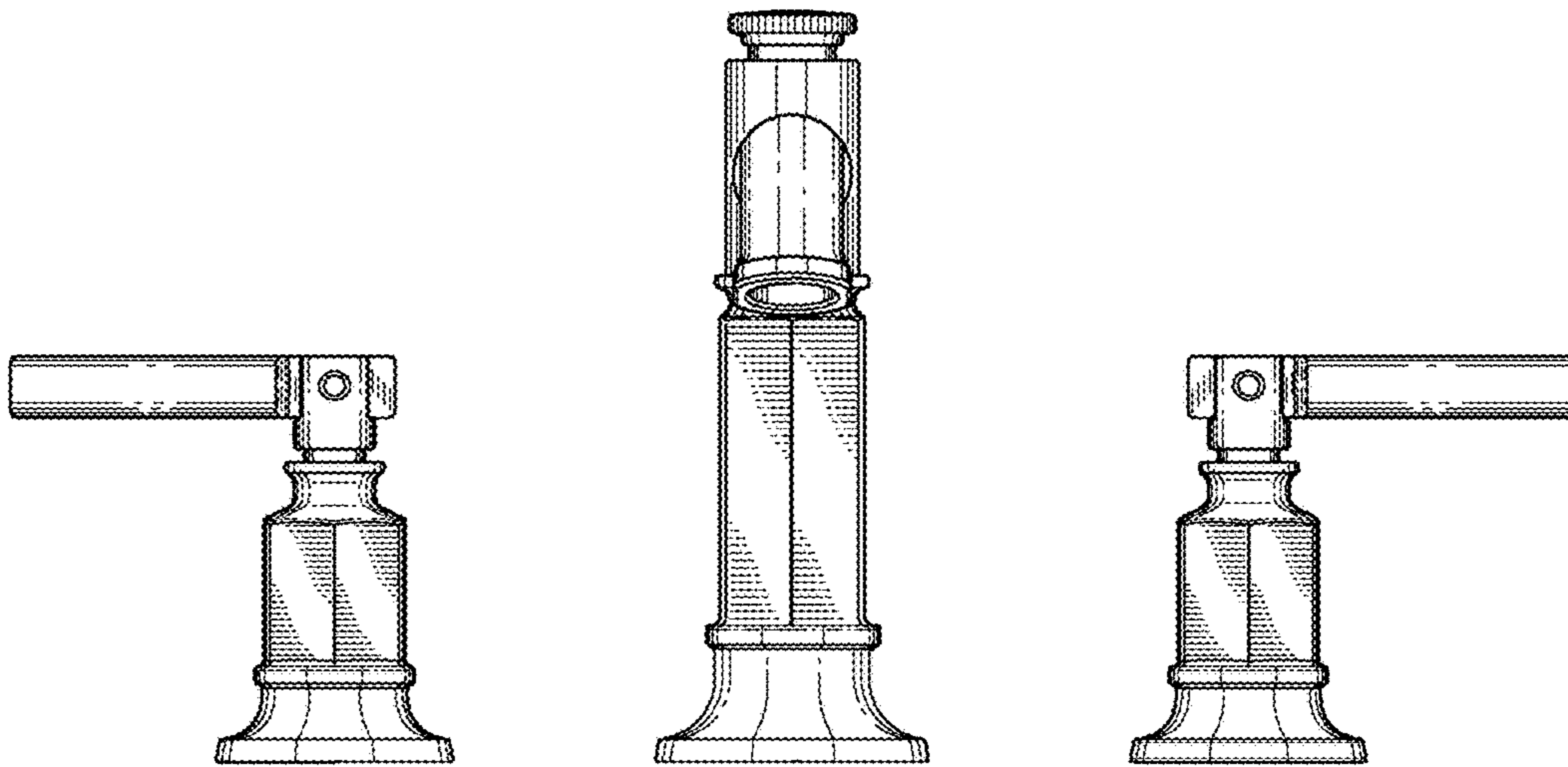


Fig-3

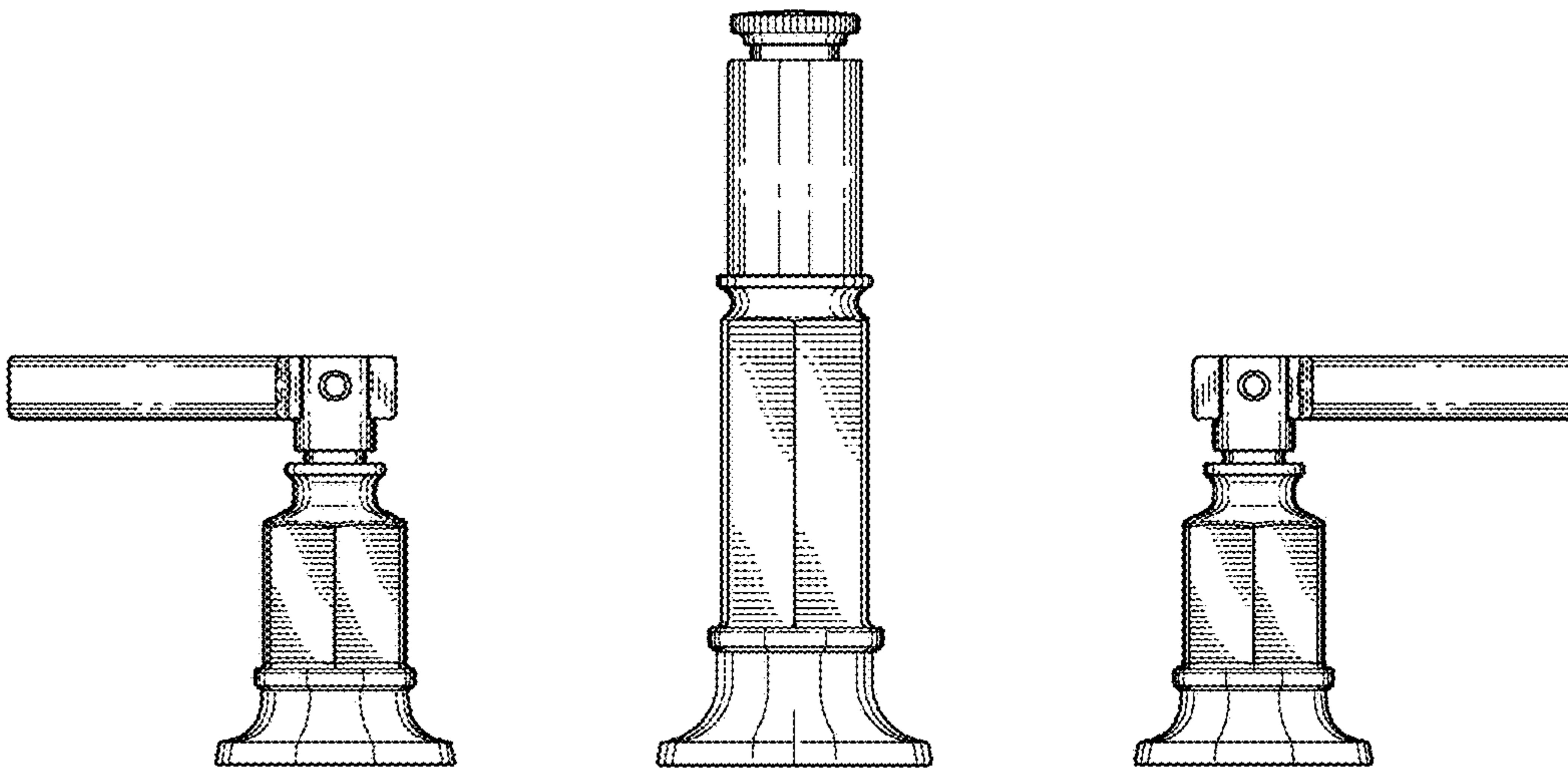


Fig-4

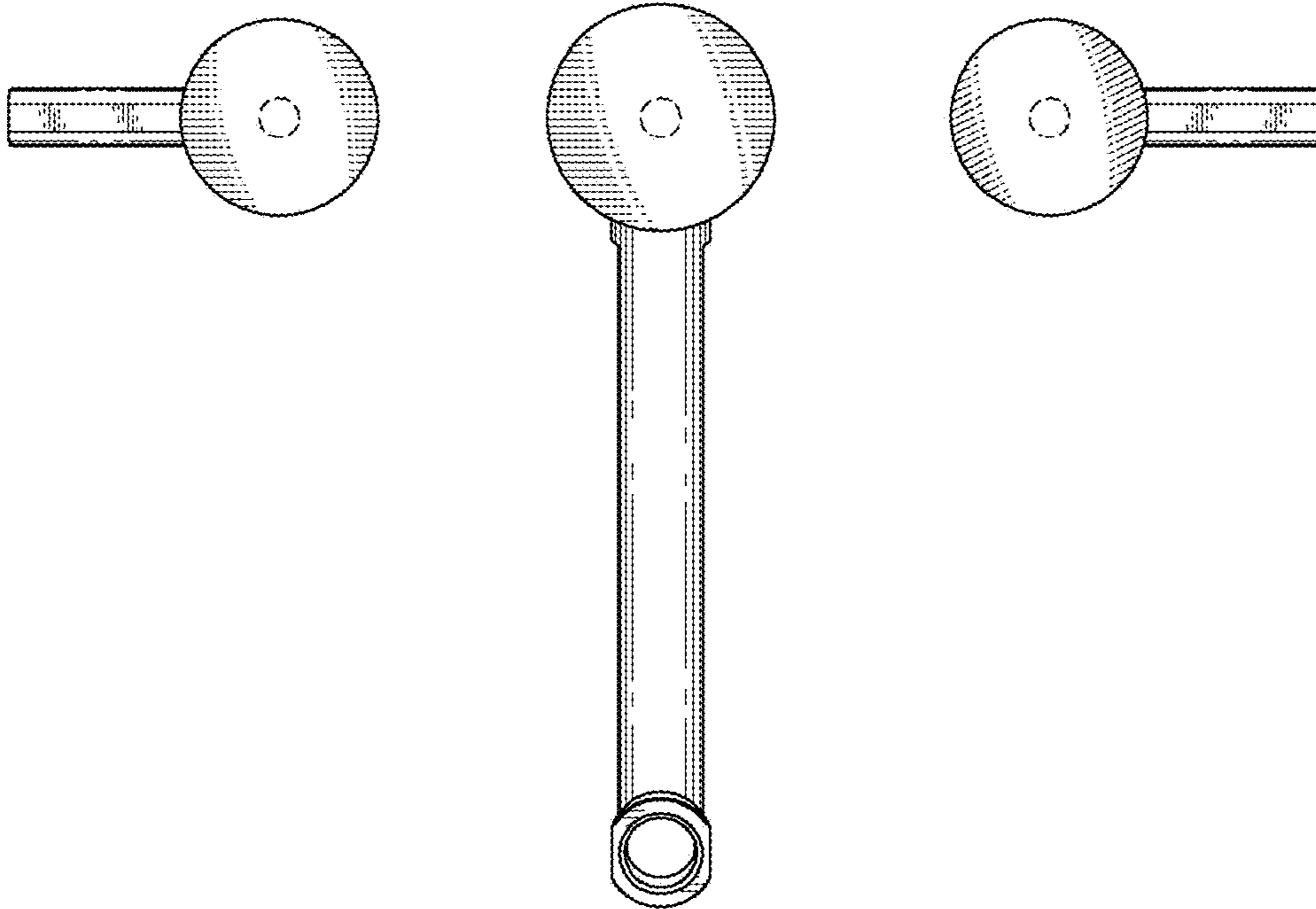


Fig-5

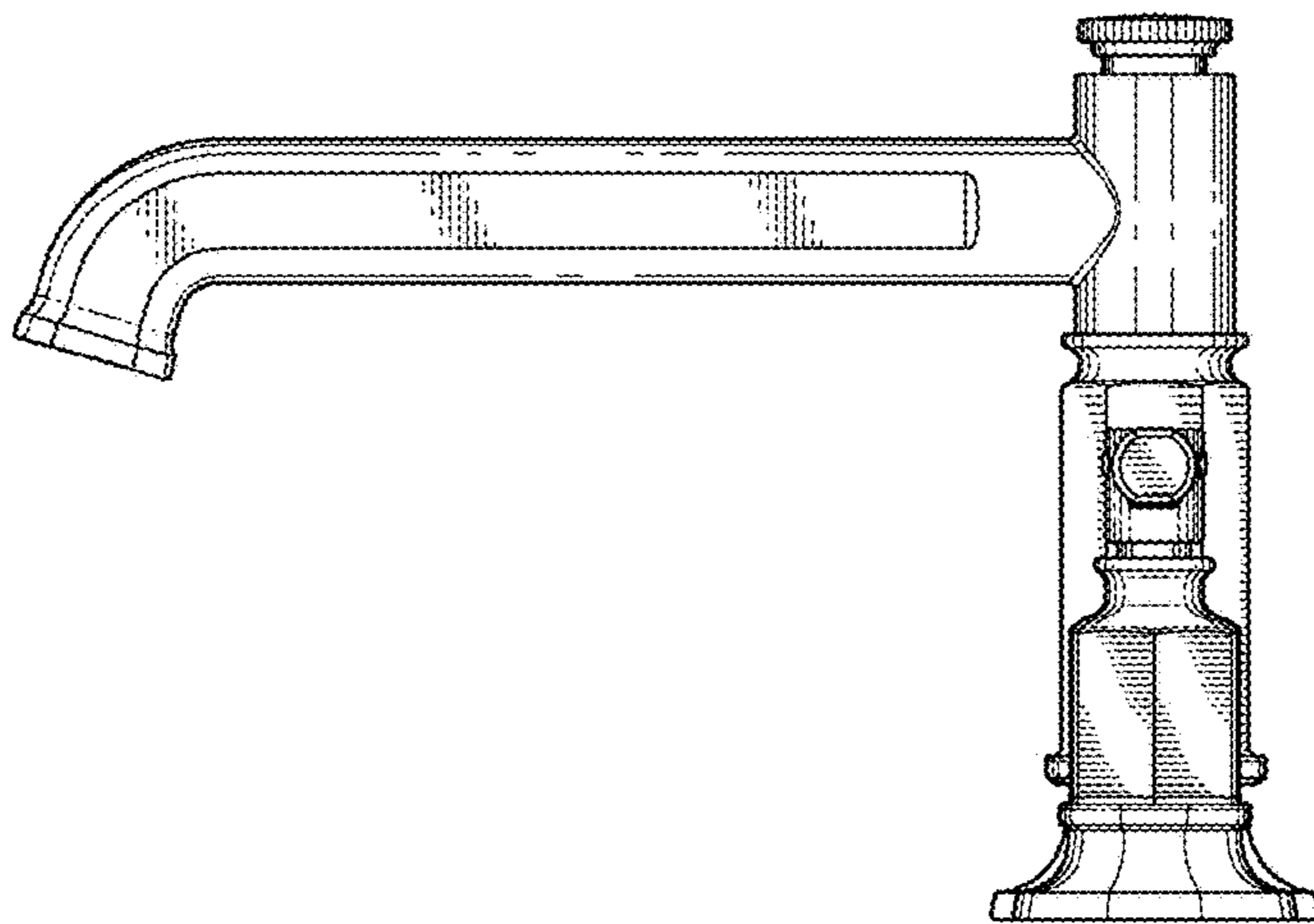


Fig-6