

US00D869613S

(12) **United States Design Patent**  
**Garland**

(10) **Patent No.:** **US D869,613 S**

(45) **Date of Patent:** **\*\* Dec. 10, 2019**

(54) **FAUCET**

(71) Applicant: **DELTA FAUCET COMPANY,**  
Indianapolis, IN (US)

(72) Inventor: **Celine Kwok Garland,** Zionsville, IN  
(US)

(73) Assignee: **DELTA FAUCET COMPANY,**  
Indianapolis, IN (US)

(\*\*) Term: **15 Years**

(21) Appl. No.: **29/667,408**

(22) Filed: **Oct. 22, 2018**

(51) **LOC (12) Cl.** ..... **23-01**

(52) **U.S. Cl.**  
USPC ..... **D23/242**

(58) **Field of Classification Search**  
USPC ..... D23/238-243, 249, 255, 257, 250, 254,  
D23/252; D8/300, 307-308  
CPC ..... F16K 31/60; F16K 31/602; F16K 31/605;  
F16K 31/607  
See application file for complete search history.

(56) **References Cited**

**U.S. PATENT DOCUMENTS**

D72,772 S \* 5/1927 Kipper ..... D8/307  
D87,830 S \* 9/1932 Ferguson ..... D23/252  
D203,147 S \* 12/1965 Kaiser ..... D23/250

D290,493 S \* 6/1987 Dragos ..... D23/250  
D566,817 S \* 4/2008 Isaacs ..... D23/255  
D570,455 S \* 6/2008 Dolan ..... D23/250  
D596,715 S \* 7/2009 Haug ..... D23/254  
D683,825 S \* 6/2013 Sofield ..... D23/255  
D714,913 S \* 10/2014 Smith ..... D23/250  
D728,343 S \* 5/2015 Han ..... D8/307  
D797,895 S \* 9/2017 Schaubach ..... D23/252  
D803,358 S \* 11/2017 Schoenherr ..... D23/242

\* cited by examiner

*Primary Examiner* — Robert A Delehanty

(74) *Attorney, Agent, or Firm* — Edgar A. Zarins; Nirav  
D. Parikh

(57) **CLAIM**

The ornamental design for a faucet, as shown and described.

**DESCRIPTION**

FIG. 1 is a perspective view of a faucet showing my new design;

FIG. 2 is a top plan view thereof;

FIG. 3 is a front elevational view thereof;

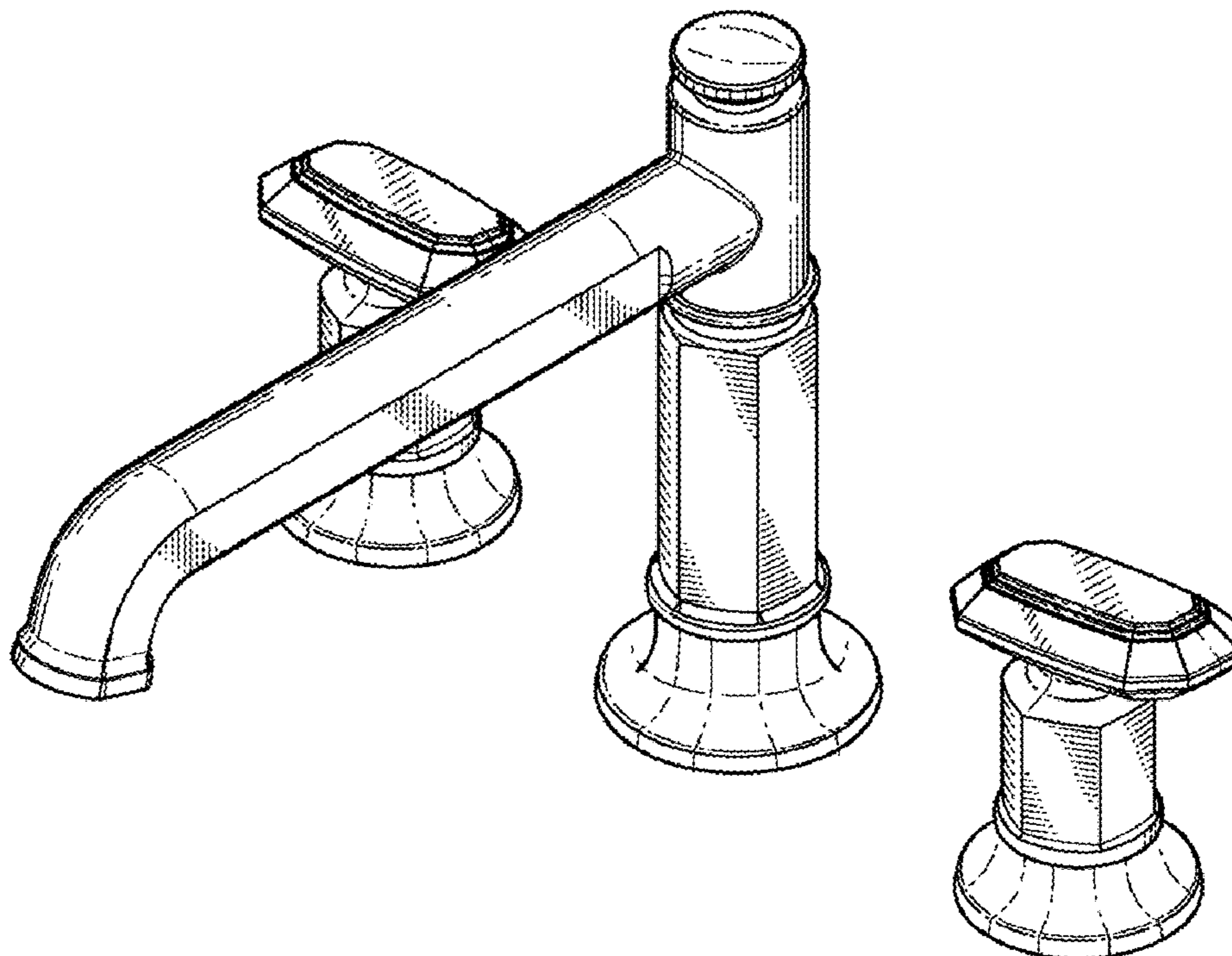
FIG. 4 is a rear view thereof;

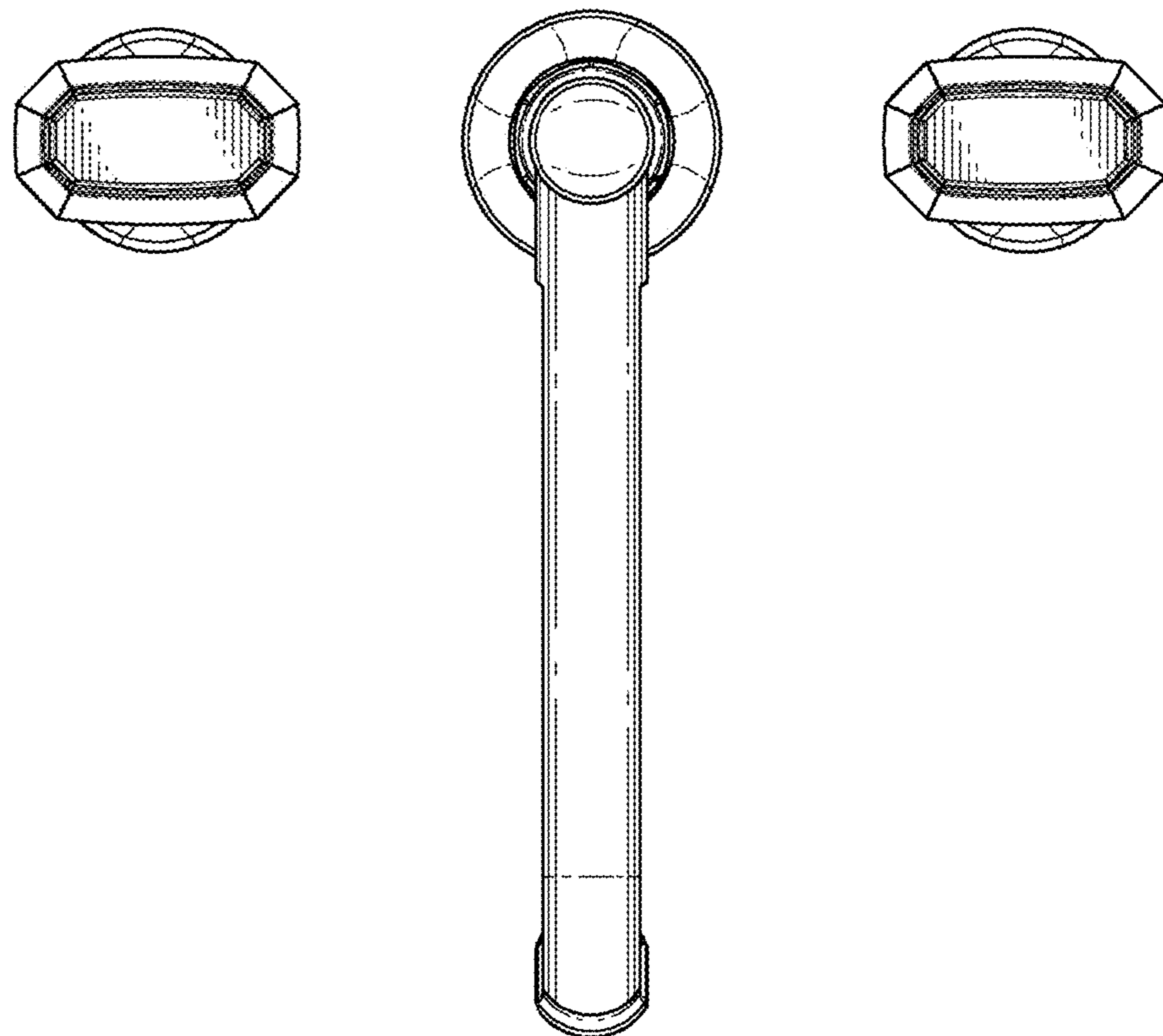
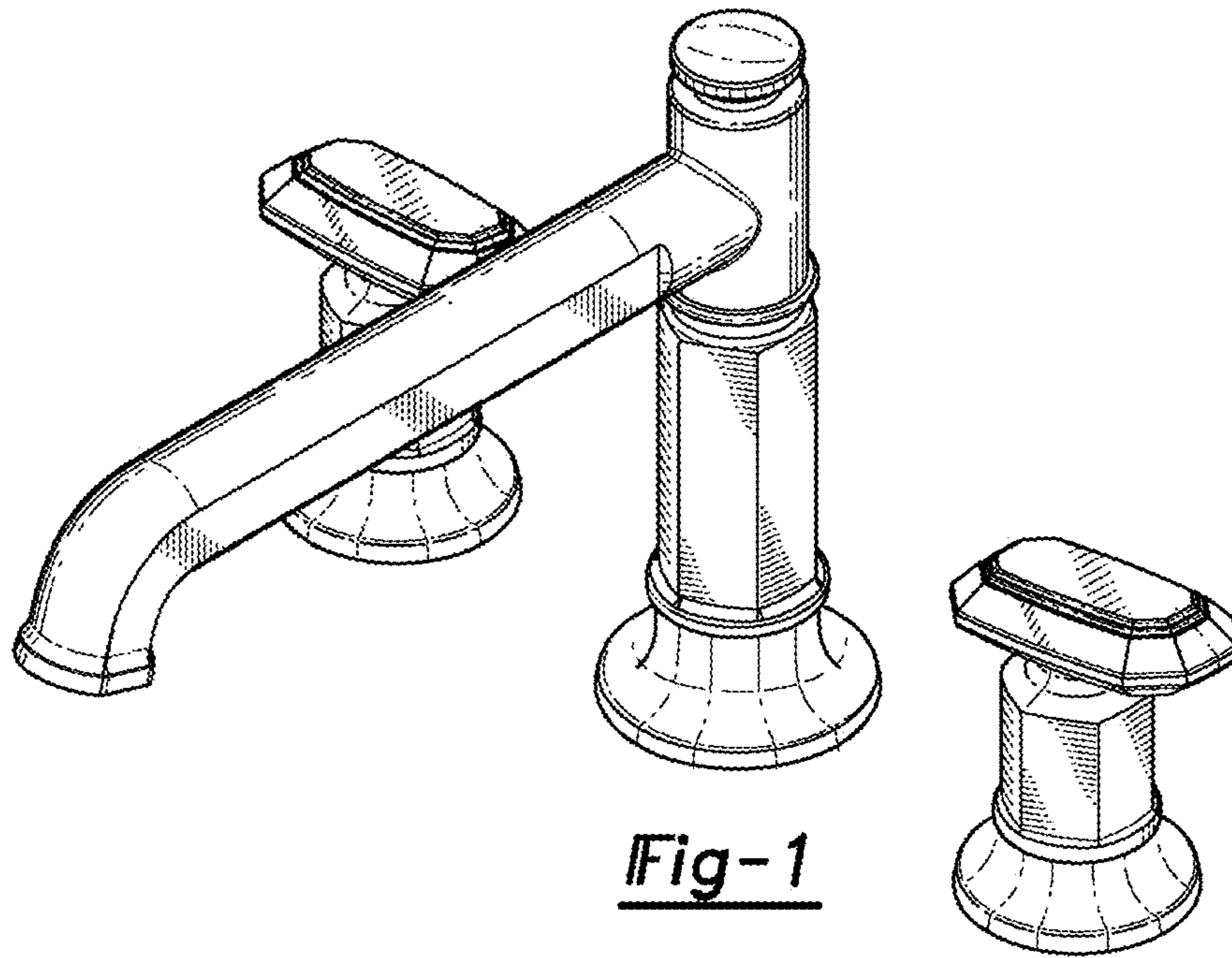
FIG. 5 is a bottom view thereof; and,

FIG. 6 is a left side view thereof, the opposite side being a mirror image of the side shown.

The broken-line disclosure in the view represents a portion of the faucet in which the claimed design is embodied, but which forms no part of the claimed design.

**1 Claim, 3 Drawing Sheets**





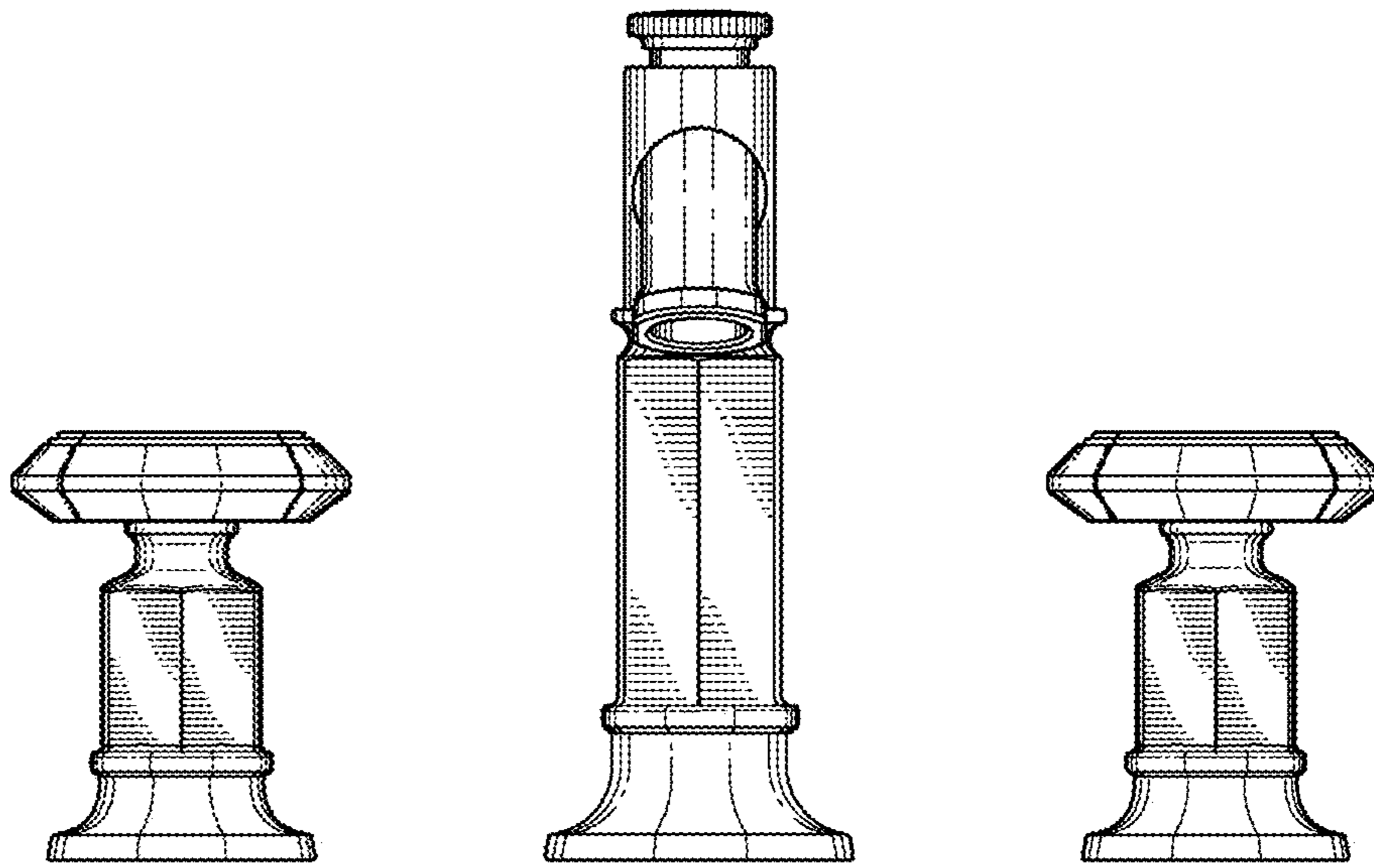


Fig-3

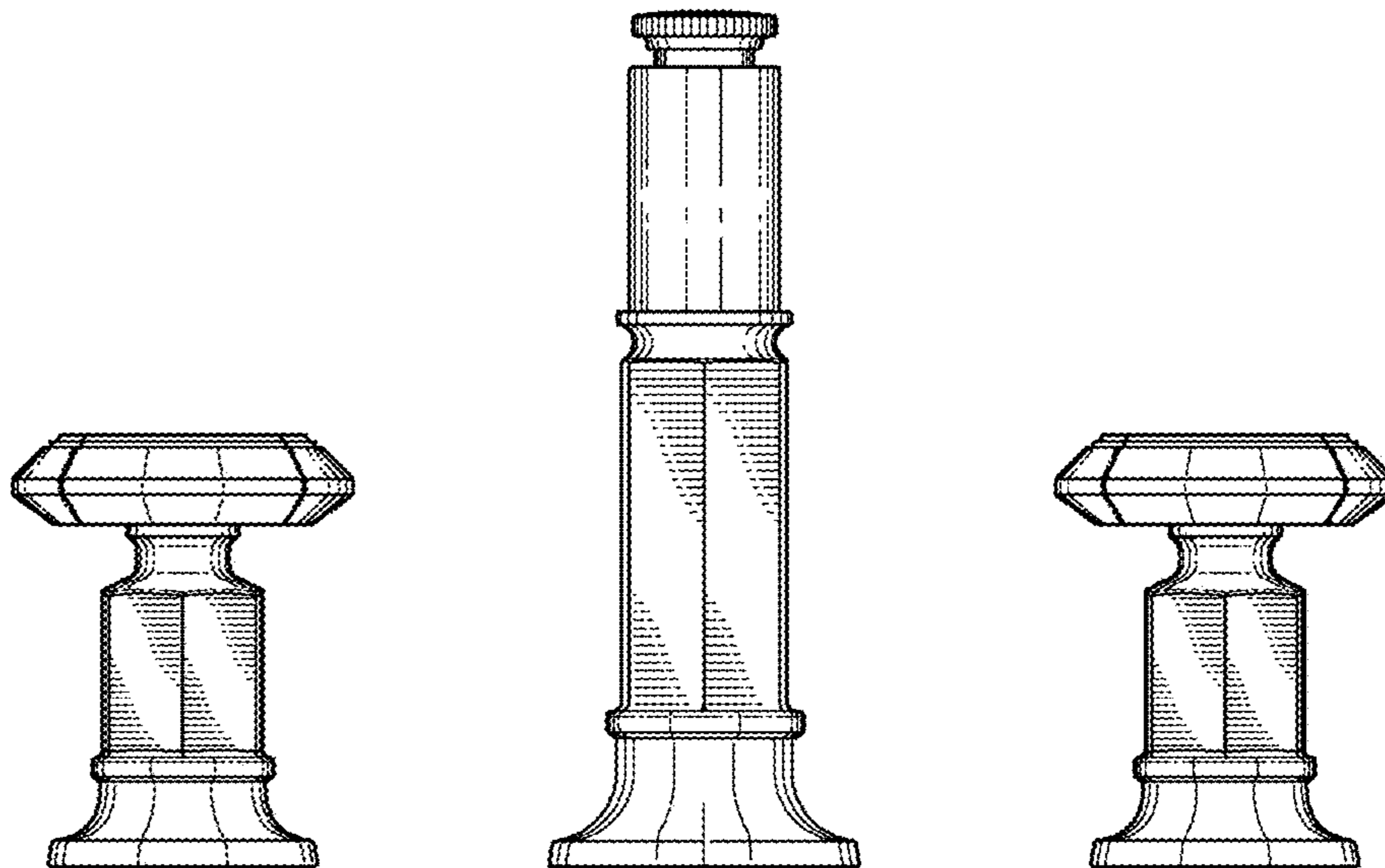


Fig-4

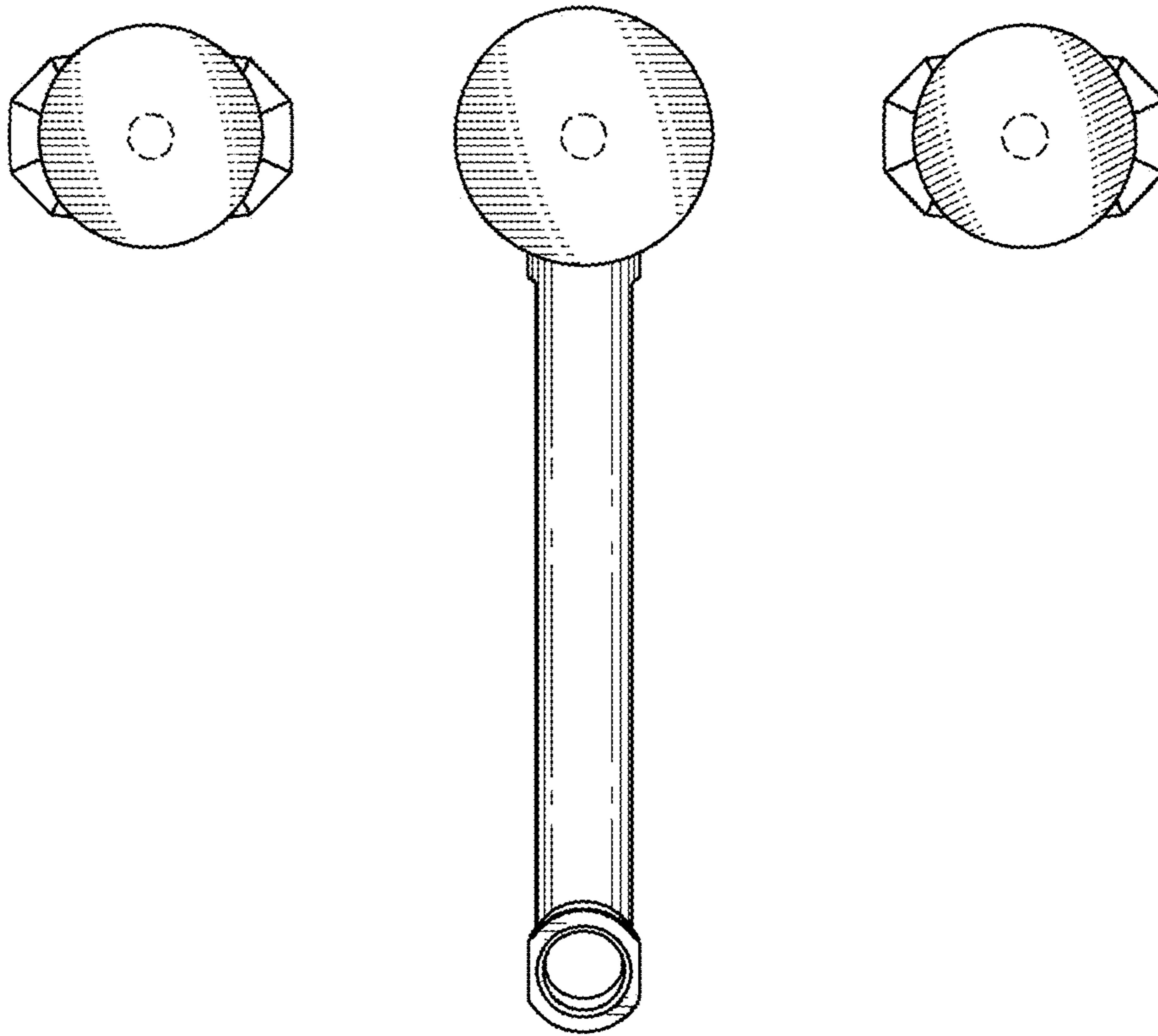


Fig-5

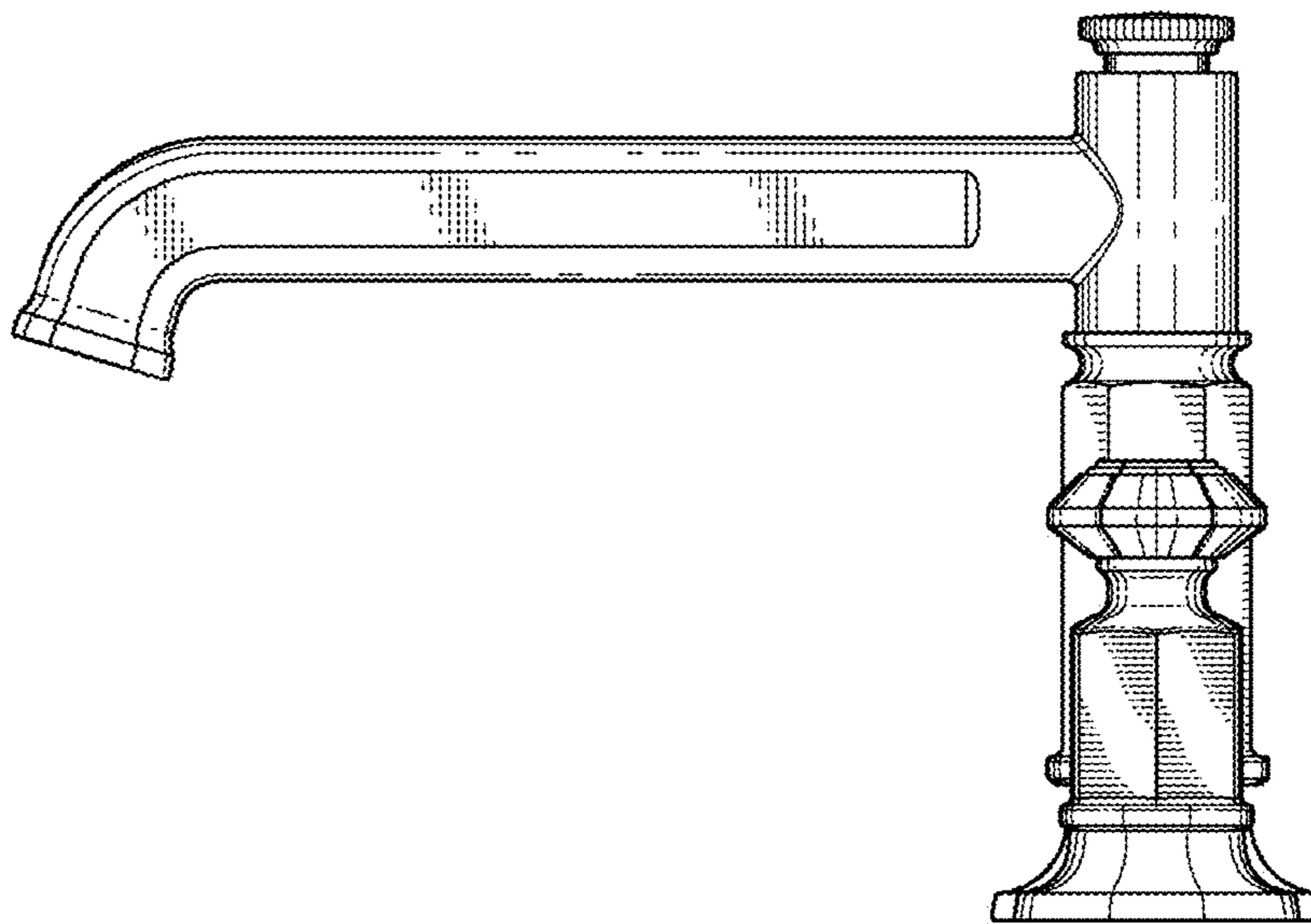


Fig-6