



US00D869612S

(12) **United States Design Patent**
Moerman et al.

(10) **Patent No.:** **US D869,612 S**

(45) **Date of Patent:** **** Dec. 10, 2019**

(54) **BASIN MIXER**

(71) Applicant: **JEE-O Concepts B.V.**, Nijmegen (NL)

(72) Inventors: **Lammert Moerman**, Beuningen (NL);
Edward van Vliet, Amsterdam (NL)

(73) Assignee: **JEE-O Concepts B.V.**, Nijmegen (NL)

(**) Term: **15 Years**

(21) Appl. No.: **29/663,863**

(22) Filed: **Sep. 19, 2018**

(30) **Foreign Application Priority Data**

Mar. 20, 2018 (EM) 004821015-0004

(51) **LOC (12) Cl.** **23-01**

(52) **U.S. Cl.**
USPC **D23/242**

(58) **Field of Classification Search**
USPC D23/238-243, 249, 255, 257, 250-252,
D23/254; D8/305, 307-308, 29
See application file for complete search history.

(56) **References Cited**

U.S. PATENT DOCUMENTS

D397,599 S * 9/1998 Stamp D8/29
D446,286 S * 8/2001 Fleischmann D23/242

D503,606 S * 4/2005 McKain D8/21
D568,712 S * 5/2008 Ricereto D8/307
D801,483 S * 10/2017 Neumayr D23/242
D844,756 S * 4/2019 Cummings D23/255

* cited by examiner

Primary Examiner — Robert A Delehanty

(74) *Attorney, Agent, or Firm* — McAndrews, Held & Malloy, Ltd.

(57) **CLAIM**

The ornamental design for a basin mixer, as shown and described.

DESCRIPTION

FIG. 1 is a front view of a basin mixer showing my new design;

FIG. 2 is a front left perspective view thereof;

FIG. 3 is a left perspective view thereof;

FIG. 4 is a top left perspective view thereof;

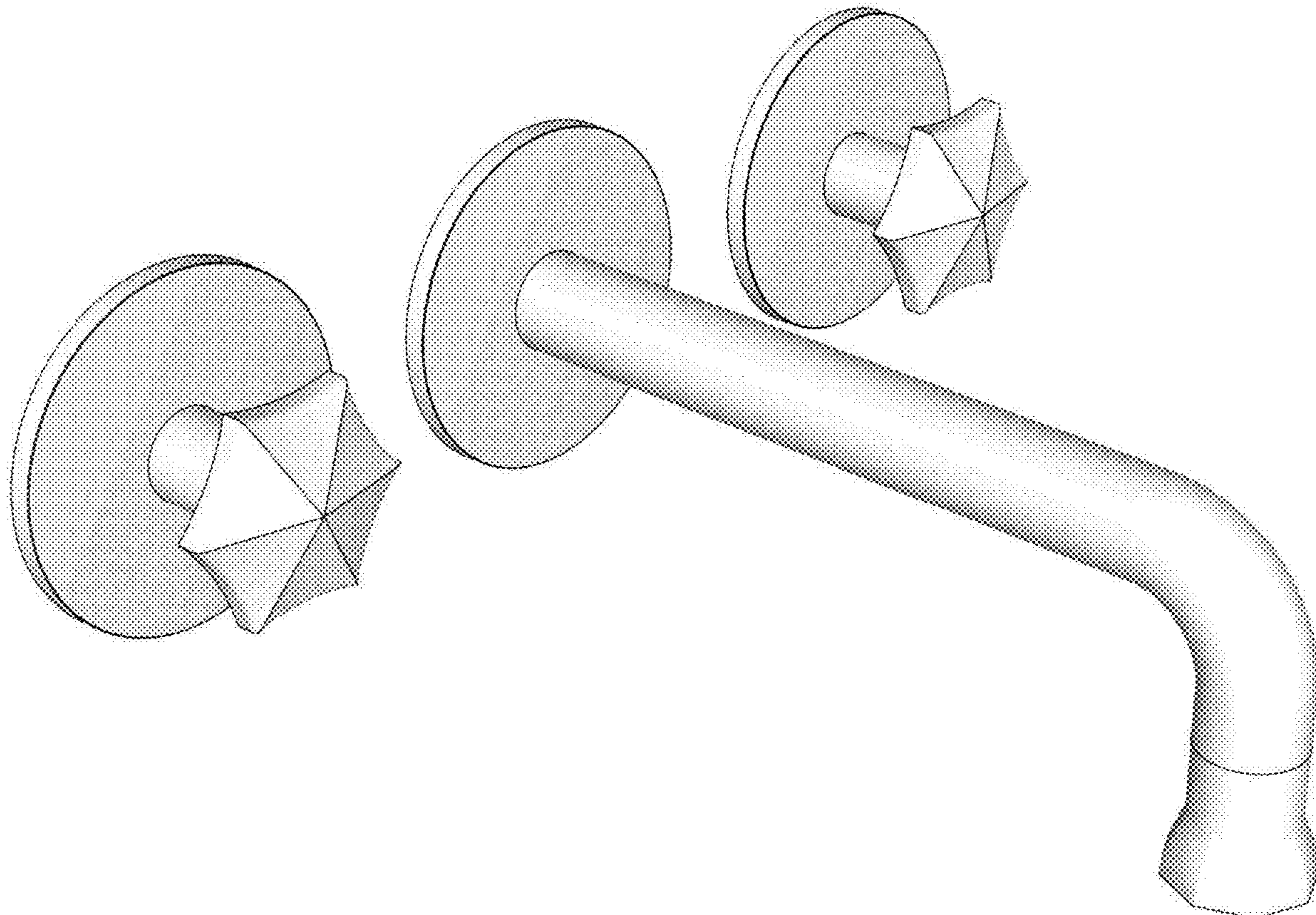
FIG. 5 is an enlarged front left perspective view of a portion of the basin mixer; and,

FIG. 6 is an enlarged top left perspective view of a portion of the basin mixer.

The drawings include surface shading which represents contour and not surface ornamentation.

Views of the basin mixer not shown form no part of the claimed design.

1 Claim, 6 Drawing Sheets



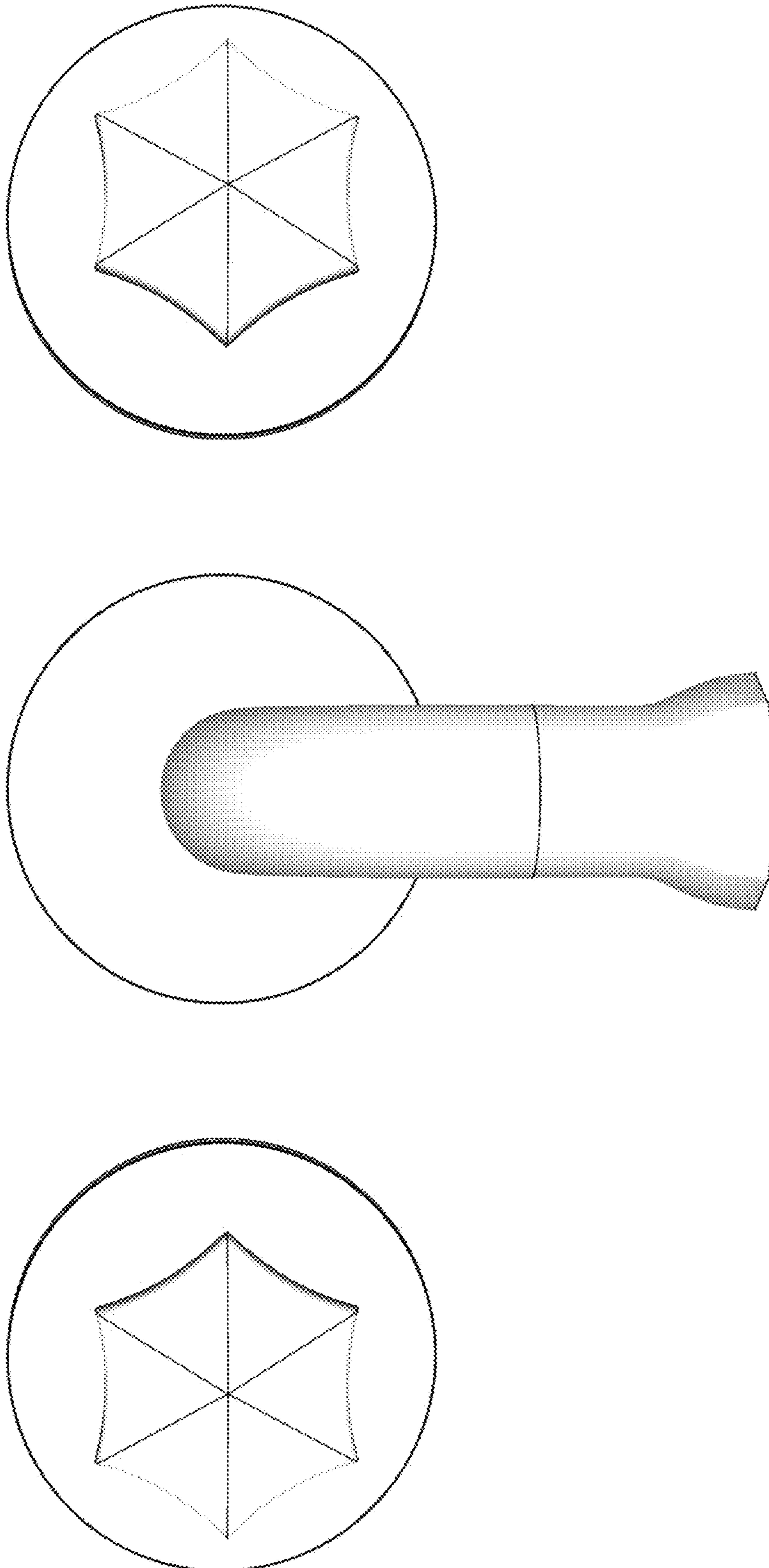


FIG. 1

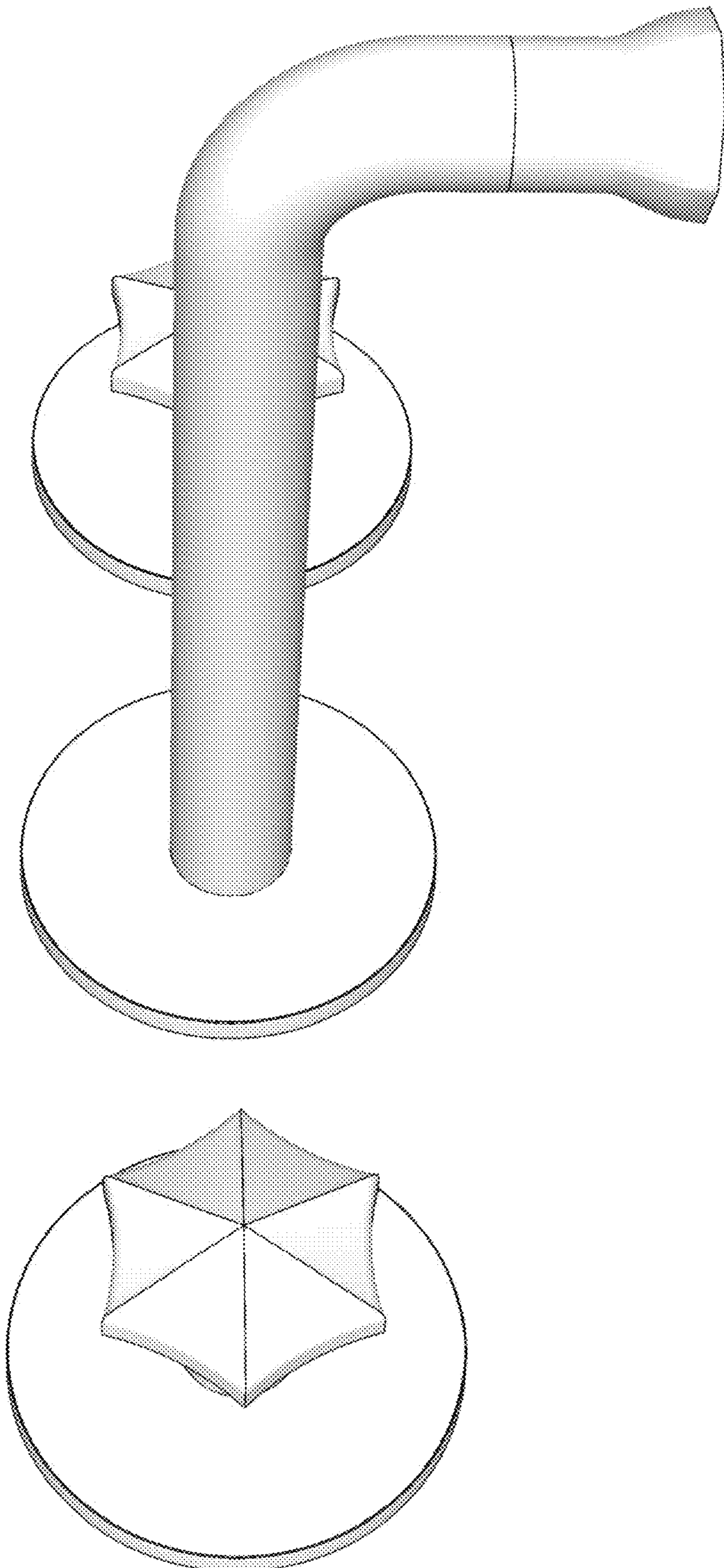


FIG. 2

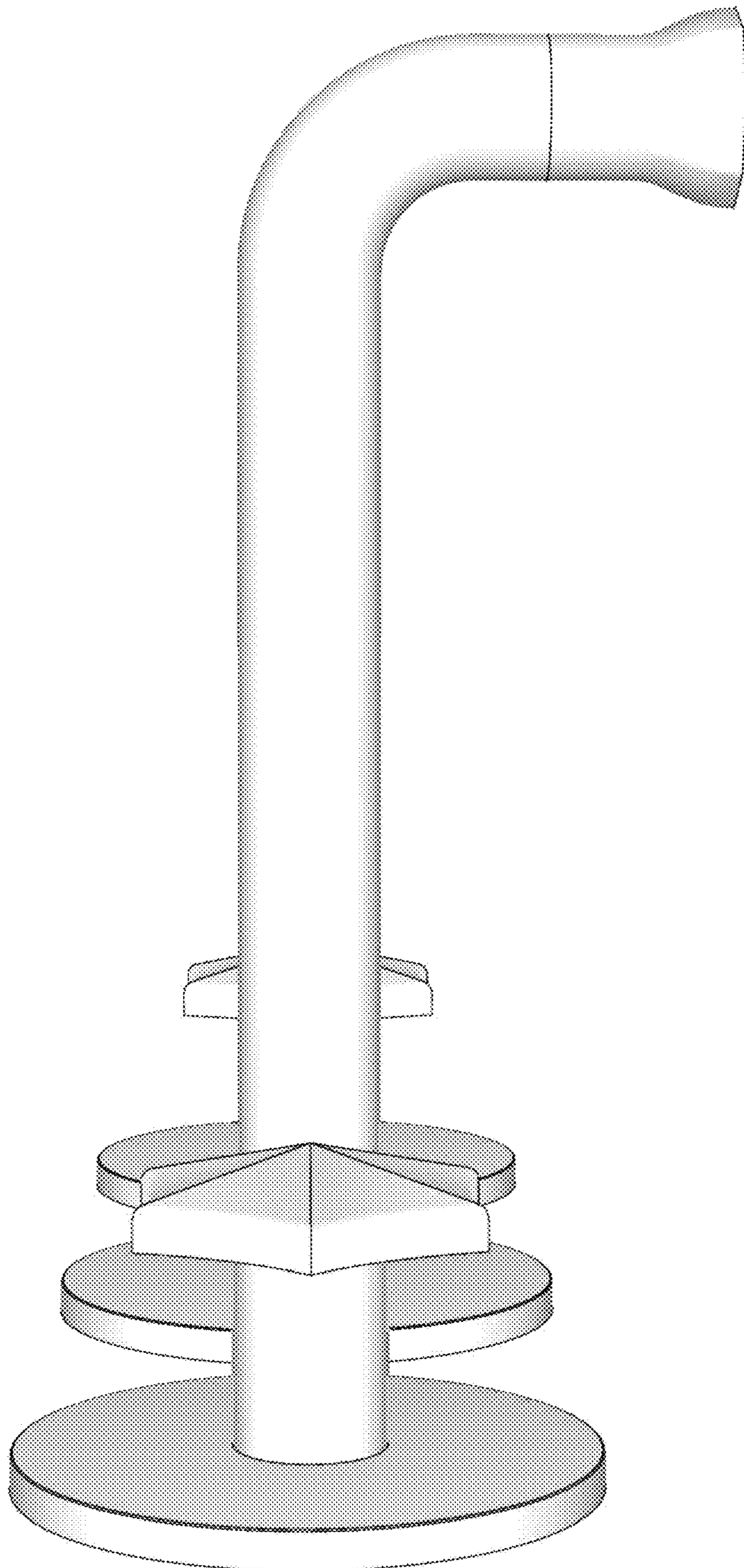


FIG. 3

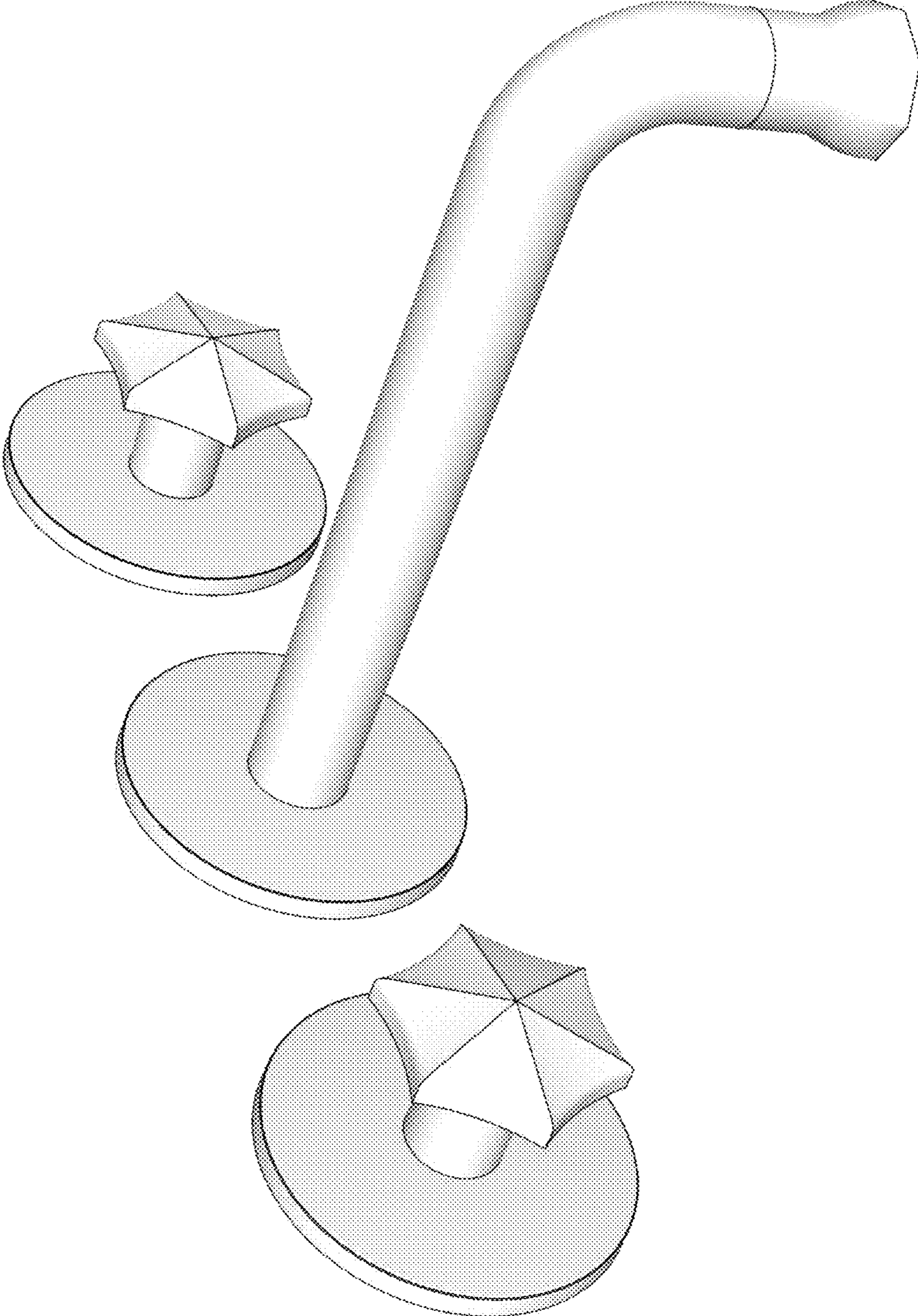


FIG. 4

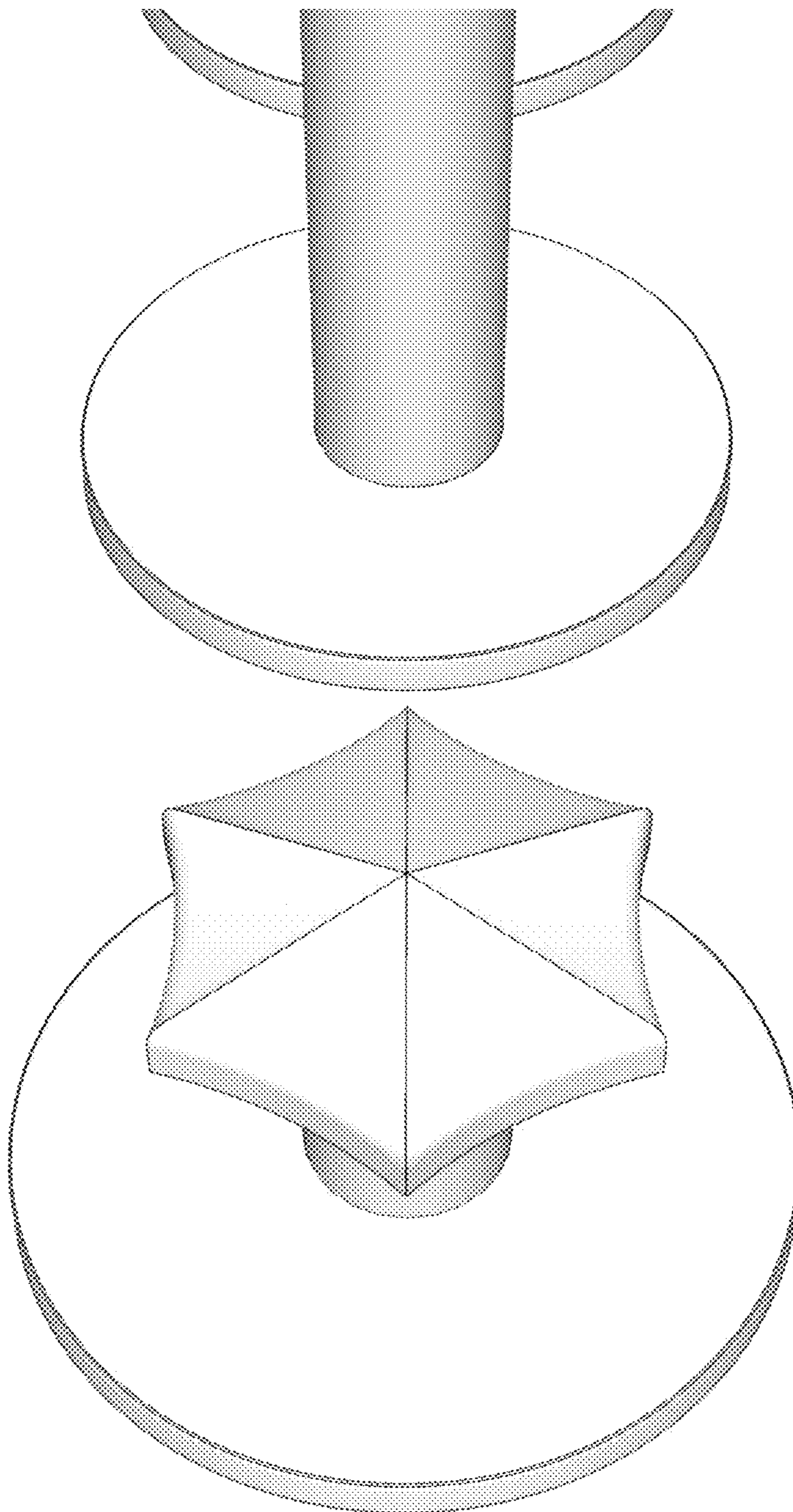


FIG. 5

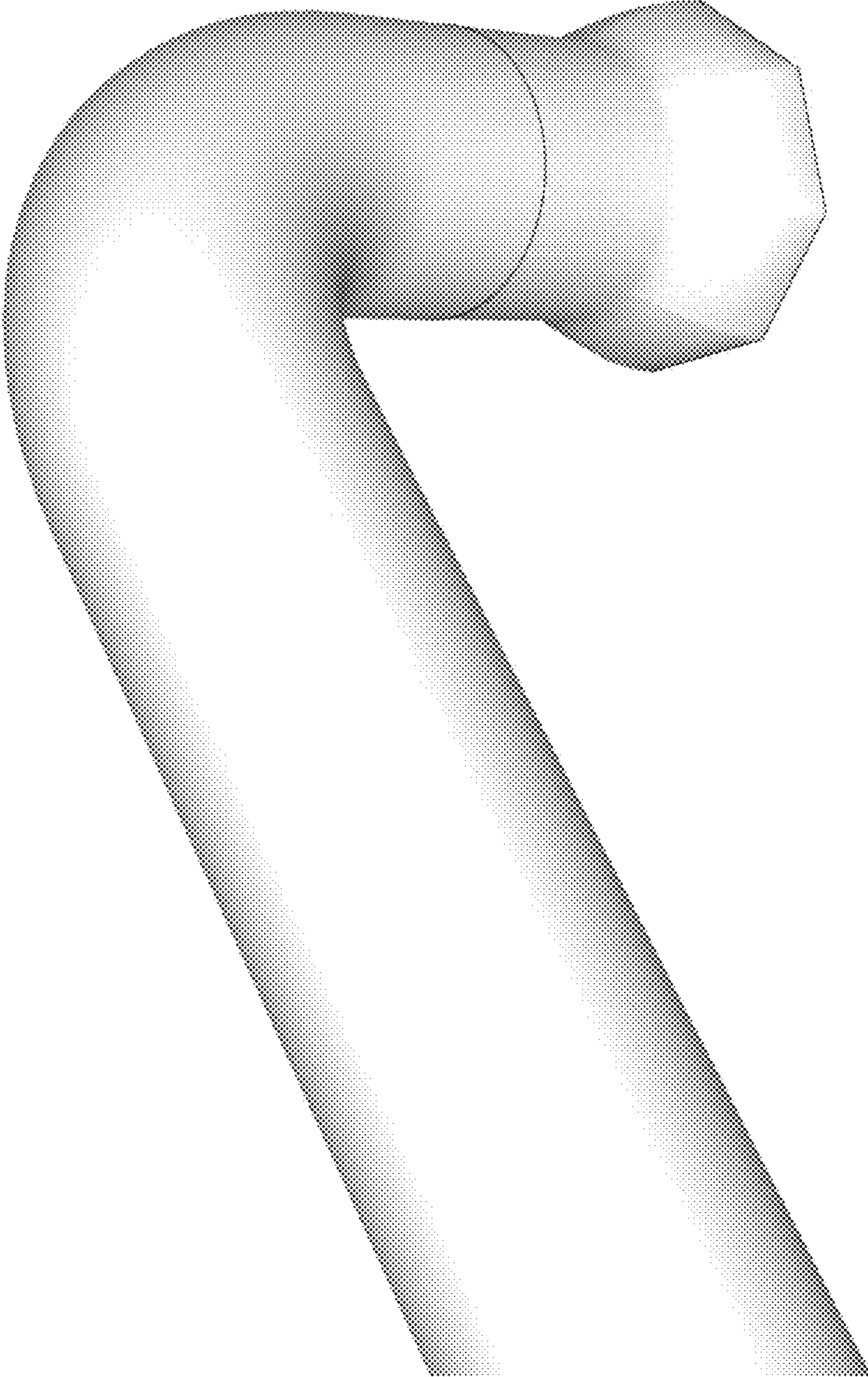


FIG. 6