



US00D869611S

(12) **United States Design Patent**
van Vliet et al.

(10) **Patent No.:** **US D869,611 S**

(45) **Date of Patent:** **** Dec. 10, 2019**

(54) **BASIN MIXER**

(71) Applicant: **JEE-O Concepts B.V.**, Nijmegen (NL)

(72) Inventors: **Edward van Vliet**, Amsterdam (NL);
Lammert Moerman, Beuningen (NL)

(73) Assignee: **JEE-O Concepts B.V.**, Nijmegen (NL)

(**) Term: **15 Years**

(21) Appl. No.: **29/663,865**

(22) Filed: **Sep. 19, 2018**

(30) **Foreign Application Priority Data**

Mar. 20, 2018 (EM) 004821015-0001

(51) **LOC (12) Cl.** **23-01**

(52) **U.S. Cl.**
USPC **D23/241**

(58) **Field of Classification Search**
USPC D23/238–243, 249, 255, 257, 250–252,
D23/254; D8/305, 307–308, 29
See application file for complete search history.

(56) **References Cited**

U.S. PATENT DOCUMENTS

D397,599 S * 9/1998 Stamp D8/29
D503,606 S * 4/2005 McKain D8/21

D566,813 S * 4/2008 Kohler, Jr. D23/238
D568,712 S * 5/2008 Ricereto D8/307
D632,364 S * 2/2011 Choi D23/238
D713,936 S * 9/2014 Antonello D23/241
D734,834 S * 7/2015 Flowers D23/238
D787,019 S * 5/2017 Ziemann D23/238
D839,392 S * 1/2019 Cummings D23/255

* cited by examiner

Primary Examiner — Robert A Delehanty

(74) *Attorney, Agent, or Firm* — McAndrews, Held & Malloy, Ltd.

(57) **CLAIM**

The ornamental design for a basin mixer, as shown and described.

DESCRIPTION

FIG. 1 is a front view of a basin mixer showing my new design;

FIG. 2 is a front left perspective view thereof;

FIG. 3 is a left perspective view thereof;

FIG. 4 is a top left perspective view thereof;

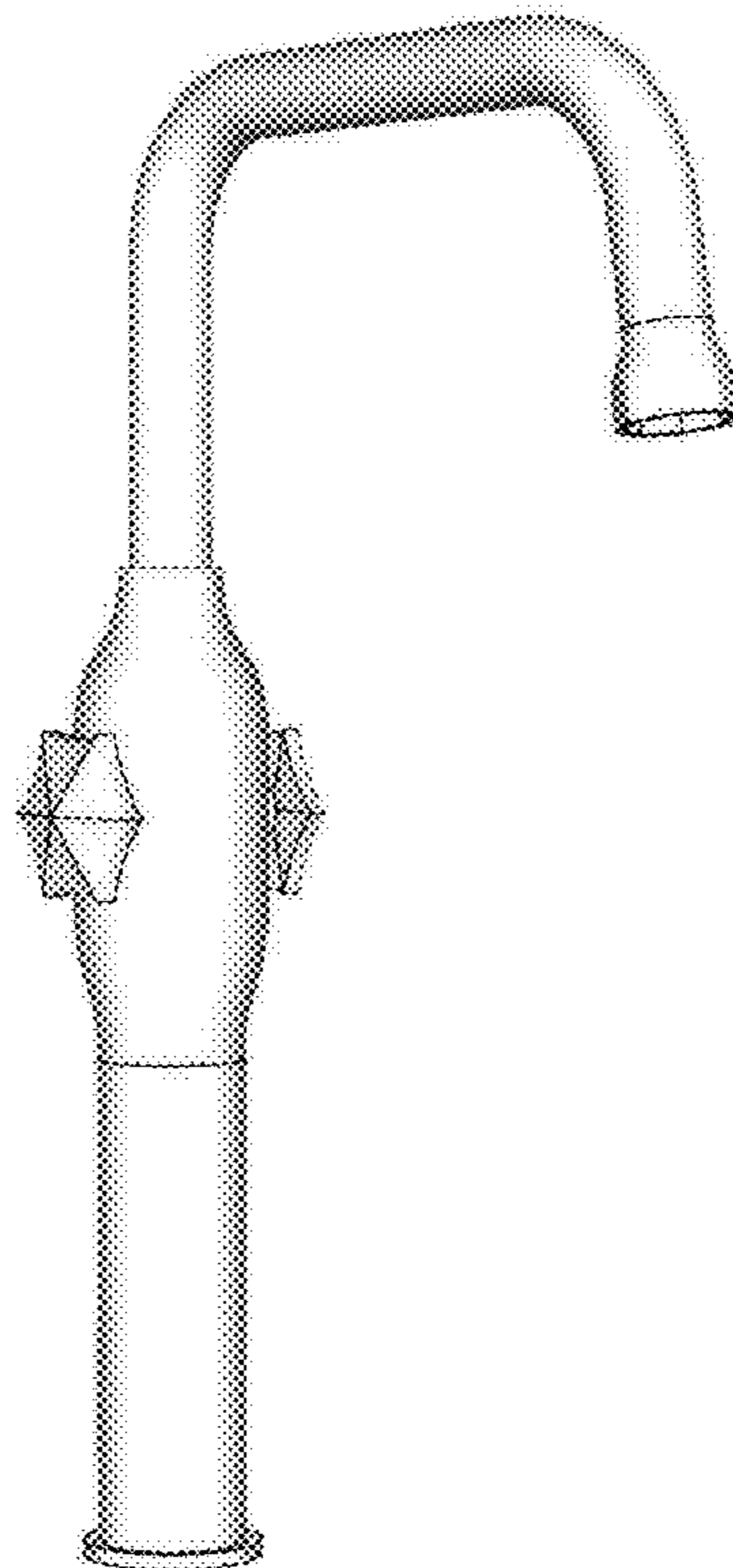
FIG. 5 is an enlarged front left perspective view of a portion of the basin mixer; and,

FIG. 6 is an enlarged bottom left perspective view of a portion of the basin mixer.

The drawings include surface shading which represents contour and not surface ornamentation.

Views of the basin mixer not shown form no part of the claimed design.

1 Claim, 6 Drawing Sheets



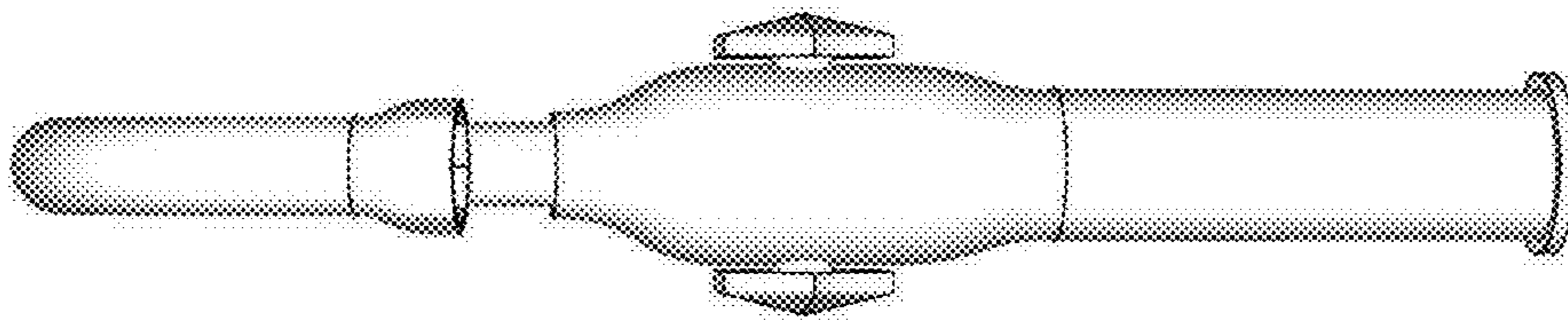


FIG. 1

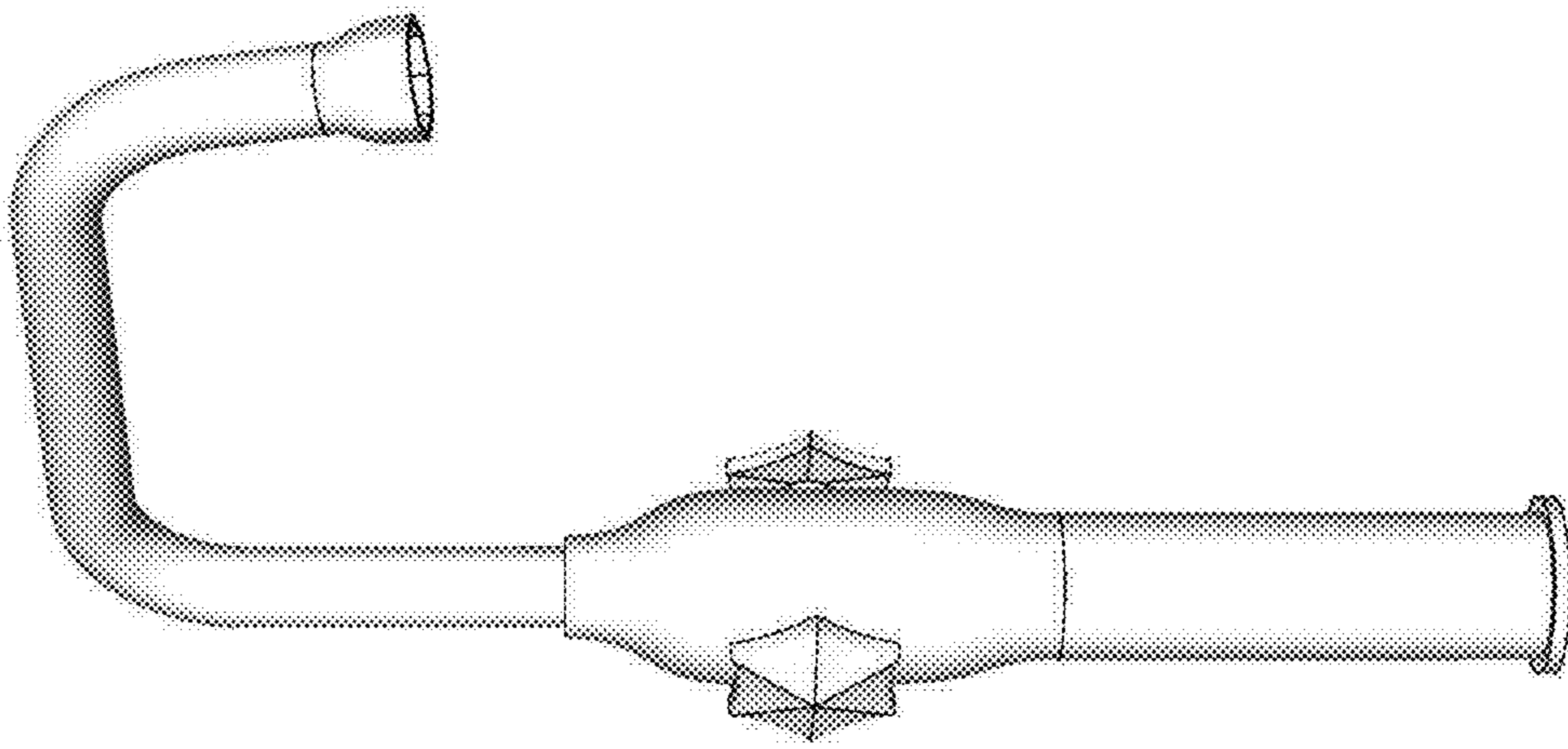


FIG. 2

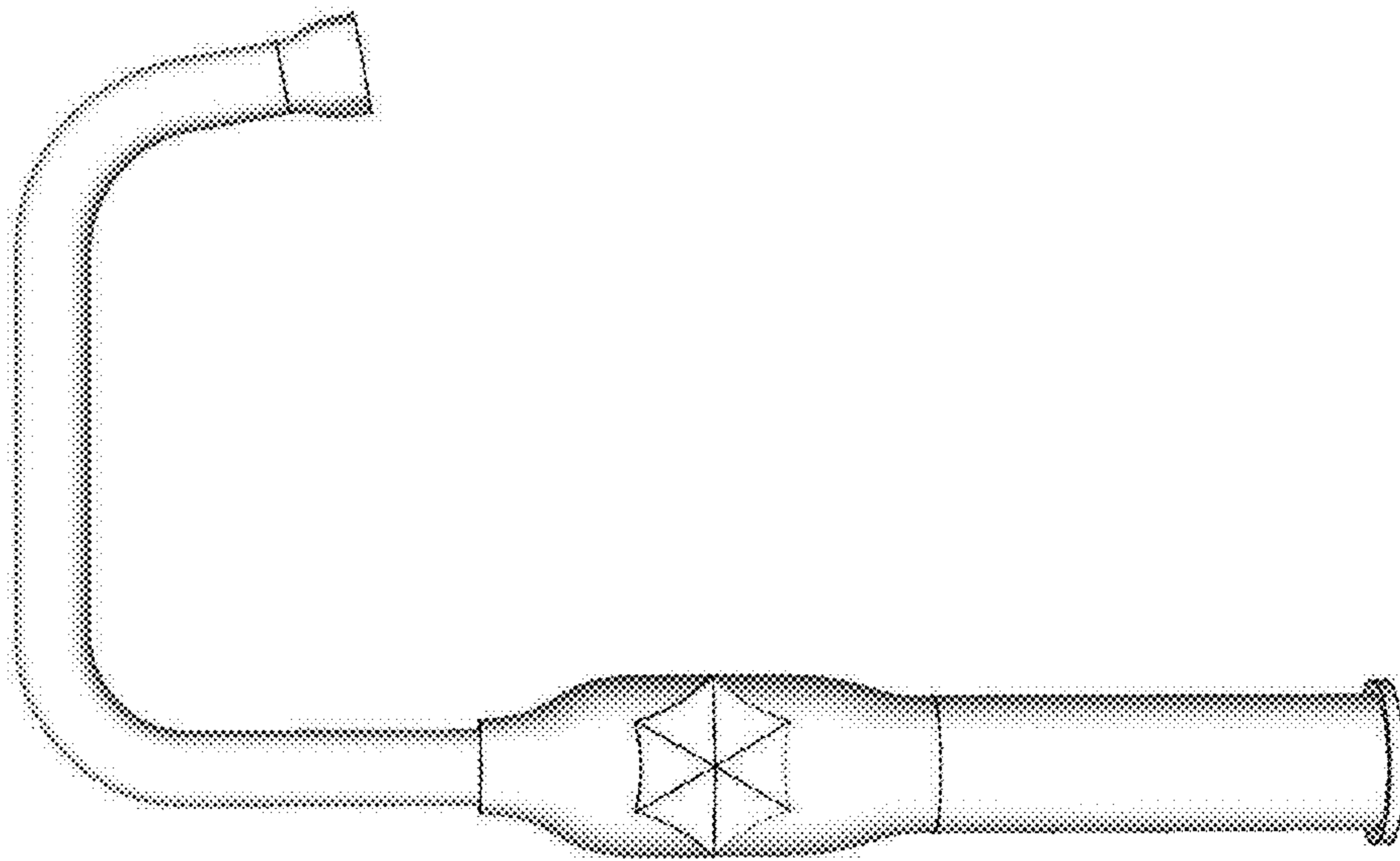


FIG. 3

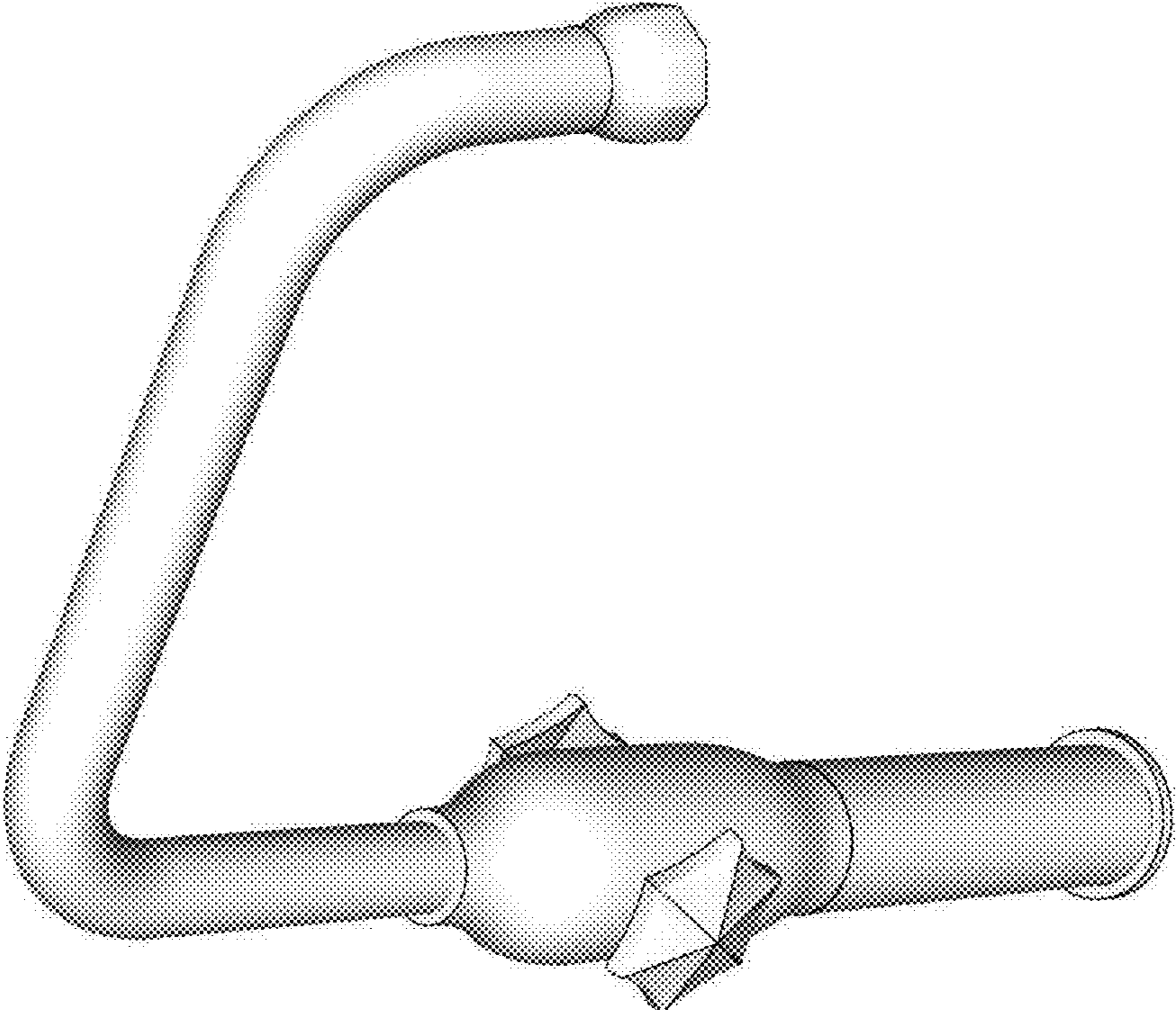


FIG. 4

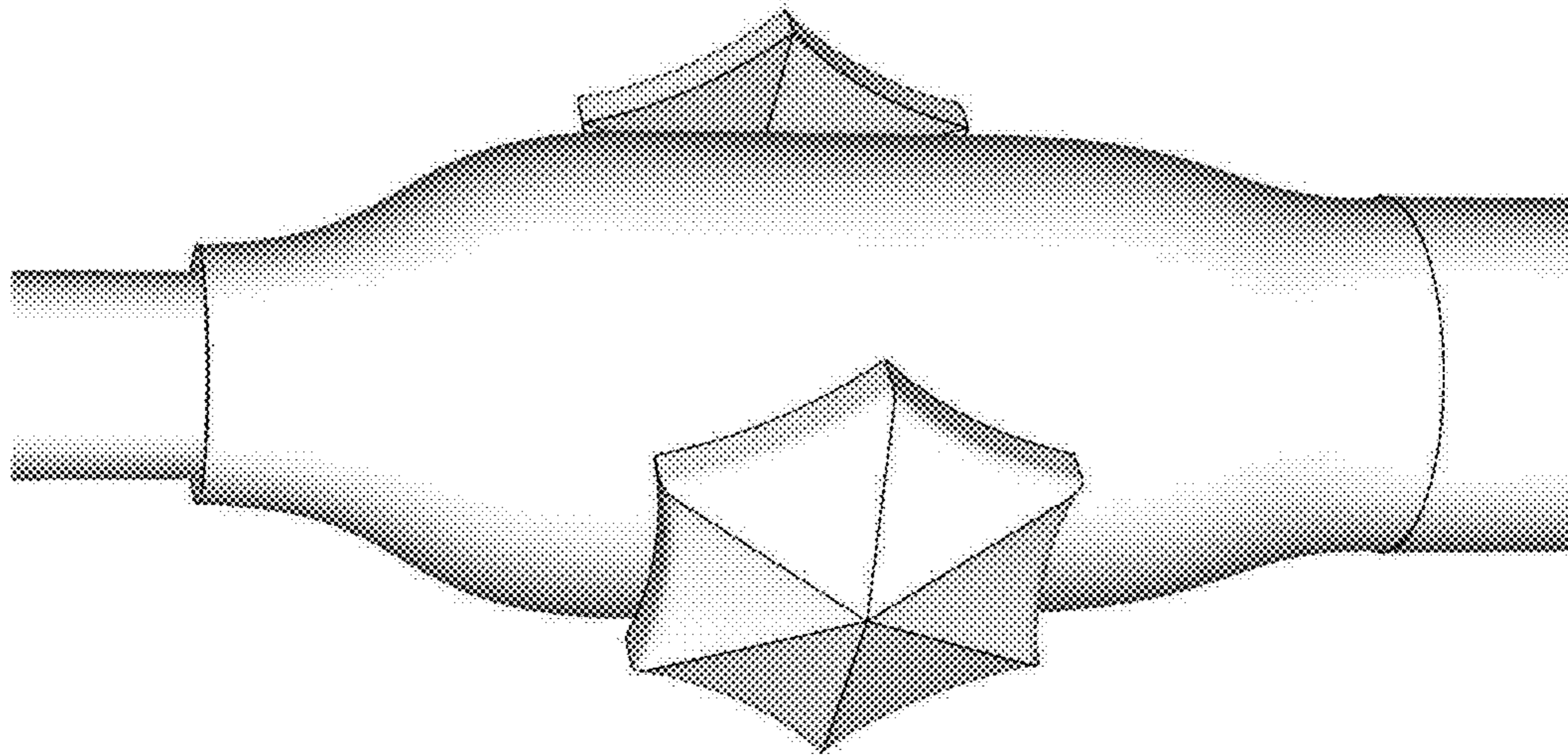


FIG. 5



FIG. 6