

US00D869610S

(12) **United States Design Patent**  
**Garland**

(10) **Patent No.:** **US D869,610 S**

(45) **Date of Patent:** **\*\* Dec. 10, 2019**

(54) **FAUCET**

(71) Applicant: **DELTA FAUCET COMPANY,**  
Indianapolis, IN (US)

(72) Inventor: **Celine Kwok Garland,** Zionsville, IN  
(US)

(73) Assignee: **DELTA FAUCET COMPANY,**  
Indianapolis, IN (US)

(\*\*) Term: **15 Years**

(21) Appl. No.: **29/638,482**

(22) Filed: **Feb. 27, 2018**

(51) **LOC (12) Cl.** ..... **23-01**

(52) **U.S. Cl.**  
USPC ..... **D23/238**

(58) **Field of Classification Search**  
USPC ..... D23/238–240, 241–245, 249, 250–254,  
D23/255, 257, 309; D8/300, 307, 308;  
D7/394, 622, 395, 545, 398

CPC ..... Y10T 137/9464  
See application file for complete search history.

(56) **References Cited**

**U.S. PATENT DOCUMENTS**

D329,586 S *	9/1992	Primeau	.....	D8/308
D462,747 S *	9/2002	Pavlovic	.....	D23/250
D492,389 S *	6/2004	Herbeau	.....	D23/238
D573,696 S *	7/2008	Eilmus	.....	D23/255
D583,025 S *	12/2008	Hanna	.....	D23/255
D583,908 S *	12/2008	Downey	.....	D23/238

D623,275 S *	9/2010	Rubin	.....	D23/238
D685,878 S *	7/2013	Fritz	.....	D23/238
D714,916 S *	10/2014	Flowers	.....	D23/255
D800,259 S *	10/2017	Fritz	.....	D23/238

**OTHER PUBLICATIONS**

Amazon, CREA Sink, posted May 25, 2017, [online], [visited Jan. 29, 2019]. Internet, <URL: [https://www.amazon.co.uk/Bathroom-CREA-Cloakroom-Lavatory-Stainless/dp/B072LXRSR2/ref=sr\\_1\\_17\\_sspa?ie=UTF8&qid=1548797754&sr=8-17-spons&keywords=swivel+faucet&psc=1](https://www.amazon.co.uk/Bathroom-CREA-Cloakroom-Lavatory-Stainless/dp/B072LXRSR2/ref=sr_1_17_sspa?ie=UTF8&qid=1548797754&sr=8-17-spons&keywords=swivel+faucet&psc=1)> (Year: 2017).\*

\* cited by examiner

*Primary Examiner* — Sheryl Lane

*Assistant Examiner* — Samantha N Wood

(74) *Attorney, Agent, or Firm* — Edgar A. Zarins; Nirav D. Parikh

(57) **CLAIM**

The ornamental design for a faucet, as shown and described.

**DESCRIPTION**

FIG. 1 is a first perspective view of a faucet showing my new design;

FIG. 2 is a second perspective view thereof;

FIG. 3 is a front elevational view thereof;

FIG. 4 is a left side view thereof;

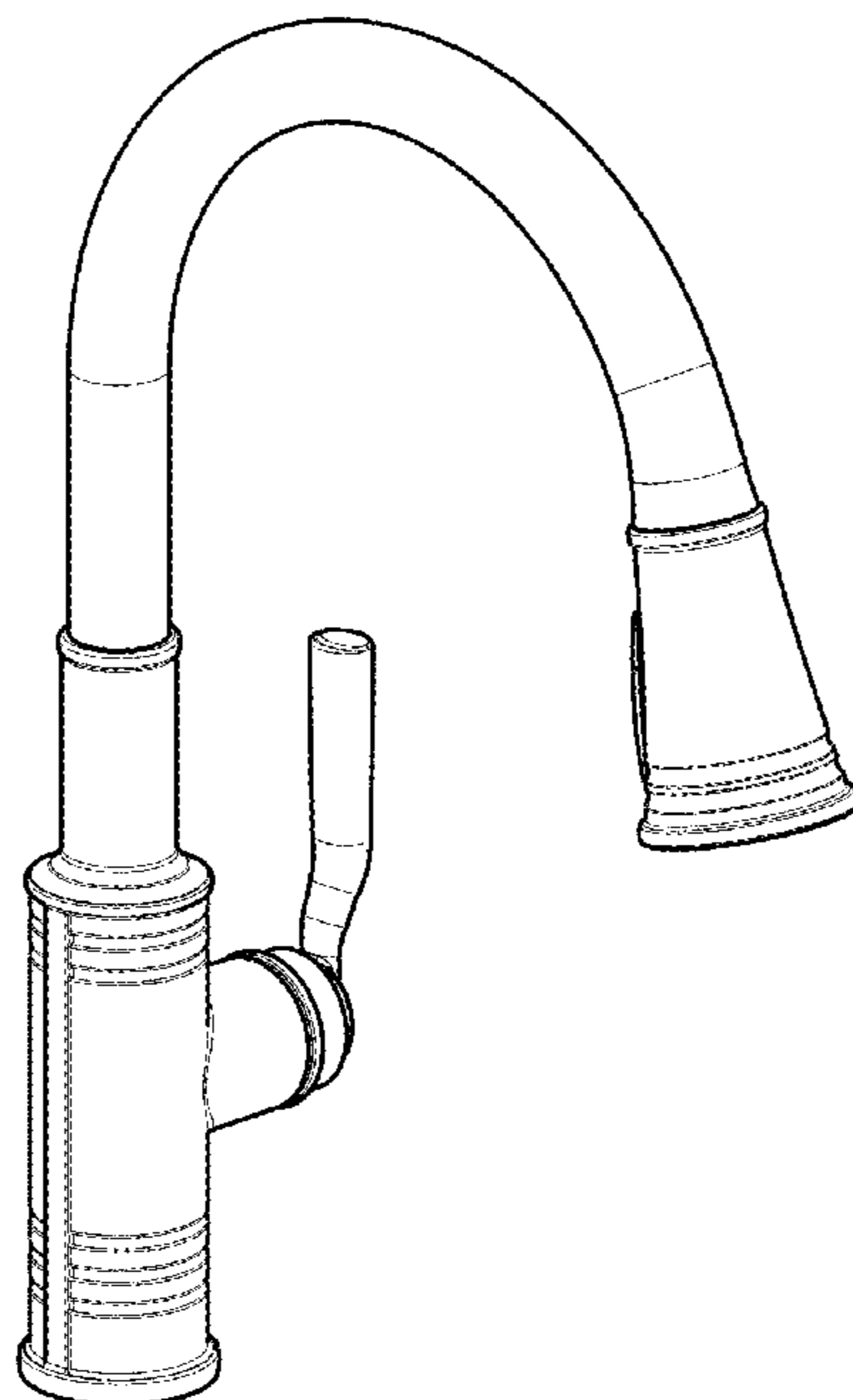
FIG. 5 is a rear view thereof;

FIG. 6 is a right side view thereof;

FIG. 7 is a top plan view thereof; and,

FIG. 8 is a bottom view thereof.

**1 Claim, 4 Drawing Sheets**



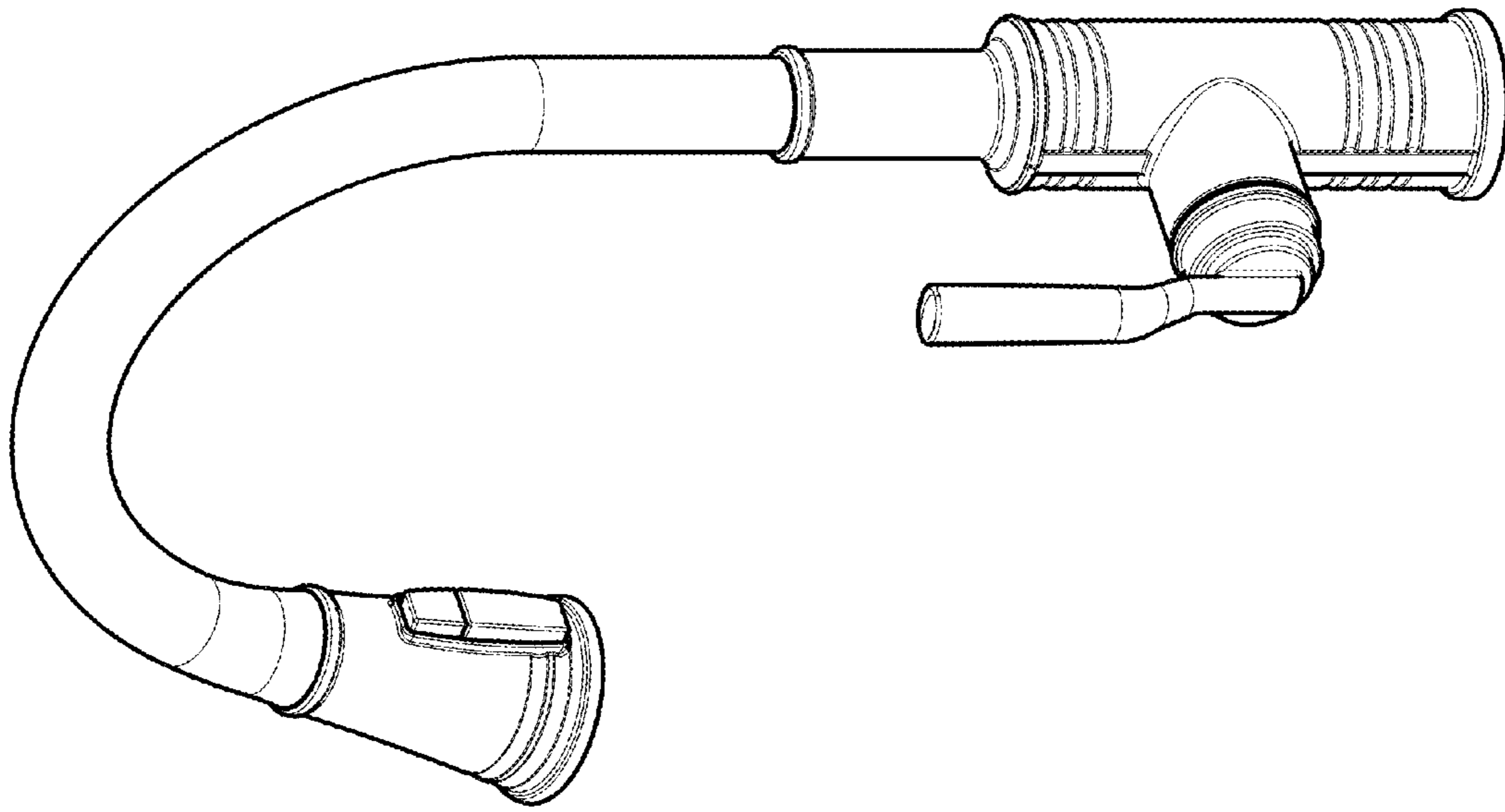


FIG - 2

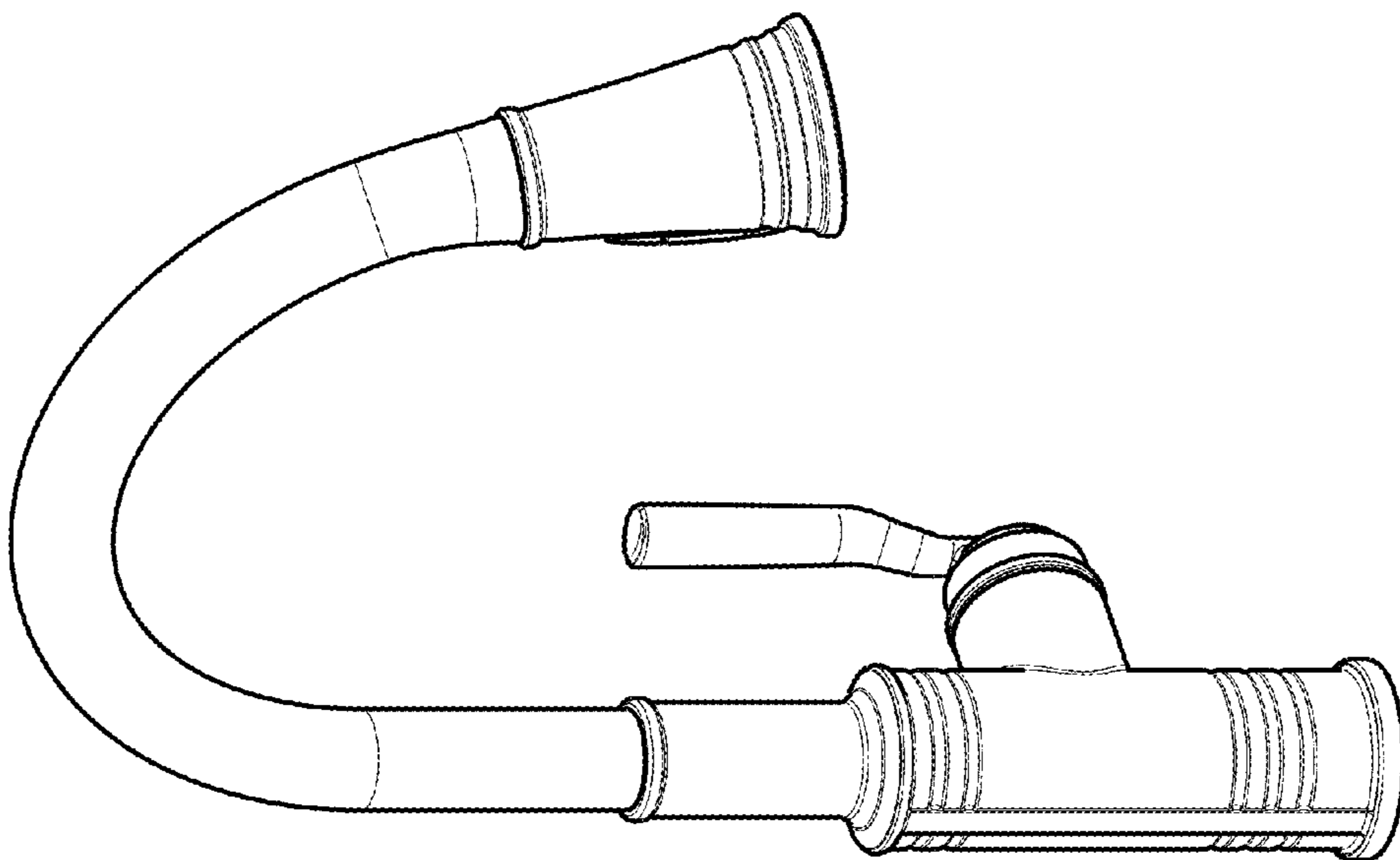


FIG - 1

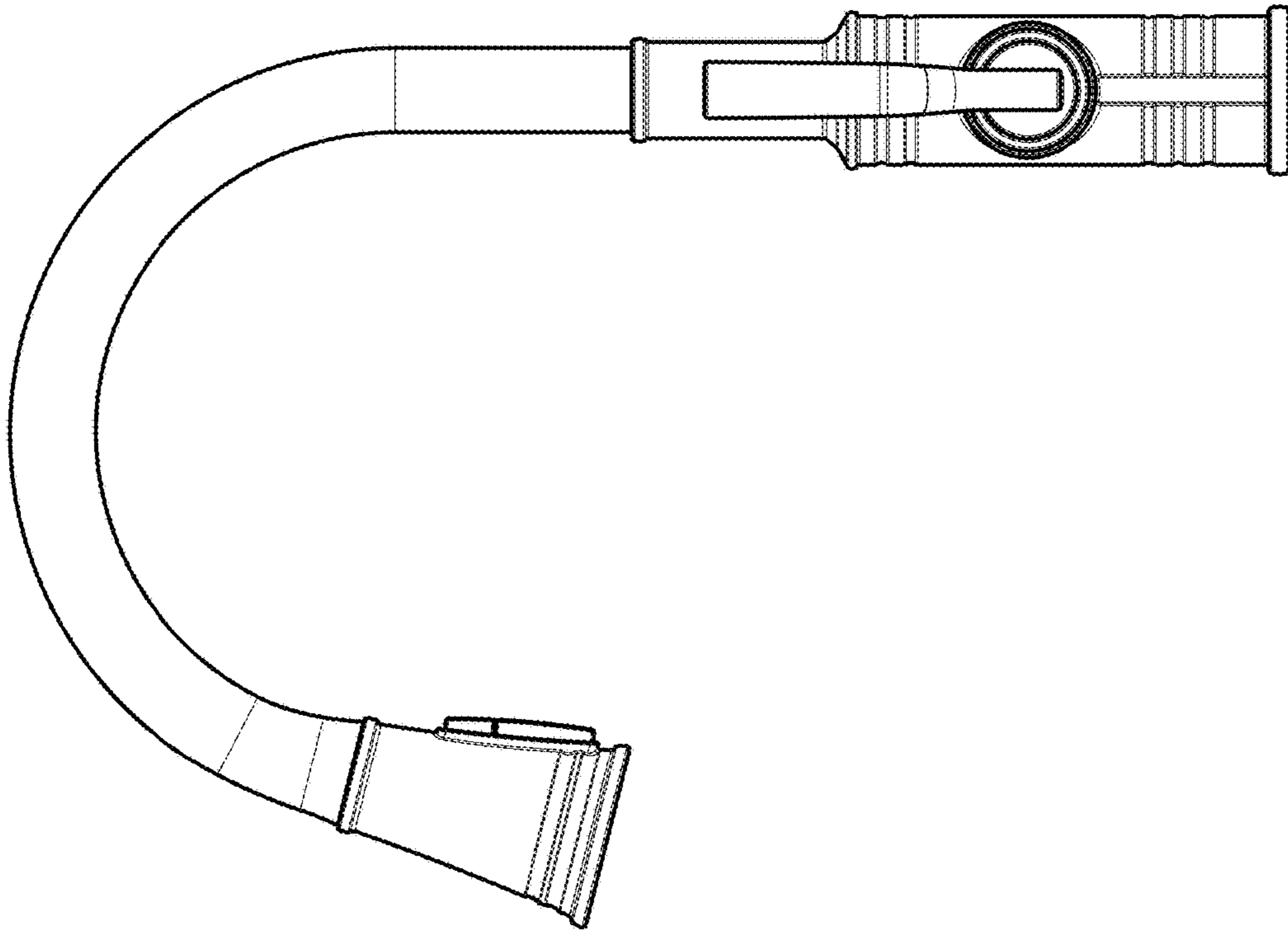


FIG - 4

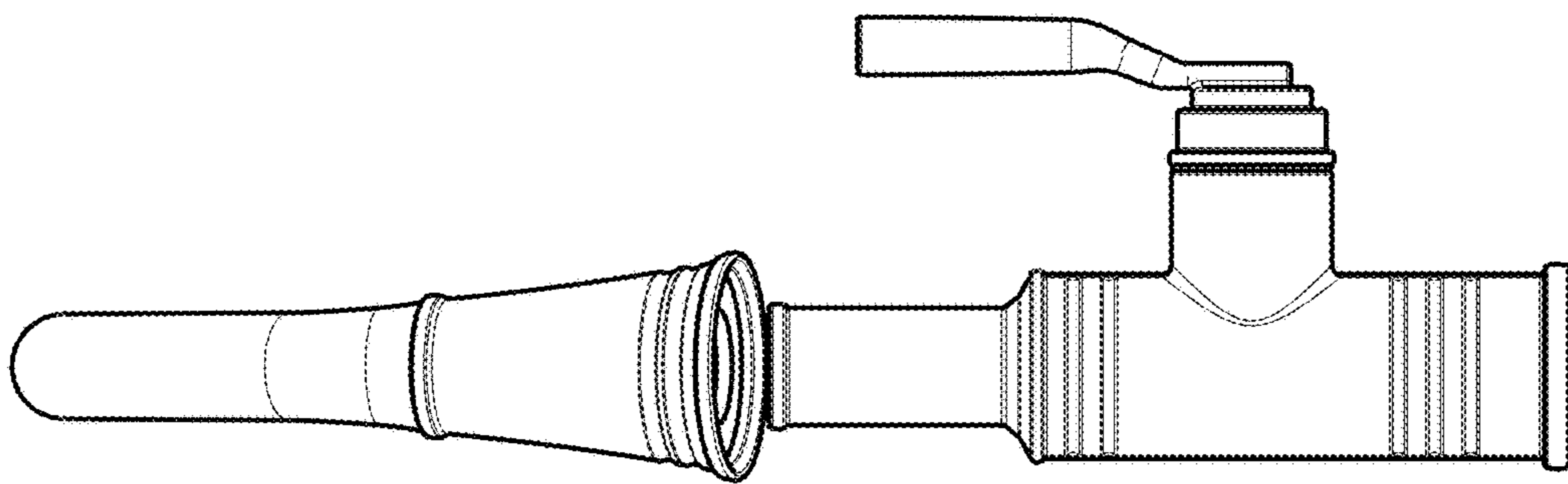


FIG - 3

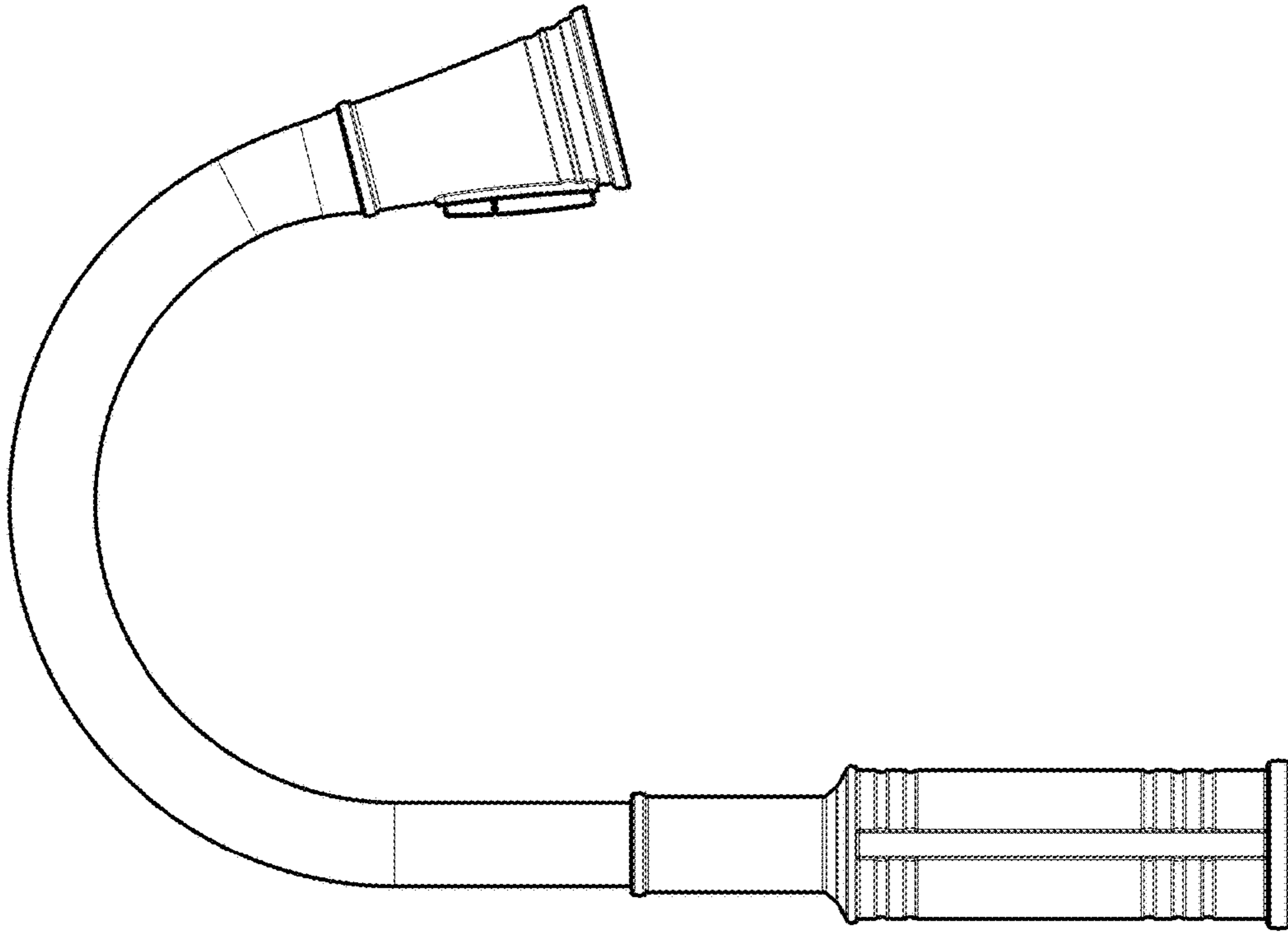


FIG. - 6

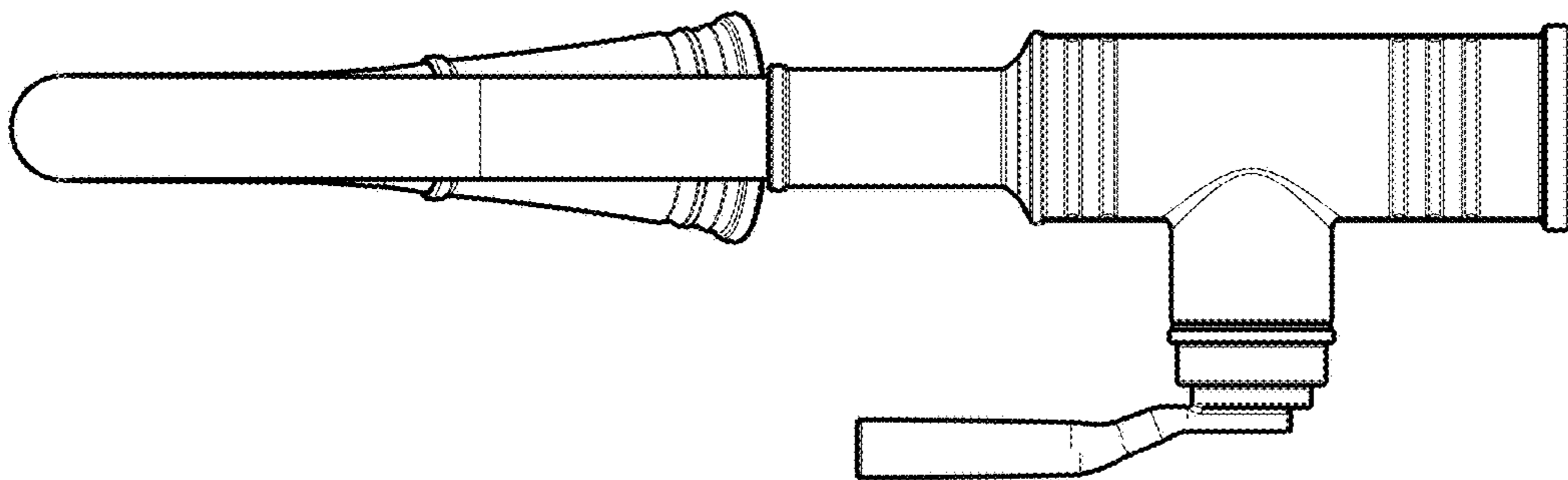


FIG. - 5

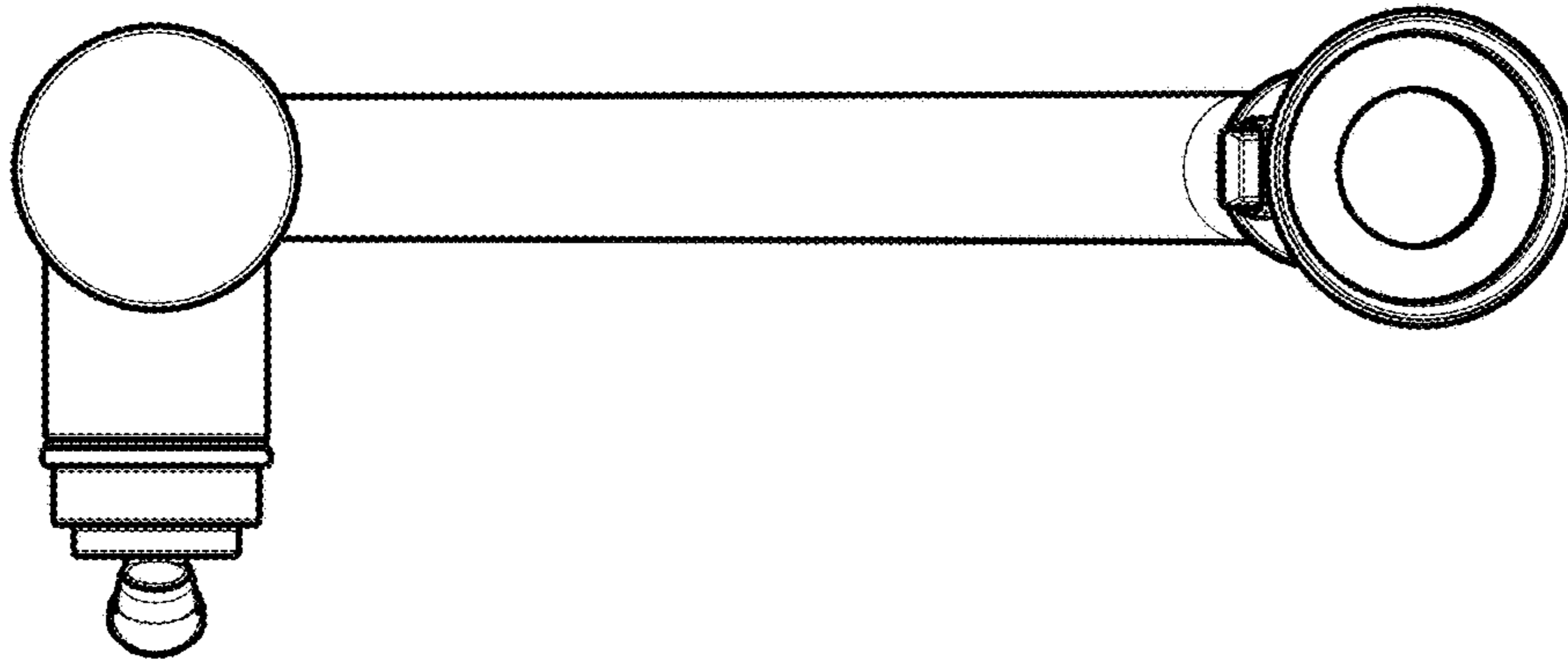


FIG - 8

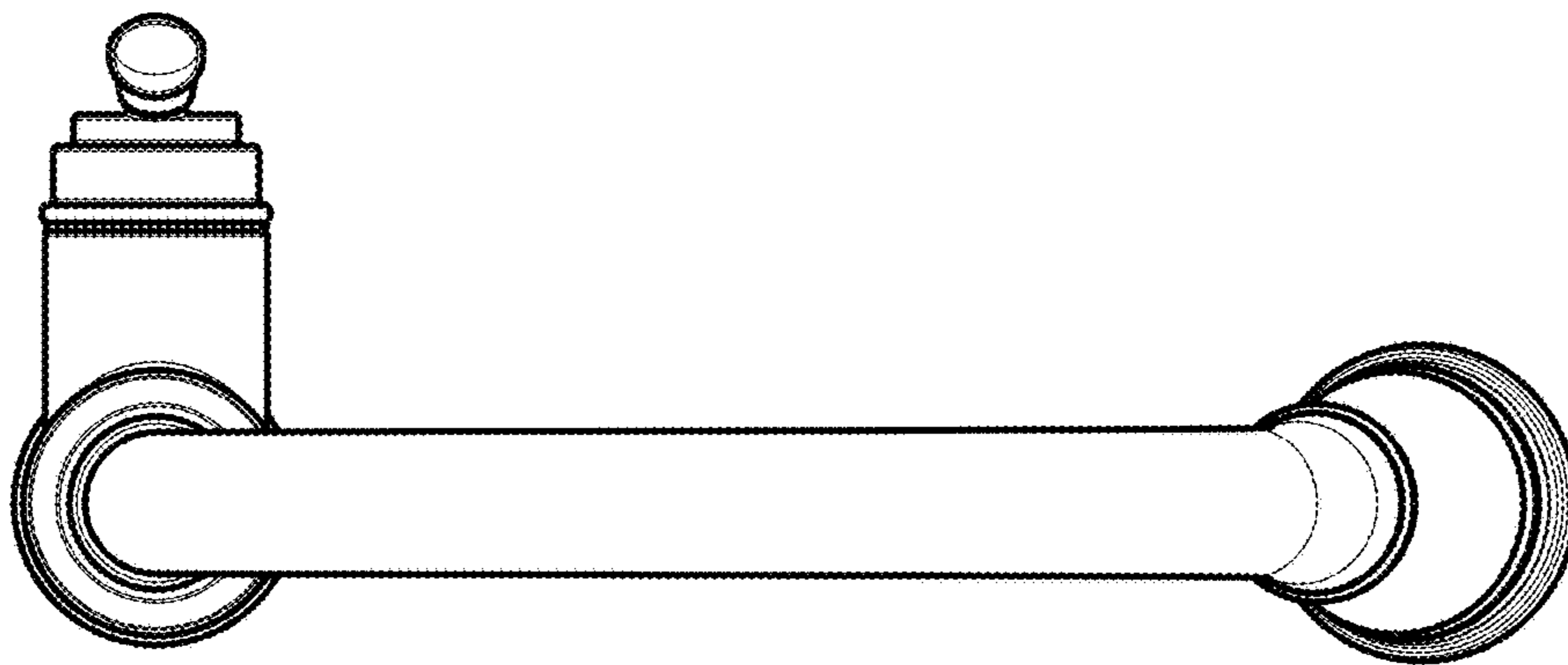


FIG - 7