

US00D869609S

(12) **United States Design Patent** (10) **Patent No.:** **US D869,609 S**
Loiti Urquia et al. (45) **Date of Patent:** **** Dec. 10, 2019**

- (54) **PART OF SPRAYERS** D347,047 S 5/1994 Wood
- (71) Applicant: **GOIZPER, S. COOP**, Antzuola D516,167 S 2/2006 Leer
- (Gipuzkoa) (ES) D516,168 S * 2/2006 Leer D23/225
- (72) Inventors: **Mikel Loiti Urquia**, Arrasate (ES); D529,129 S 9/2006 Leer
- Amaia Echenagusia Fadrique**, D542,373 S 5/2007 Cooper
- Azpeitia** (ES) 7,260,955 B1 * 8/2007 Uranga B05B 9/0816
- (73) Assignee: **GOIZPER, S. COOP.**, Antzuola 62/244
- (Gipuzkoa) (ES) D614,263 S * 4/2010 Hudson D23/225
- (**) Term: **15 Years** D616,959 S 6/2010 Wu
- (21) Appl. No.: **29/649,354** D630,708 S 1/2011 Blenkush
- (22) Filed: **May 29, 2018** D633,176 S 2/2011 Blenkush
- (30) **Foreign Application Priority Data** D639,388 S * 6/2011 Plantz D23/225
- Mar. 14, 2018 (EM) 004755262 D639,389 S 6/2011 Plantz
- (51) **LOC (12) Cl.** **23-01** 7,971,803 B1 7/2011 Barlowe
- (52) **U.S. Cl.** **D23/225; D23/202** D643,092 S 8/2011 Bandawat
- (58) **Field of Classification Search** D647,999 S * 11/2011 Hudson D23/225
- USPC D23/202, 213, 225 D649,624 S * 11/2011 Hudson D23/225
- CPC B05B 9/08; B05B 9/0816; B05B 7/2443; D650,046 S 12/2011 Goodwin
- B05B 7/2408; B05B 7/2421 D651,691 S 1/2012 Meutzel
- See application file for complete search history. 8,205,808 B2 * 6/2012 Leer B05B 9/0816
- (56) **References Cited** 222/401
- U.S. PATENT DOCUMENTS
- 2,951,644 A 9/1960 Mahon
- D271,790 S 12/1983 Aldrich
- D288,586 S * 3/1987 Moskalik D23/225
- D311,571 S 10/1990 Ballu
- D312,297 S * 11/1990 Ballu D23/225
- 5,072,884 A * 12/1991 Ellison A01M 7/0085
- 215/365
- D327,528 S * 6/1992 Sears D23/225

(Continued)

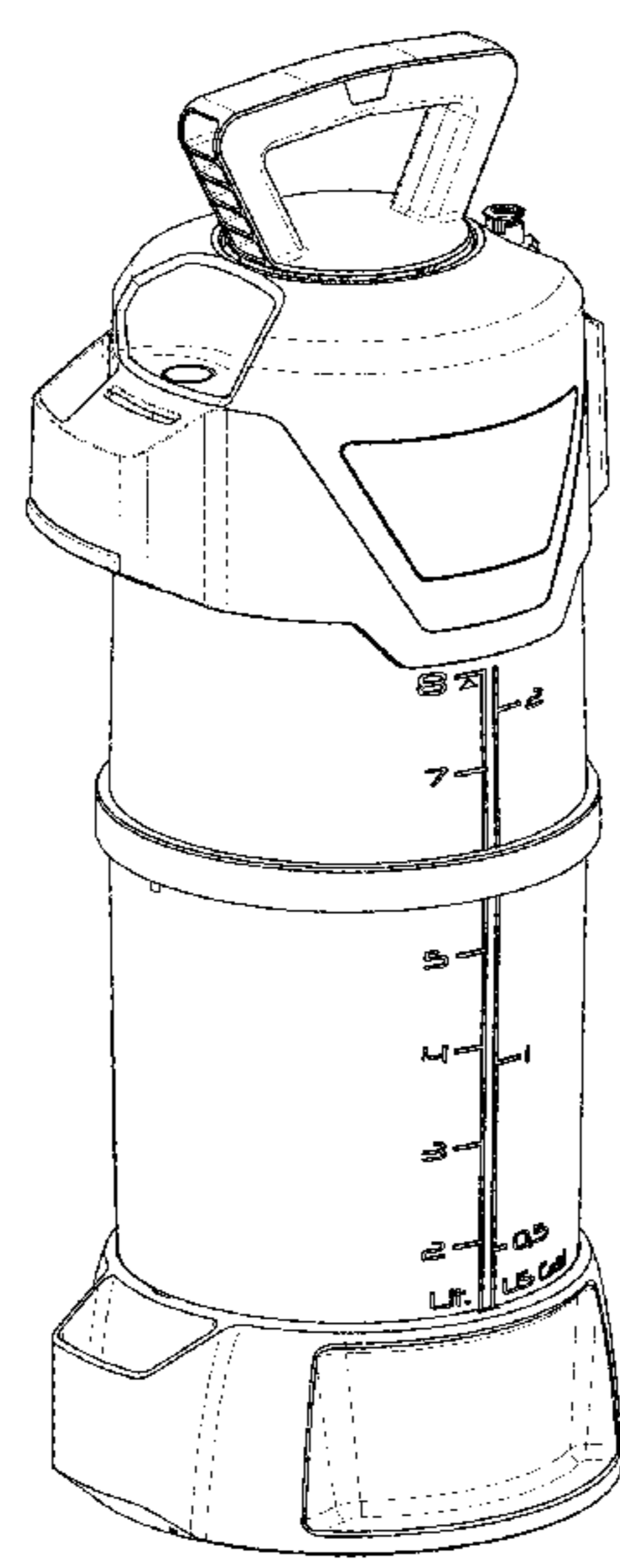
Primary Examiner — Manpreet S Matharu
Assistant Examiner — Keith J Wilson
(74) *Attorney, Agent, or Firm* — Knobbe, Martens, Olson & Bear, LLP

(57) **CLAIM**
The ornamental design for a part of sprayers, as shown.

DESCRIPTION

FIG. 1 is a top-front-right-side perspective view of a part of sprayers, showing our new design;
FIG. 2 is a front elevational view thereof;
FIG. 3 is a rear elevational view thereof;
FIG. 4 is a left side elevational view thereof;
FIG. 5 is a right side elevational view thereof;
FIG. 6 is a top plan view thereof;
FIG. 7 is a bottom plan view thereof; and,
FIG. 8 is a bottom-rear-left-side perspective view thereof.

1 Claim, 8 Drawing Sheets



(56)

References Cited

U.S. PATENT DOCUMENTS

D664,236	S	7/2012	Hudson	
D670,787	S	11/2012	Kang	
D670,788	S *	11/2012	Plantz	D23/225
D673,645	S *	1/2013	Delorme	D23/202
D698,889	S *	2/2014	Zabalo Ondarra	D23/202
8,672,364	B2 *	3/2014	Schrum	B05B 9/0406 285/33
8,757,446	B1 *	6/2014	Liu	B65D 83/42 222/153.04
D713,499	S	9/2014	Voelker	
D719,639	S	12/2014	Pagliai	
D721,161	S	1/2015	Yam	
D731,027	S *	6/2015	Sanz Perez	D23/225
D739,260	S	9/2015	Isaacs	
D743,505	S *	11/2015	Clarey	D23/225
D749,698	S *	2/2016	Pereira Dos Reis	D23/225
D749,699	S *	2/2016	Nicolia	D23/202
D751,670	S *	3/2016	Loiti Urquia	D23/225
D800,253	S *	10/2017	Oyarbide	D23/225
D815,713	S *	4/2018	Ip	D23/202
D822,161	S *	7/2018	Bonaventura	D23/225
2003/0019954	A1 *	1/2003	Clarke	B05B 9/0816 239/333
2009/0008476	A1	1/2009	Bonet Villoria	
2010/0123026	A1 *	5/2010	Leer	B05B 9/0816 239/333
2010/0327079	A1 *	12/2010	Wu	A01M 7/0046 239/288
2014/0034685	A1 *	2/2014	Meyers	B05B 11/30 222/401
2017/0106385	A1 *	4/2017	Schrum	B05B 9/043

* cited by examiner

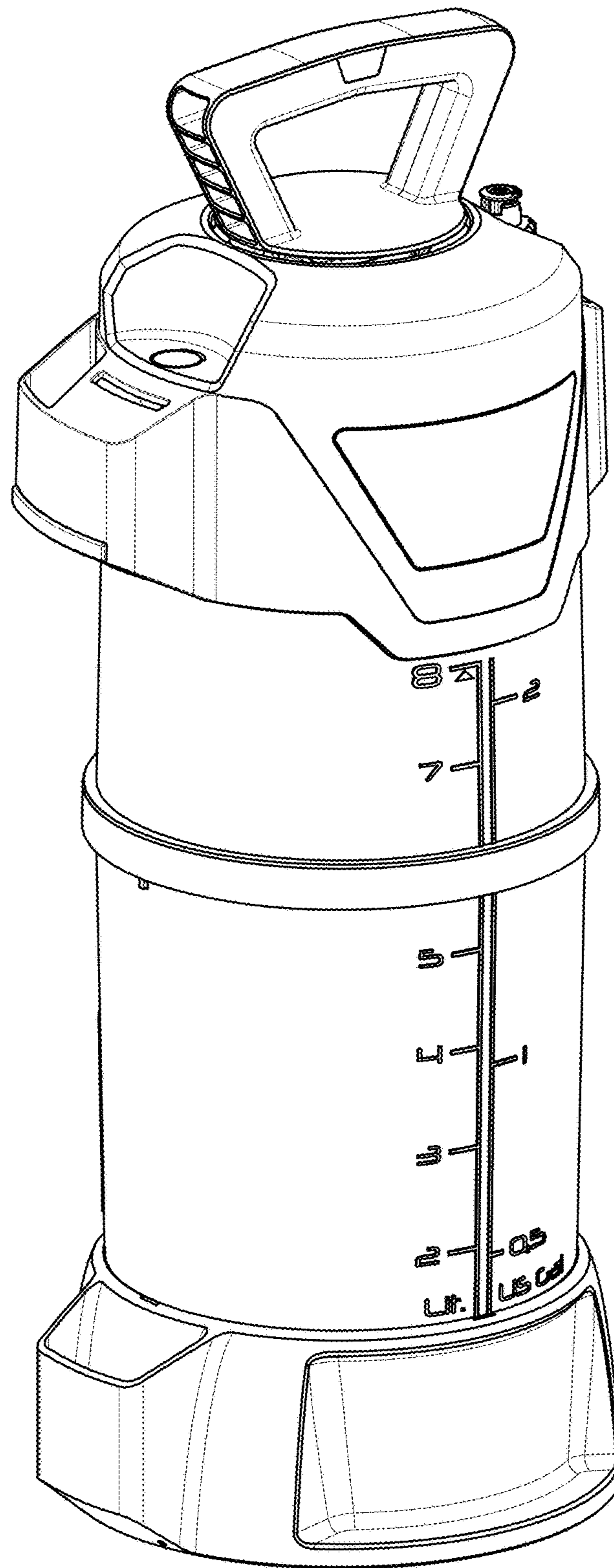


FIG. 1

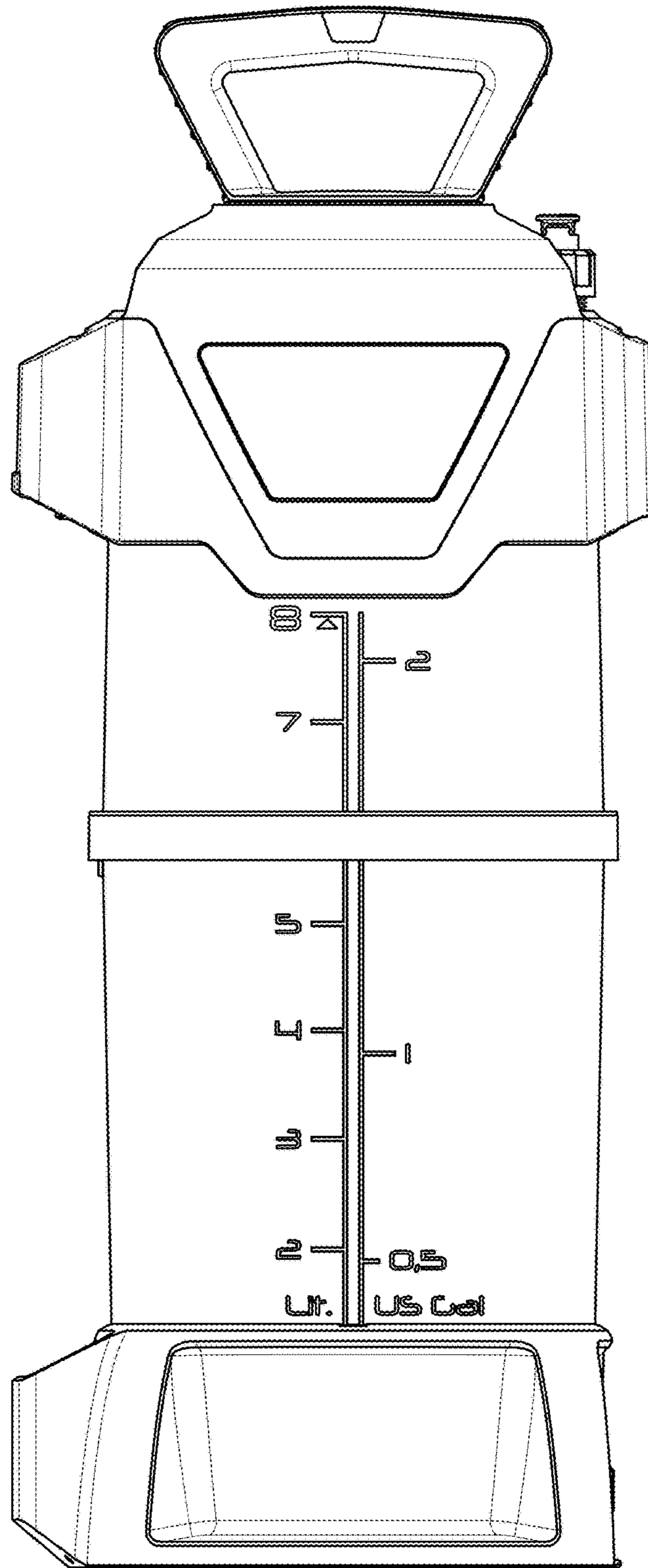


FIG. 2

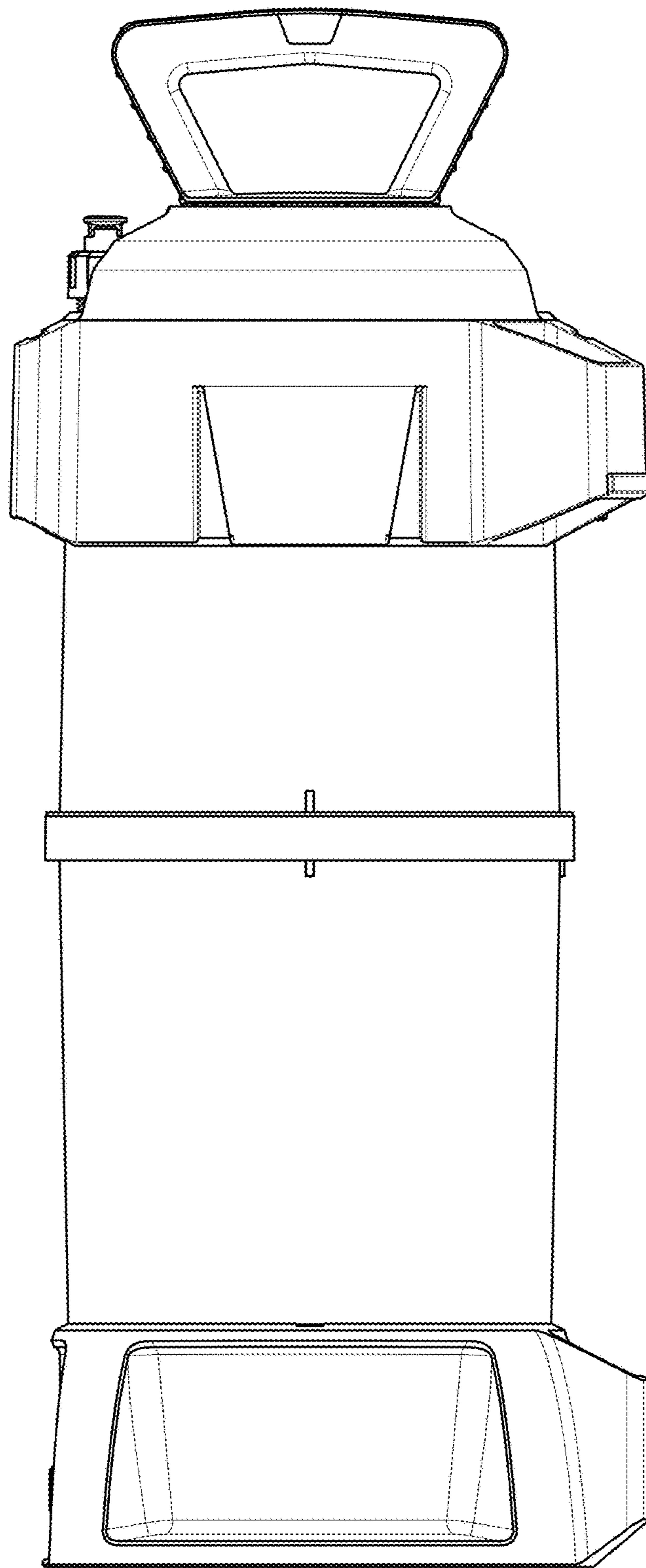


FIG. 3

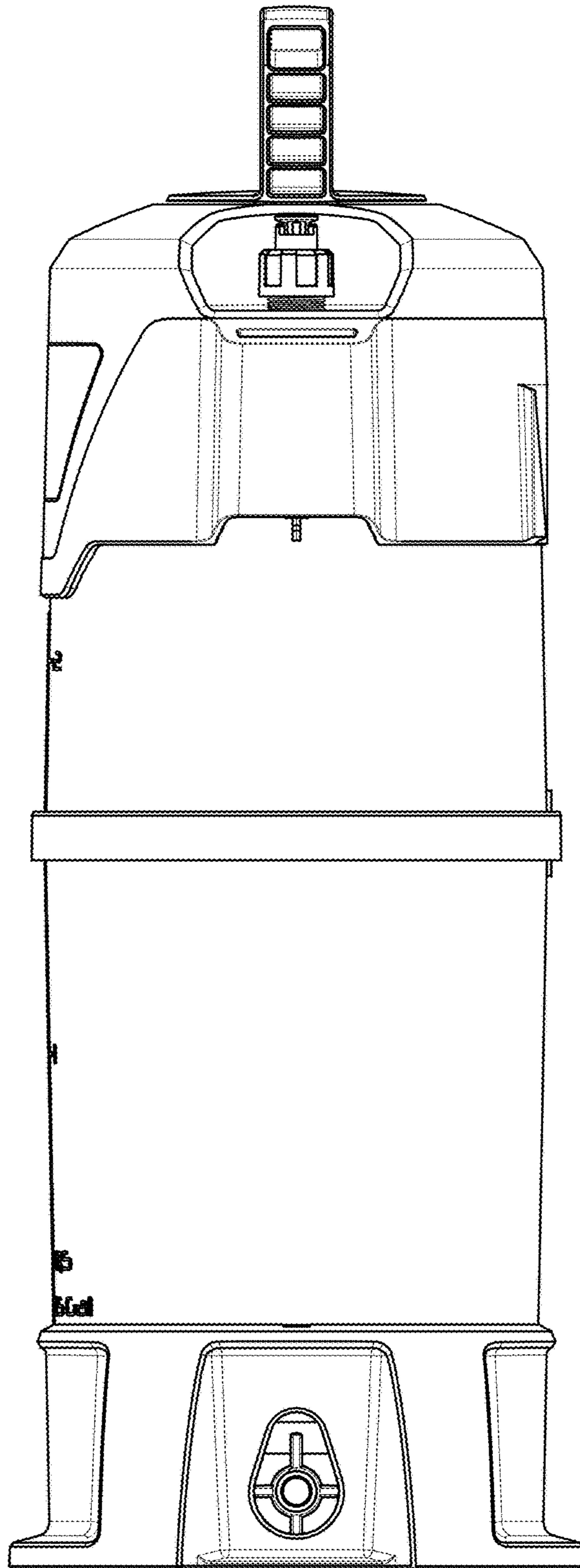


FIG. 4

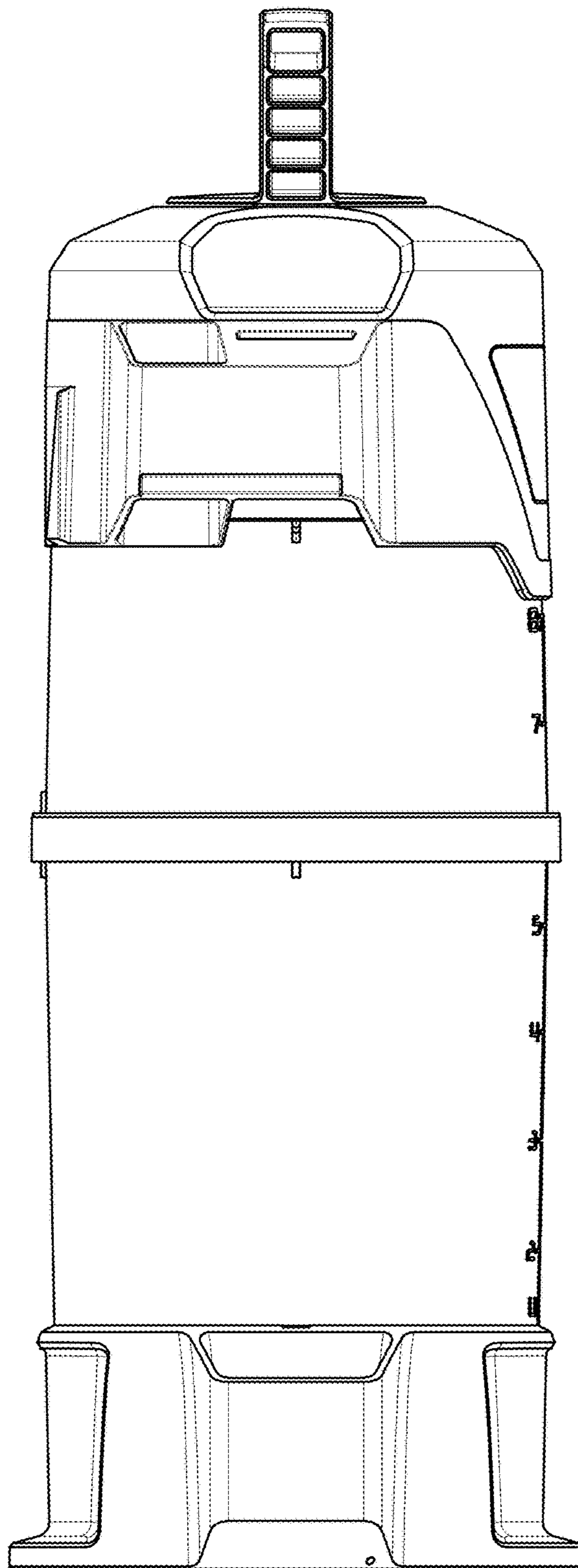


FIG. 5

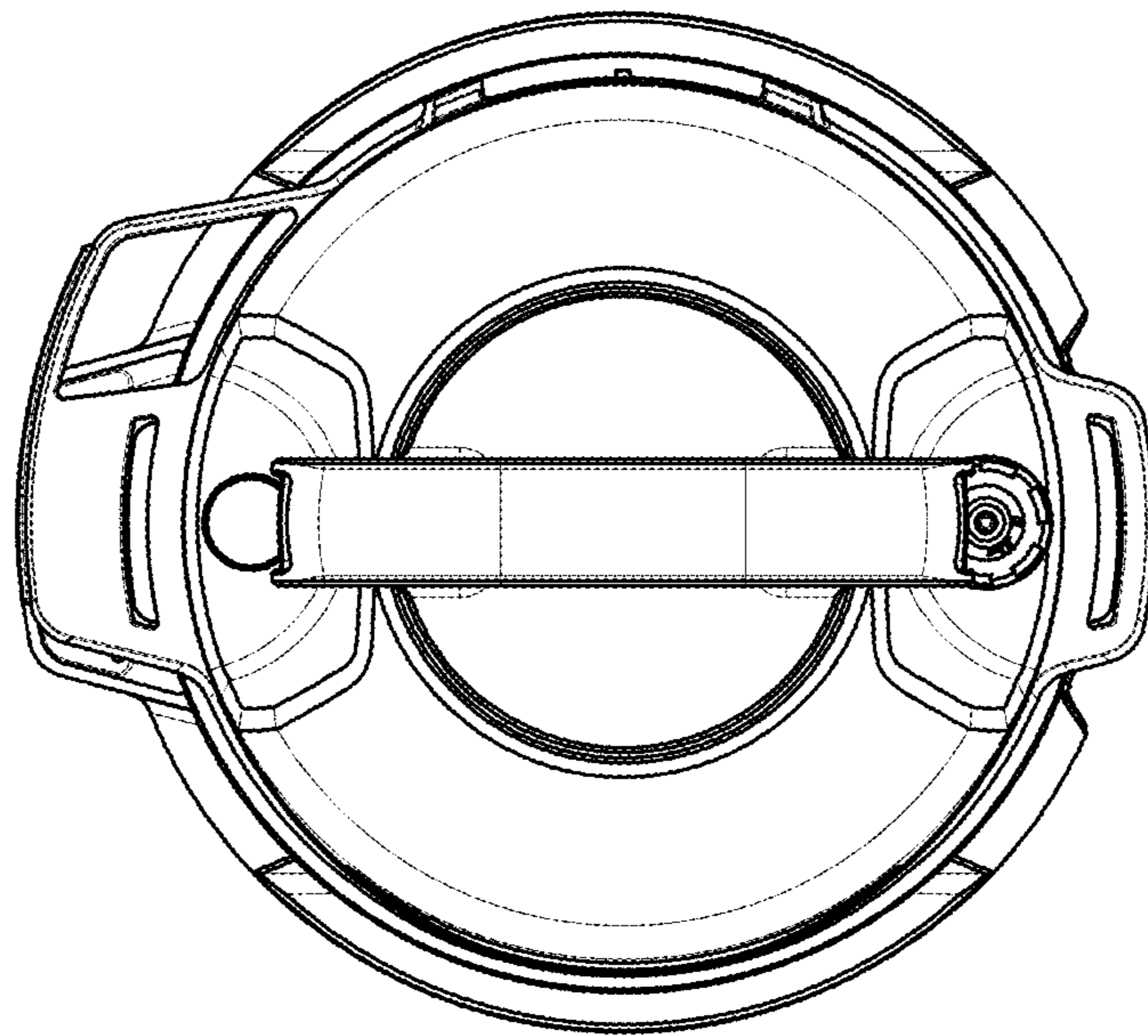


FIG. 6

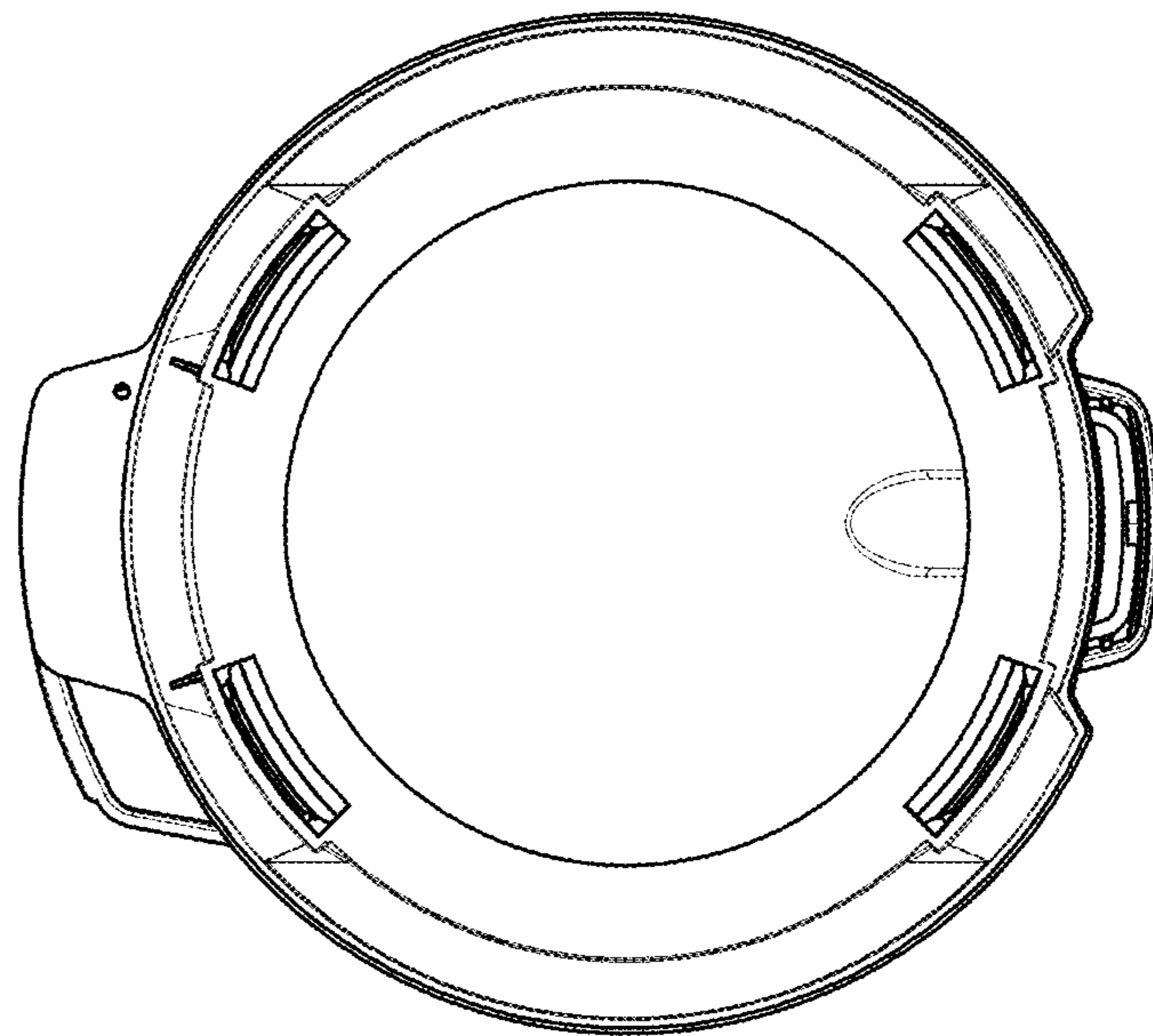


FIG. 7

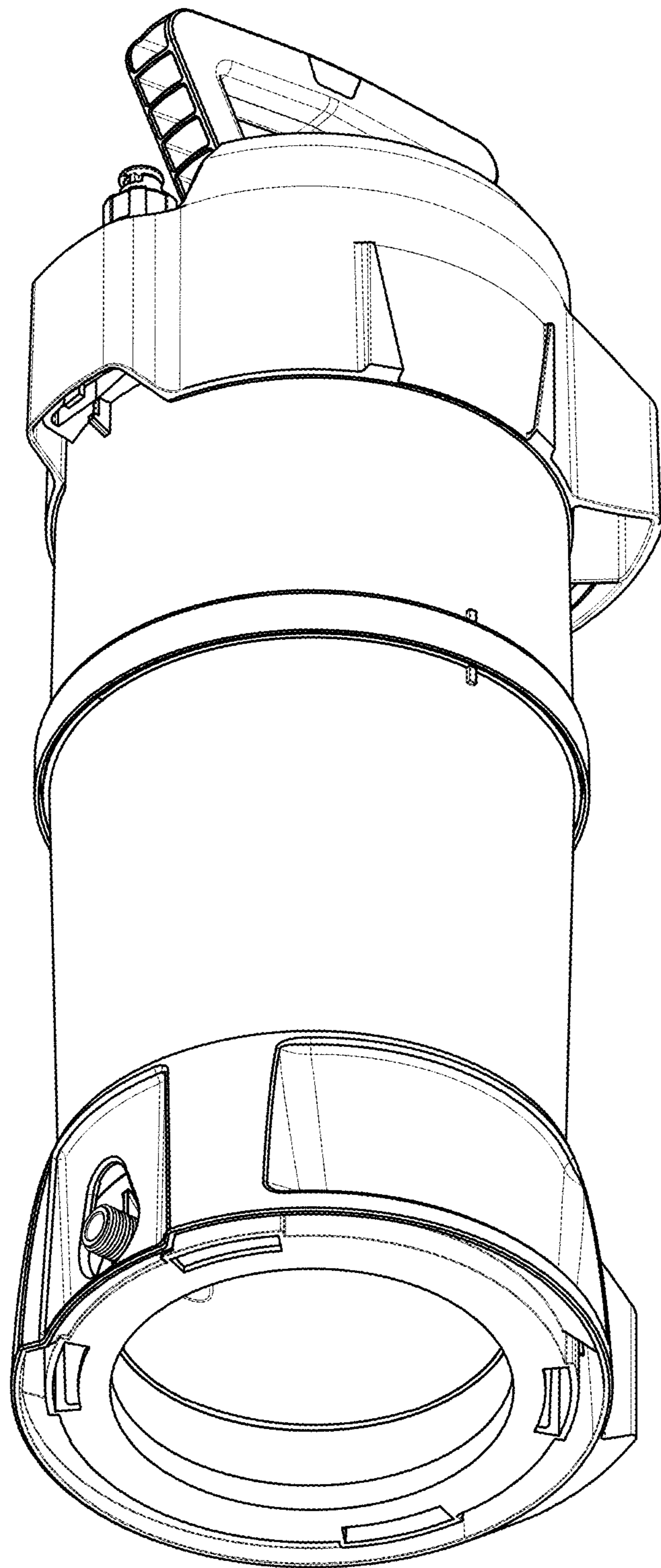


FIG. 8