

US00D869608S

(12) **United States Design Patent** (10) **Patent No.:** **US D869,608 S**  
**Seum et al.** (45) **Date of Patent:** **\*\* Dec. 10, 2019**

(54) **HANDSHOWER**

(71) Applicant: **Grohe AG**, Hemer (DE)

(72) Inventors: **Michael Seum**, Duesseldorf (DE);  
**Patrick de Arins Speck**, Curitiba (BR)

(73) Assignee: **Grohe AG**, Hemer (DE)

(\*\*) Term: **15 Years**

(21) Appl. No.: **29/657,618**

(22) Filed: **Jul. 24, 2018**

(30) **Foreign Application Priority Data**

Jan. 24, 2018 (EM) ..... 004678662-0002

(51) **LOC (12) Cl.** ..... **23-01**

(52) **U.S. Cl.**  
USPC ..... **D23/223**

(58) **Field of Classification Search**  
USPC ..... D23/213, 214, 221, 222, 223, 226, 227,  
D23/229, 230, 364, 366; D8/8; D9/521,  
D9/529, 687; D12/400; D15/139;  
D32/41, 42, 49; D4/118  
CPC ..... A62C 31/02; A62C 31/03; B05B 1/304;  
B05B 1/308; B65D 47/247; B65D 47/24;  
B65D 47/32; B65D 47/06  
See application file for complete search history.

(56) **References Cited**

**U.S. PATENT DOCUMENTS**

D538,391 S \* 3/2007 Mazzola ..... D23/213  
D559,945 S \* 1/2008 Patterson ..... D23/213

D590,916 S \* 4/2009 Schoenherr ..... D23/223  
D590,917 S \* 4/2009 Schoenherr ..... D23/223  
D655,387 S \* 3/2012 Schoenherr ..... D23/223  
D655,783 S \* 3/2012 Schoenherr ..... D23/223  
D713,004 S \* 9/2014 Schoenherr ..... D23/223  
D713,496 S \* 9/2014 Schoenherr ..... D23/213  
D713,498 S \* 9/2014 Schoenherr ..... D23/223  
D724,180 S \* 3/2015 Lin ..... D23/213  
D847,302 S \* 4/2019 Cocks ..... D23/223

\* cited by examiner

*Primary Examiner* — Lakiya G Rogers

*Assistant Examiner* — John A Voytek

(74) *Attorney, Agent, or Firm* — Muncy, Geissler, Olds & Lowe, P.C.

(57) **CLAIM**

The ornamental design for a handshower, as shown and described.

**DESCRIPTION**

FIG. 1 is a front perspective view of a handshower according to the present invention.

FIG. 2 is a front view of the handshower of FIG. 1.

FIG. 3 is a rear view of the handshower of FIG. 1.

FIG. 4 is a left side view of the handshower of FIG. 1.

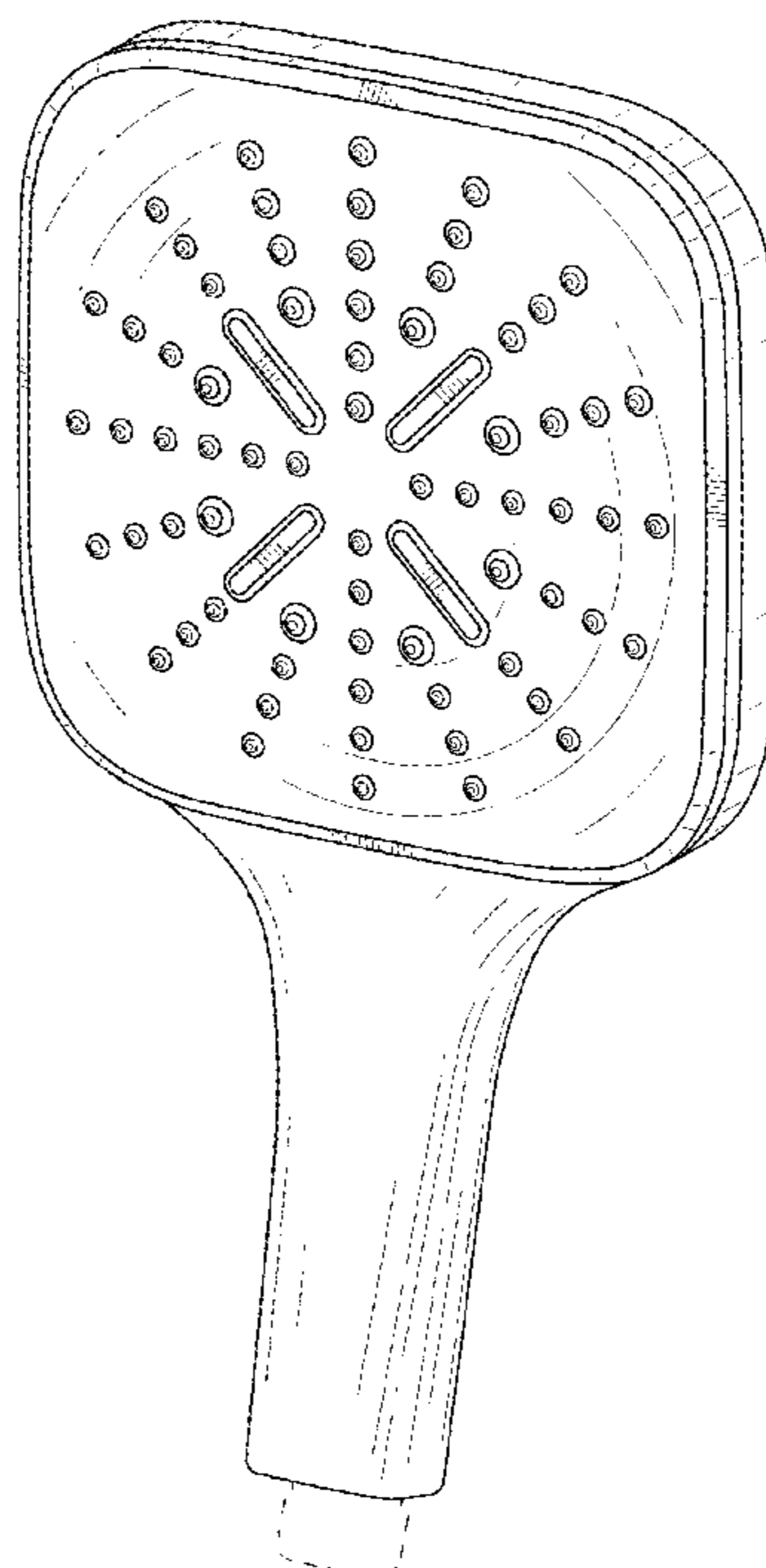
FIG. 5 is a right side view of the handshower of FIG. 1.

FIG. 6 is a top view of the handshower of FIG. 1; and,

FIG. 7 is a bottom view of the handshower of FIG. 1.

The dashed lines illustrate environment that does not form a part of the present invention, and no claim is made to the material illustrated with dashed lines.

**1 Claim, 7 Drawing Sheets**



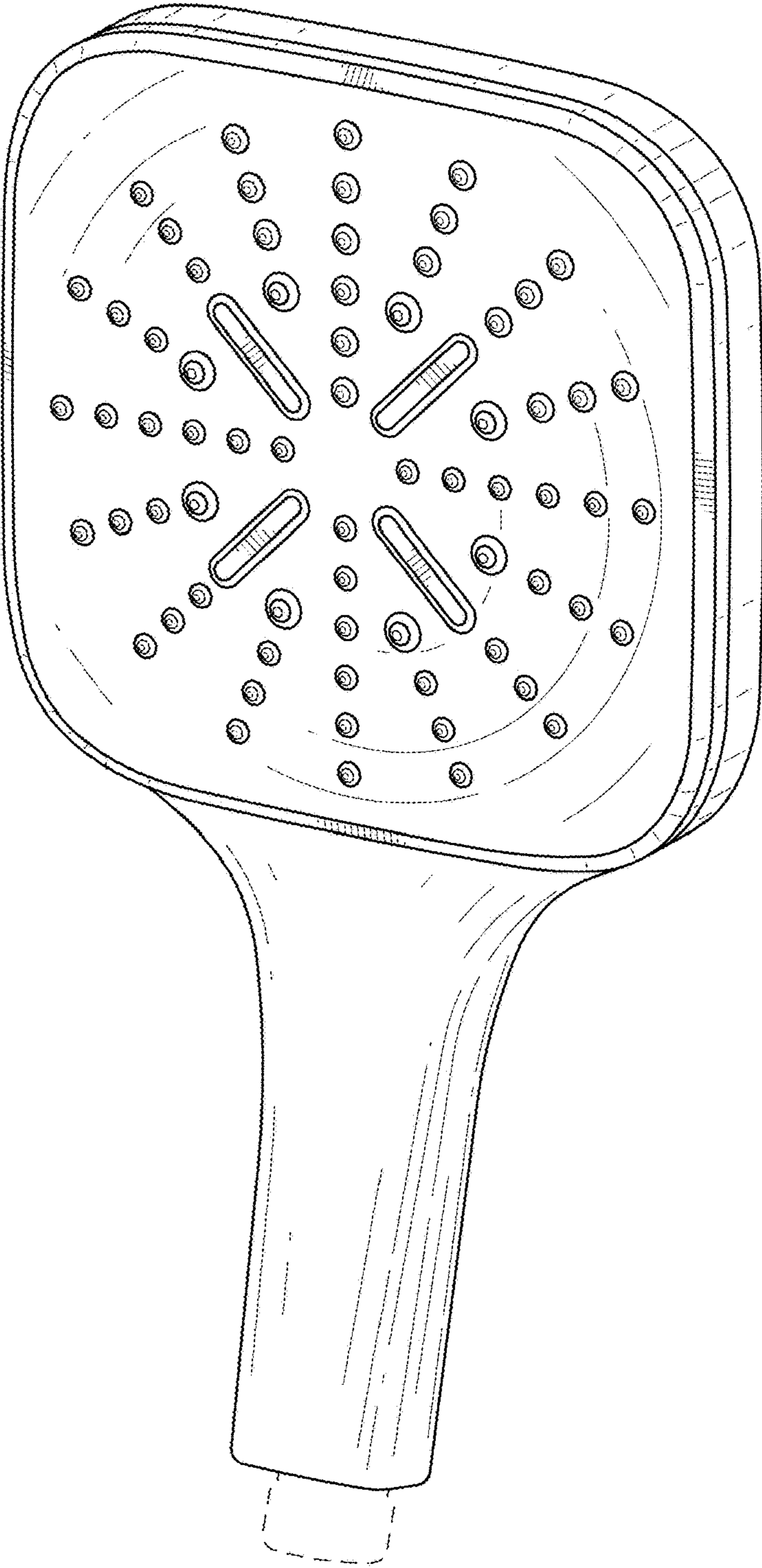


FIG.1

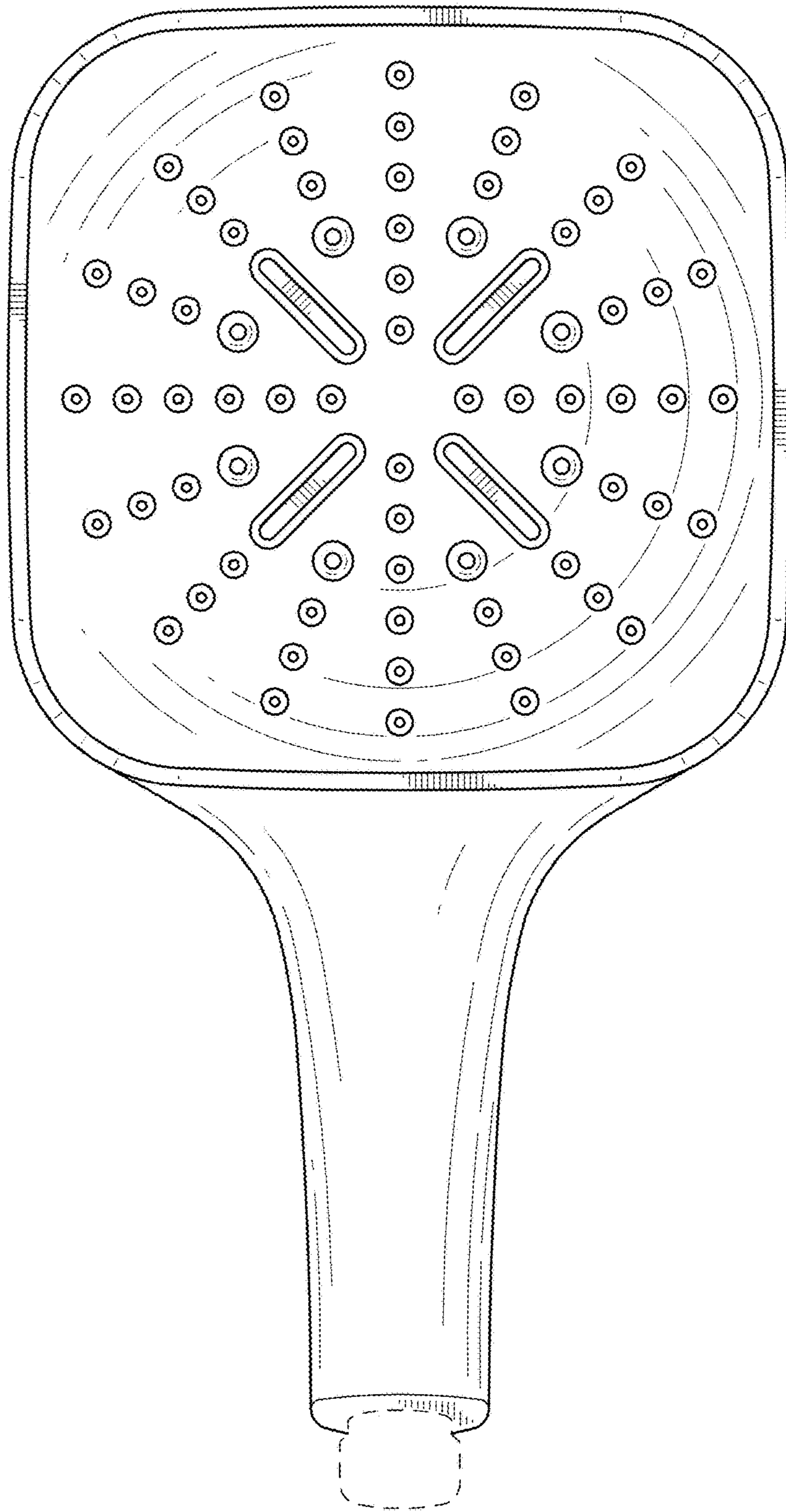


FIG.2

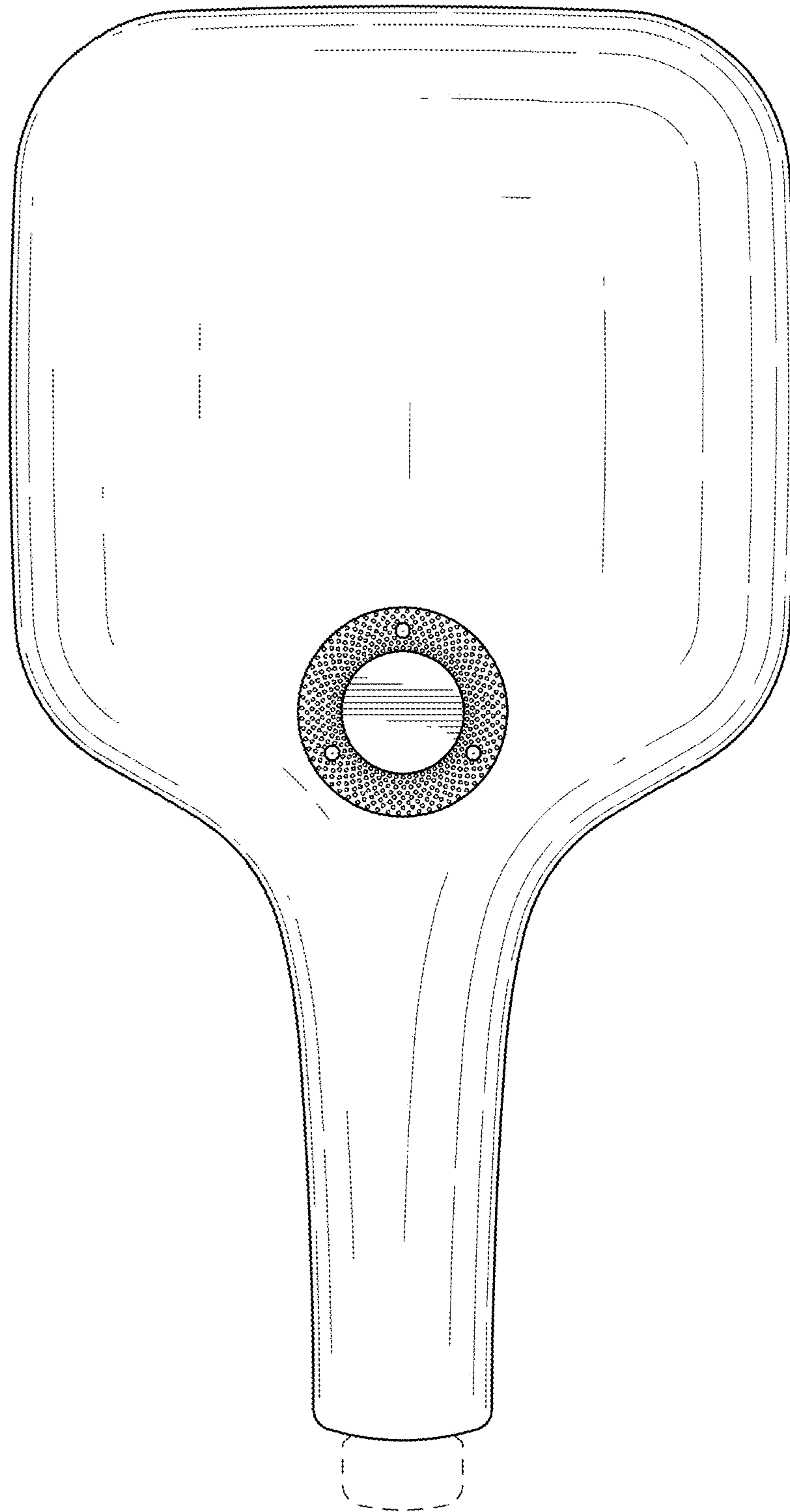


FIG.3

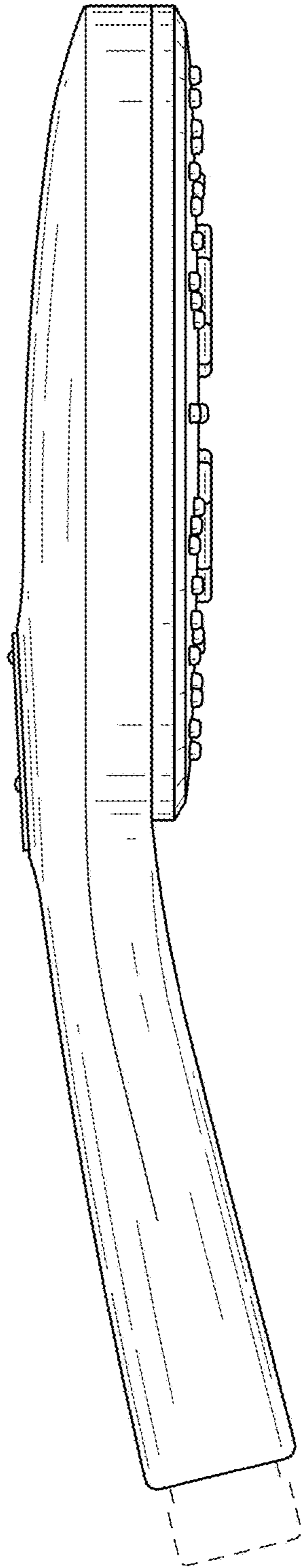


FIG.4

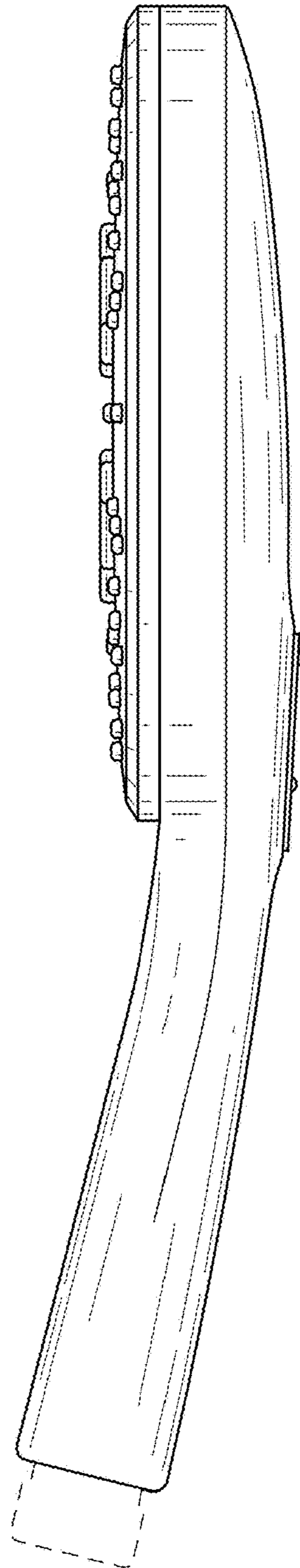


FIG.5

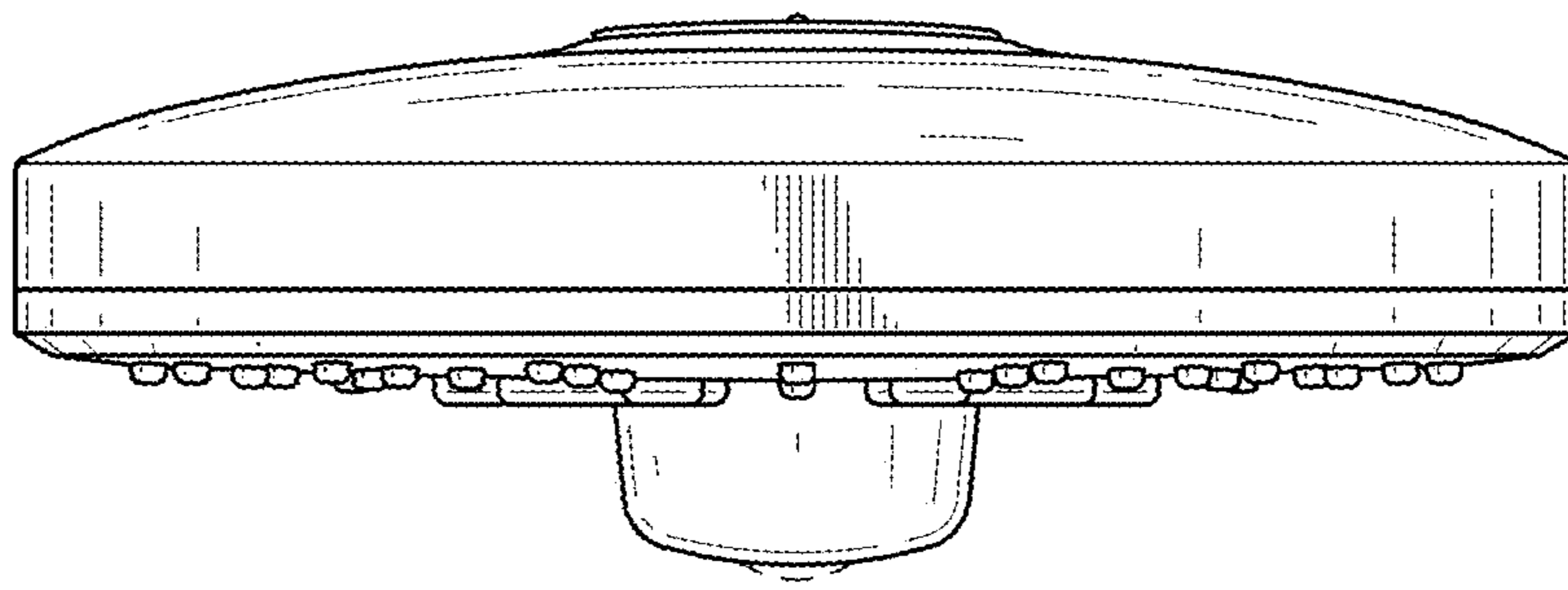


FIG.6

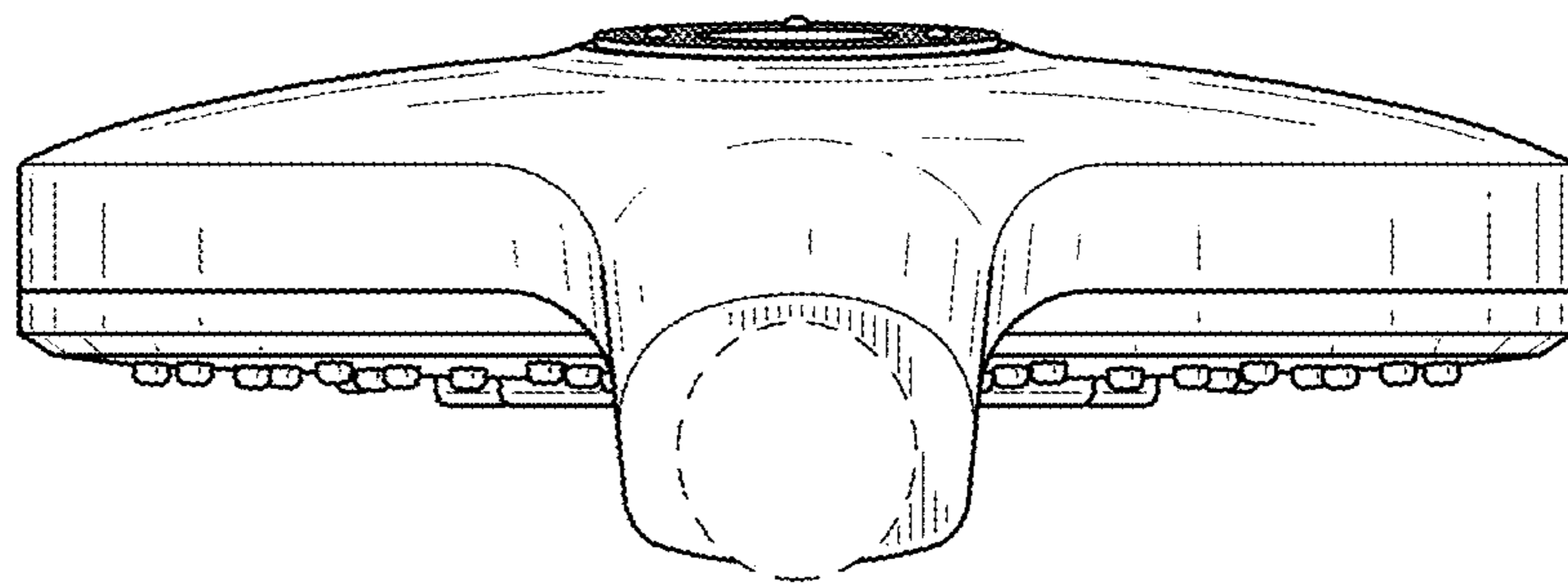


FIG.7