



US00D869607S

(12) **United States Design Patent** (10) **Patent No.:** **US D869,607 S**
Seum et al. (45) **Date of Patent:** **** Dec. 10, 2019**

(54) **HANDSHOWER**
(71) Applicant: **Grohe AG**, Hemer (DE)
(72) Inventors: **Michael Seum**, Duesseldorf (DE);
Patrick de Arins Speck, Curitiba (BR)
(73) Assignee: **Grohe AG**, Hemer (DE)
(**) Term: **15 Years**

D659,794 S * 5/2012 Flowers D23/223
D659,795 S * 5/2012 Flowers D23/223
D660,402 S * 5/2012 Flowers D23/223
D696,383 S * 12/2013 Miller D23/223
D707,331 S * 6/2014 Schoenherr D23/223
D733,258 S * 6/2015 Sandee D23/223
9,046,261 B2 * 6/2015 Zhang F21V 33/004
D737,932 S * 9/2015 Nikles D23/223
D778,402 S * 2/2017 Schoenherr D23/223
D820,388 S * 6/2018 Seum D23/213
D844,749 S * 4/2019 Cocks D23/223
D847,302 S * 4/2019 Cocks D23/223

(21) Appl. No.: **29/657,615**

* cited by examiner

(22) Filed: **Jul. 24, 2018**

Primary Examiner — Lakiya G Rogers

Assistant Examiner — John A Voytek

(30) **Foreign Application Priority Data**

(74) *Attorney, Agent, or Firm* — Muncy, Geissler, Olds & Lowe, P.C.

Jan. 24, 2018 (EM) 004678662-0003

(51) **LOC (12) Cl.** **23-01**

(57) **CLAIM**

(52) **U.S. Cl.**
USPC **D23/223**

The ornamental design for a handshower, as shown and described.

(58) **Field of Classification Search**
USPC D23/213, 214, 221, 222, 223, 226, 227,
D23/229, 230, 364, 366; D8/8; D9/521,
D9/529, 687; D12/400; D15/139;
D32/41, 42, 49; D4/118
CPC A62C 31/02; A62C 31/03; B05B 1/304;
B05B 1/308; B65D 47/247; B65D 47/24;
B65D 47/32; B65D 47/06
See application file for complete search history.

DESCRIPTION

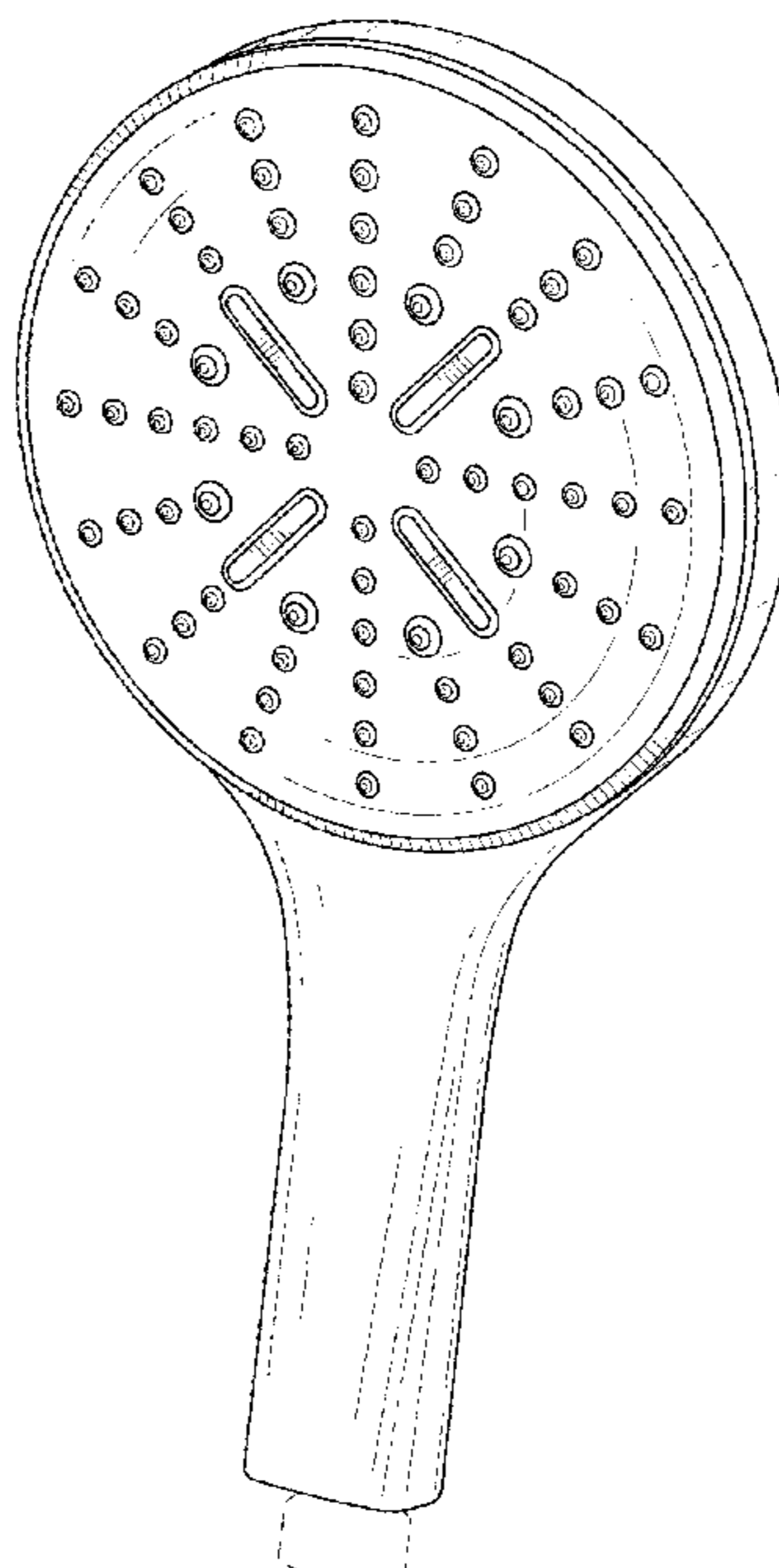
FIG. 1 is a front perspective view of a handshower according to the present invention.
FIG. 2 is a front view of the handshower of FIG. 1.
FIG. 3 is a rear view of the handshower of FIG. 1.
FIG. 4 is a left side view of the handshower of FIG. 1.
FIG. 5 is a right side view of the handshower of FIG. 1.
FIG. 6 is a top view of the handshower of FIG. 1; and,
FIG. 7 is a bottom view of the handshower of FIG. 1.
The dashed lines illustrate environment that does not form a part of the present invention, and no claim is made to the material illustrated with dashed lines.

(56) **References Cited**

U.S. PATENT DOCUMENTS

D511,809 S * 11/2005 Haug D23/223
D562,937 S * 2/2008 Schonherr D23/213
D610,231 S * 2/2010 Wu D23/223

1 Claim, 7 Drawing Sheets



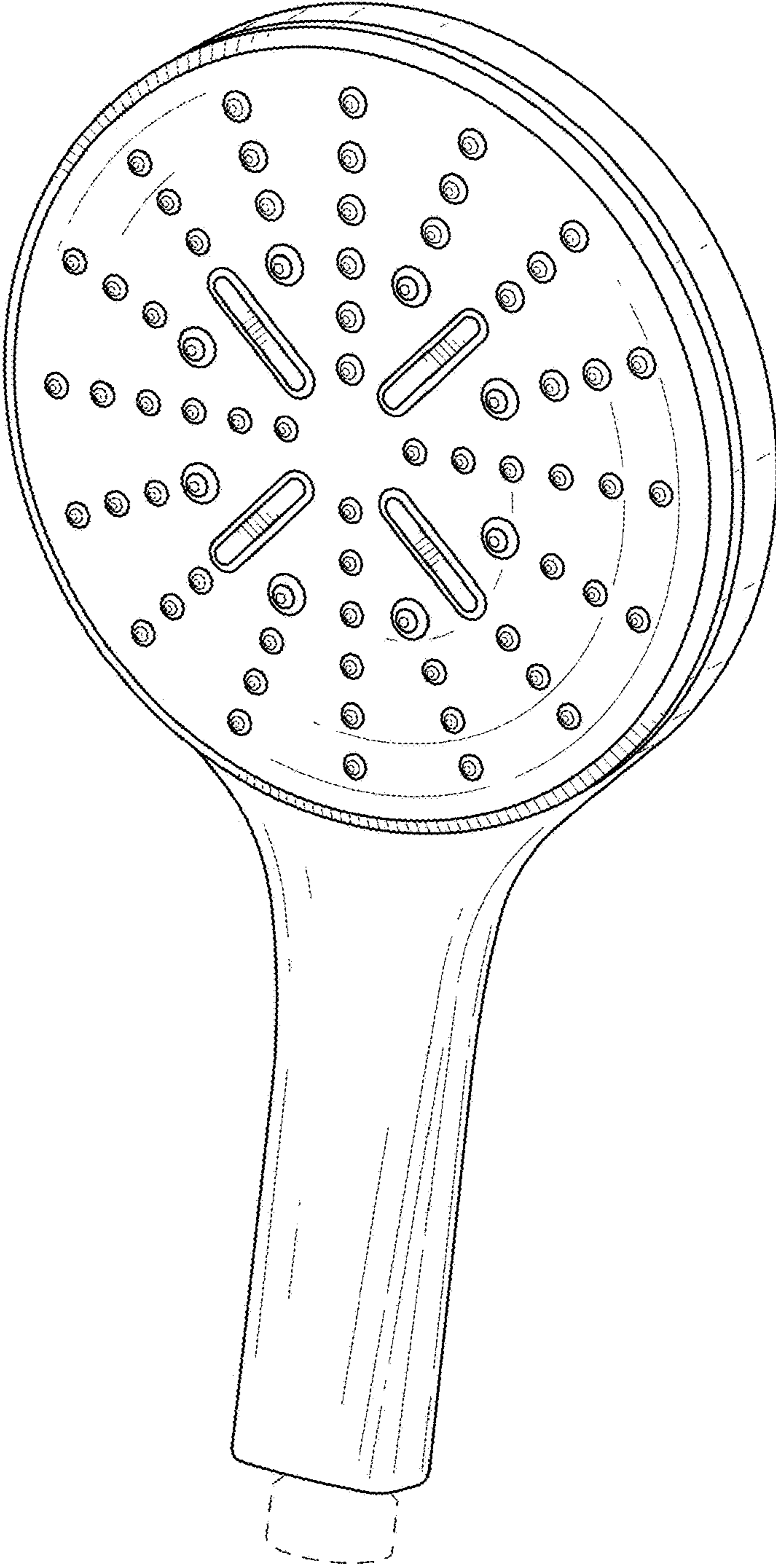


FIG. 1

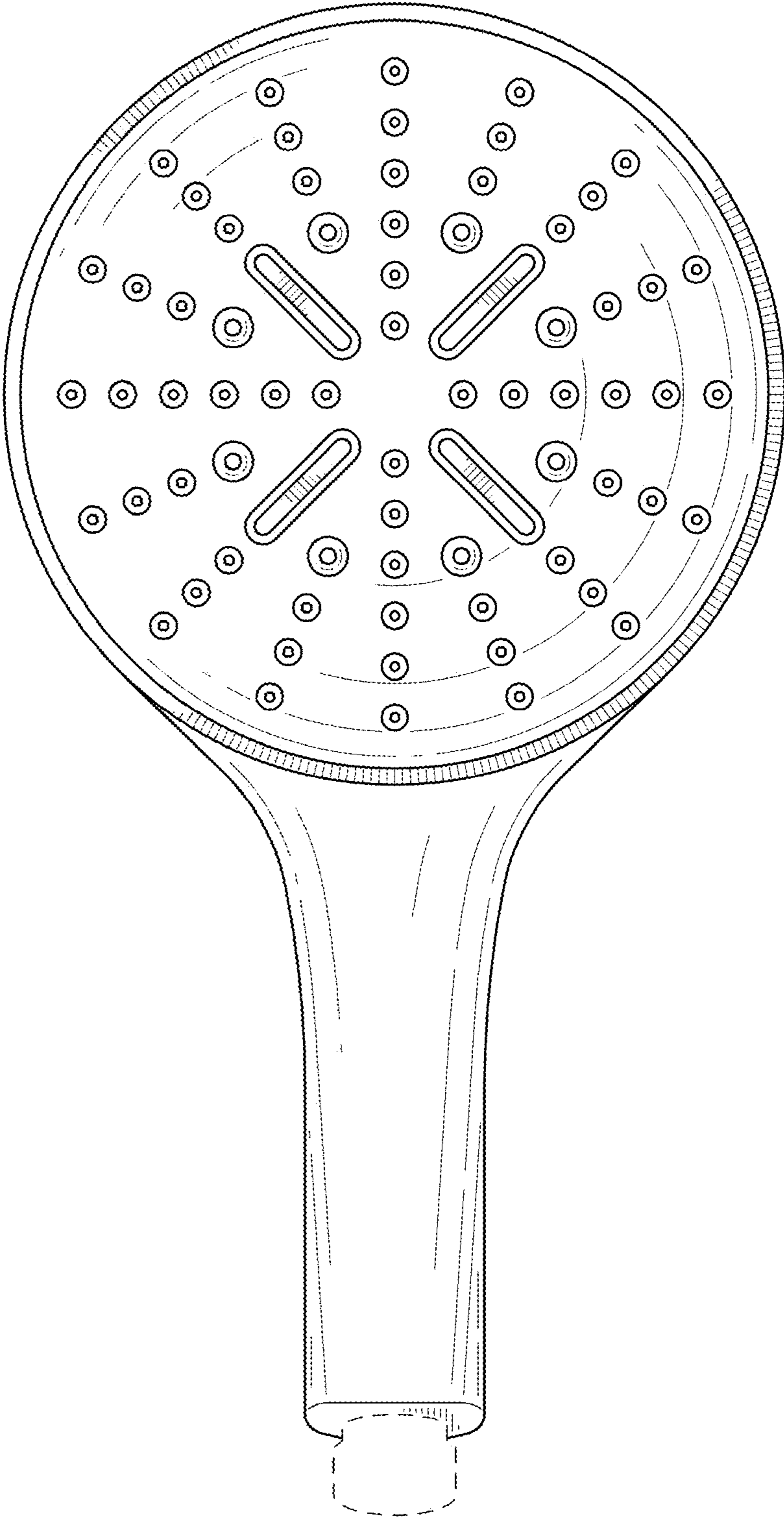


FIG.2

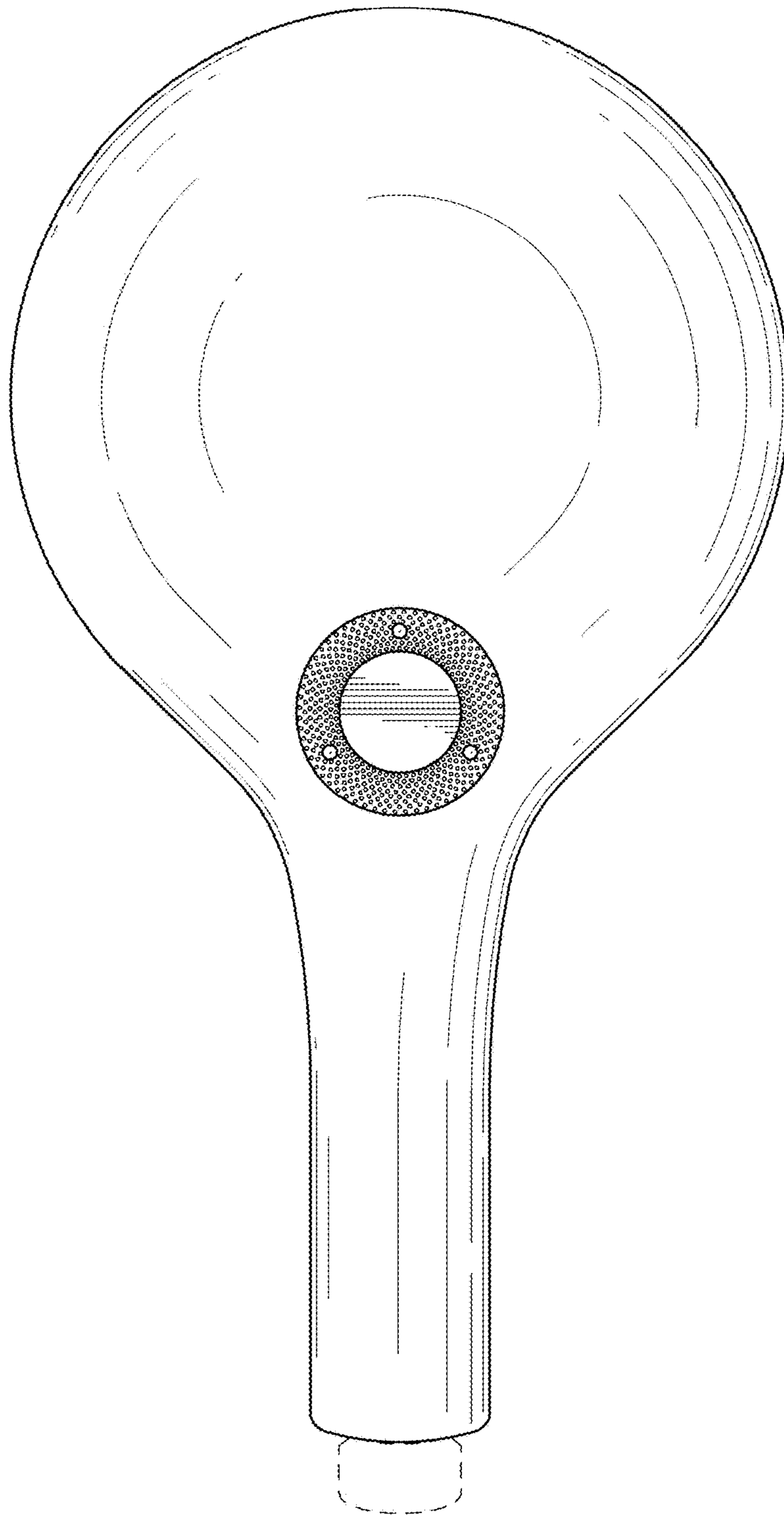


FIG.3

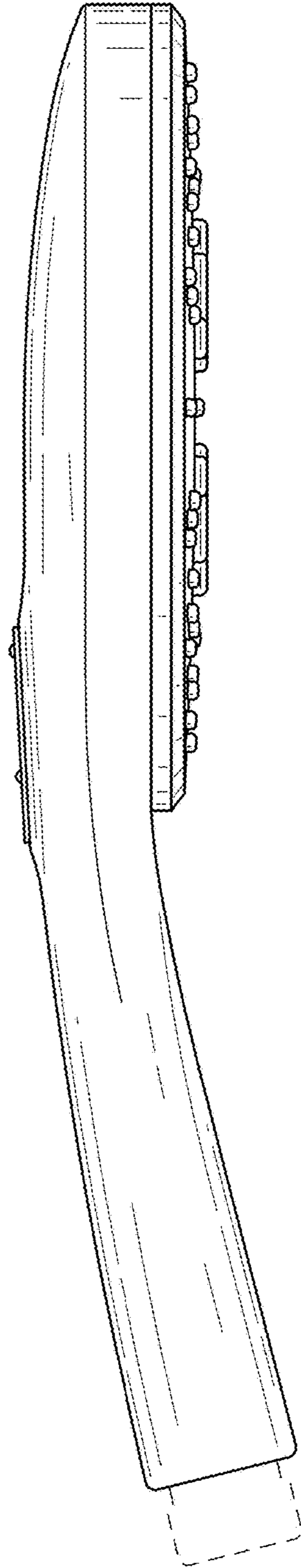


FIG.4

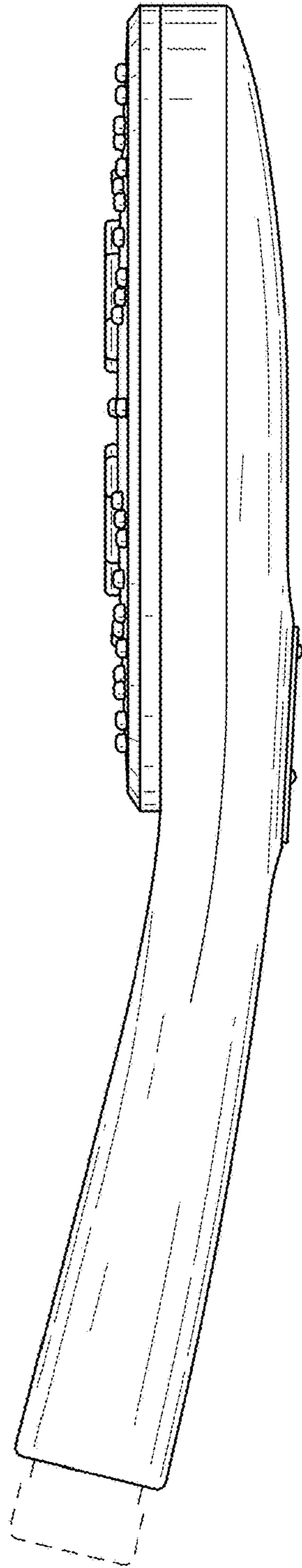


FIG.5

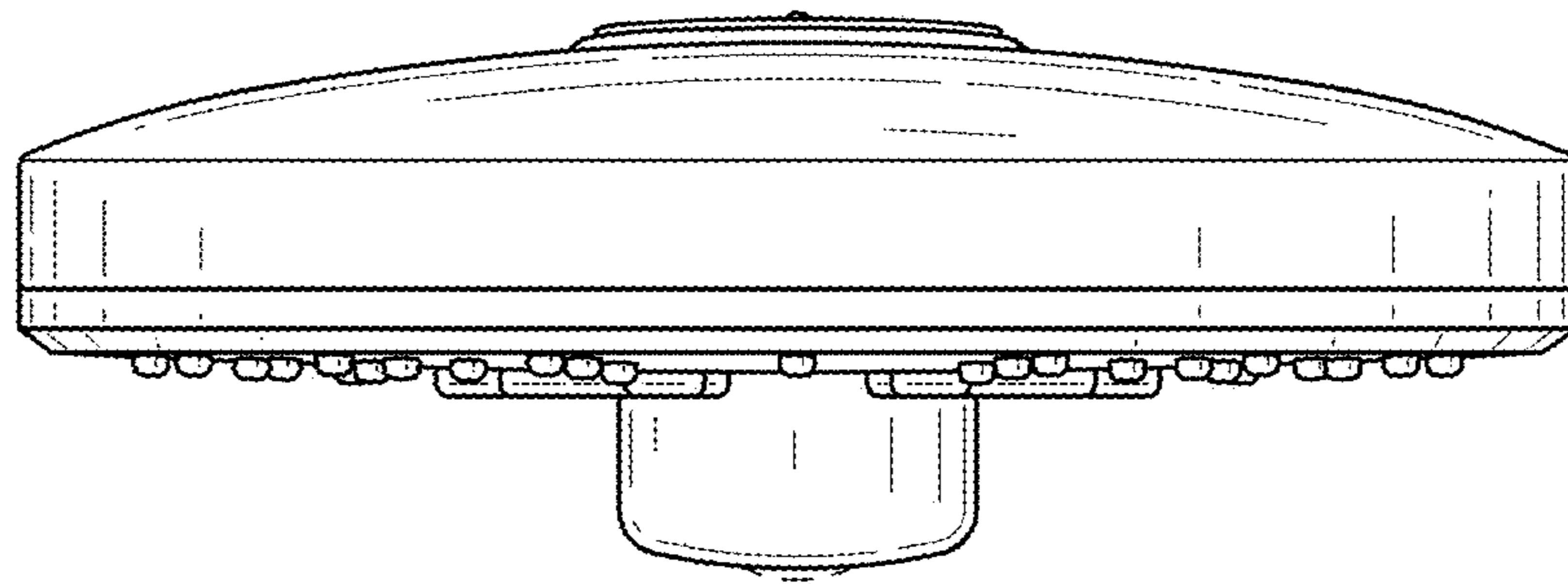


FIG.6

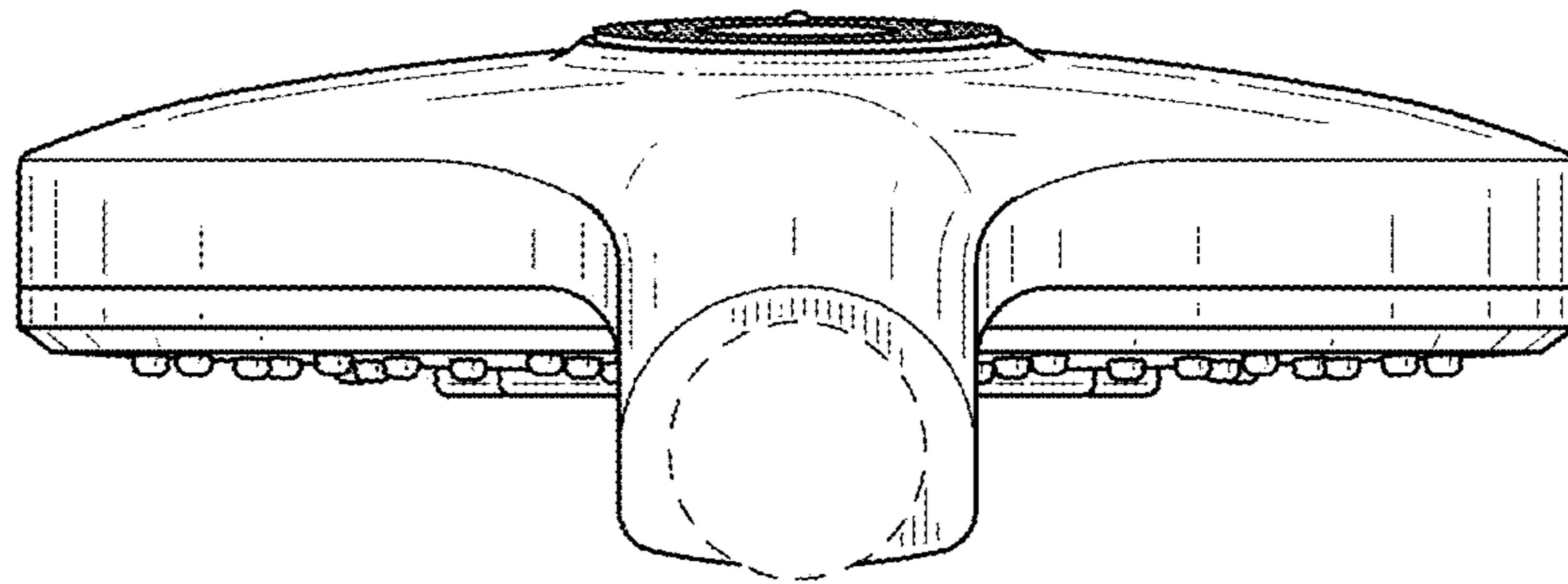


FIG.7