



US00D869604S

(12) **United States Design Patent** (10) **Patent No.:** **US D869,604 S**
Roth (45) **Date of Patent:** **** Dec. 10, 2019**

(54) **FLUID DISPENSING SYSTEM**
(71) Applicant: **Ronald B. Roth**, San Antonio, TX (US)
(72) Inventor: **Ronald B. Roth**, San Antonio, TX (US)
(**) Term: **15 Years**
(21) Appl. No.: **29/643,697**
(22) Filed: **Apr. 11, 2018**
(51) **LOC (12) Cl.** **23-01**
(52) **U.S. Cl.**
USPC **D23/207; D7/306**
(58) **Field of Classification Search**
USPC D7/306, 313, 591; D6/545; D23/201,
D23/202, 203, 207, 208, 213, 225, 361,
D23/368
CPC ... A01M 7/0046; A01M 7/0035; A01C 15/02;
B05B 7/241; B05B 7/2408; B05B 7/2405;
B05B 9/08; B05B 11/00; B05B 11/0005;
B05B 7/24; B05B 17/00; B05B 7/1413;
B05B 9/0883; F16K 31/48
See application file for complete search history.

D672,848 S * 12/2012 Wirz D23/202
D774,820 S * 12/2016 Yang D7/306
D792,729 S * 7/2017 Adewuyi D7/306
D795,608 S * 8/2017 Boyd D6/545
D806,826 S * 1/2018 Larsen D23/200
D812,953 S * 3/2018 Berberet D7/306
D812,972 S * 3/2018 Braunschweig D7/398
D830,755 S * 10/2018 Fletcher D7/306
D843,766 S * 3/2019 Murray D7/313
2004/0144799 A1* 7/2004 Danby B65D 77/30
222/94
2012/0325859 A1* 12/2012 Malin B67D 3/041
222/214
2016/0256356 A1* 9/2016 Hood B67D 7/221

* cited by examiner

Primary Examiner — Manpreet S Matharu
Assistant Examiner — Keith J Wilson
(74) *Attorney, Agent, or Firm* — Not Just Patents LLC;
Wendy S Peterson

(57) **CLAIM**

The ornamental design for a fluid dispensing system, as shown and described.

DESCRIPTION

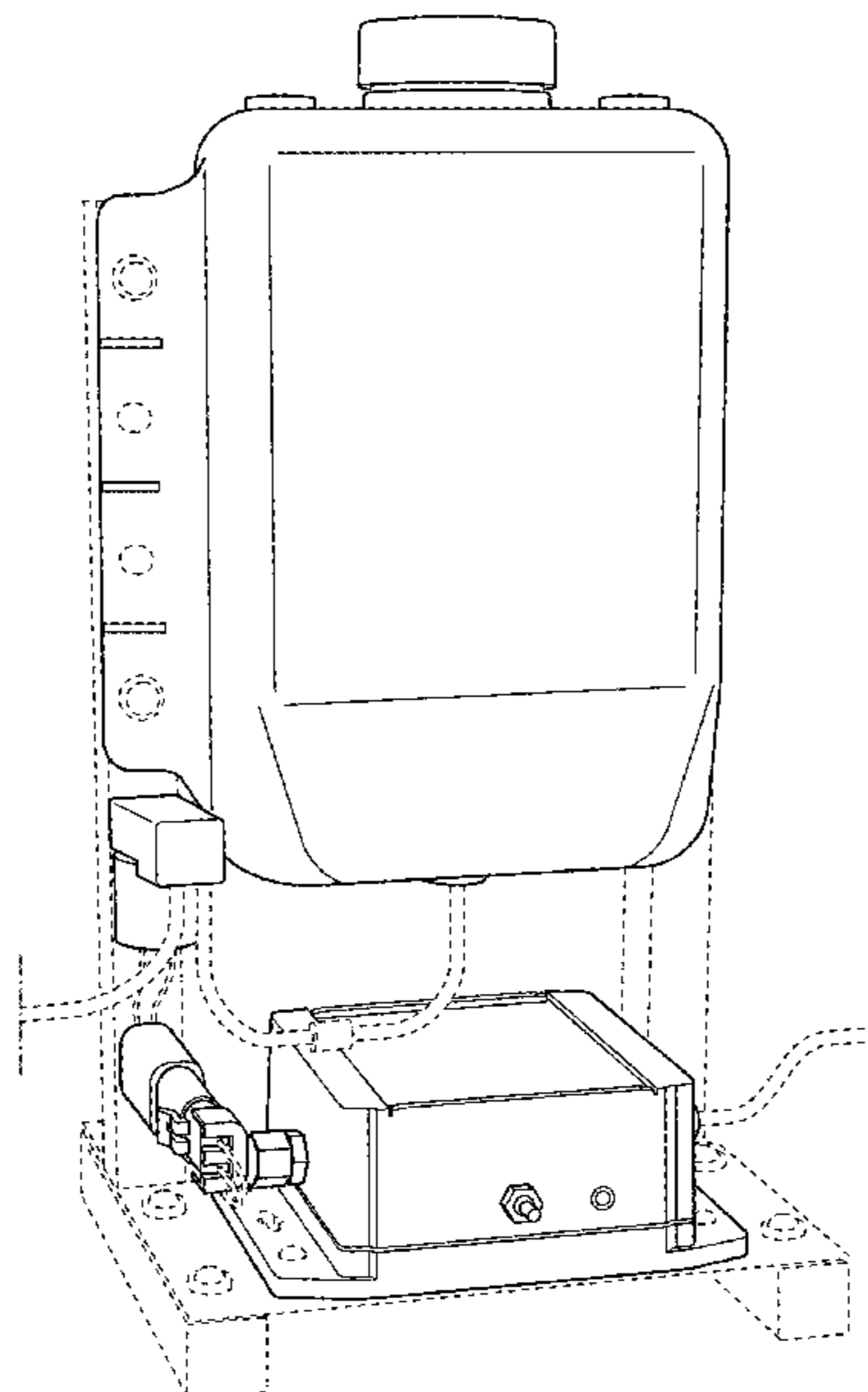
FIG. 1 is a left perspective view of the fluid dispensing system showing my new design;
FIG. 2 is a right perspective view thereof;
FIG. 3 is a front view thereof;
FIG. 4 is a back view thereof;
FIG. 5 is a left view thereof;
FIG. 6 is a top view thereof; and,
FIG. 7 is a bottom view thereof.
The features shown in dash-dash broken lines represents portions of fluid dispenser system and form no part of the claimed design. The dash-dot broken lines represent boundaries and form no part of the claim design.

1 Claim, 6 Drawing Sheets

(56) **References Cited**

U.S. PATENT DOCUMENTS

4,145,291 A * 3/1979 Console A61L 2/18
210/232
D273,412 S * 4/1984 Johnson D23/207
D316,741 S * 5/1991 Kurth D23/209
D333,505 S * 2/1993 Matsumura D23/200
D378,642 S * 4/1997 DeGennaro D6/542
D400,965 S * 11/1998 Akwei D23/208
D418,196 S * 12/1999 Faltys D23/202
D464,226 S * 10/2002 Lassota D7/306
D594,266 S * 6/2009 Nakatani D7/306
D622,998 S * 9/2010 Ashbridge D7/306
D644,711 S * 9/2011 Kassir D23/207
D663,381 S * 7/2012 Parmley D23/225
D671,346 S * 11/2012 Zlatic D23/208



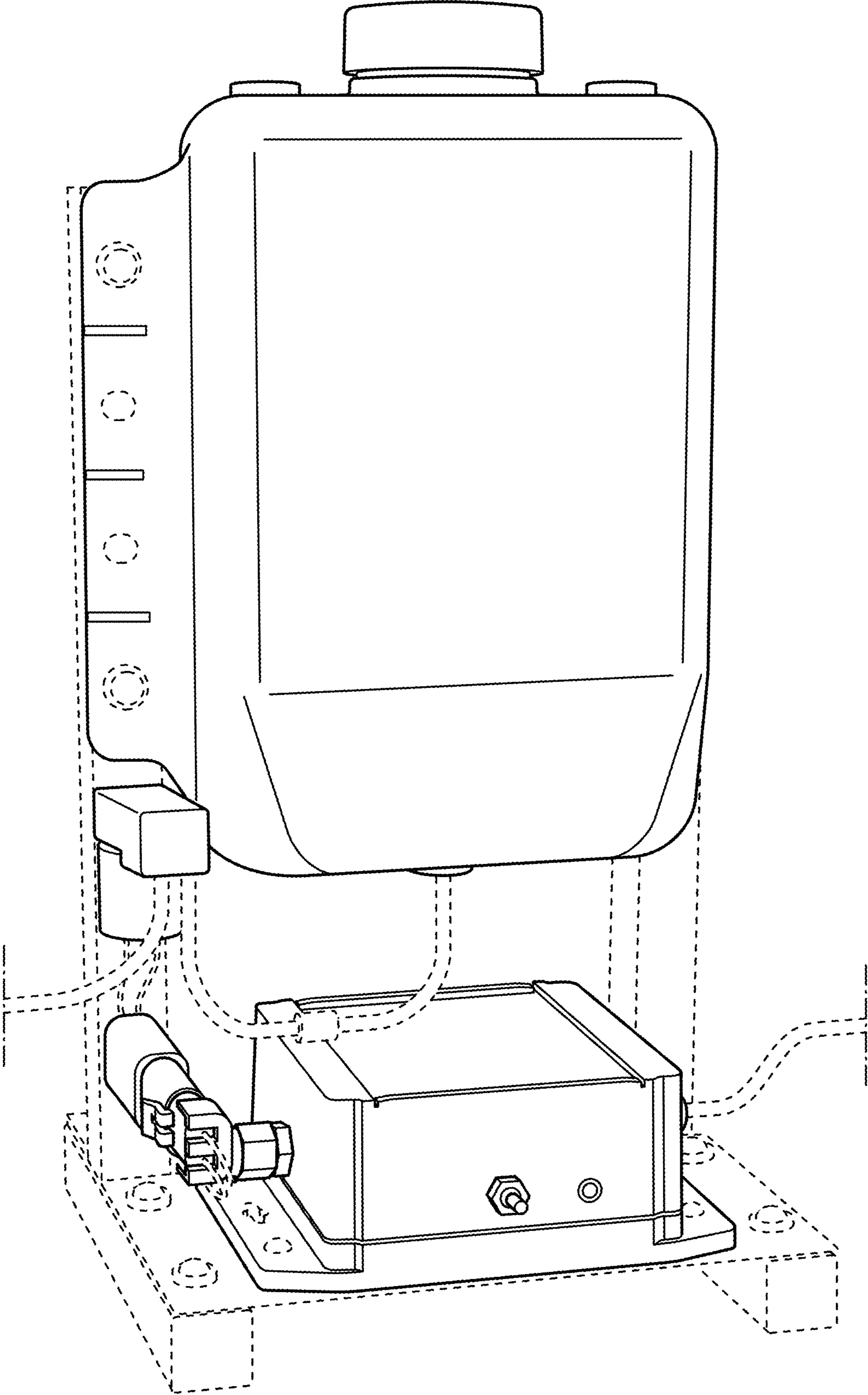


FIG. 1

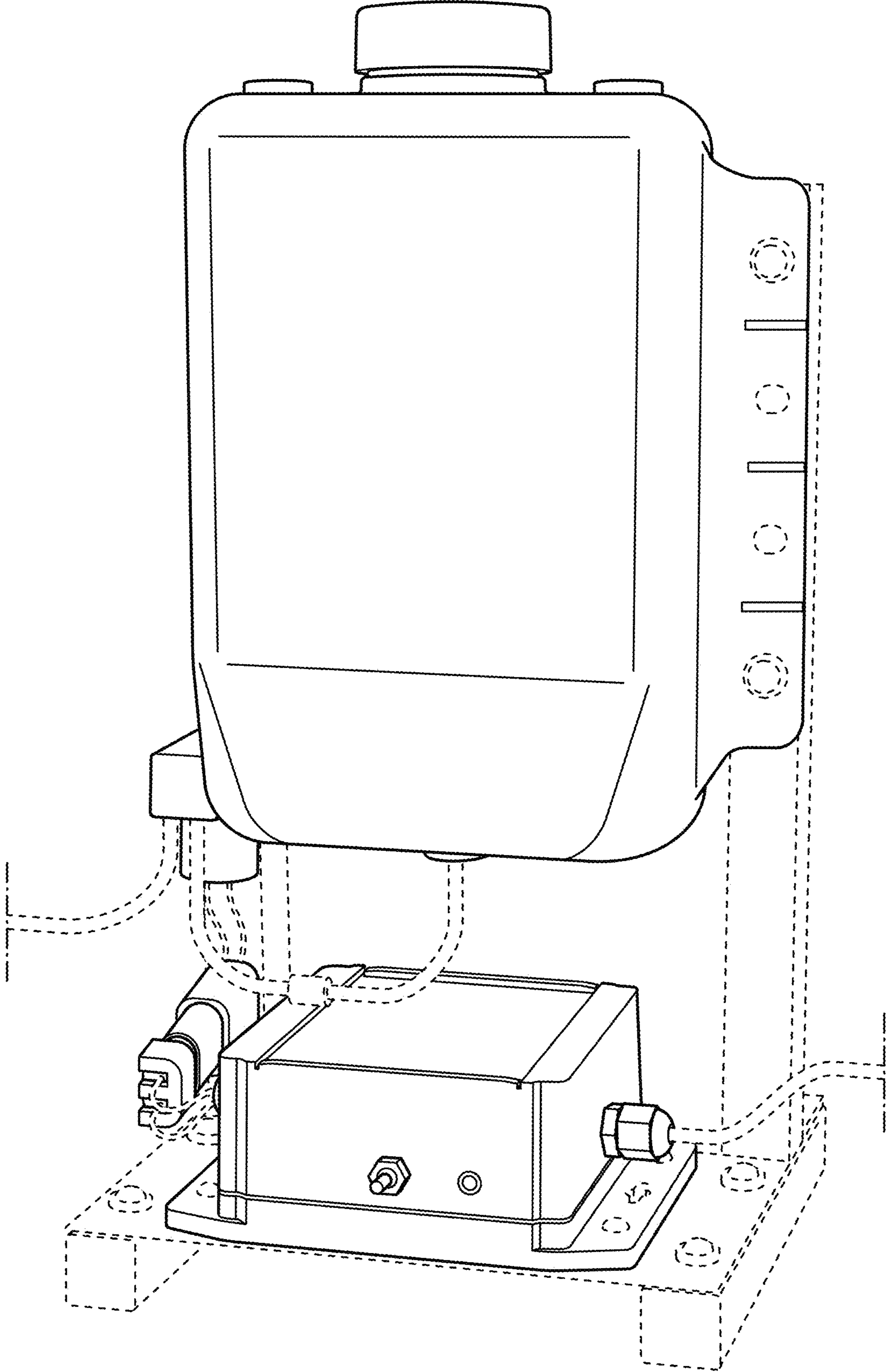


FIG. 2

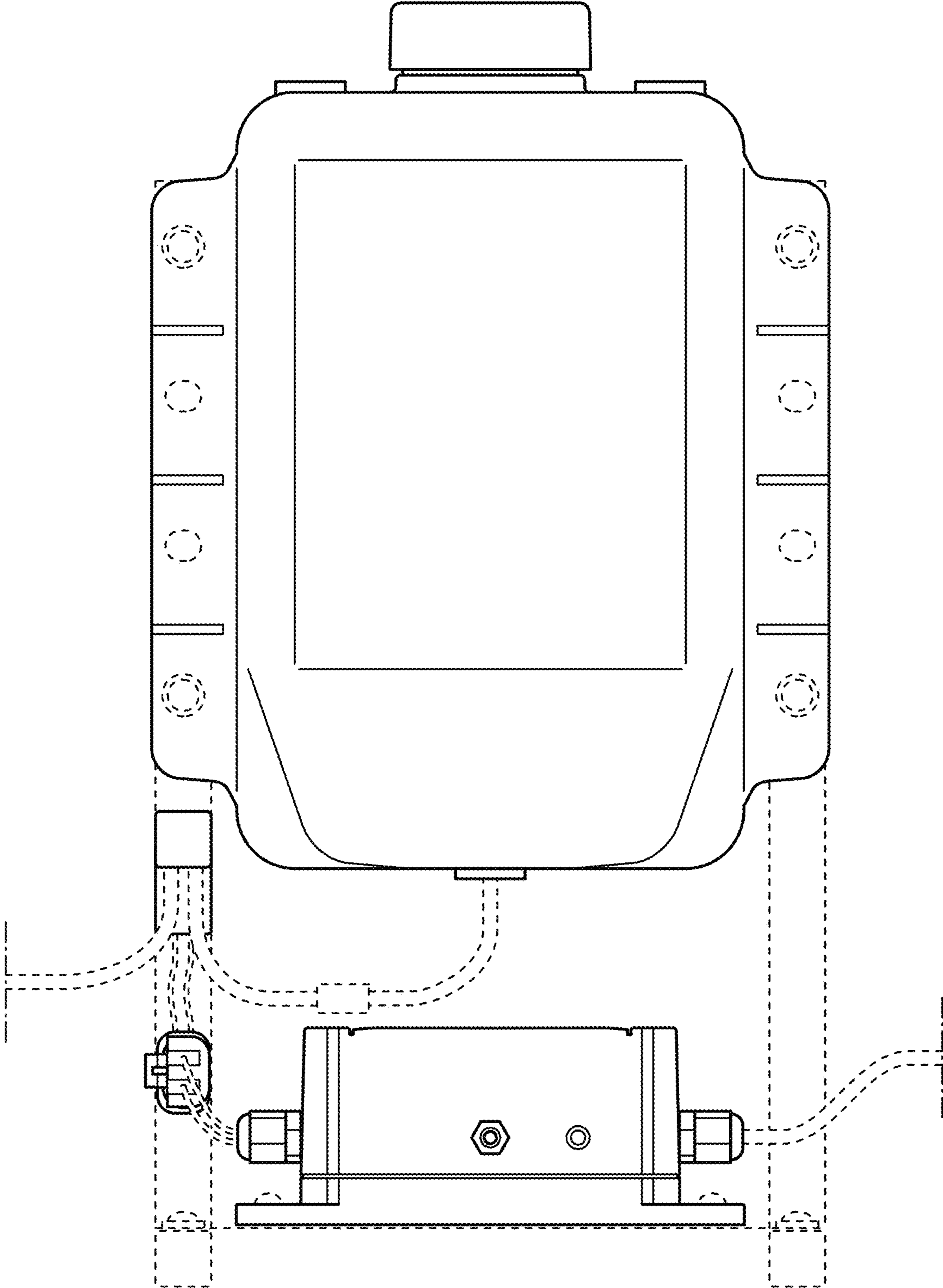


FIG. 3

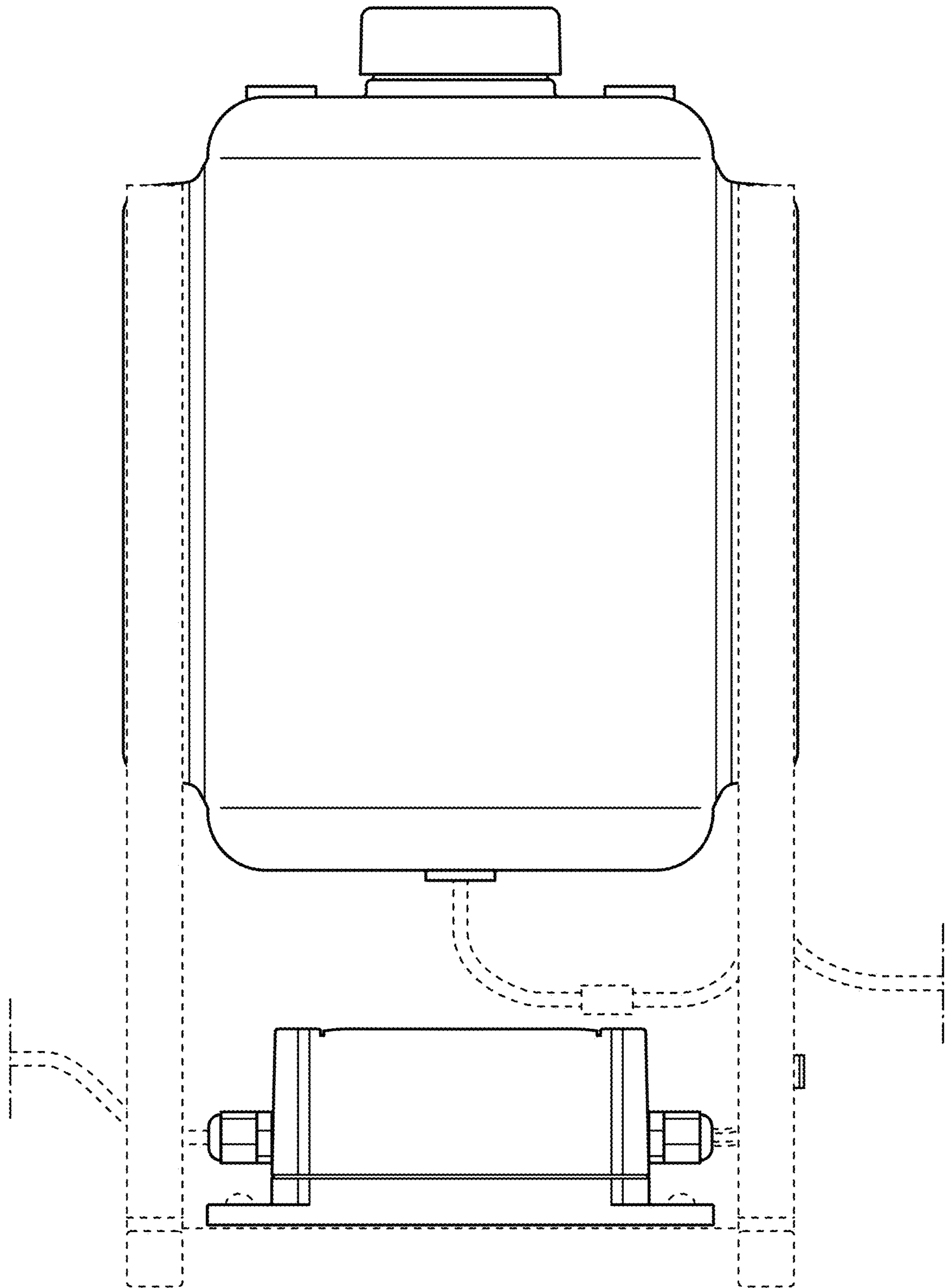


FIG. 4

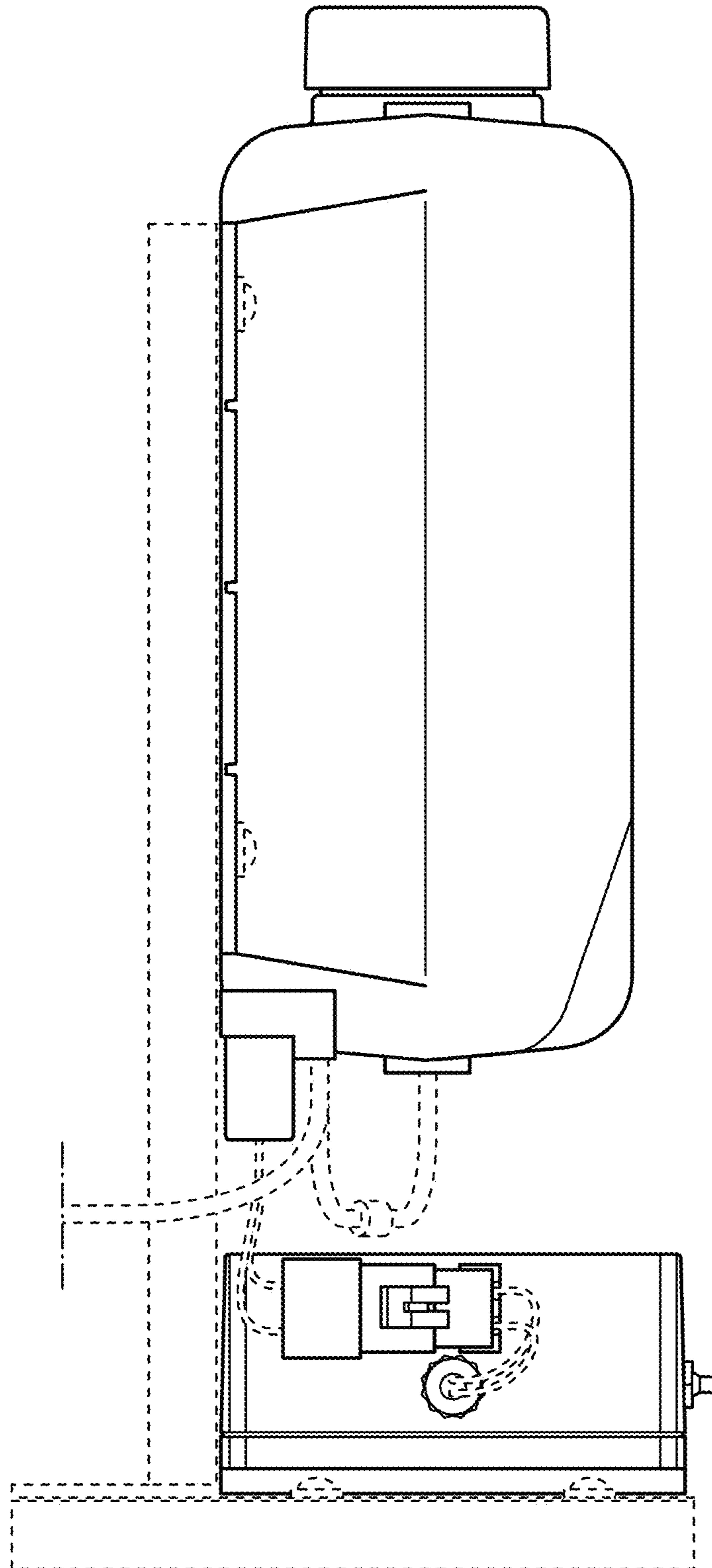


FIG. 5

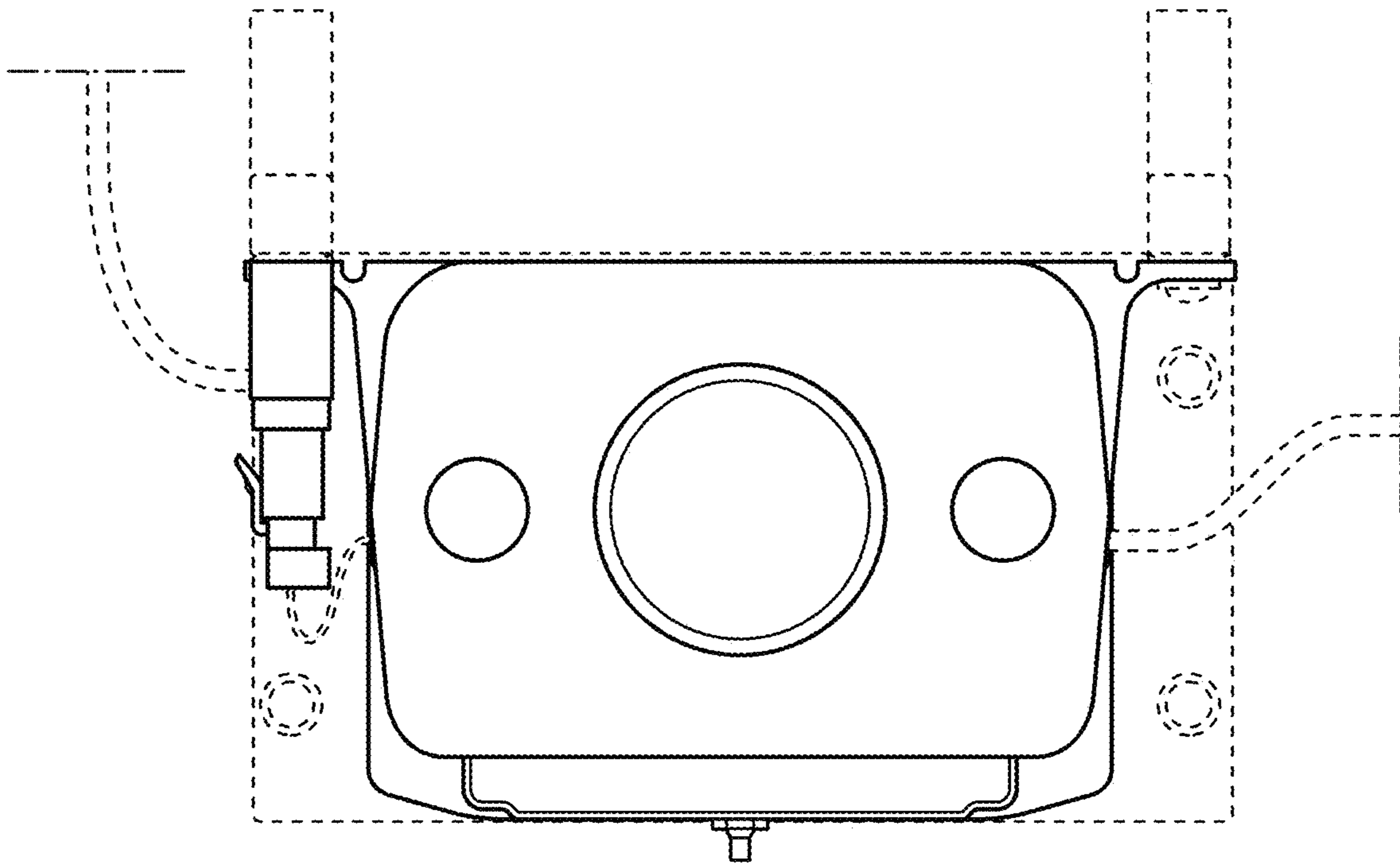


FIG. 6

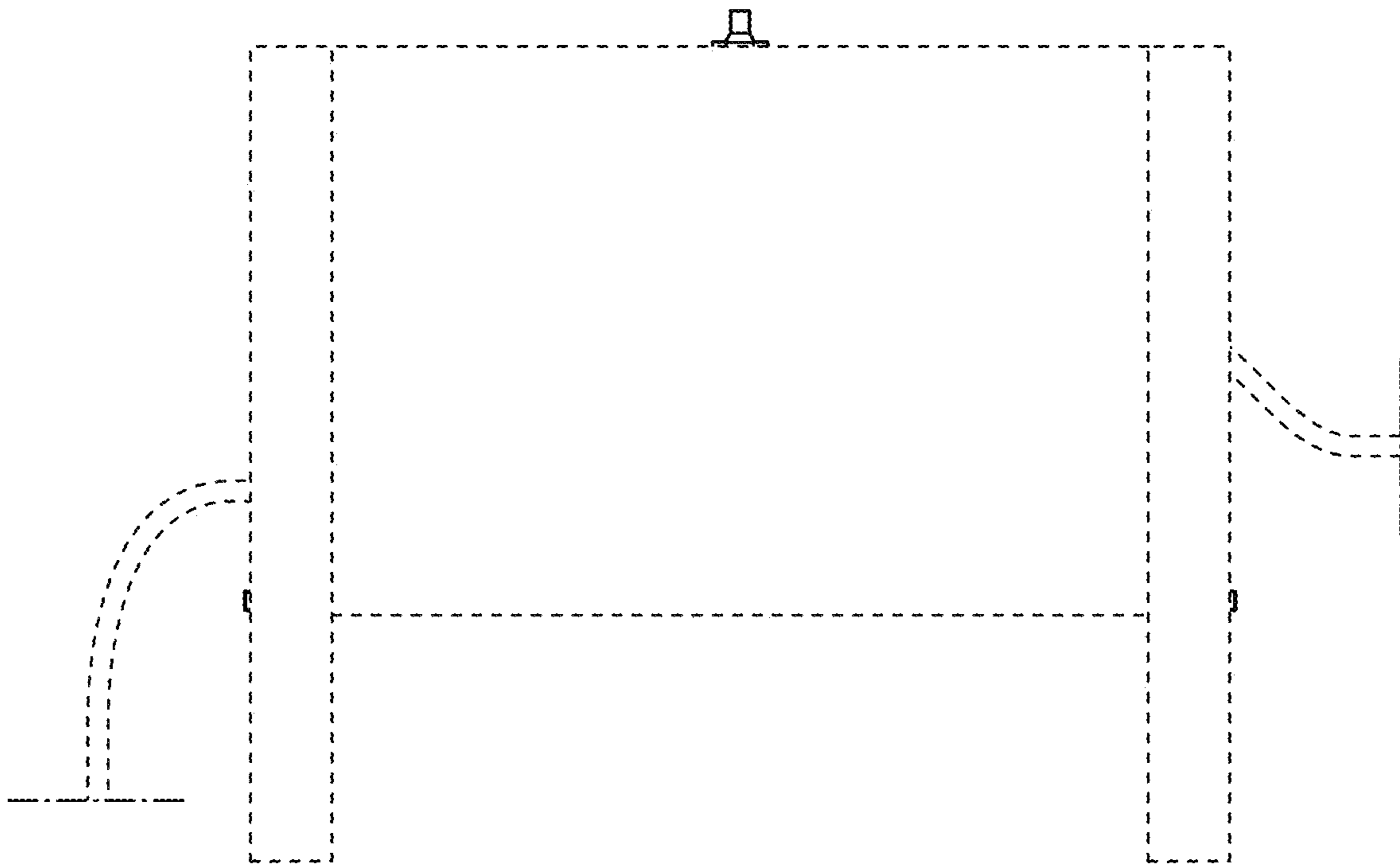


FIG. 7