



US00D869602S

(12) **United States Design Patent**
Hyun

(10) **Patent No.:** **US D869,602 S**

(45) **Date of Patent:** **** Dec. 10, 2019**

(54) **FISHING REEL**

(71) Applicant: **DOYO ENGINEERING CO., LTD.**,
Bucheon (KR)

(72) Inventor: **Kang Ho Hyun**, Bucheon (KR)

(73) Assignee: **DOYO ENGINEERING CO., LTD.**,
Bucheon (KR)

(**) Term: **15 Years**

(21) Appl. No.: **29/663,786**

(22) Filed: **Sep. 19, 2018**

(30) **Foreign Application Priority Data**

May 8, 2018 (KR) 30-2018-0021139

(51) **LOC (12) Cl.** **22-05**

(52) **U.S. Cl.**
USPC **D22/140**

(58) **Field of Classification Search**

USPC D22/137-141; 242/223-224, 234-240,
242/283, 310, 314-315, 318, 322, 370
CPC .. A01K 89/01; A01K 89/015; A01K 89/0155;
A01K 89/033; A01K 89/01931; A01K
89/01923

See application file for complete search history.

(56) **References Cited**

U.S. PATENT DOCUMENTS

6,032,894 A * 3/2000 Chapman A01K 89/01931
242/310
D718,409 S * 11/2014 Asaba D22/140

D724,173 S * 3/2015 Asaba D22/140
D731,613 S * 6/2015 Kano D22/140
D767,083 S * 9/2016 Niitsuma D22/140
D846,061 S * 4/2019 Niitsuma D22/140
2011/0057063 A1* 3/2011 Kawasaki A01K 89/0192
242/283

* cited by examiner

Primary Examiner — Catherine R Oliver-Garcia

(74) *Attorney, Agent, or Firm* — Cantor Colburn LLP

(57) **CLAIM**

The ornamental design for a fishing reel, as shown and described.

DESCRIPTION

FIG. 1 is a front and right side perspective view of a fishing reel showing my new design;
FIG. 2 is a rear and left side perspective view thereof;
FIG. 3 is a front elevational view thereof;
FIG. 4 is a rear elevational view thereof;
FIG. 5 is a left side elevational view thereof;
FIG. 6 is a right side elevational view thereof;
FIG. 7 is a top plan view thereof; and,
FIG. 8 is a bottom plan view thereof.
The broken lines depict environmental structure and are included for the purpose of illustration only and form no part of the claimed design.

1 Claim, 8 Drawing Sheets

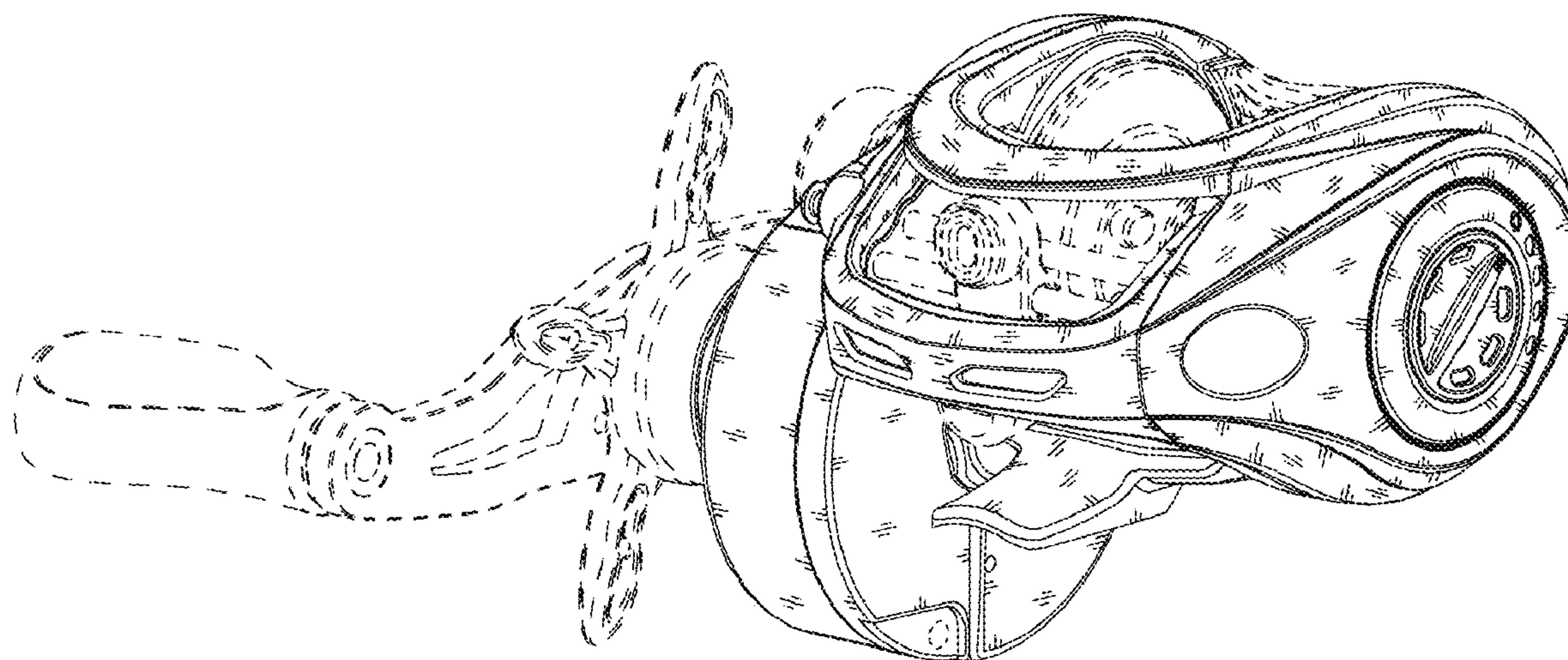


FIG. 1

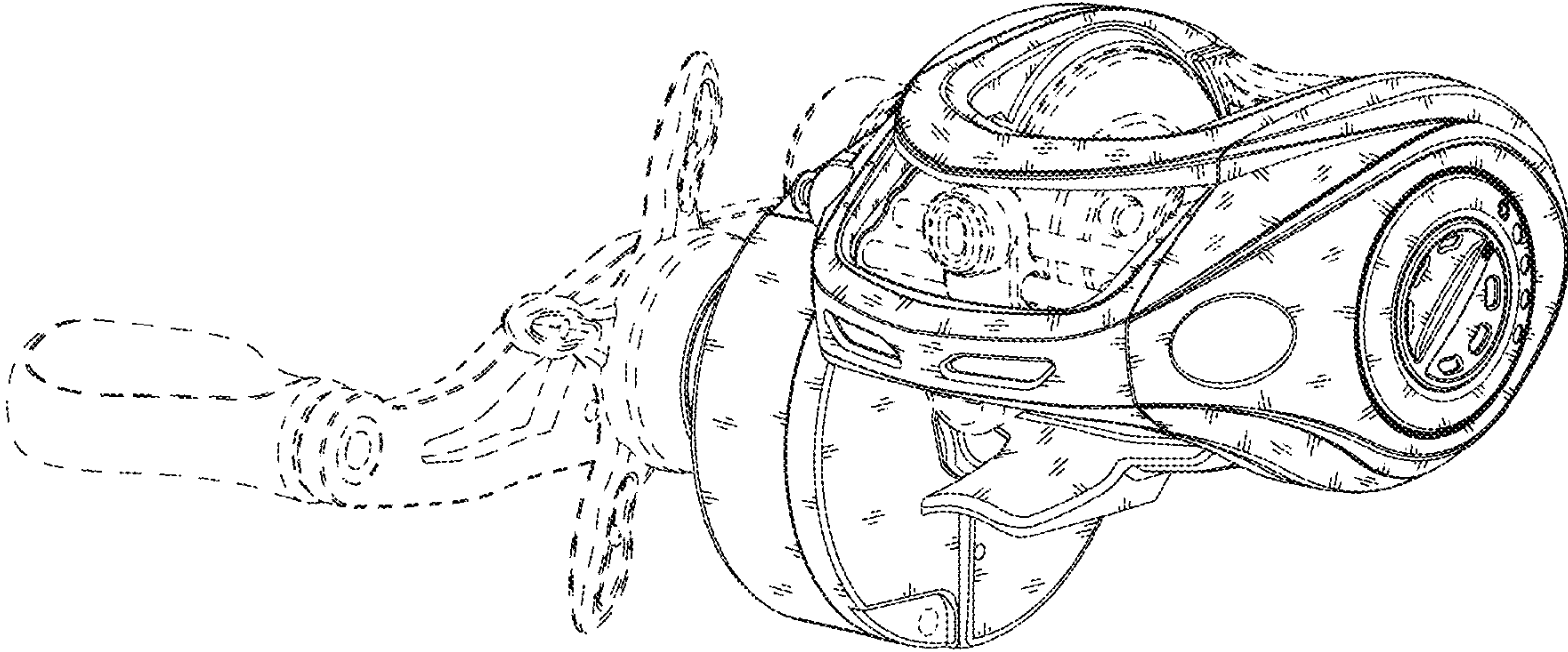


FIG. 2

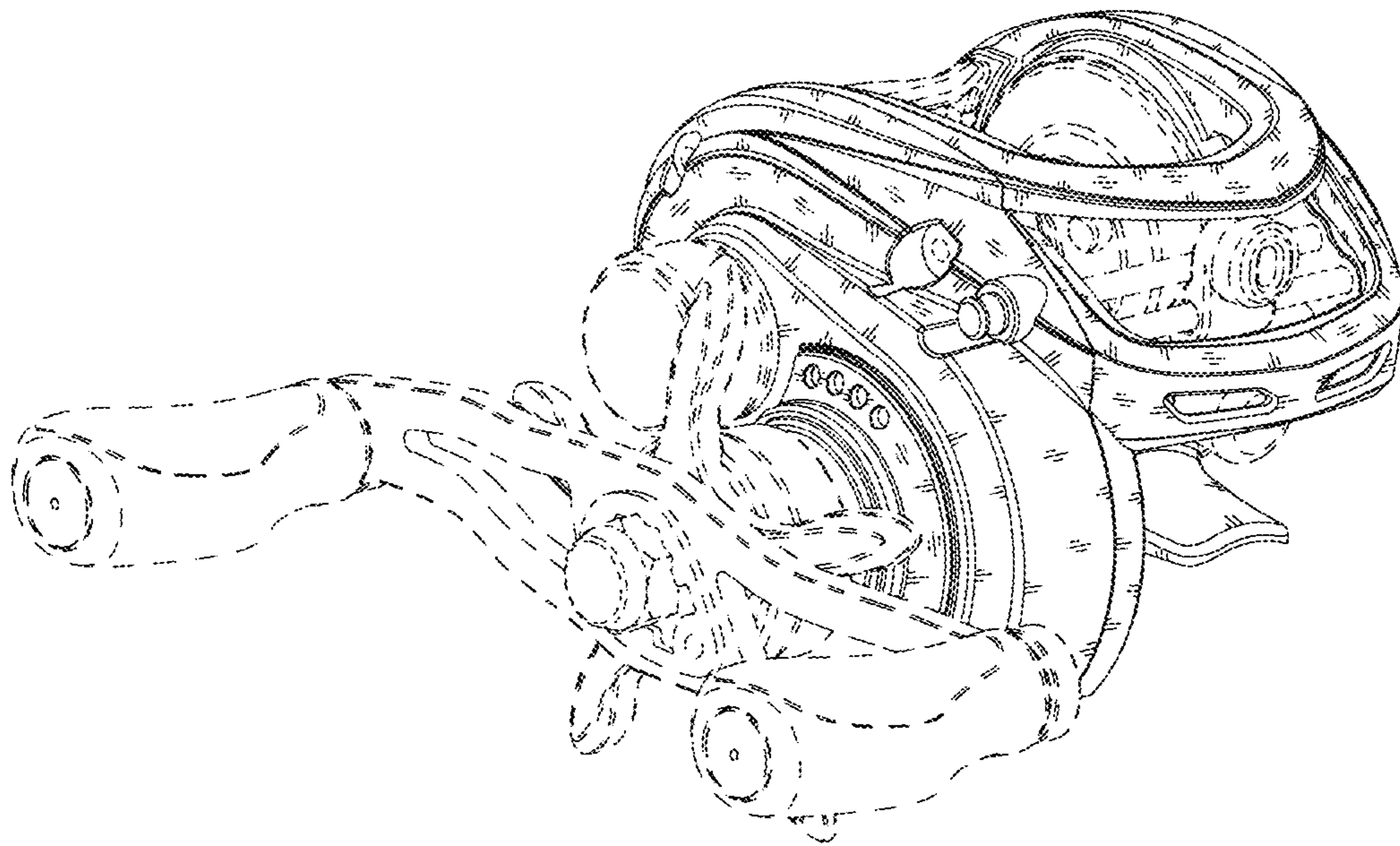


FIG. 3

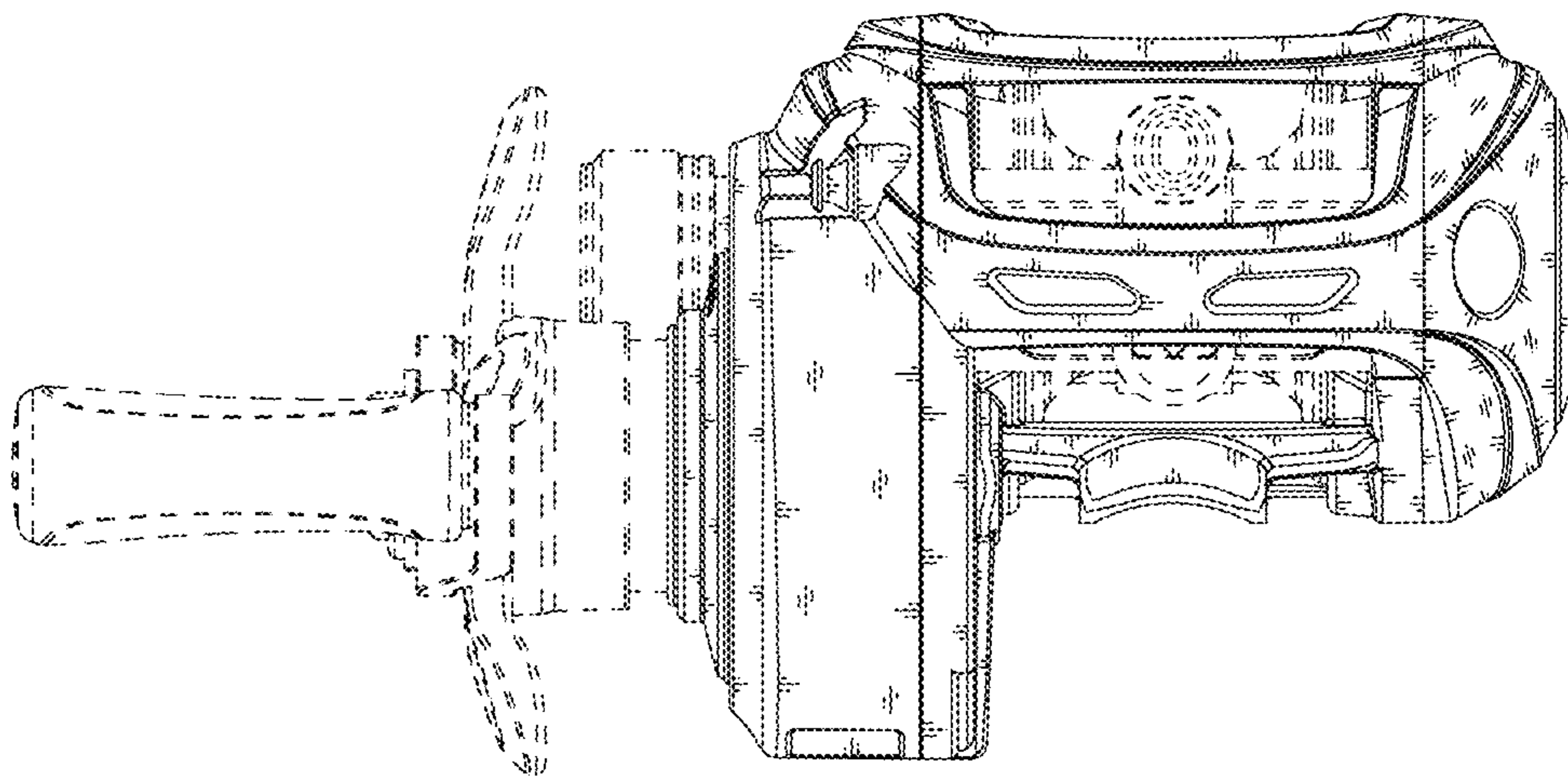


FIG. 4

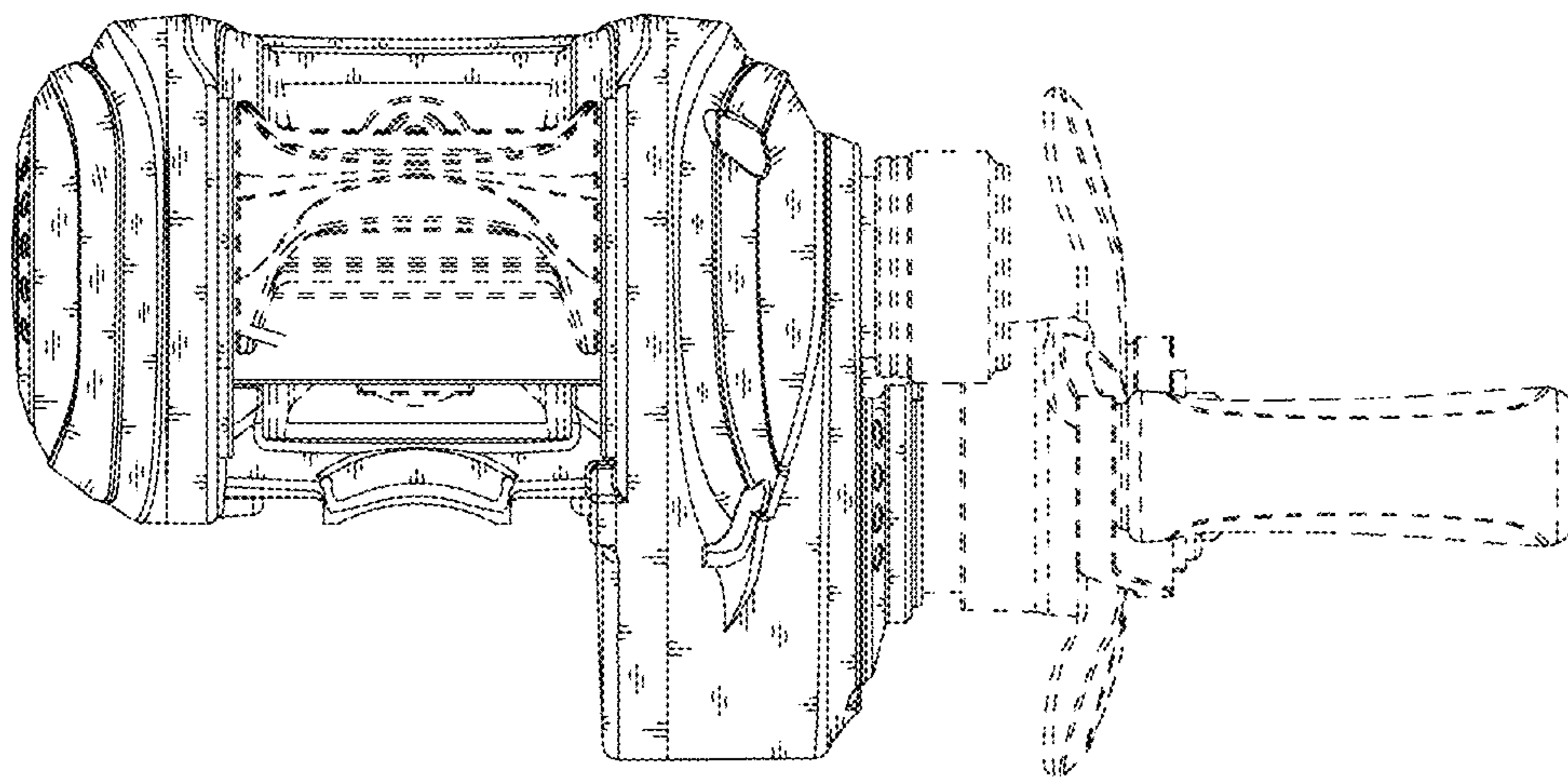


FIG. 5

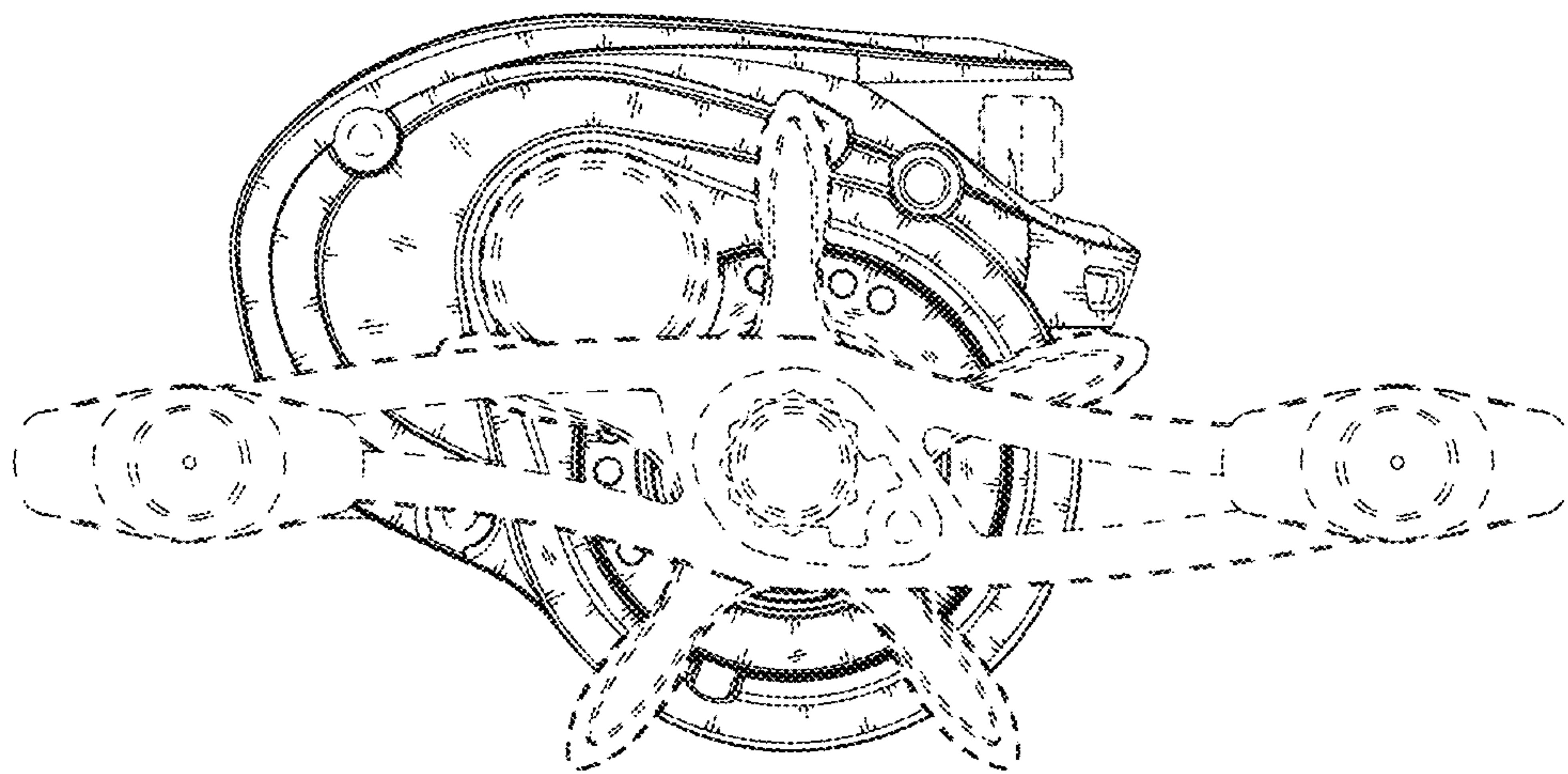


FIG. 6

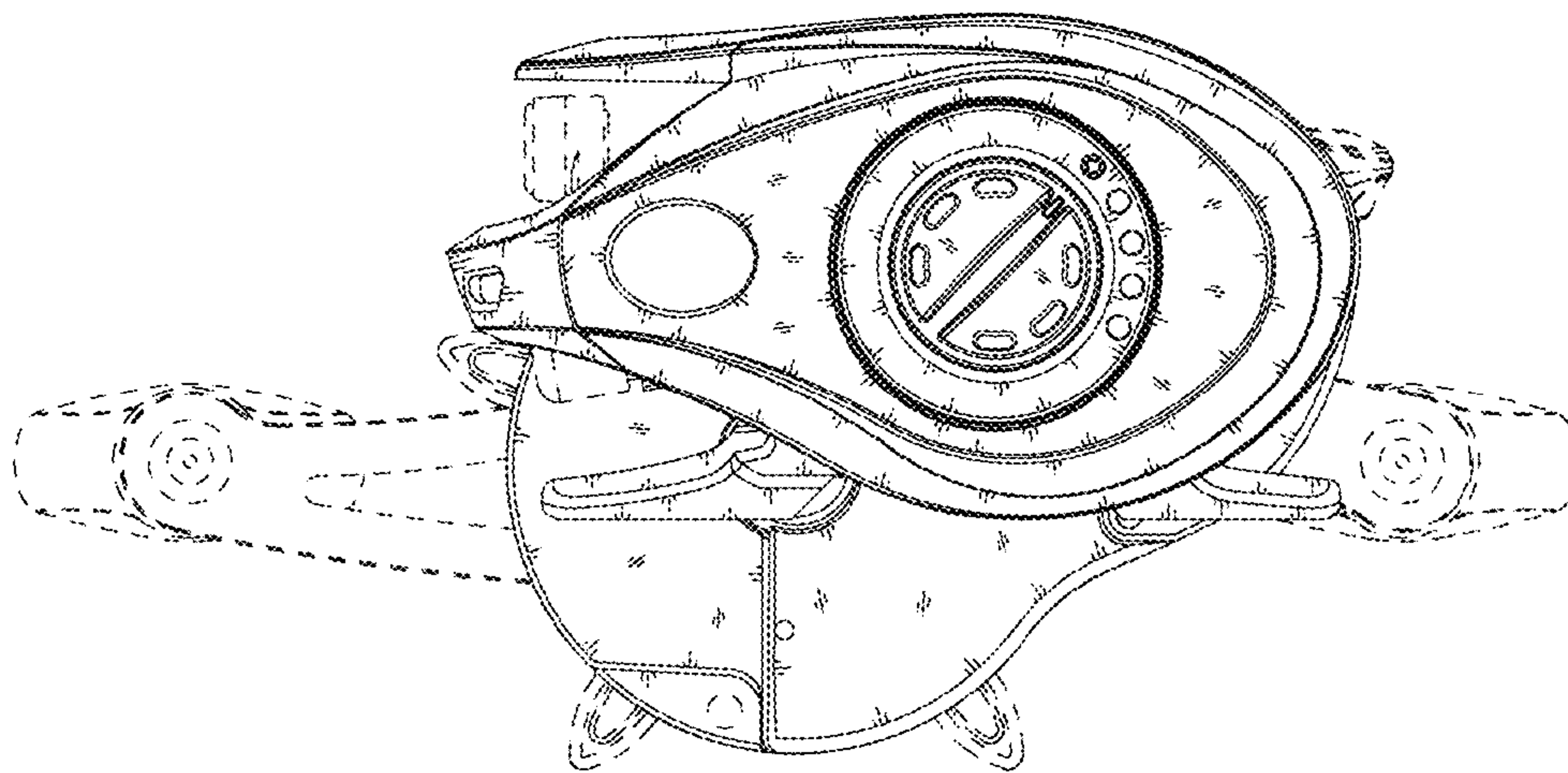


FIG. 7

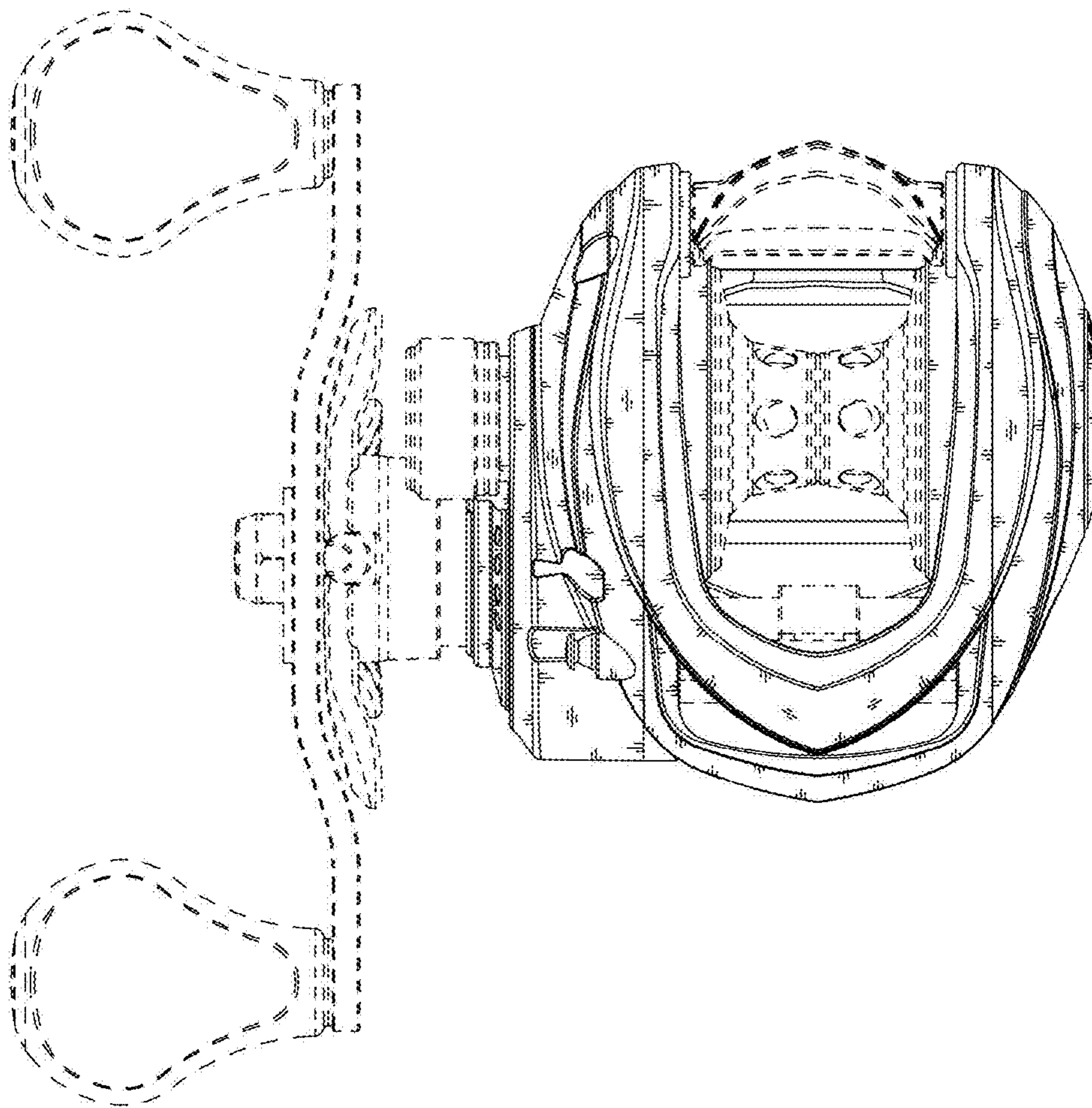


FIG. 8

