



US00D869601S

(12) **United States Design Patent**
McCarty

(10) **Patent No.:** **US D869,601 S**

(45) **Date of Patent:** **** Dec. 10, 2019**

(54) **FISHING JIGGING MECHANISM**
(71) Applicant: **Clarence A. McCarty**, Monticello, MN
(US)

(72) Inventor: **Clarence A. McCarty**, Monticello, MN
(US)

(**) Term: **15 Years**

(21) Appl. No.: **29/666,558**

(22) Filed: **Oct. 15, 2018**

(51) **LOC (12) Cl.** **22-05**

(52) **U.S. Cl.**
USPC **D22/134**

(58) **Field of Classification Search**
USPC D22/134, 199; 340/573.2; 43/15-16,
43/19.2, 21.2, 26.1
CPC A01K 97/12; A01K 97/125
See application file for complete search history.

(56) **References Cited**

U.S. PATENT DOCUMENTS

- 4,120,112 A * 10/1978 McBain A01K 91/065
43/19.2
- 4,660,317 A * 4/1987 Evans A01K 97/10
43/19.2
- 4,932,151 A * 6/1990 Cicha A01K 91/065
43/19.2
- 4,951,411 A * 8/1990 Ecker A01K 91/065
43/19.2
- 5,086,580 A * 2/1992 Redding A01K 91/065
43/19.2
- D338,056 S * 8/1993 Holland D22/134
- D363,970 S * 11/1995 Cutshaw D22/134
- 5,570,534 A * 11/1996 Ford A01K 91/065
43/15

- D401,995 S * 12/1998 Yamagata D22/134
- 6,401,380 B1 * 6/2002 McGonigal, Jr. A01K 91/065
43/19.2
- 6,920,714 B1 * 7/2005 Modglin A01K 91/065
43/19.2
- 2003/0131520 A1 * 7/2003 Bagshaw A01K 97/125
43/17
- 2007/0068062 A1 * 3/2007 Zeglen A01K 97/12
43/17
- 2007/0266615 A1 * 11/2007 Norman A01K 91/065
43/19.2
- 2011/0095894 A1 * 4/2011 Gibson A01K 97/125
43/17

FOREIGN PATENT DOCUMENTS

- EP 2995579 3/2016
- WO 2016167712 10/2016
- WO 2016167713 10/2016

* cited by examiner

Primary Examiner — Catherine R Oliver-Garcia
(74) *Attorney, Agent, or Firm* — David Lingbeck

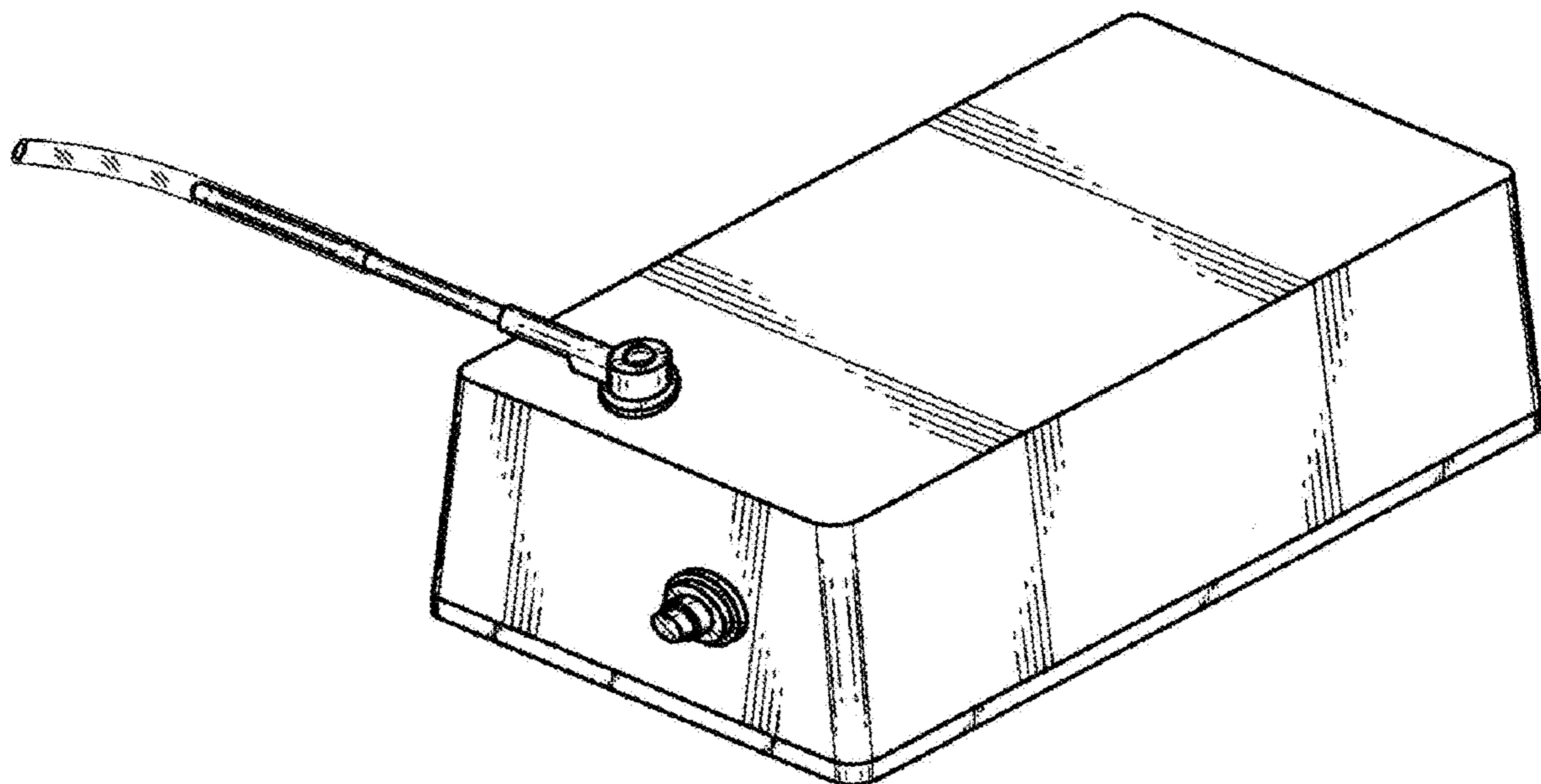
(57) **CLAIM**

The ornamental design for a fishing jigging mechanism, as shown and described.

DESCRIPTION

FIG. 1 is a top, front perspective view of the fishing jigging mechanism showing my new design.
FIG. 2 is a front elevation view thereof.
FIG. 3 is a back elevation view thereof.
FIG. 4 is a top plan view of thereof.
FIG. 5 is a bottom plan view thereof.
FIG. 6 is a left elevation view thereof; and,
FIG. 7 is a right elevation view thereof.

1 Claim, 7 Drawing Sheets



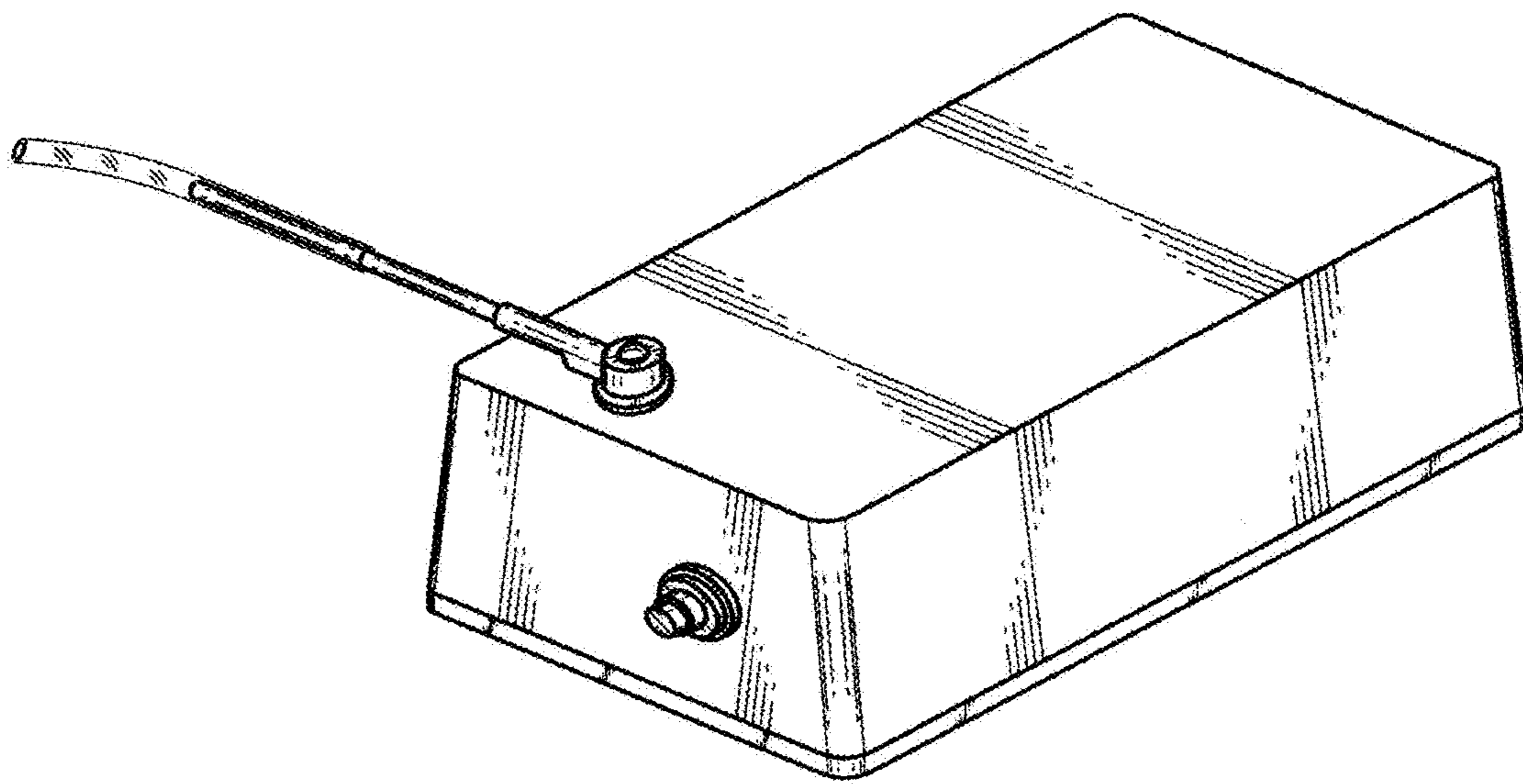


FIG. 1

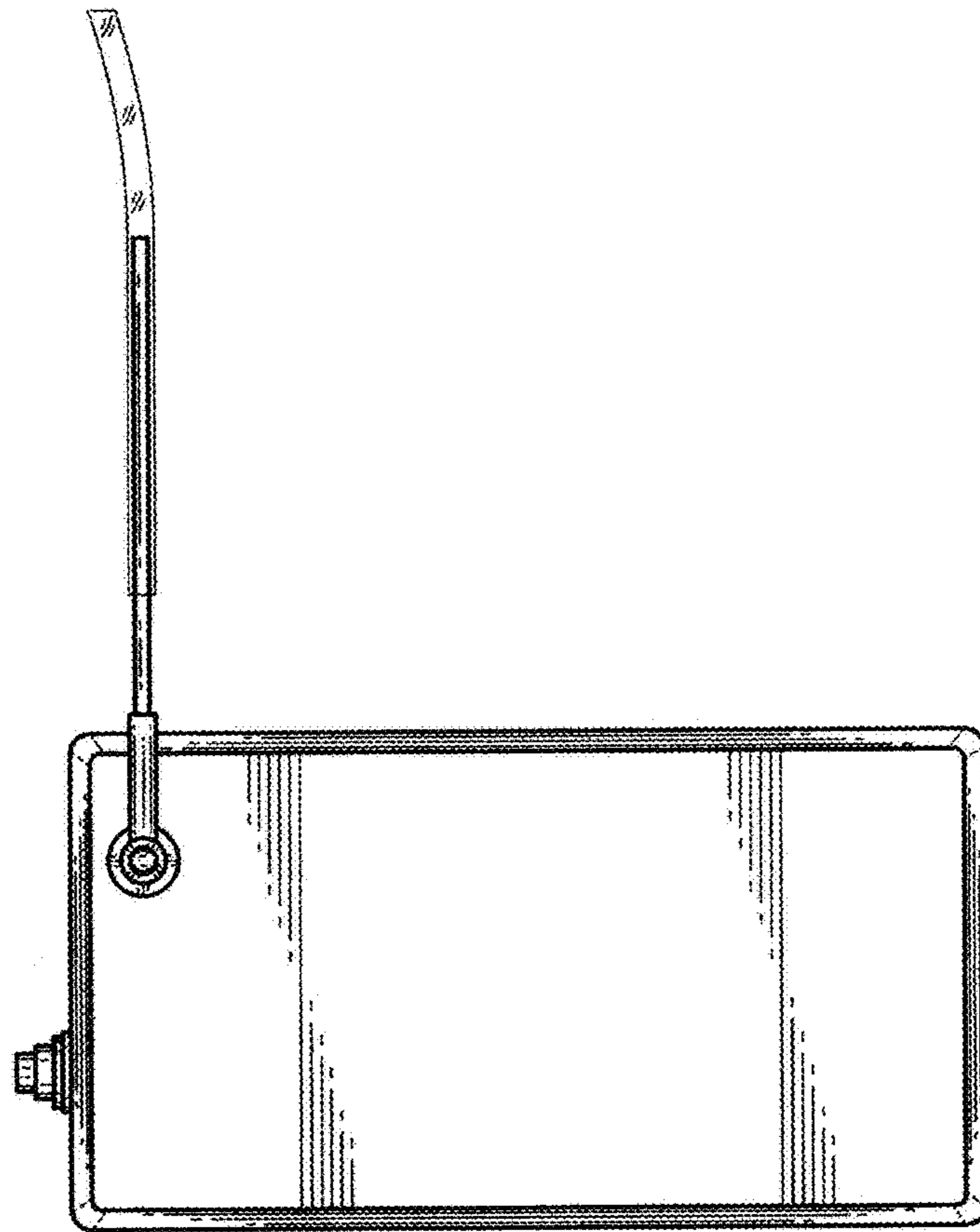


FIG. 2

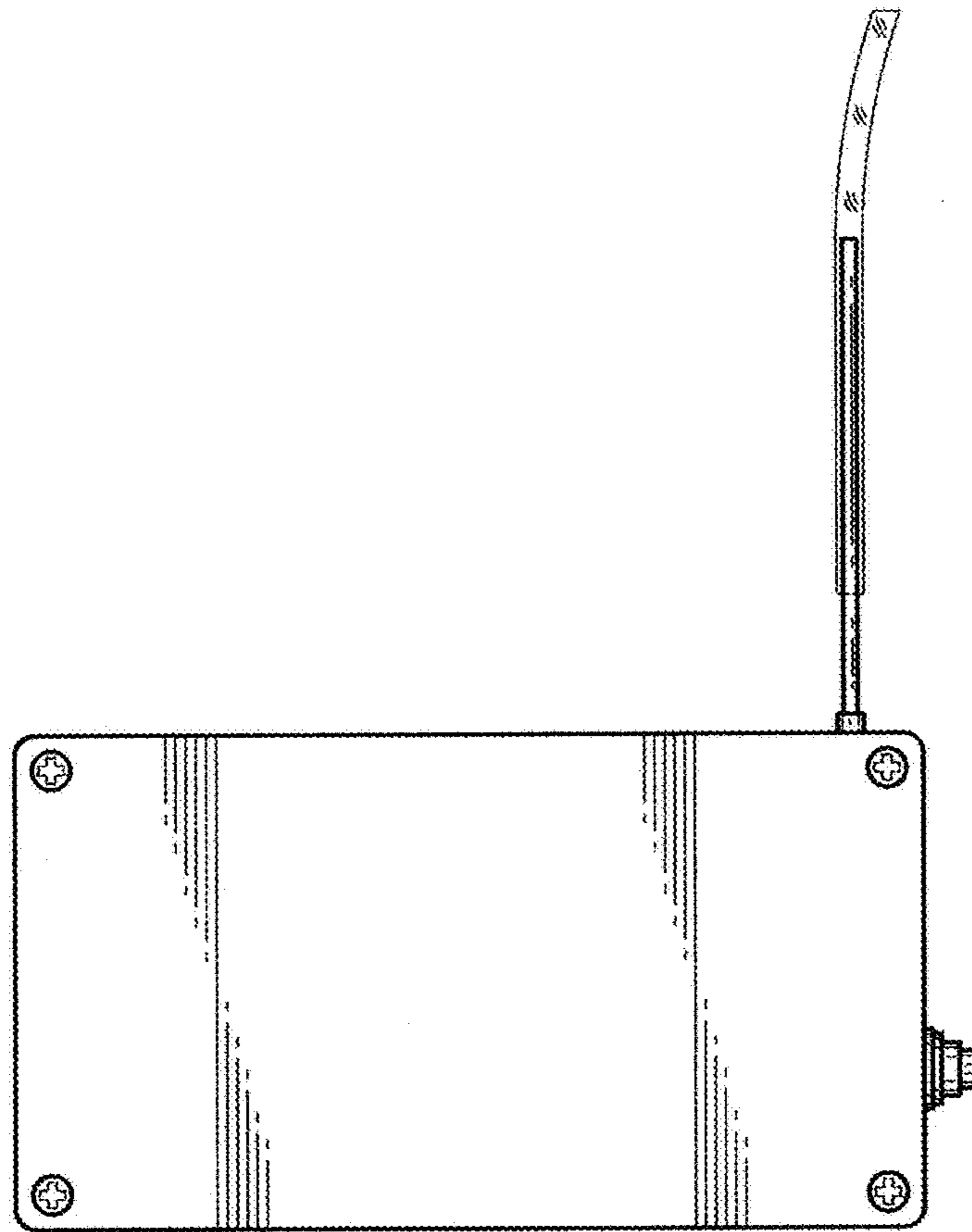


FIG. 3

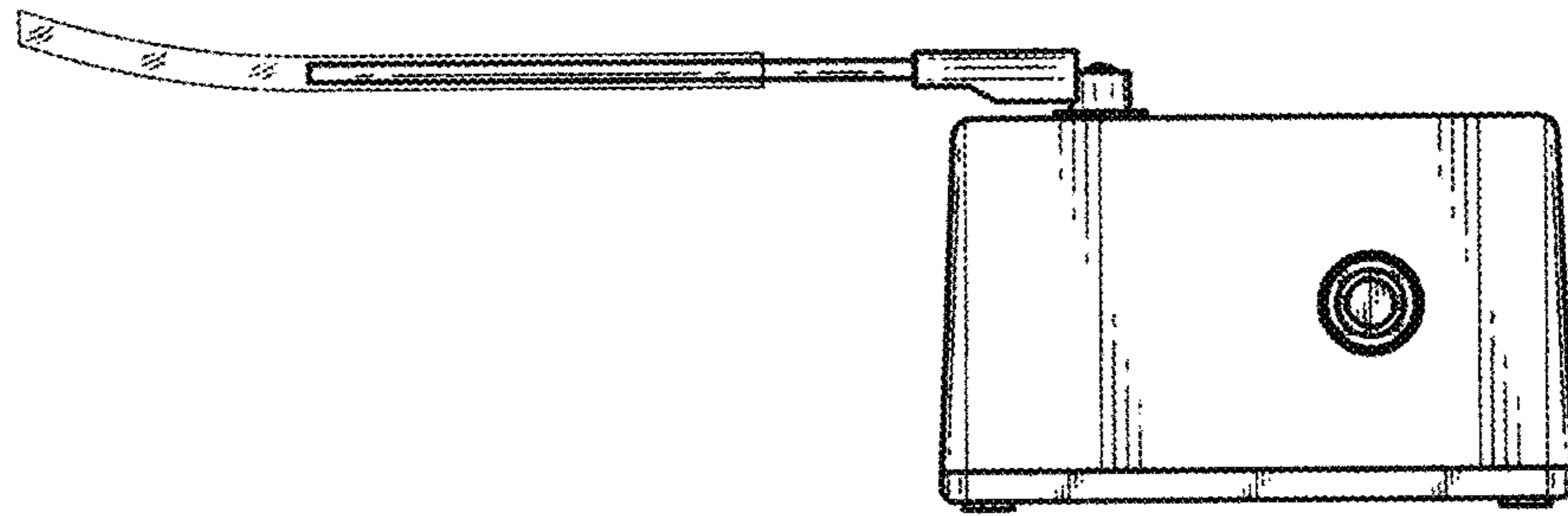


FIG. 4

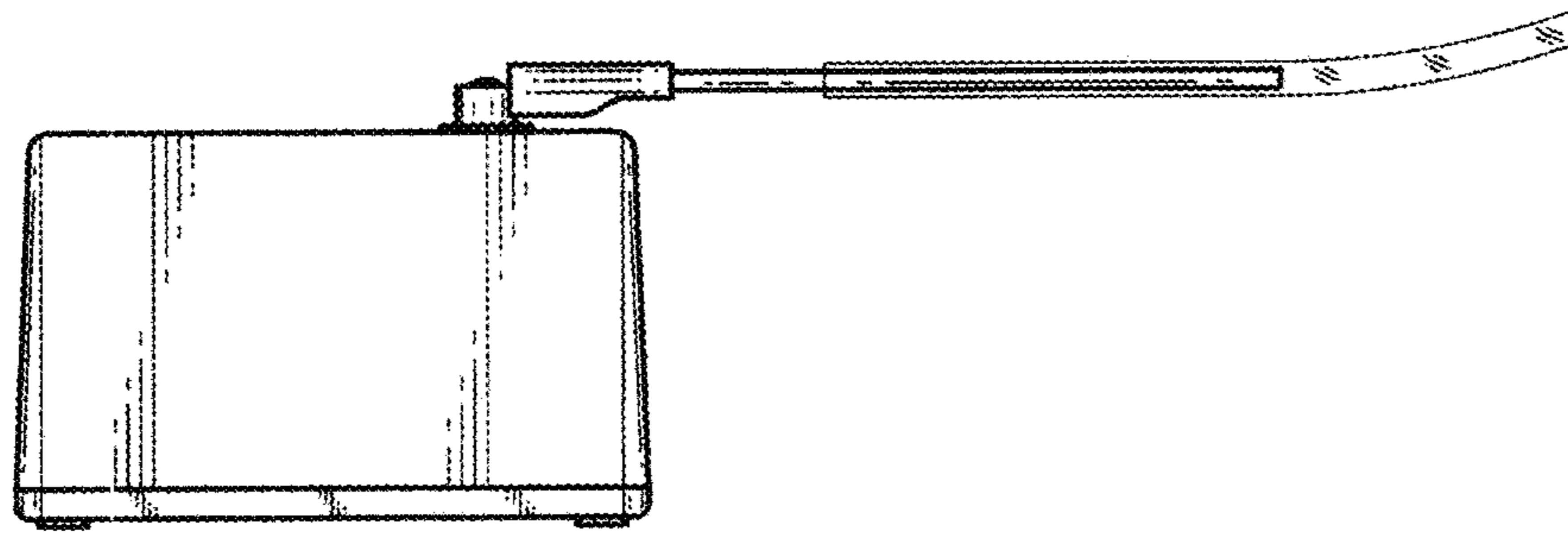


FIG. 5

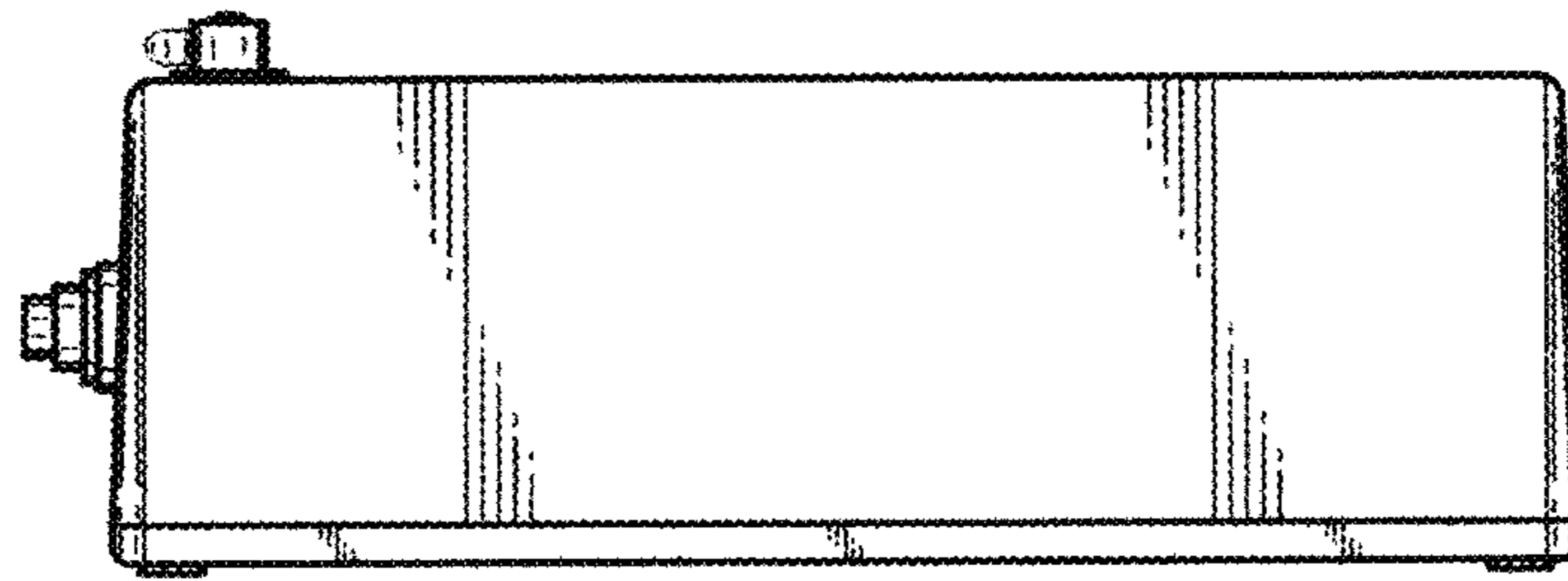


FIG. 6

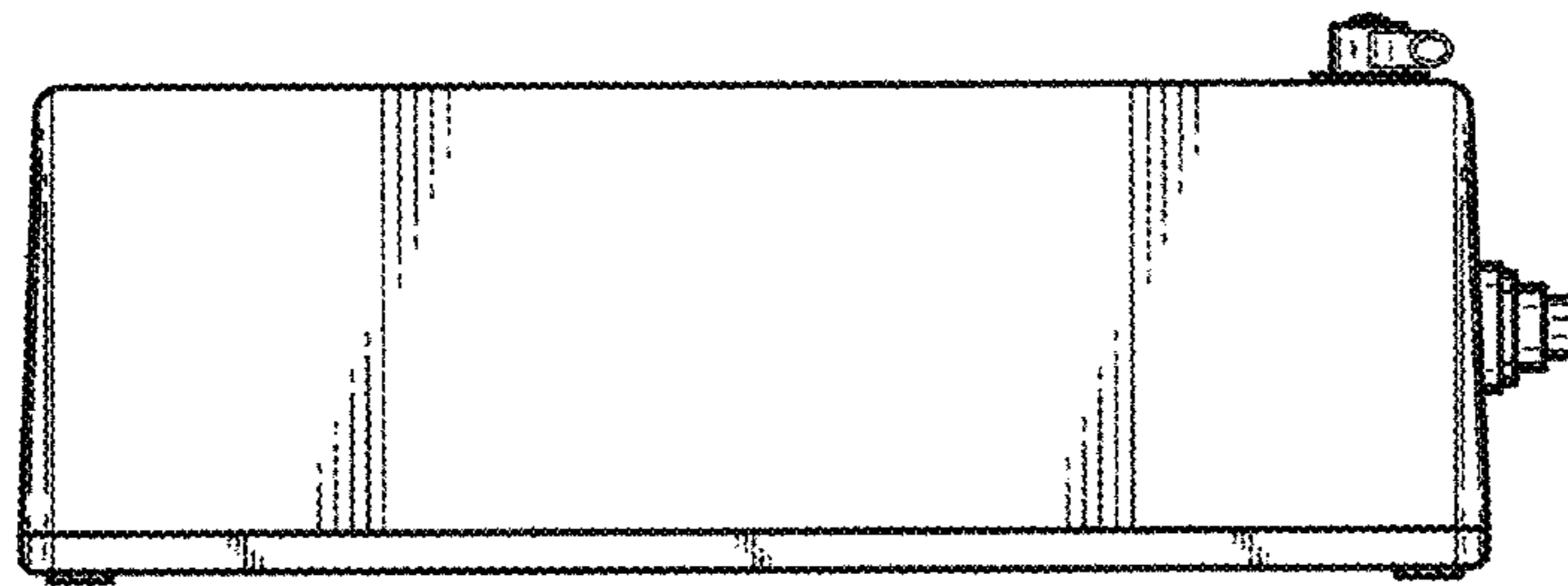


FIG. 7