



US00D869598S

(12) **United States Design Patent** (10) **Patent No.:** **US D869,598 S**  
**Gu** (45) **Date of Patent:** **\*\* Dec. 10, 2019**

(54) **PEST REPELLER**  
(71) Applicant: **Liujun Gu**, Shenzhen (CN)  
(72) Inventor: **Liujun Gu**, Shenzhen (CN)  
(\*\*) Term: **15 Years**  
(21) Appl. No.: **29/666,877**  
(22) Filed: **Oct. 16, 2018**  
(51) **LOC (12) Cl.** ..... **22-06**  
(52) **U.S. Cl.**  
USPC ..... **D22/120**  
(58) **Field of Classification Search**  
USPC ..... D22/119–124; D23/366–369;  
43/111–113, 124, 129, 131, 132.1, 144  
CPC ..... A01M 1/04; A01M 1/08; A01M 1/106;  
A01M 1/145; A01M 1/026; A01M  
1/2011; A01M 29/00; A01M 29/12;  
A01M 29/16; A01M 29/34; A01M 29/28;  
A01M 31/008; A01M 2200/011; A01M  
2200/012; A01N 25/201; A01N 37/44;  
A01N 43/16; A01N 49/00  
See application file for complete search history.

(56) **References Cited**  
U.S. PATENT DOCUMENTS

D779,626 S \* 2/2017 Hou ..... D22/120  
D780,878 S \* 3/2017 Zhang ..... D22/120

D829,848 S \* 10/2018 Gu ..... D22/120  
D829,876 S \* 10/2018 Arinsmier ..... D23/366  
D831,781 S \* 10/2018 Zhao ..... D22/120  
D836,748 S \* 12/2018 Gu ..... D22/120  
D841,114 S \* 2/2019 Savchenko ..... D22/123  
D847,296 S \* 4/2019 Gu ..... D22/120  
D852,312 S \* 6/2019 Gu ..... D22/120

\* cited by examiner

*Primary Examiner* — Catherine R Oliver-Garcia  
(74) *Attorney, Agent, or Firm* — Novoclaims Patent  
Services LLC; Mei Lin Wong

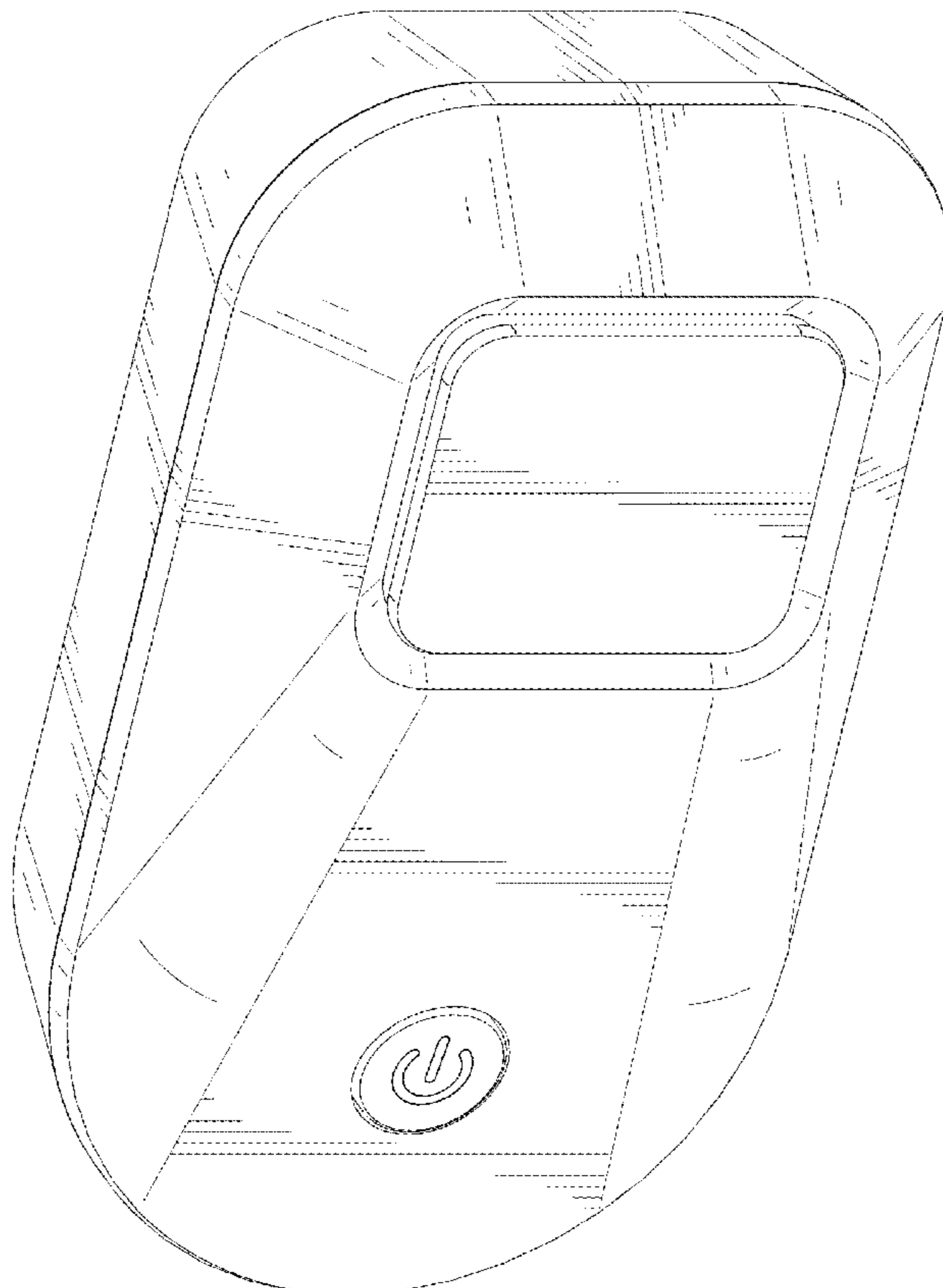
(57) **CLAIM**

The ornamental design for a pest repeller, as shown and described.

**DESCRIPTION**

FIG. 1 is a perspective view of a pest repeller, showing my new design.  
FIG. 2 is a rear perspective view thereof;  
FIG. 3 is a front view thereof;  
FIG. 4 is a rear view thereof;  
FIG. 5 is a left side view thereof;  
FIG. 6 is a right side view thereof;  
FIG. 7 is a top view thereof; and,  
FIG. 8 is a bottom view thereof.  
The broken lines in the drawings represent unclaimed portion of the pest repeller that form no part of the claimed design.

**1 Claim, 8 Drawing Sheets**



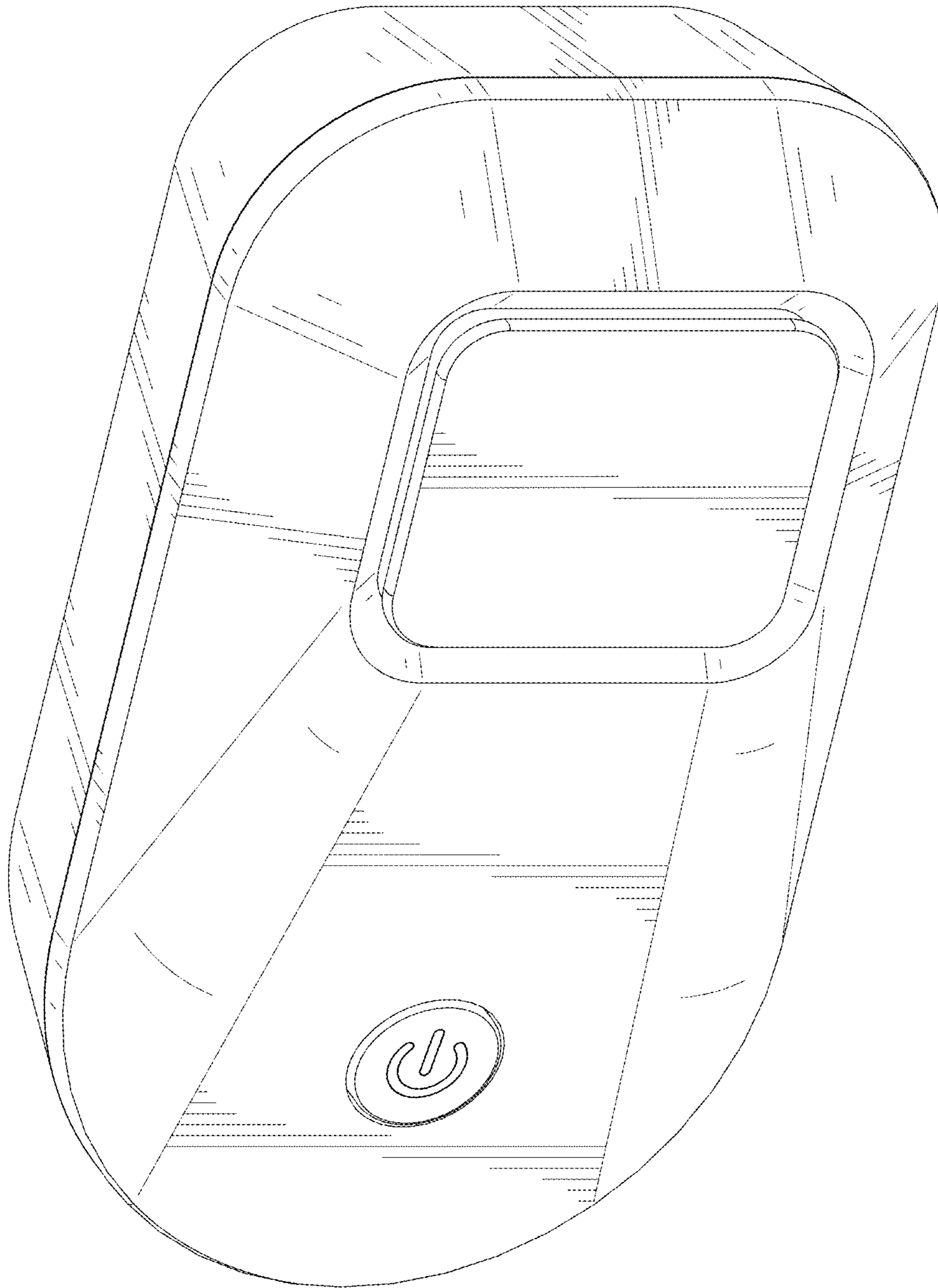


FIG.1

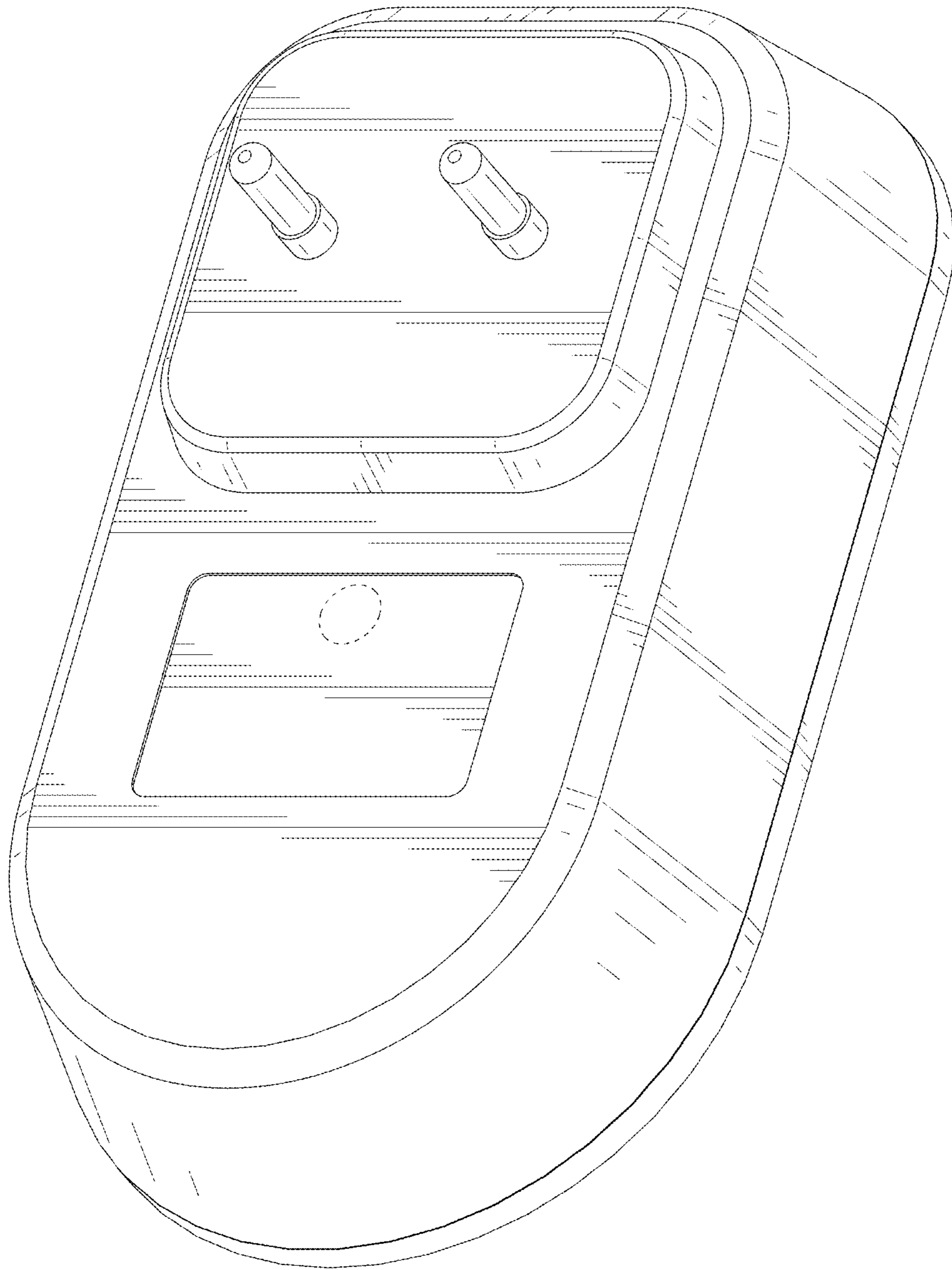


FIG.2

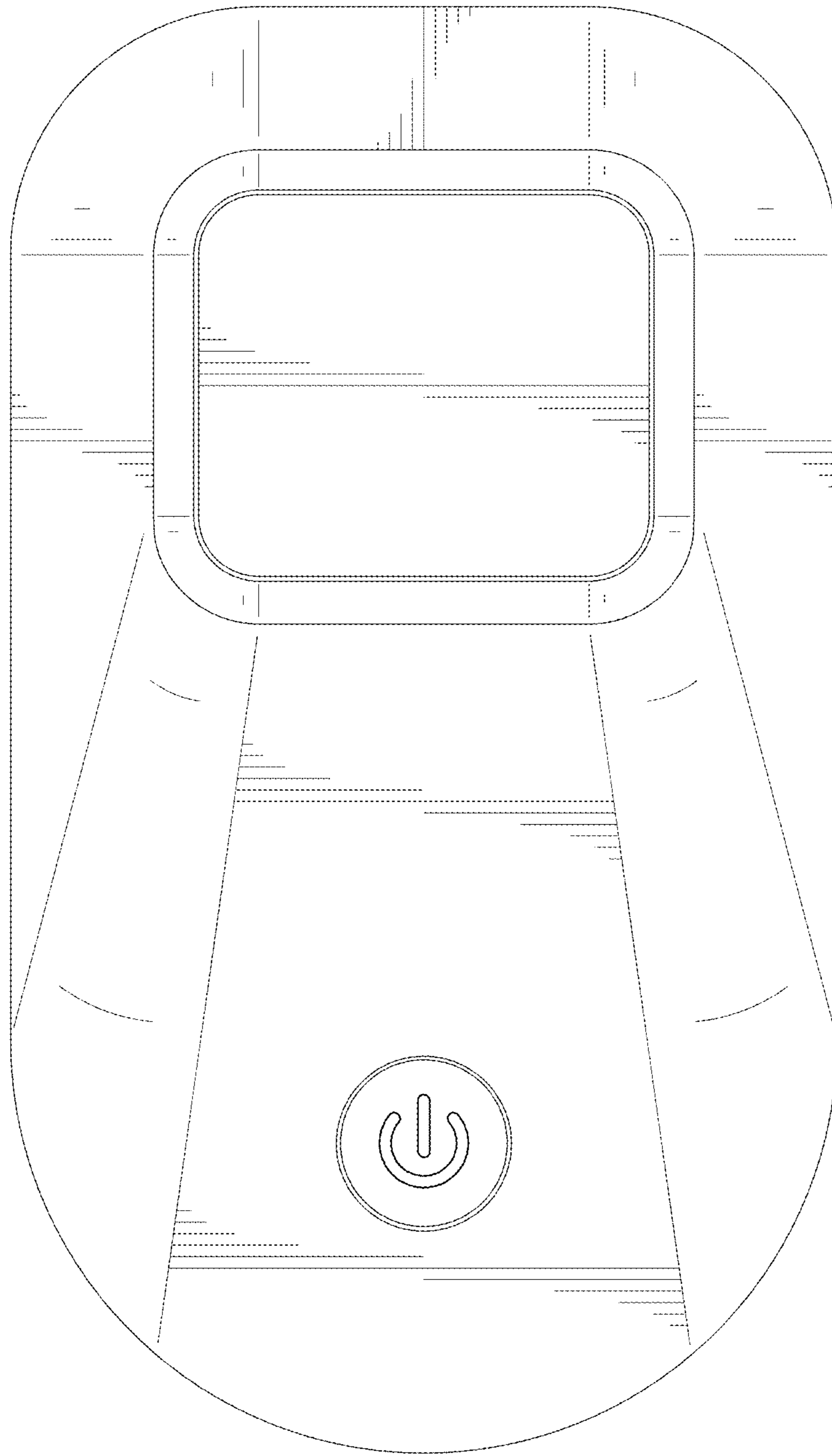


FIG.3

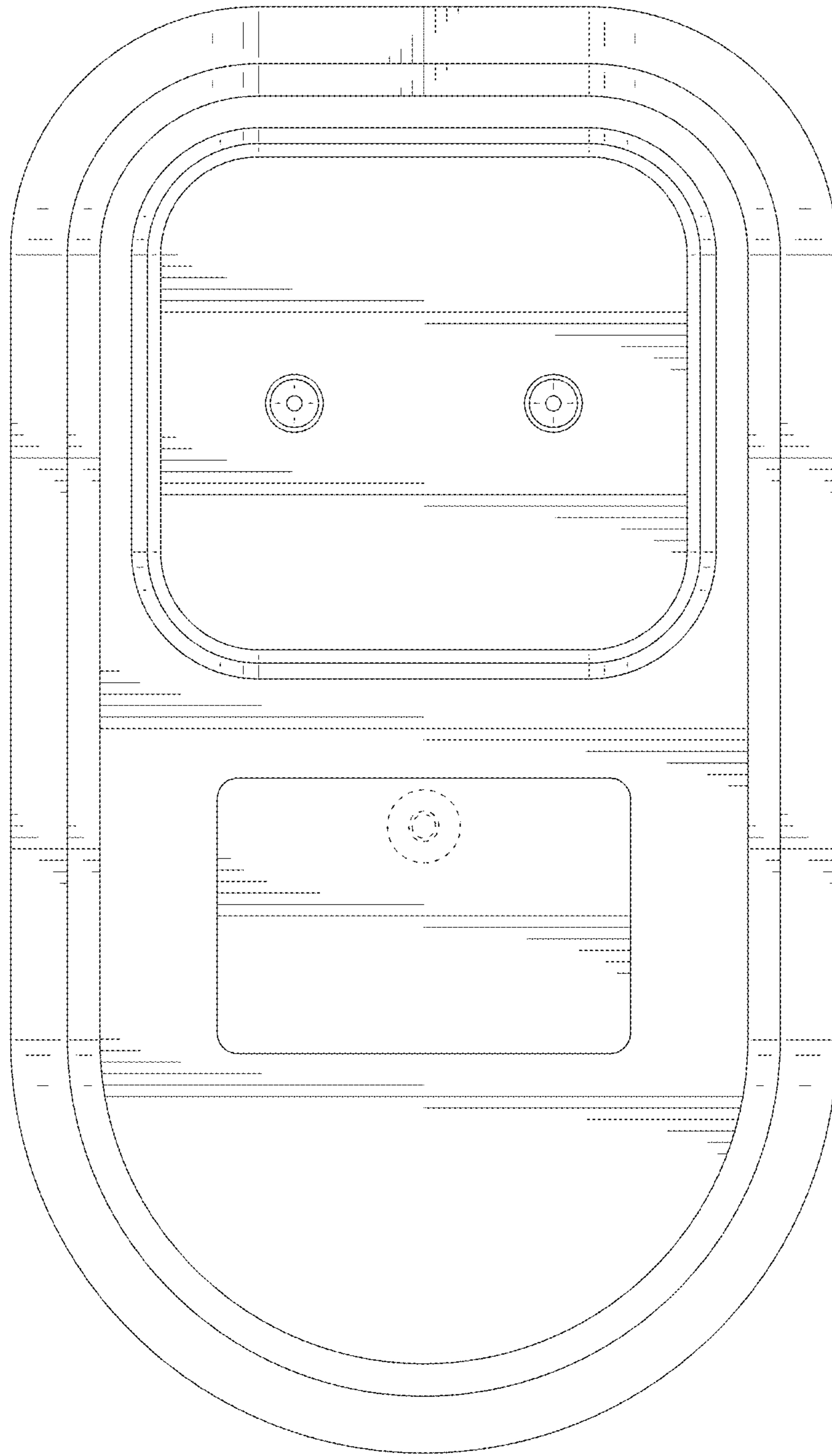


FIG.4

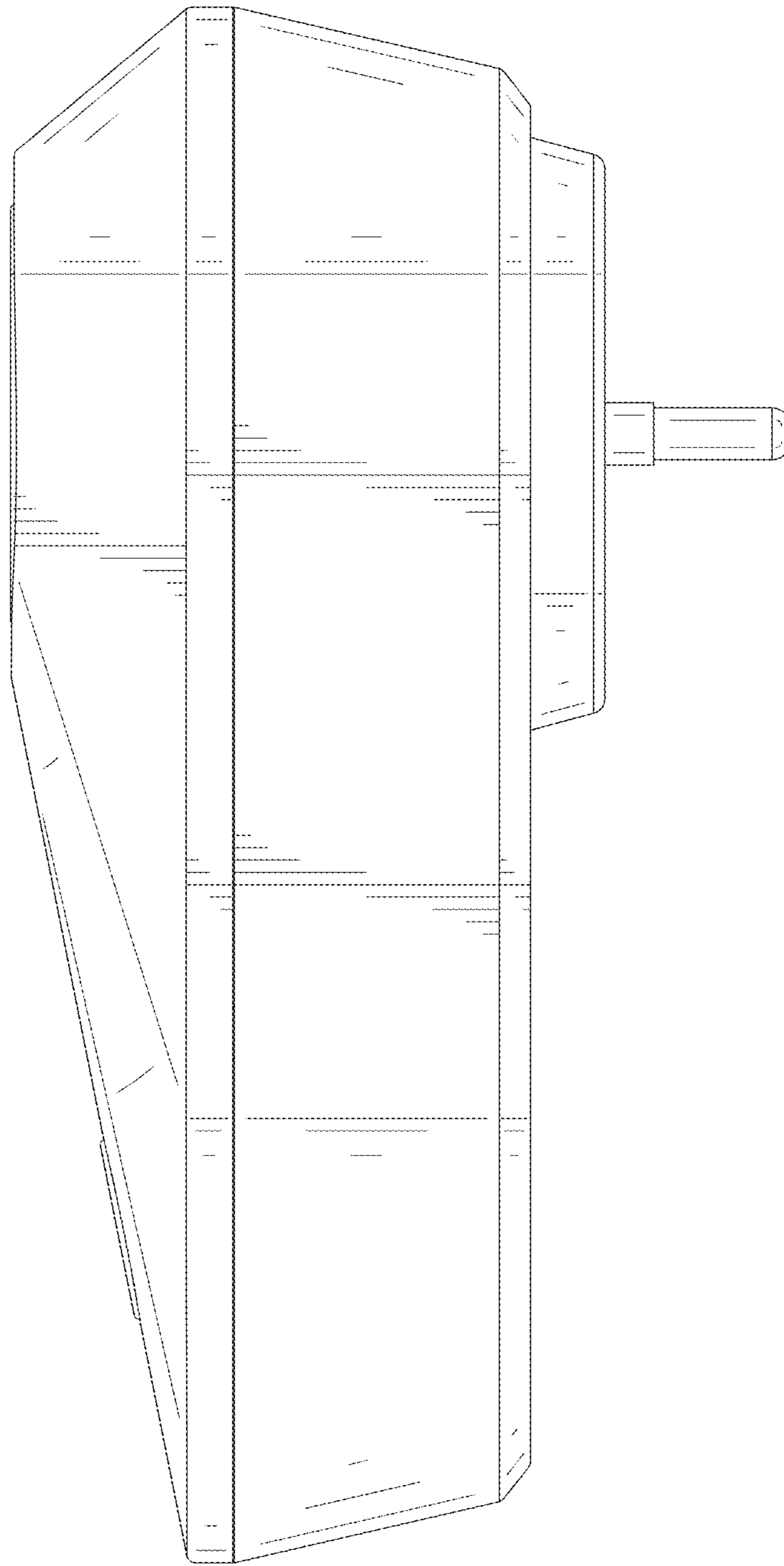


FIG.5

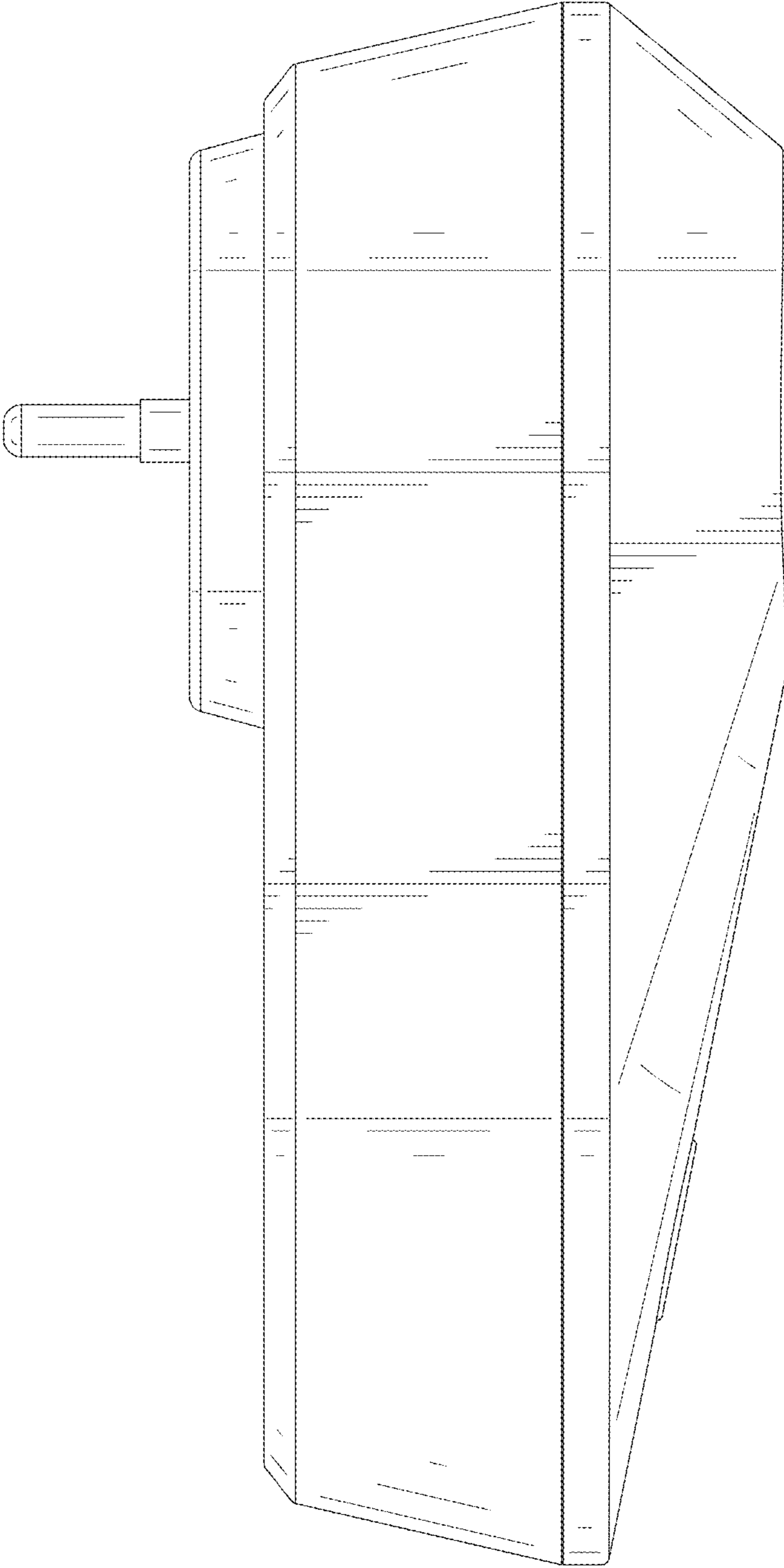


FIG.6

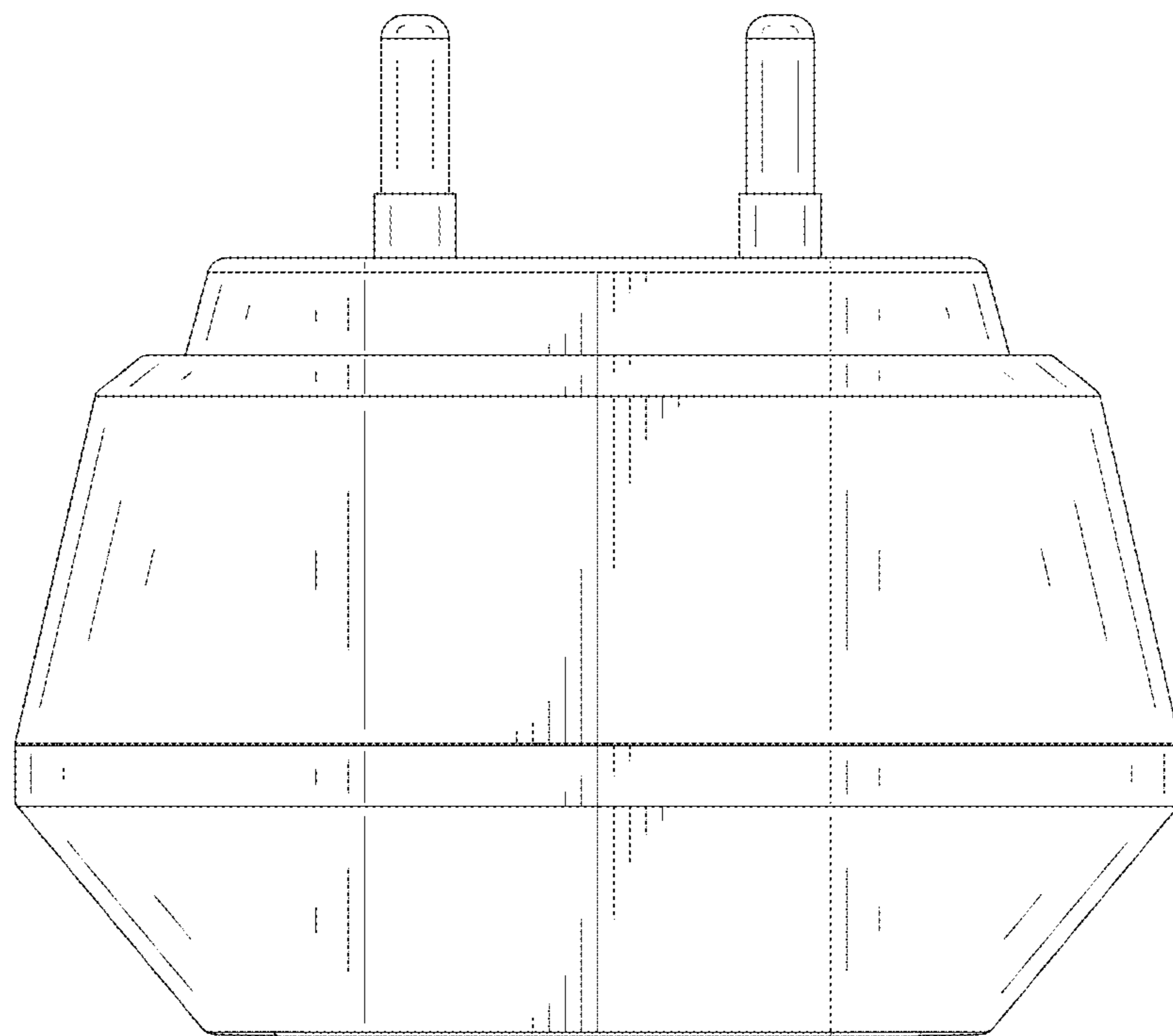


FIG.7



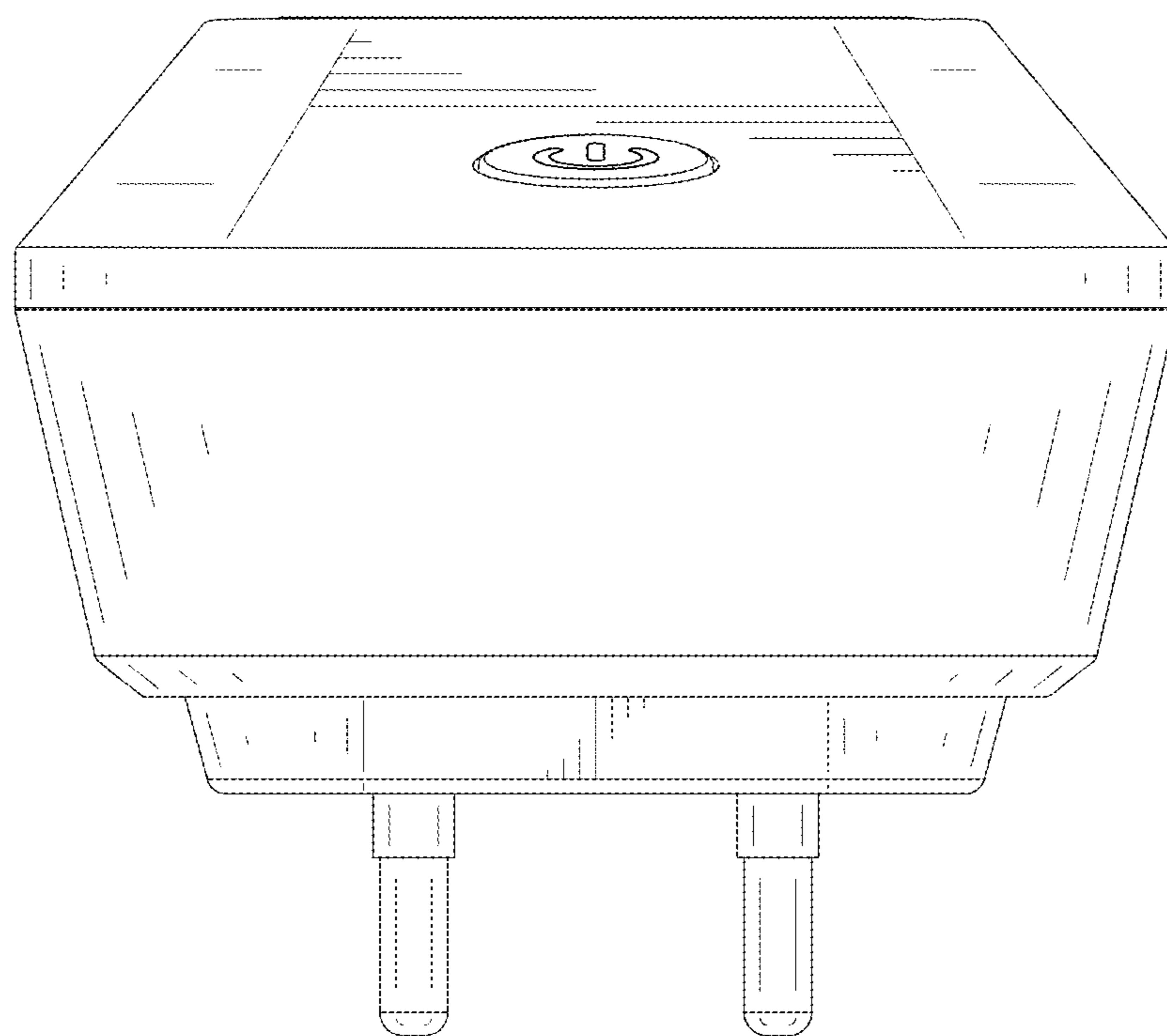


FIG.8