



US00D869597S

(12) **United States Design Patent** (10) **Patent No.:** **US D869,597 S**  
**Caballero Tapia et al.** (45) **Date of Patent:** **\*\* Dec. 10, 2019**

(54) **BRACELET FOR EMANATING OF VOLATILE SUBSTANCES**

(71) Applicant: **ZOBELE HOLDING SPA**, Trento (IT)

(72) Inventors: **Moisés Caballero Tapia**, Barcelona (ES); **Cedric Gobber**, Barcelona (ES); **Jorge Alejandro Martínez Uribe**, Barcelona (ES)

(73) Assignee: **ZOBELE HOLDING S.P.A.**, Trento (IT)

(\*\*) Term: **15 Years**

(21) Appl. No.: **29/645,828**

(22) Filed: **Apr. 30, 2018**

(30) **Foreign Application Priority Data**

Oct. 31, 2017 (ES) ..... 0526279

(51) **LOC (12) Cl.** ..... **22-06**

(52) **U.S. Cl.**  
USPC ..... **D22/119**; D3/201; D10/81; D28/91.1

(58) **Field of Classification Search**  
USPC ..... D10/47, 30-39, 65, 70, 78, 81, 97, 98;  
D3/201, 203.1, 215, 254, 262, 901, 904;  
D11/3; D14/138 R, 203.5, 203.6, 341,  
D14/344; D22/119; D24/167, 186;  
D28/91.1

CPC ..... A01M 7/0017; A01M 7/0021; A01M  
7/0046; A01M 9/0038; A01M 9/0046;  
A45D 34/00; A61M 35/10; A45F  
2003/006; A45F 2005/008; A45F  
2200/0591; B65D 37/00; A63B 2225/68

See application file for complete search history.

(56) **References Cited**

U.S. PATENT DOCUMENTS

D365,285	S *	12/1995	Nanayakkara	.....	D10/30
D503,894	S *	4/2005	Tu	.....	D10/30
D511,978	S *	11/2005	Wilson	.....	D10/30
7,316,332	B2 *	1/2008	Powers	.....	A45D 34/00 222/1
9,918,530	B2 *	3/2018	Bouganim	.....	A45C 1/04
9,961,869	B1 *	5/2018	Corbin	.....	A01H 6/542
10,303,210	B2 *	5/2019	Mayer	.....	A45F 5/00
10,362,907	B2 *	7/2019	Holleron	.....	A47K 5/05
10,384,842	B2 *	8/2019	Kim	.....	B65D 53/02

\* cited by examiner

*Primary Examiner* — Antoine Duval Davis

(74) *Attorney, Agent, or Firm* — Ostrolenk Faber LLP

(57) **CLAIM**

The ornamental design for a bracelet for emanating of volatile substances, as shown and described.

**DESCRIPTION**

FIG. 1 is a top, right side and rear perspective view illustration of our new design for a device for emanating of a volatile substance;

FIG. 2 is a top view thereof;

FIG. 3 is a right side view thereof;

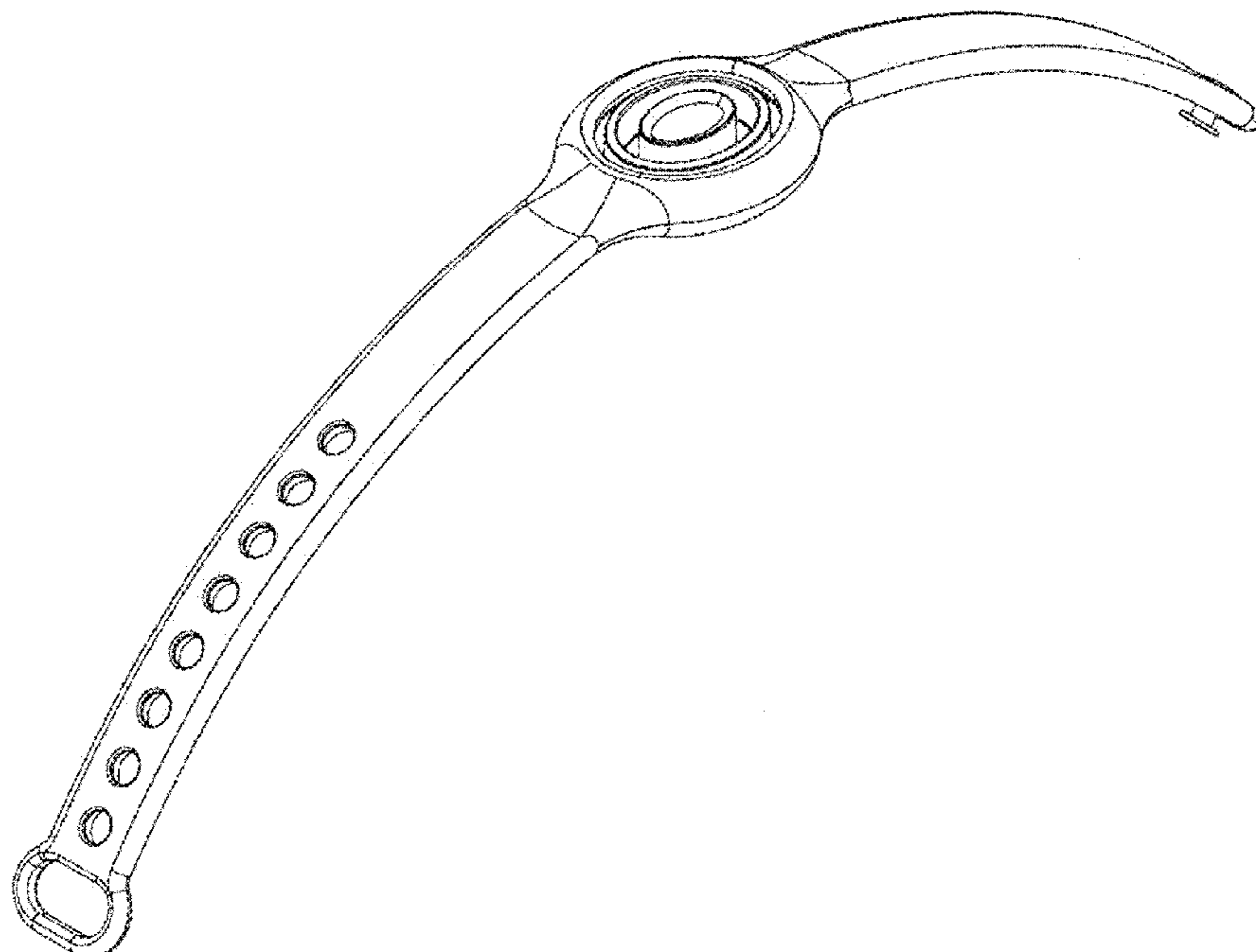
FIG. 4 is a bottom view thereof;

FIG. 5 is a front view thereof; and,

FIG. 6 is a rear view thereof.

The left side view is a mirror image of the right side view.

**1 Claim, 6 Drawing Sheets**



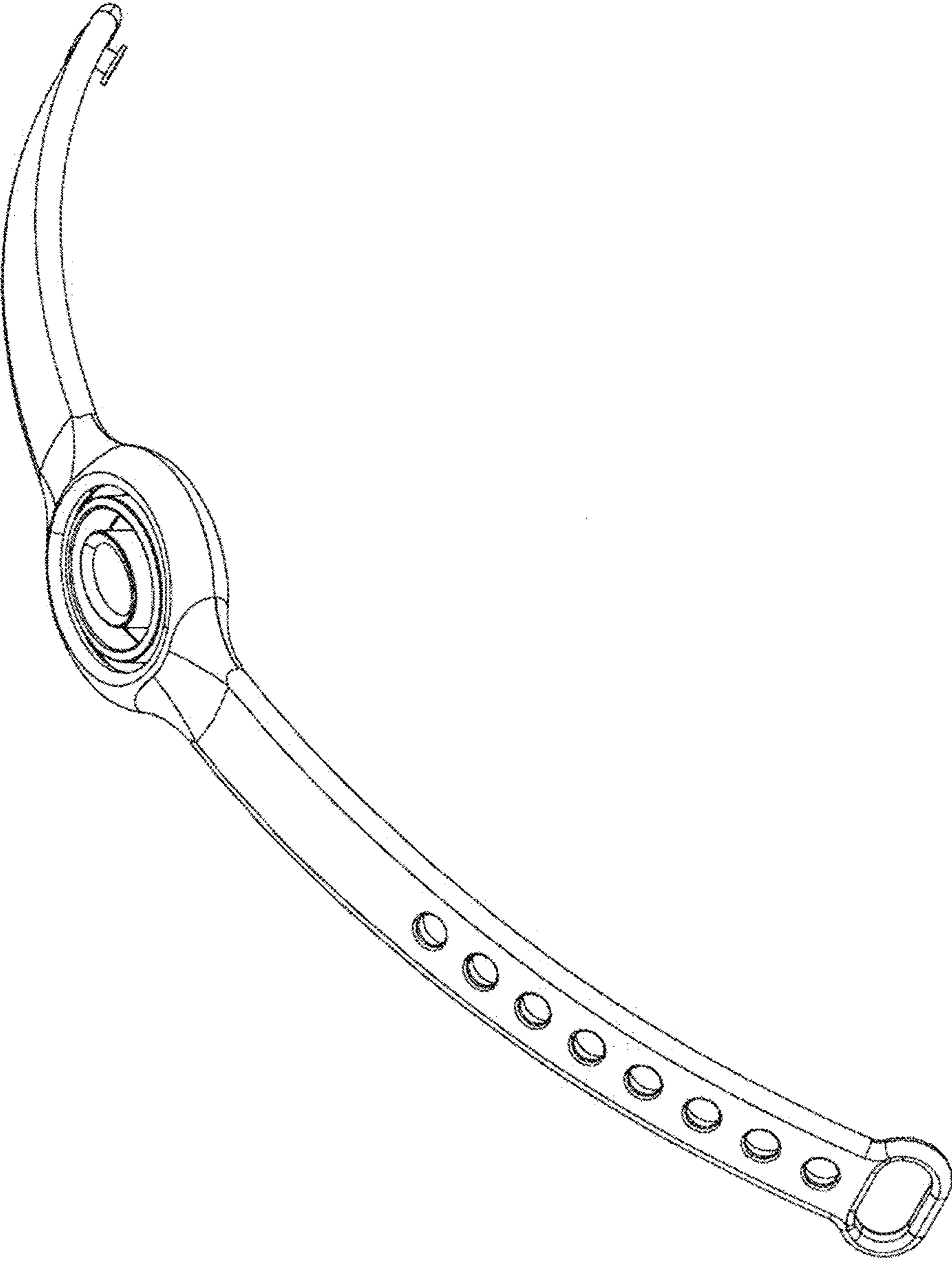


FIG. 1

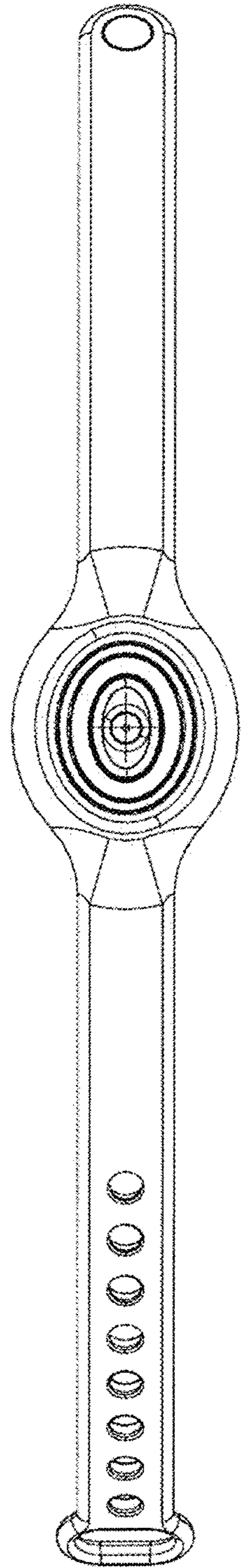


FIG. 2

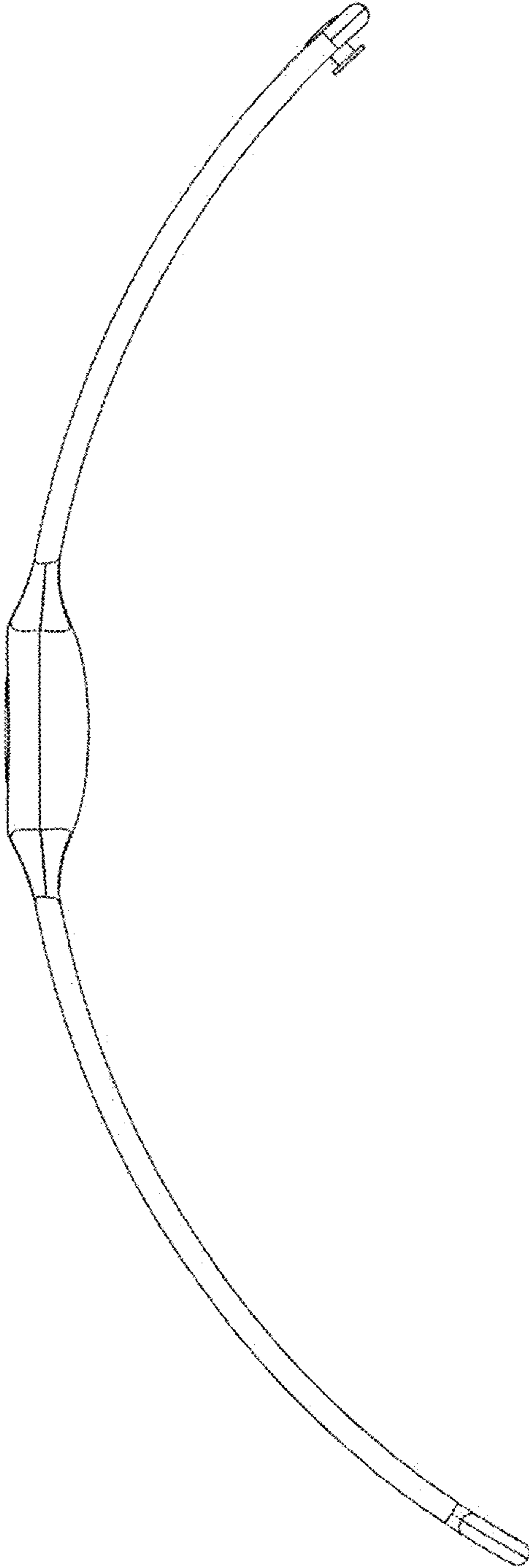


FIG. 3

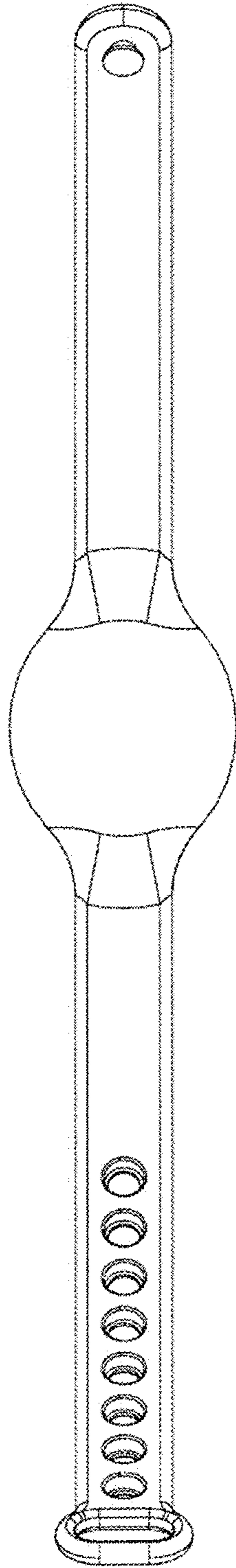


FIG. 4

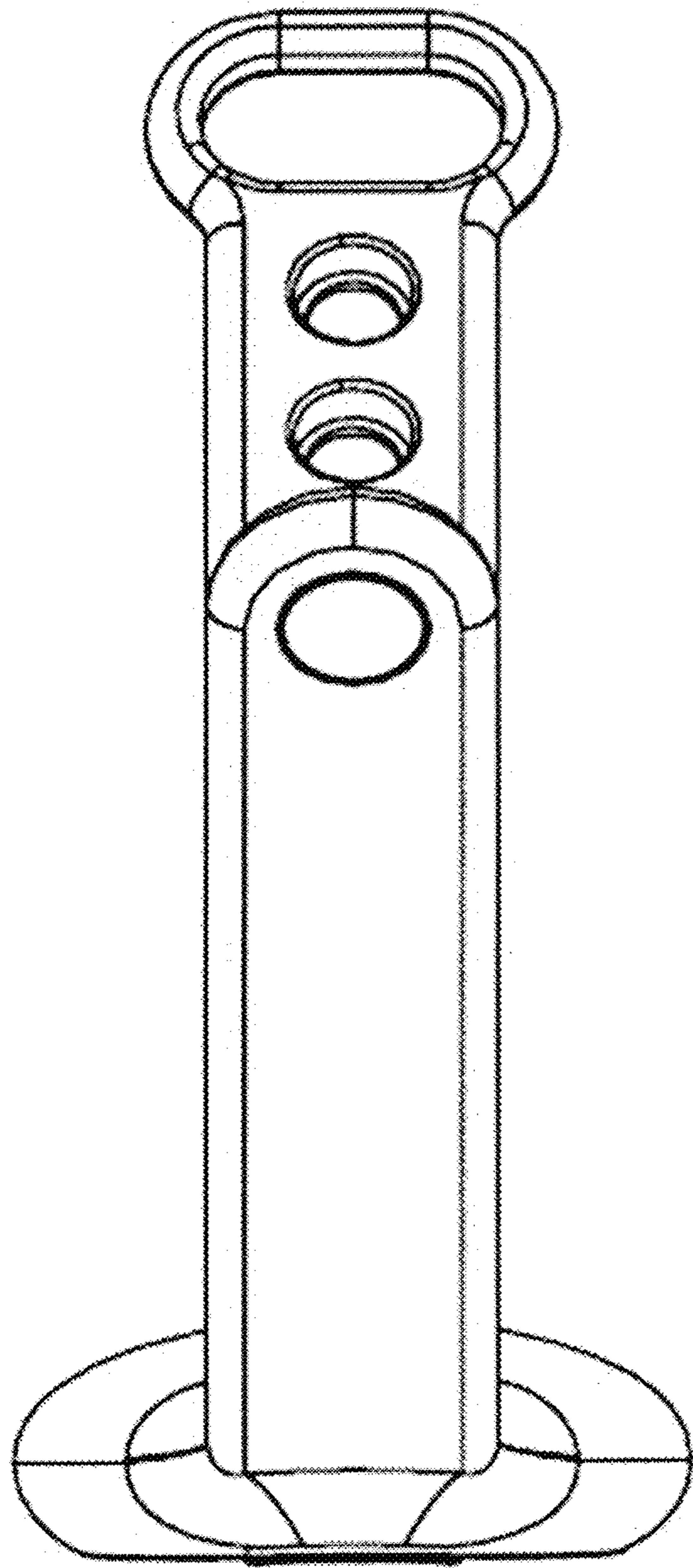


FIG. 5

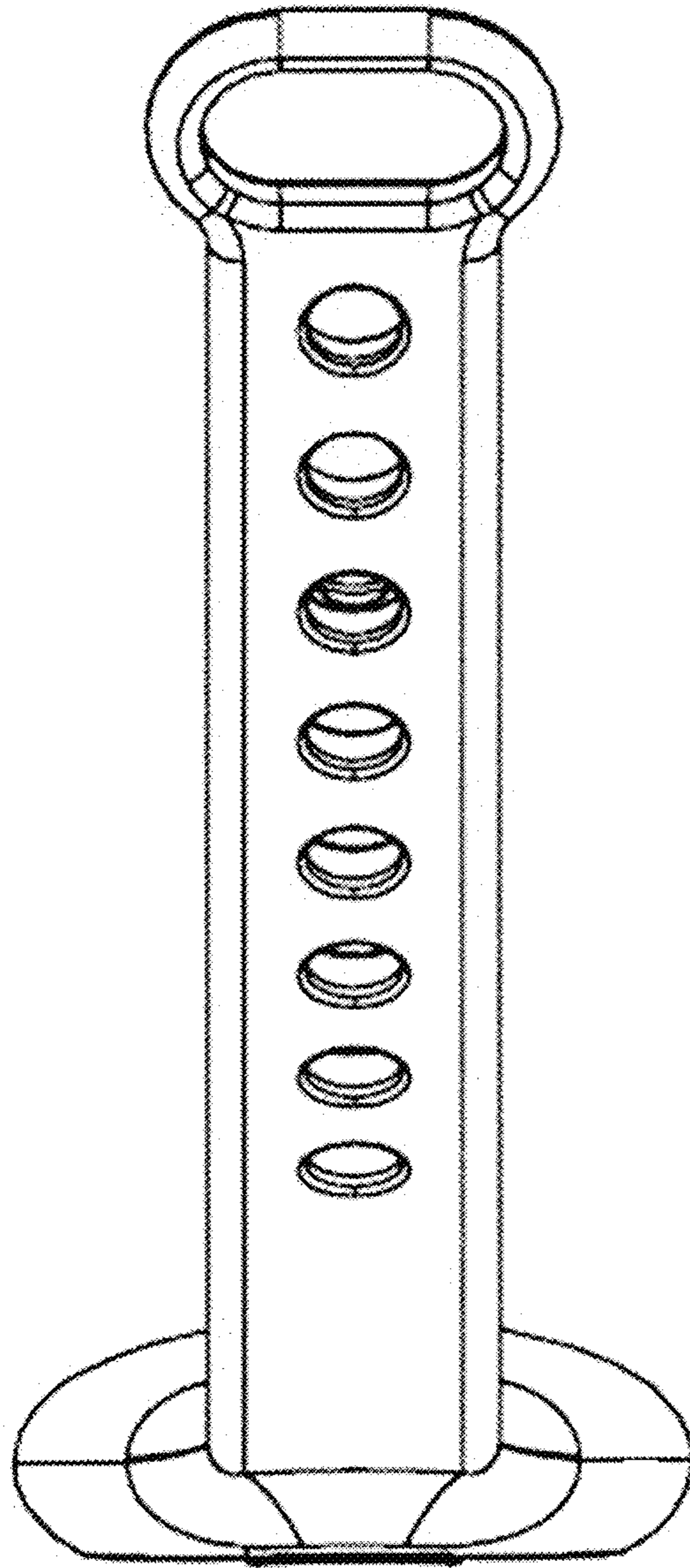


FIG. 6