



US00D869595S

(12) **United States Design Patent**
Cheng et al.

(10) **Patent No.:** **US D869,595 S**

(45) **Date of Patent:** **** Dec. 10, 2019**

(54) **EXTENDED MAGAZINE OUTER SLEEVE**

(71) Applicant: **KRISS INDUSTRIES ASIA LTD.**,
New Taipei (TW)

(72) Inventors: **Li-Te Cheng**, New Taipei (TW);
Yi-Chen Wu, New Taipei (TW)

(73) Assignee: **KRISS INDUSTRIES ASIA LTD.**,
New Taipei (TW)

(**) Term: **15 Years**

(21) Appl. No.: **29/648,127**

(22) Filed: **May 18, 2018**

(51) **LOC (12) Cl.** **22-01**

(52) **U.S. Cl.**
USPC **D22/108**

(58) **Field of Classification Search**
USPC D22/100, 101, 102, 103, 104, 105, 106,
D22/107, 108, 109, 110, 111, 115, 116,
D22/199; D21/300, 301, 302, 306, 334,
D21/335, 443, 571, 573-575, 746
CPC F41C 23/14; F41C 23/20; F41C 23/04;
F41C 23/00; F41C 23/10; F41C 27/00;
F41C 7/00; F41C 23/06; F41C 3/00;
F41B 5/10; F41B 5/14; F41B 5/0094;
F41B 5/1469; F41B 5/00
See application file for complete search history.

(56) **References Cited**

U.S. PATENT DOCUMENTS

5,461,811	A *	10/1995	Ciener	F41A 9/65
					42/49.02
8,713,835	B1 *	5/2014	Calvert	F41A 9/71
					42/49.01
D748,219	S *	1/2016	Kielsmeier	D22/108
D757,884	S *	5/2016	Kielsmeier	D22/108
D783,111	S *	4/2017	Hillis	D22/108
D810,223	S *	2/2018	Kielsmeier	D22/108
D834,130	S *	11/2018	Scheffer	D22/108

(Continued)

OTHER PUBLICATIONS

“KRISS USA Announce High Capacity 9mm and 10mm Glock® Magazine Extensions for SHOT Show 2019” [online]. kriss-usa.com . [Published on Jan. 15, 2019]. Retrieved from the Internet: <https://kriss-usa.com/press-release/428-kriss-usa-announce-high-capacity-9mm-and-10mm-glock-magazine-extensions>.*

(Continued)

Primary Examiner — Khawaja Anwar

Assistant Examiner — Mojtaba Tehrani

(74) *Attorney, Agent, or Firm* — Locke Lord LLP; Tim Tinkang Xia, Esq.

(57) **CLAIM**

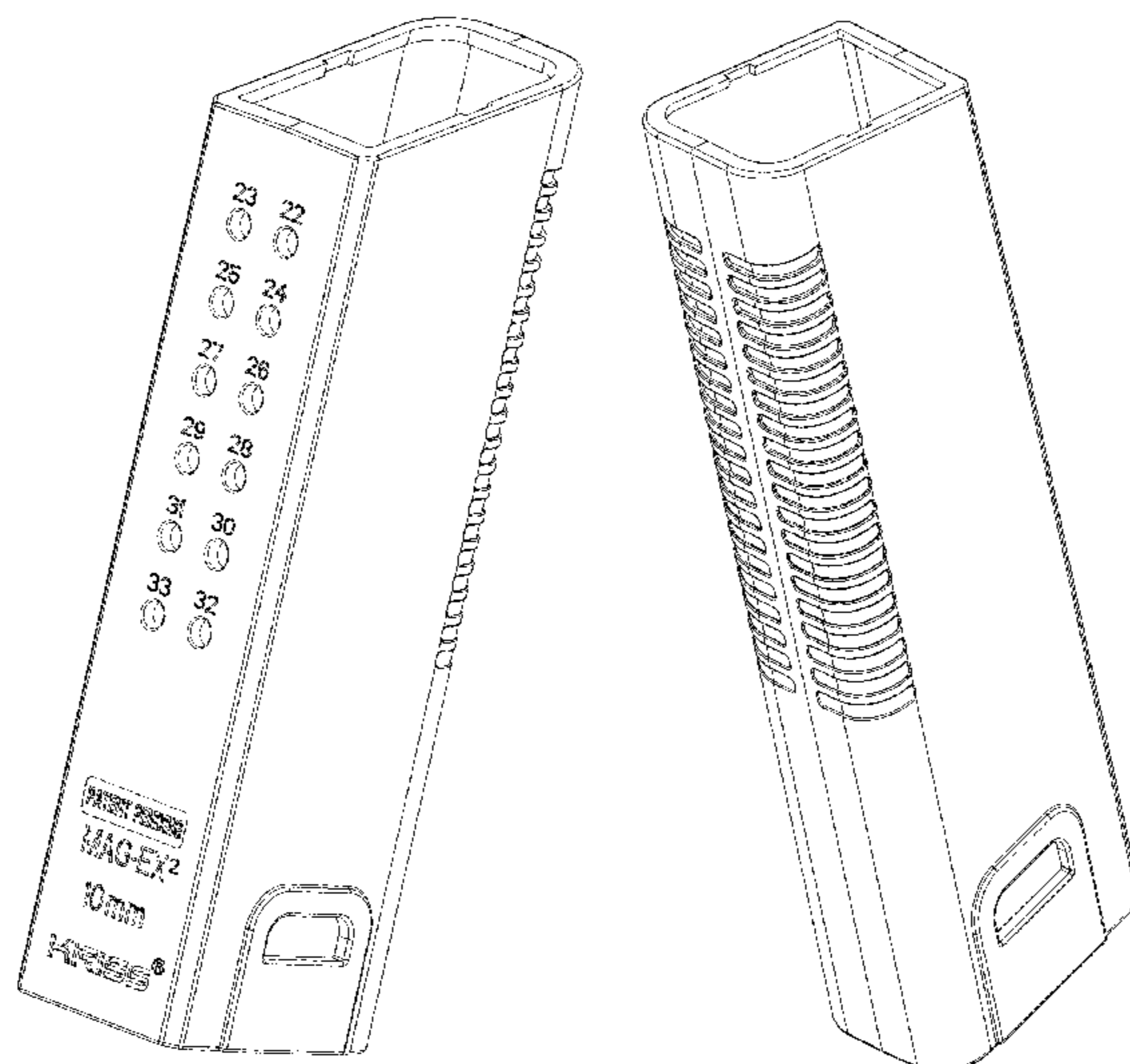
The ornamental design for an extended magazine outer sleeve, as shown and described.

DESCRIPTION

FIG. 1 is a perspective view of an extended magazine outer sleeve according to our new design; FIG. 2 is a perspective view thereof from another angle; FIG. 3 is a front view thereof; FIG. 4 is a rear view thereof; FIG. 5 is a left side view thereof; FIG. 6 is a right side view thereof; FIG. 7 is a top view thereof; FIG. 8 is a bottom view thereof; FIG. 9 is a use state reference view thereof; FIG. 10 is front view thereof; FIG. 11 is an enlarged isolated view of area “C” shown in FIG. 10; FIG. 12 is a rear view thereof; and, FIG. 13 is an enlarged isolated view of area “D” shown in FIG. 12.

The dash-dot broken line in the drawings depicts boundary of the enlarged views; the evenly broken line depicts unclaimed portion of the magazine outer sleeve. The broken lines form no part of the claimed design.

1 Claim, 13 Drawing Sheets



(56)

References Cited

U.S. PATENT DOCUMENTS

2013/0227870 A1* 9/2013 Rendulic F41A 9/65
42/50
2015/0192377 A1* 7/2015 Larson, Jr. F41A 9/70
42/50

OTHER PUBLICATIONS

“MBX PCC Competition Extension” [online]. Mr. Race Gun.
[Published on Oct. 13, 2017]. Retrieved from the Internet: <<https://www.youtube.com/watch?v=5APQJj10-r4>>.*

* cited by examiner

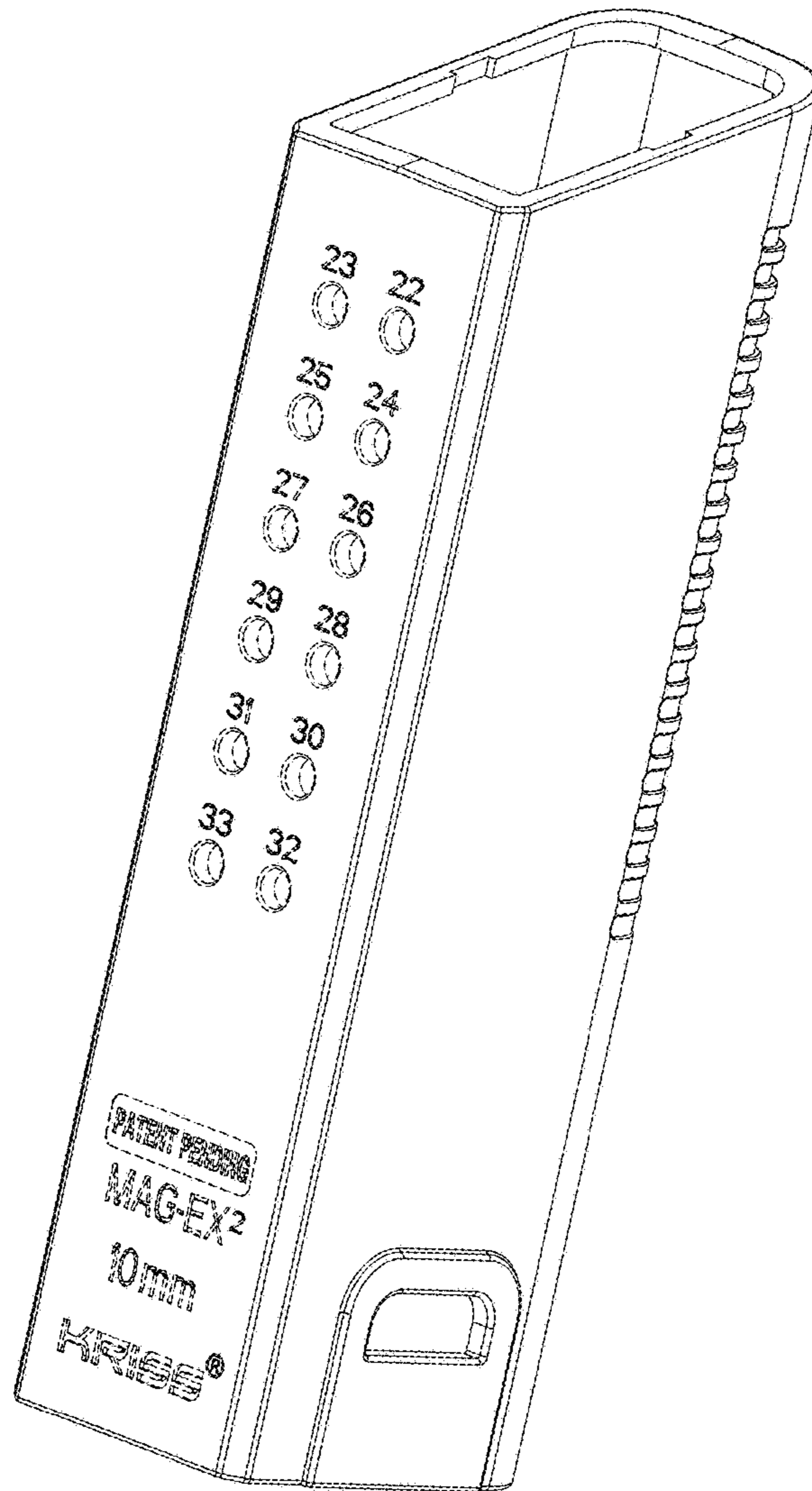


Fig. 1

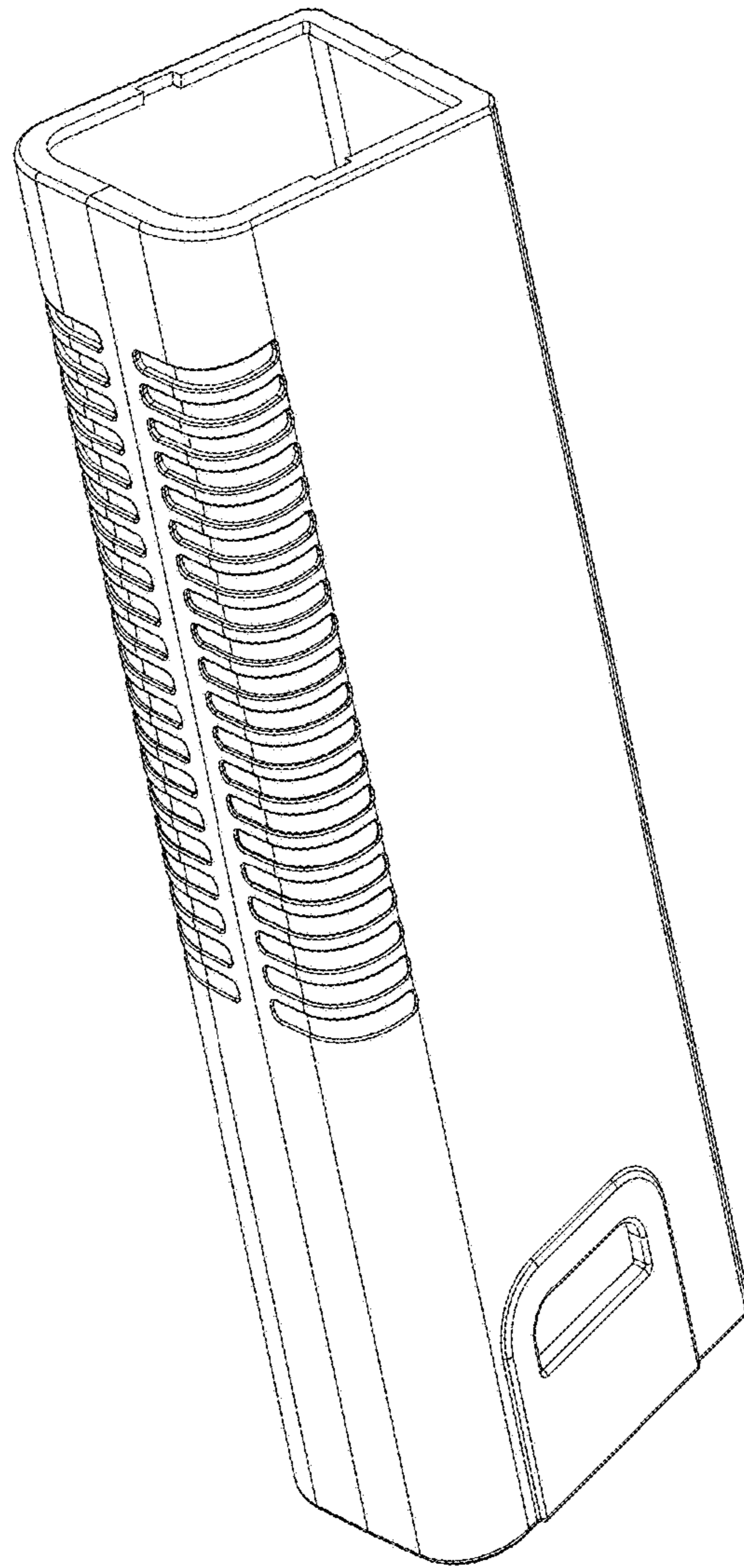


Fig. 2

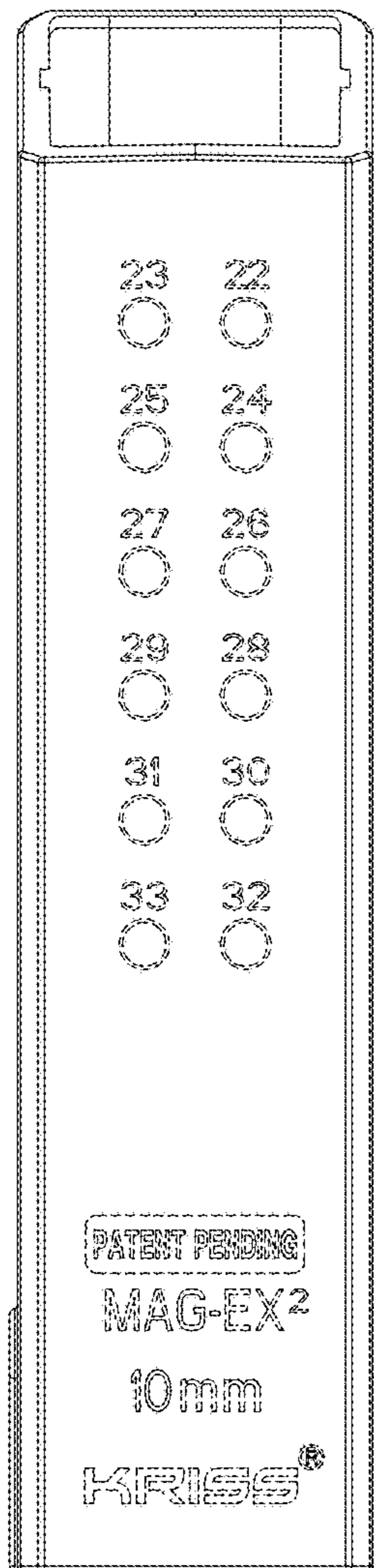


Fig. 3

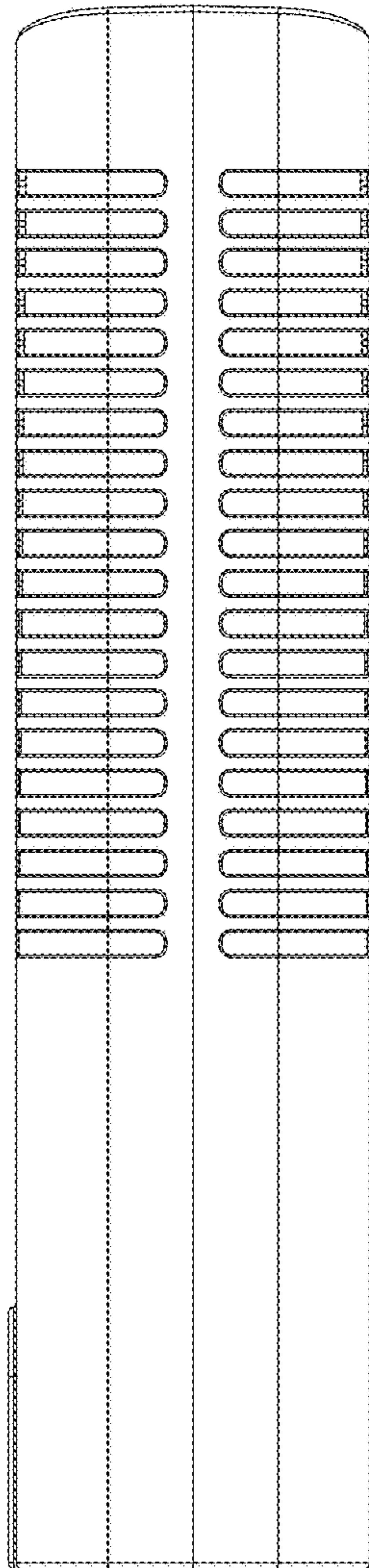


Fig. 4

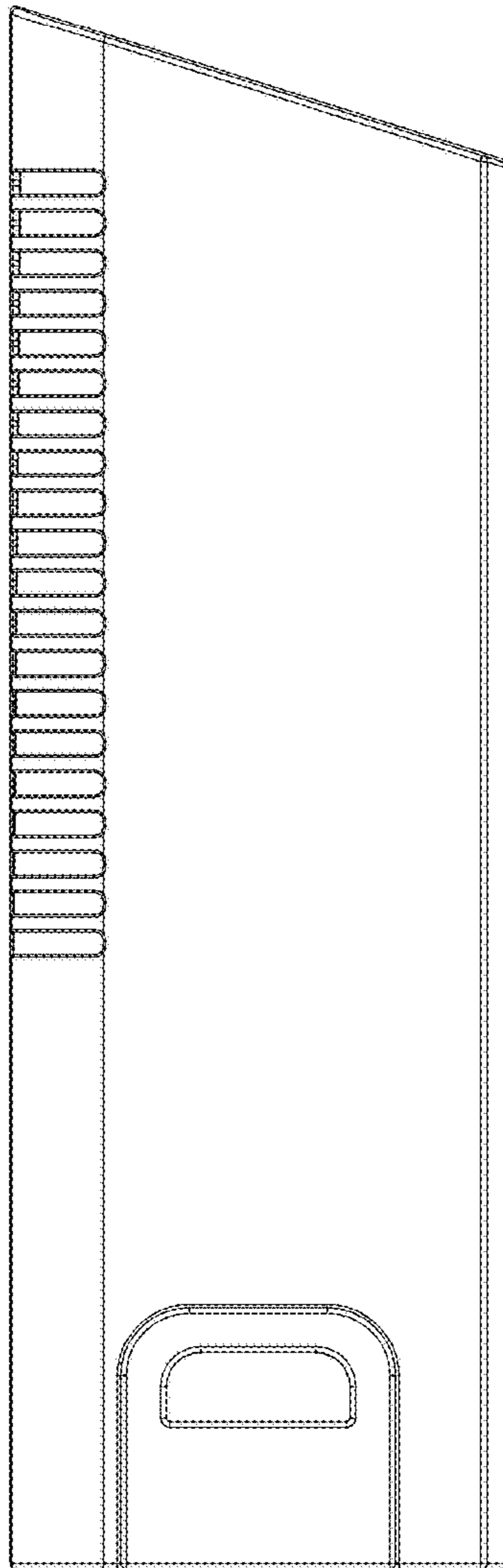


Fig. 5

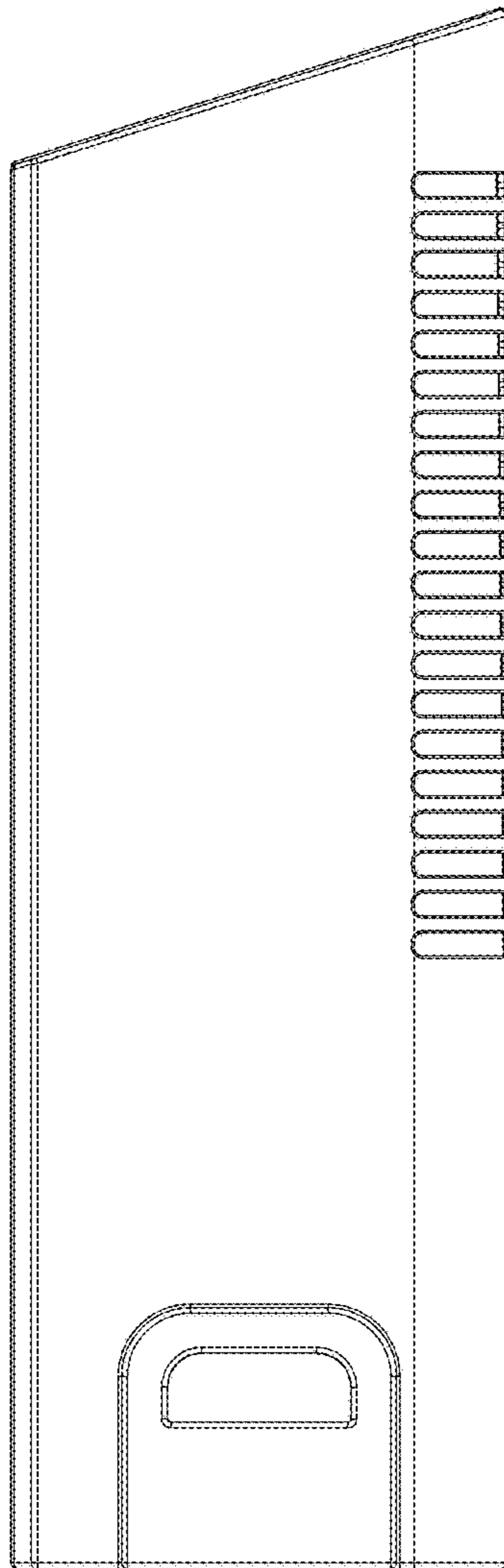


Fig. 6

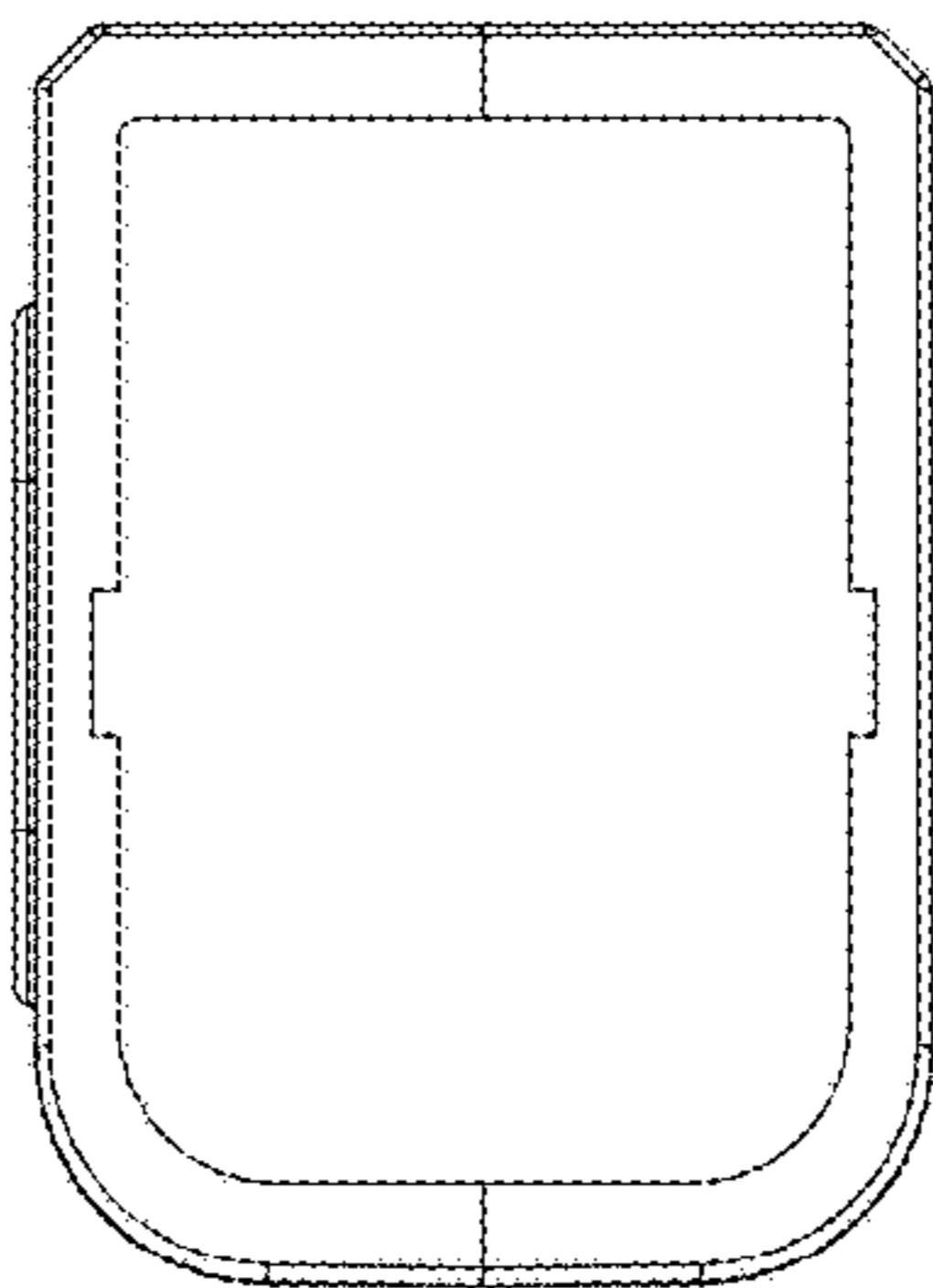


Fig. 7

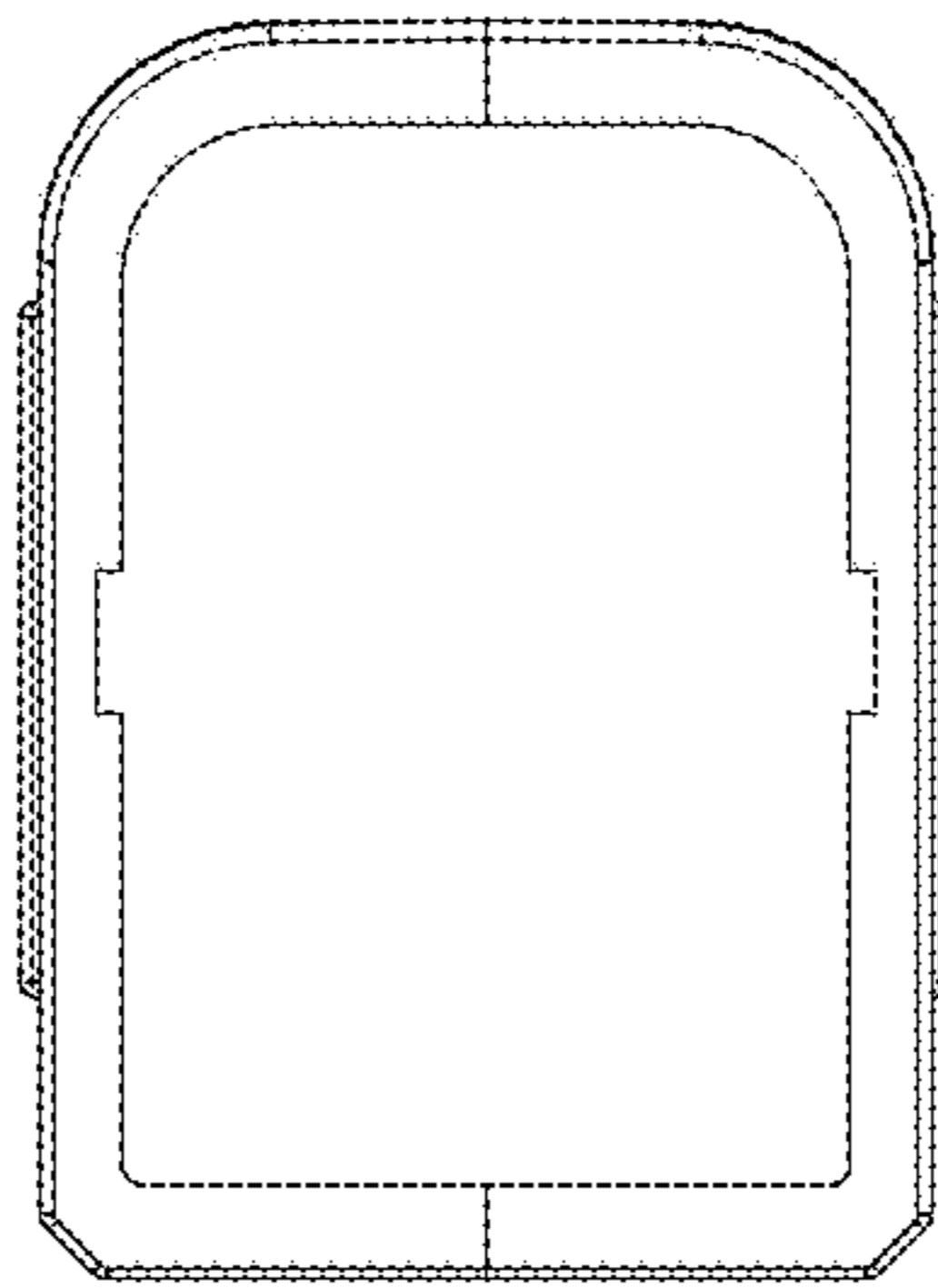


Fig. 8

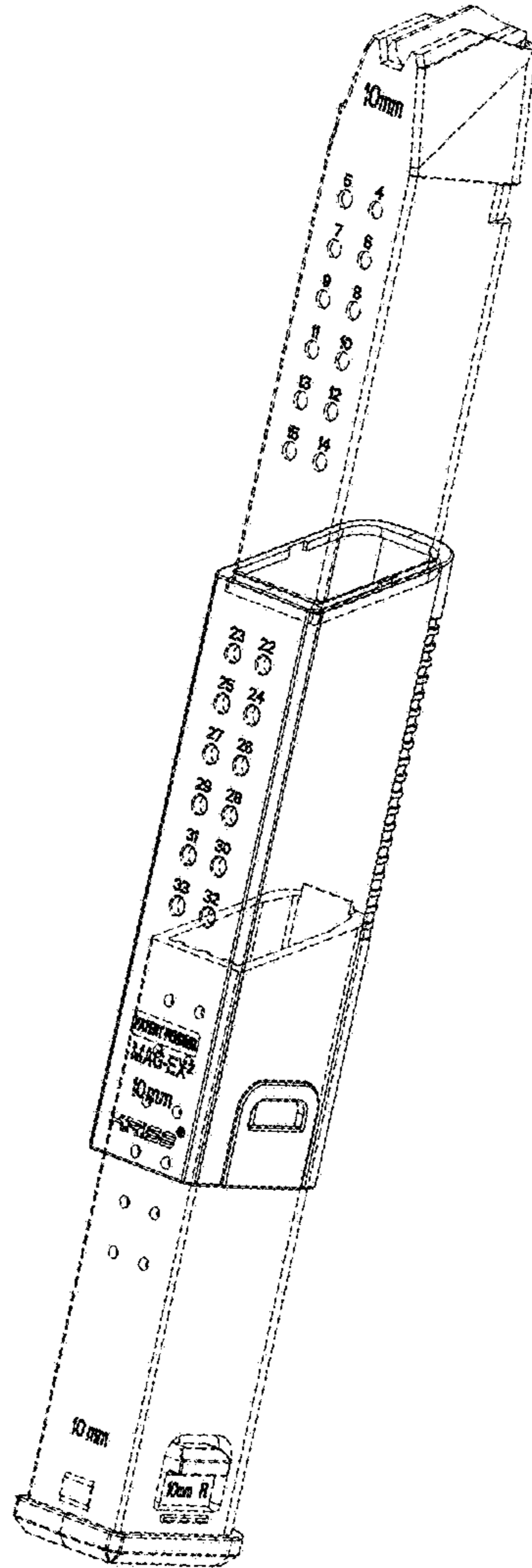


Fig. 9

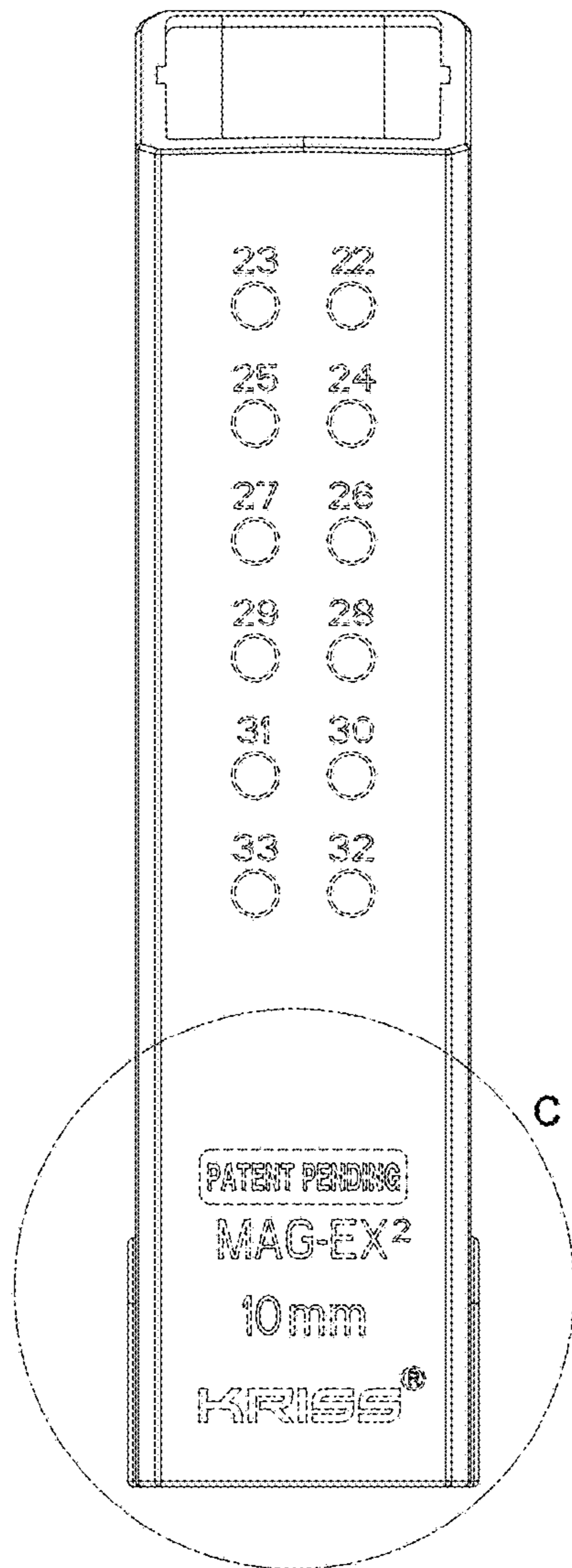


Fig. 10

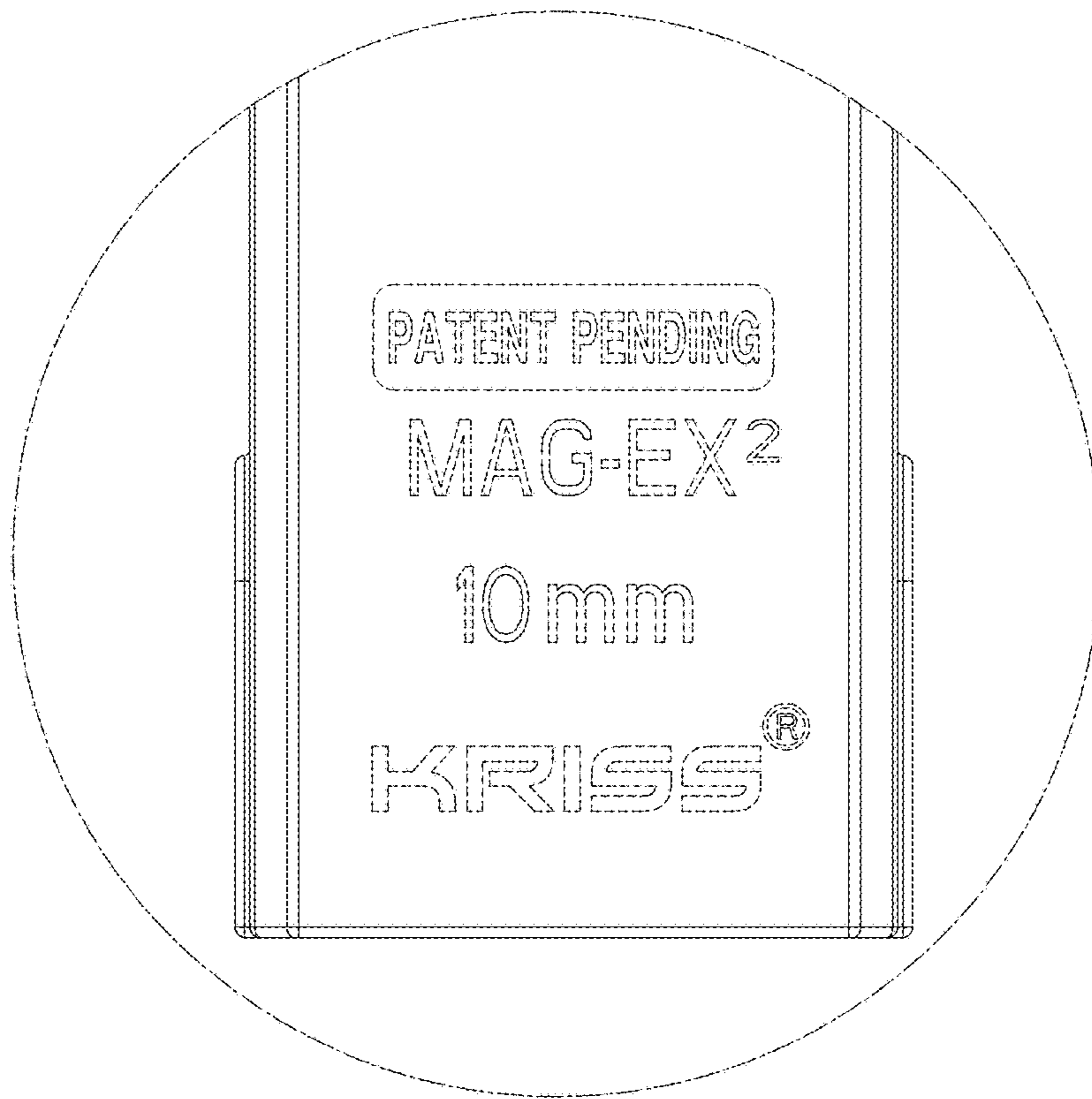


Fig. 11

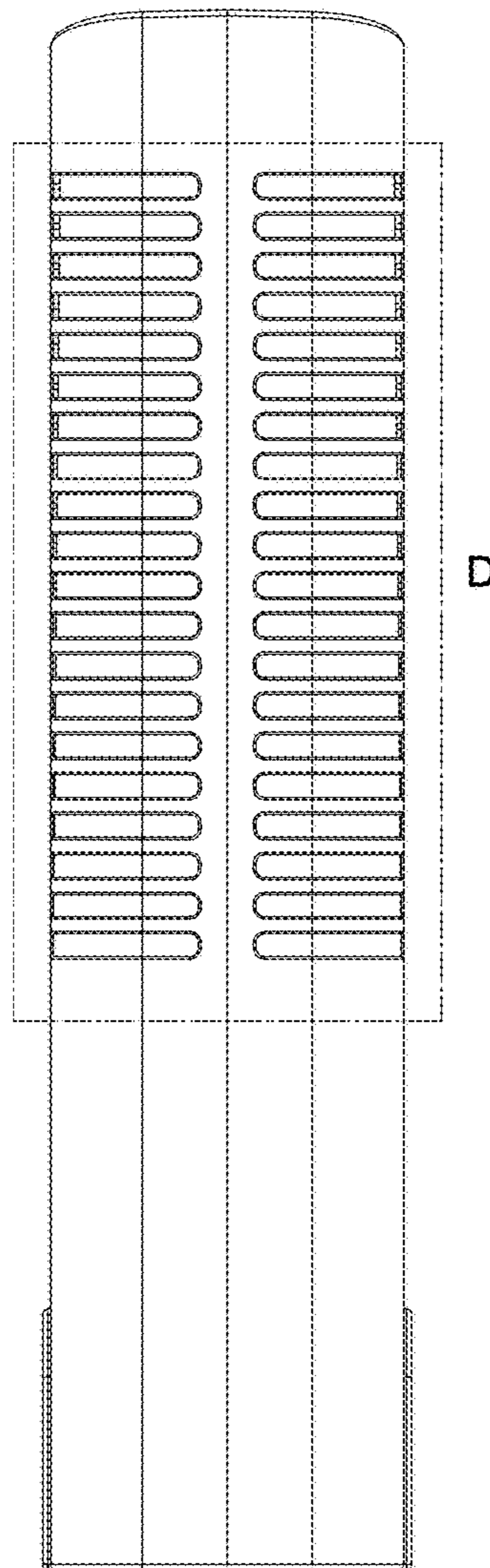


Fig. 12

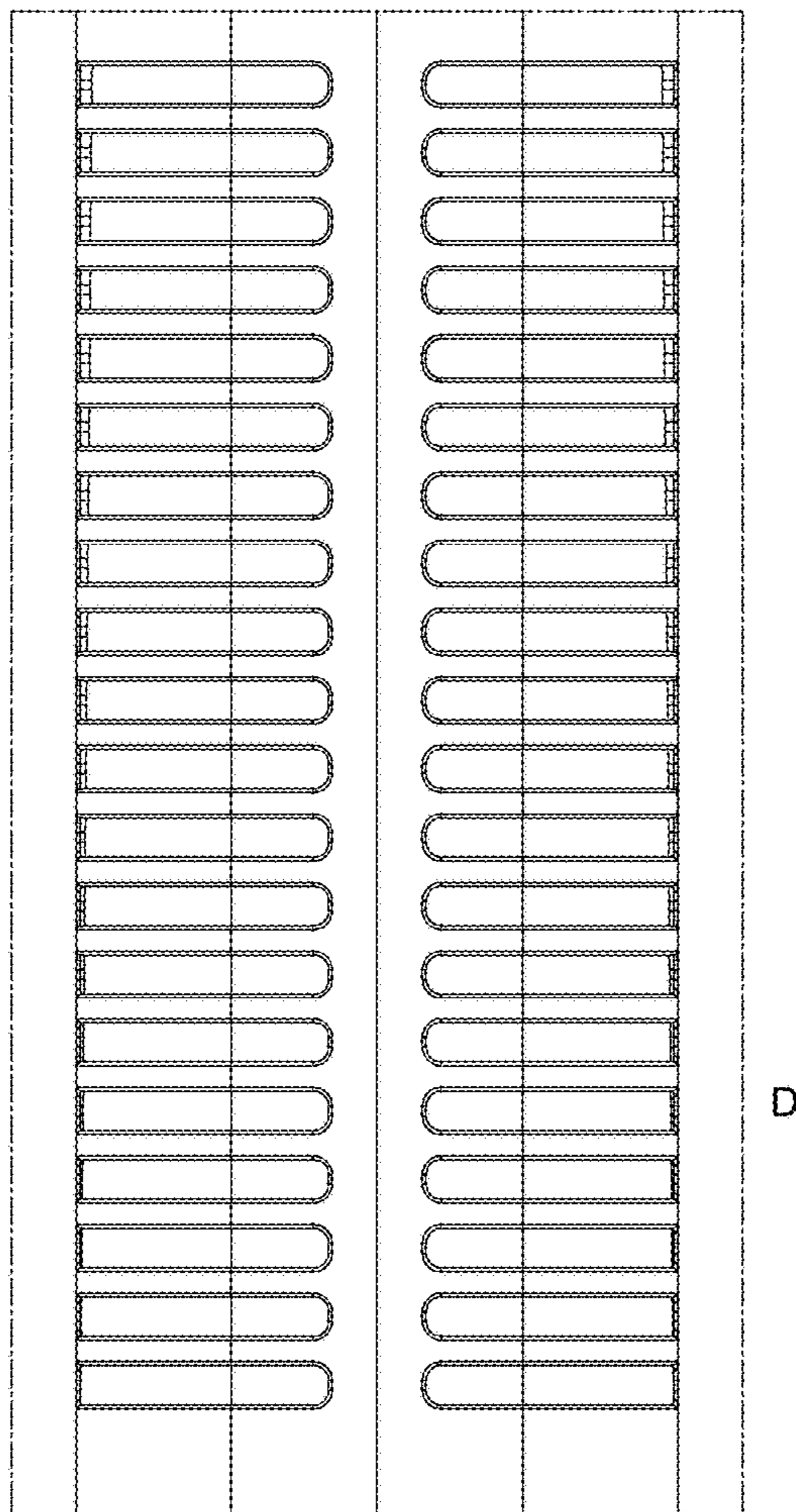


Fig. 13