



US00D869594S

(12) **United States Design Patent** (10) **Patent No.:** **US D869,594 S**
Lance et al. (45) **Date of Patent:** **** Dec. 10, 2019**

- (54) **BUCKLE FOR A RIFLE SLING**
- (71) Applicant: **Vista Outdoor Operations LLC**,
Anoka, MN (US)
- (72) Inventors: **Troy E. Lance**, Livingston, MT (US);
Robert J. Meinert, Andover, MN (US);
Paul N. Smith, Bozeman, MT (US);
Clif Hampel, Boise, ID (US)
- (73) Assignee: **Vista Outdoor Operations LLC**,
Anoka, MN (US)
- (**) Term: **15 Years**
- (21) Appl. No.: **29/634,119**
- (22) Filed: **Jan. 18, 2018**
- (51) **LOC (12) Cl.** **22-01**
- (52) **U.S. Cl.**
USPC **D22/108; D11/218**
- (58) **Field of Classification Search**
USPC **D22/108; D11/200, 201, 208-210,**
D11/212-218, 220, 230-234, 237, 86, 87,
D11/94; 24/307, 625, 616, 200, 196,
24/171, 169, 112; D3/215, 221, 262,
D3/327-328; 224/150; 42/85, 94
See application file for complete search history.

- 4,819,844 A 4/1989 Niemelä
D328,044 S * 7/1992 Murai 24/169
5,246,154 A 9/1993 Adams et al.
D340,008 S * 10/1993 Anscher D11/218
5,282,558 A 2/1994 Martinez
(Continued)

OTHER PUBLICATIONS

LK-GVS, YKKfastening.com, [online], [site visited Jul. 22, 2019].
<URL: <https://www.ykkfastening.com/products/search/detail?pdid1=LK-GVS>> (Year: 2019).*

(Continued)

Primary Examiner — T Chase Nelson
Assistant Examiner — Jonathan J. Han
(74) *Attorney, Agent, or Firm* — Christensen, Fonder,
Dardi & Herbert PLLC

(57) **CLAIM**

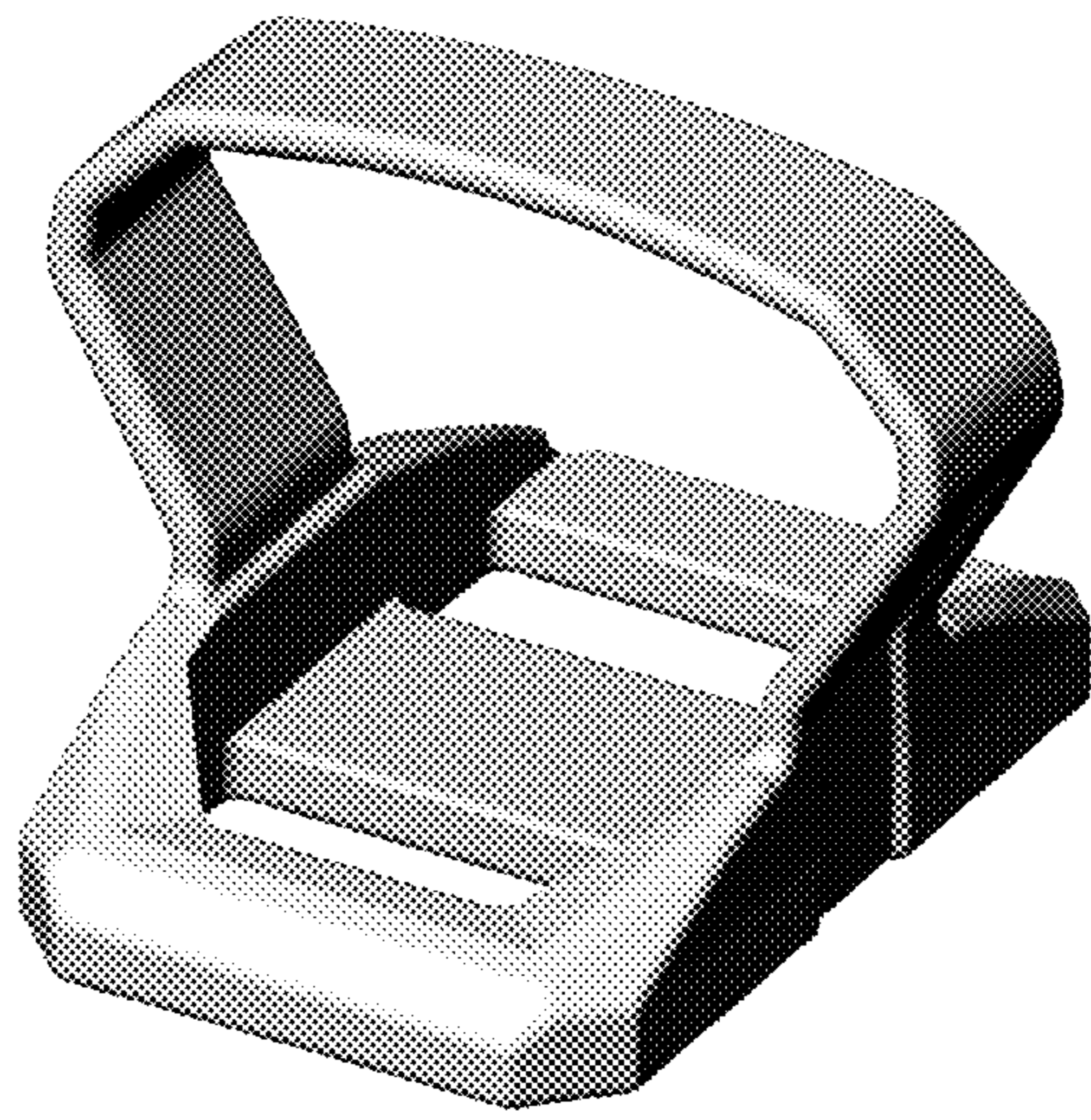
We claim the ornamental design for a buckle for a rifle sling,
as shown and described.

DESCRIPTION

FIG. 1 is a perspective view of a buckle for a rifle sling according to the invention.
FIG. 2 is a front view of a buckle for a rifle sling according to the invention.
FIG. 3 is a rear view of a buckle for a rifle sling according to the invention.
FIG. 4 is a top view of a buckle for a rifle sling according to the invention.
FIG. 5 is a bottom view of a buckle for a rifle sling according to the invention.
FIG. 6 is a right side view of a buckle for a rifle sling according to the invention; and,
FIG. 7 is a left side view of a buckle for a rifle sling according to the invention.

1 Claim, 7 Drawing Sheets

- (56) **References Cited**
- U.S. PATENT DOCUMENTS
- 1,490,066 A 4/1924 Carr
2,343,118 A * 2/1944 White A44B 11/04
24/198
- 3,060,537 A 10/1962 Hatfield
3,081,923 A 3/1963 Bagby
3,948,423 A 4/1976 Hathaway
3,982,769 A 9/1976 Färlind
4,608,735 A * 9/1986 Kasai A44B 11/10
24/171
- 4,696,505 A 9/1987 Shadoan



(56)

References Cited

U.S. PATENT DOCUMENTS

D347,601 S * 6/1994 Anscher D11/218
 D352,254 S * 11/1994 Prosser D11/200
 5,379,726 A 1/1995 Mann
 5,433,360 A 7/1995 Rock
 5,715,979 A 2/1998 Crandall
 5,718,363 A 2/1998 Graves
 6,068,167 A 5/2000 Hopson
 6,260,748 B1 7/2001 Lindsey
 6,325,258 B1 12/2001 Verdugo et al.
 6,520,390 B2 2/2003 Verdugo et al.
 6,536,153 B2 3/2003 Lindsey
 D507,509 S * 7/2005 Hou D11/218
 D507,763 S * 7/2005 Kaneko D11/218
 6,932,254 B2 8/2005 Eliason
 7,048,161 B2 5/2006 George
 7,059,502 B2 6/2006 Johnson
 7,069,624 B2 7/2006 Johnson
 7,082,709 B2 8/2006 Lindsey
 D579,819 S * 11/2008 Brown D11/231
 D586,692 S * 2/2009 Nykoluk D11/218
 D619,497 S * 7/2010 Paik D11/218
 D619,928 S * 7/2010 Bodino D11/231
 D632,954 S 2/2011 Fitzpatrick et al.
 D636,835 S 4/2011 Fitzpatrick et al.
 D636,836 S * 4/2011 Fitzpatrick D22/108
 7,959,046 B2 6/2011 Burnsed, Jr. et al.
 7,988,023 B1 8/2011 Nykoluk
 D679,580 S 4/2013 Fitzpatrick et al.
 8,430,285 B2 4/2013 Burnsed, Jr.
 D683,262 S 5/2013 Fitzpatrick et al.
 8,516,732 B2 8/2013 Burnsed, Jr.
 8,544,153 B2 10/2013 Mayberry et al.
 8,596,504 B2 12/2013 Haley, Sr. et al.
 D700,541 S * 3/2014 Iannello D11/218
 D702,311 S 4/2014 Fitzpatrick et al.
 D703,096 S * 4/2014 Kelleghan D11/218
 8,733,601 B2 5/2014 Burnsed, Jr.
 D710,480 S * 8/2014 Fitzpatrick D22/108
 D729,689 S * 5/2015 Kelleghan D11/218
 9,157,699 B2 10/2015 Ward et al.
 D745,630 S 12/2015 Eitan et al.
 D745,631 S 12/2015 Eitan et al.
 D746,404 S 12/2015 Chow et al.
 D750,530 S * 3/2016 VanHoutin D11/218
 D755,328 S 5/2016 Eitan et al.
 D755,330 S 5/2016 Eitan et al.
 9,557,138 B2 1/2017 Alford
 D782,364 S * 3/2017 Nykoluk D11/218

D790,779 S * 6/2017 Javornick D11/231
 D816,545 S * 5/2018 Kelleghan D11/218
 D821,259 S * 6/2018 Ciptak D11/218
 D822,537 S * 7/2018 Smuin D11/218
 D823,717 S * 7/2018 Ho D11/218
 D838,916 S * 1/2019 Piombino D29/101.3
 D840,869 S * 2/2019 Koreishi D11/218
 D840,870 S * 2/2019 Koreishi D11/218
 D848,899 S * 5/2019 Chang D11/210
 2002/0153393 A1 10/2002 Verdugo et al.
 2003/0034371 A1 2/2003 Crumrine
 2003/0037417 A1 2/2003 Shen et al.
 2004/0188476 A1 9/2004 Johnson
 2007/0278262 A1 12/2007 Gallagher
 2008/0217371 A1 9/2008 Wemmer
 2008/0302838 A1 12/2008 Burnsed, Jr.
 2009/0321484 A1 * 12/2009 Schweikert F41C 33/002
 224/268
 2011/0186603 A1 8/2011 Alford
 2012/0324686 A1 12/2012 Ishii
 2013/0101280 A1 4/2013 Xu
 2013/0305582 A1 * 11/2013 Mayberry F41C 33/006
 42/85
 2013/0333168 A1 12/2013 Burnsed, Jr.
 2014/0091115 A1 4/2014 Haley et al.
 2014/0203053 A1 7/2014 Rivas-Schlanger
 2014/0263489 A1 9/2014 Hendricks
 2014/0367427 A1 12/2014 Bjelde et al.
 2015/0272280 A1 10/2015 Muller
 2015/0292834 A1 10/2015 McCarthy
 2016/0123374 A1 5/2016 Roberts
 2016/0128452 A1 5/2016 Eitan et al.

OTHER PUBLICATIONS

Locwave Adjuster: LK-WGS, YKKfastening.com, [online], [site visited Jul. 22, 2019]. <URL: [https://www.ykkfastening.com/products/search/detail.html?pdid1=Locwave+Adjuster\(TM\)+%ef%bc%9a+LK-WGS](https://www.ykkfastening.com/products/search/detail.html?pdid1=Locwave+Adjuster(TM)+%ef%bc%9a+LK-WGS)> (Year: 2019).*

AR-15—Vickers Sling Installation—Blue Force Gear, YouTube.com, nsz85, Published on Jul. 31, 2016, [online], [site visited Jul. 22, 2019]. <URL: <https://www.youtube.com/watch?v=fNo-xqi3ZJo>> (Year: 2016).*

Mirrorless Comparison, “Peak Design Slide vs. Slide Lite vs. Leash—Accessory Comparison” [online] (retrieved from the internet Sep. 25, 2018) <URL <http://web.archive.org/web/20170618003435/https://mirrorlesscomparison.com/accessories/peak-design-slide-vs-slide-lite-vs-leash/>>, Jun. 18, 2017 (Jun. 18, 2017); entire document.

* cited by examiner

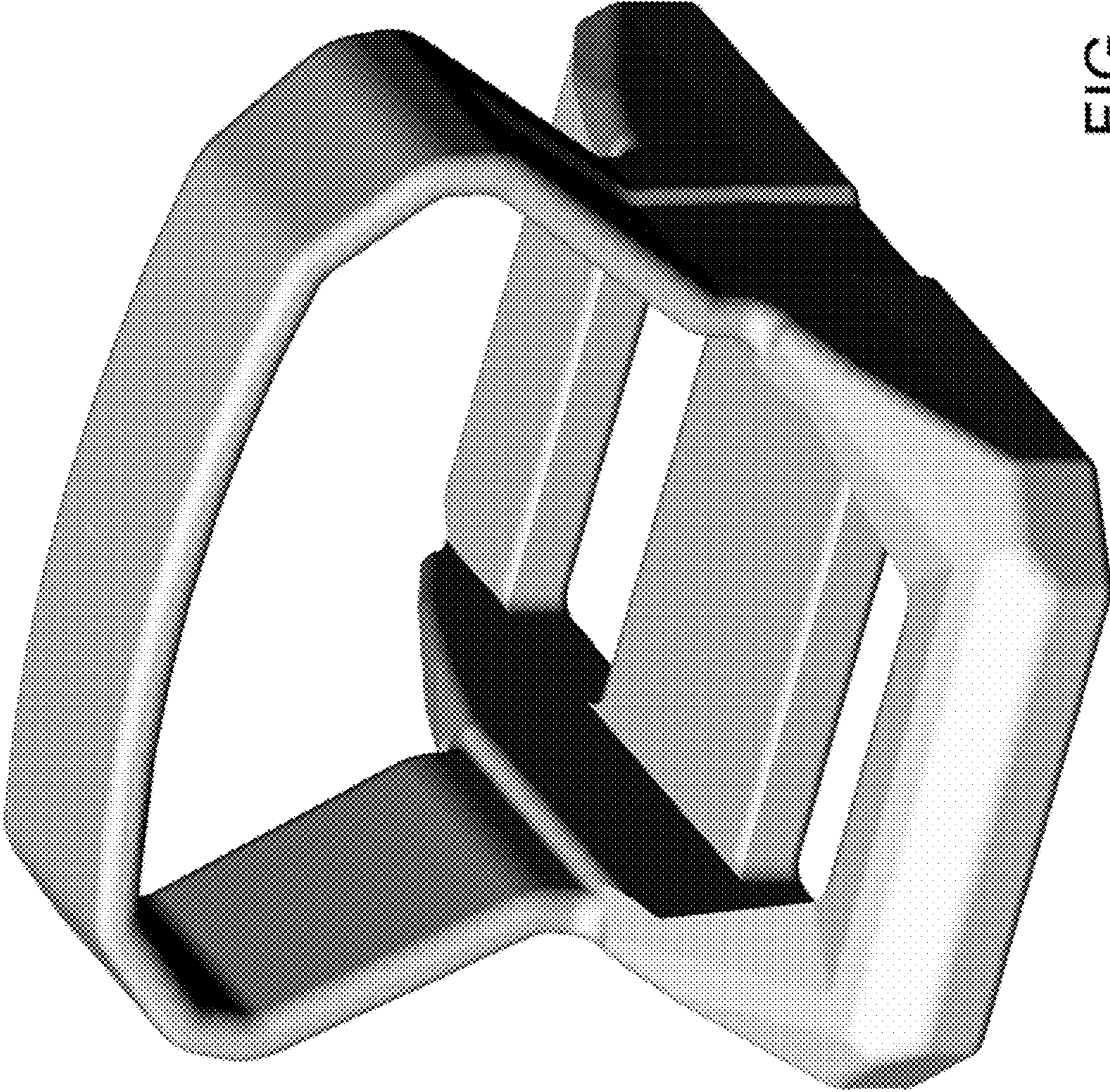


FIG. 1

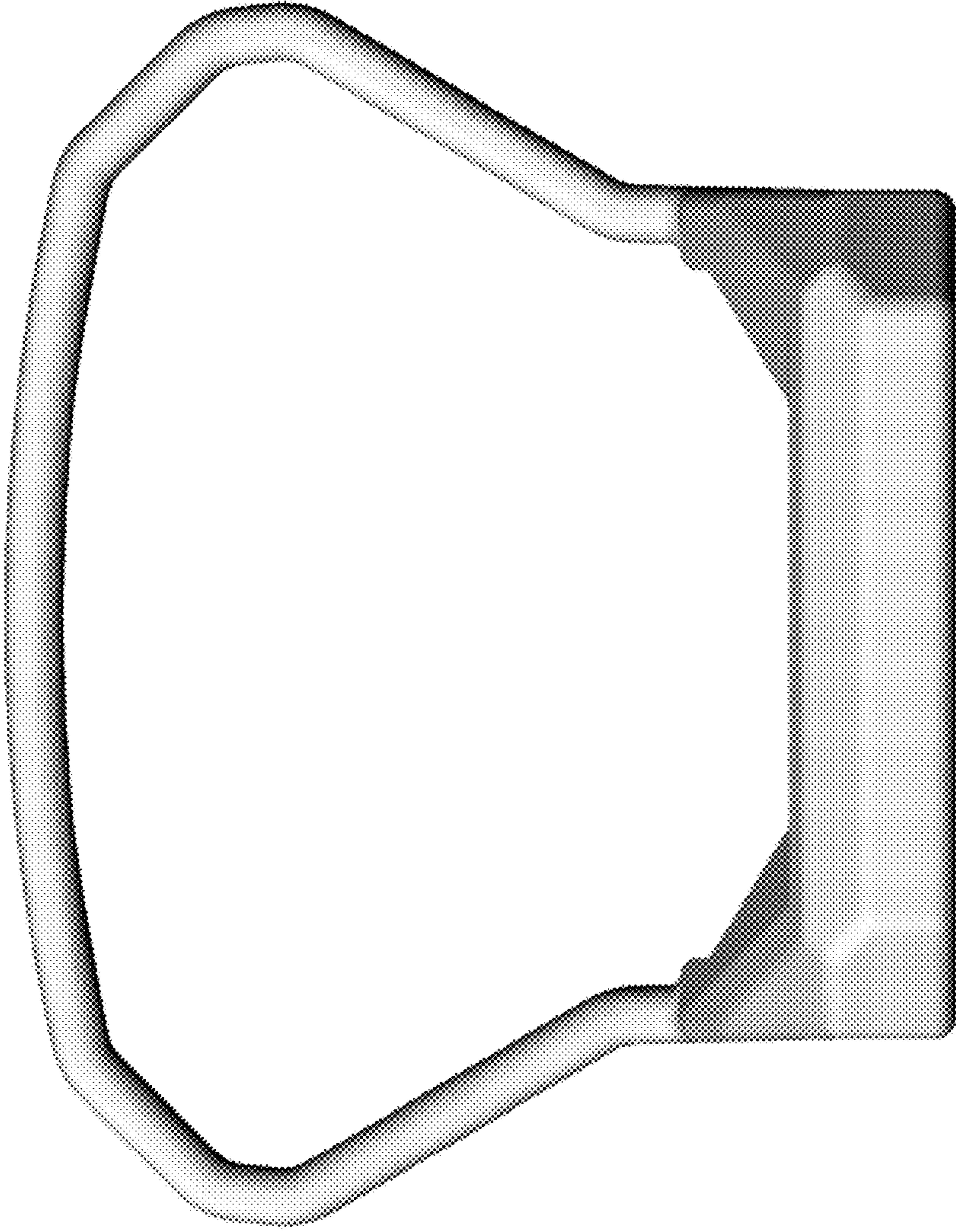


FIG. 2

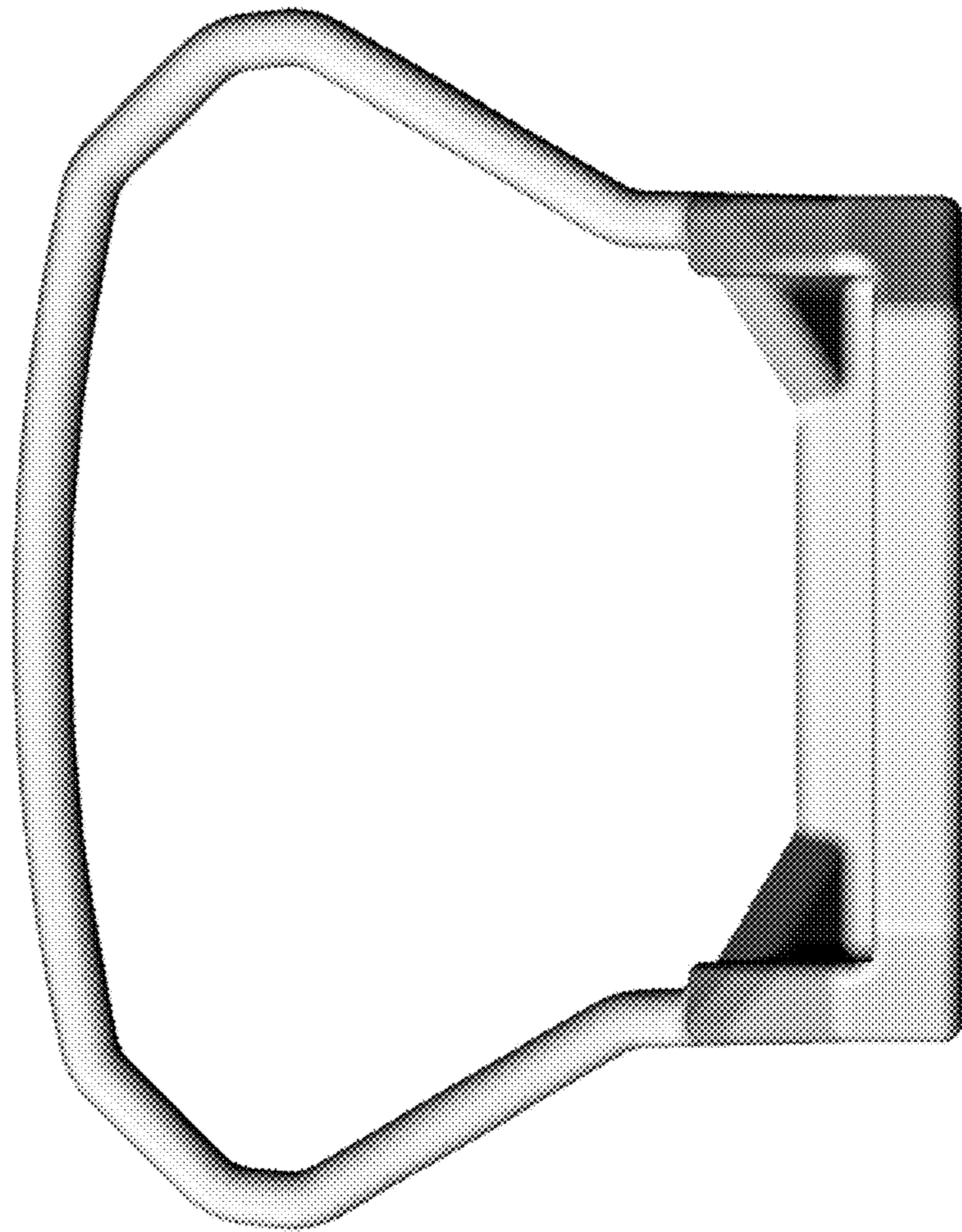


FIG. 3

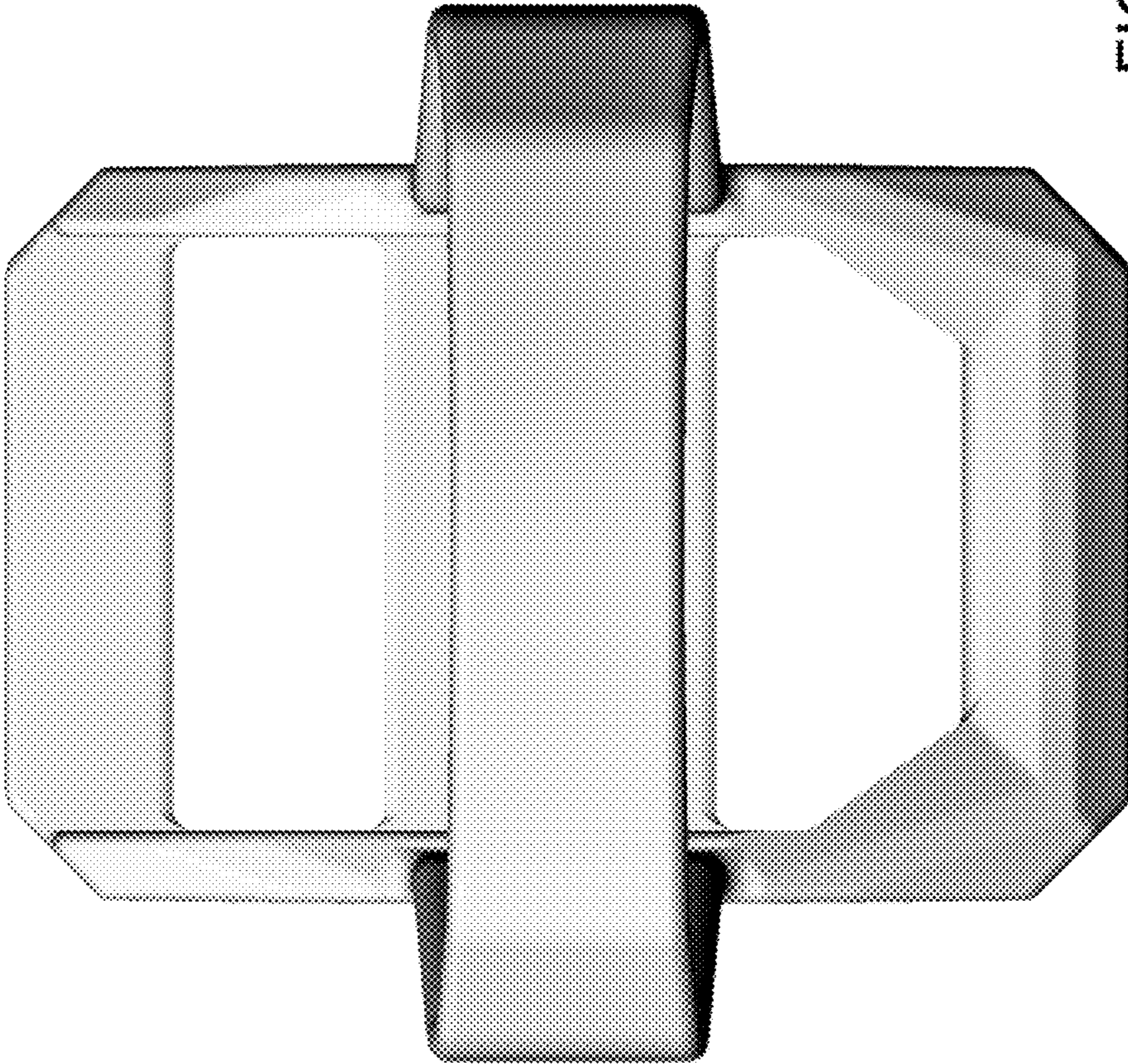


FIG. 4

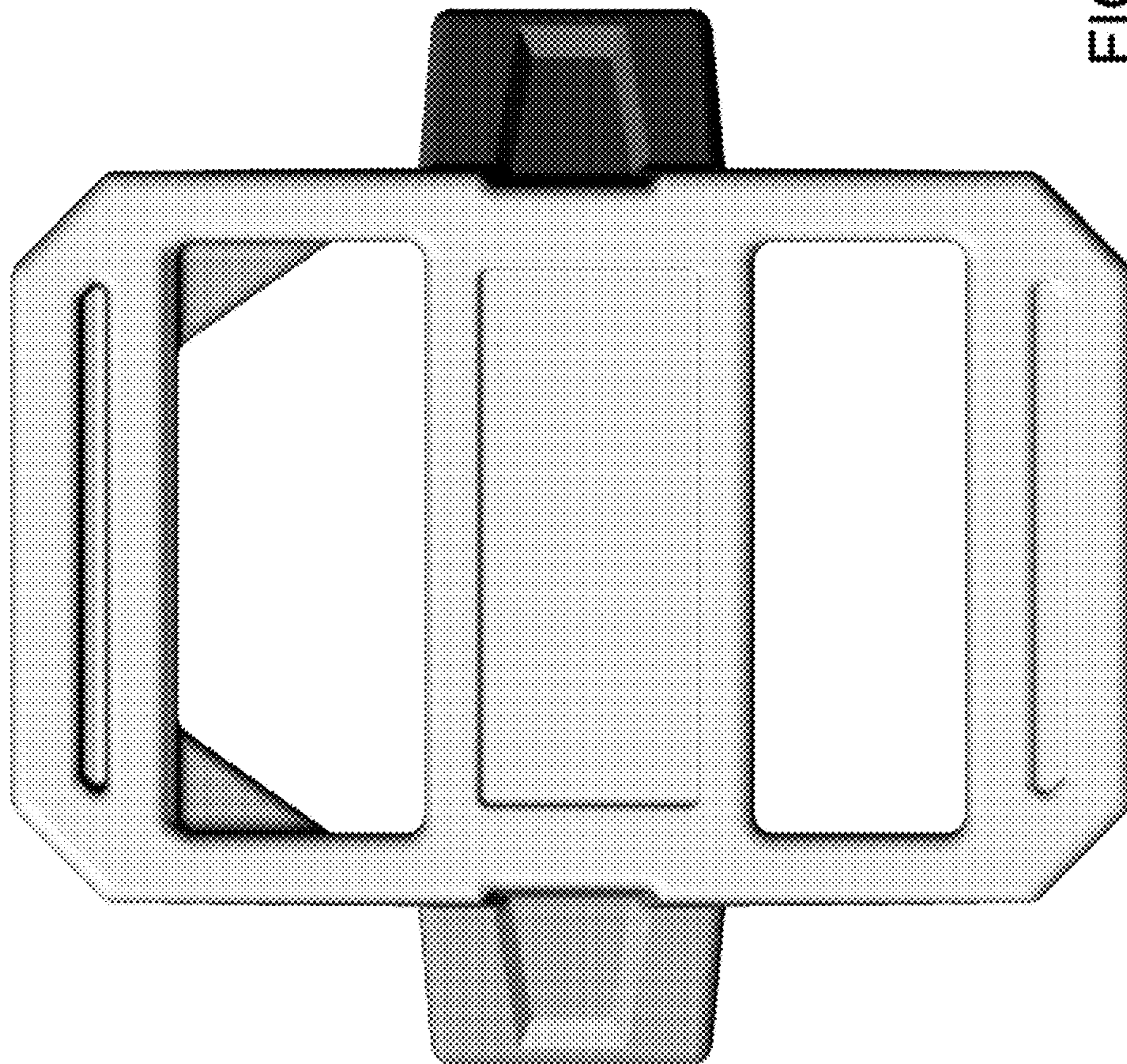


FIG. 5

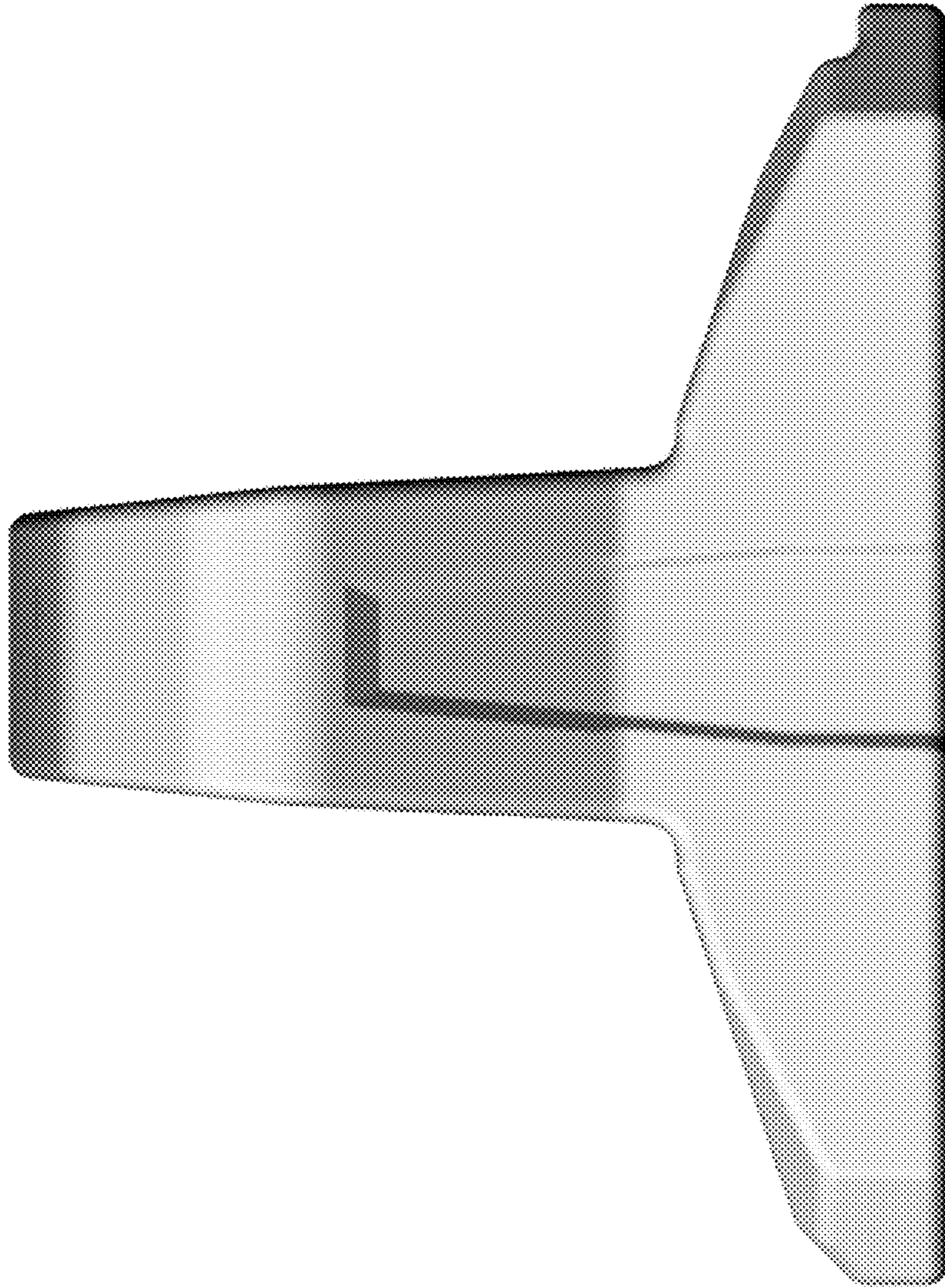


FIG. 6

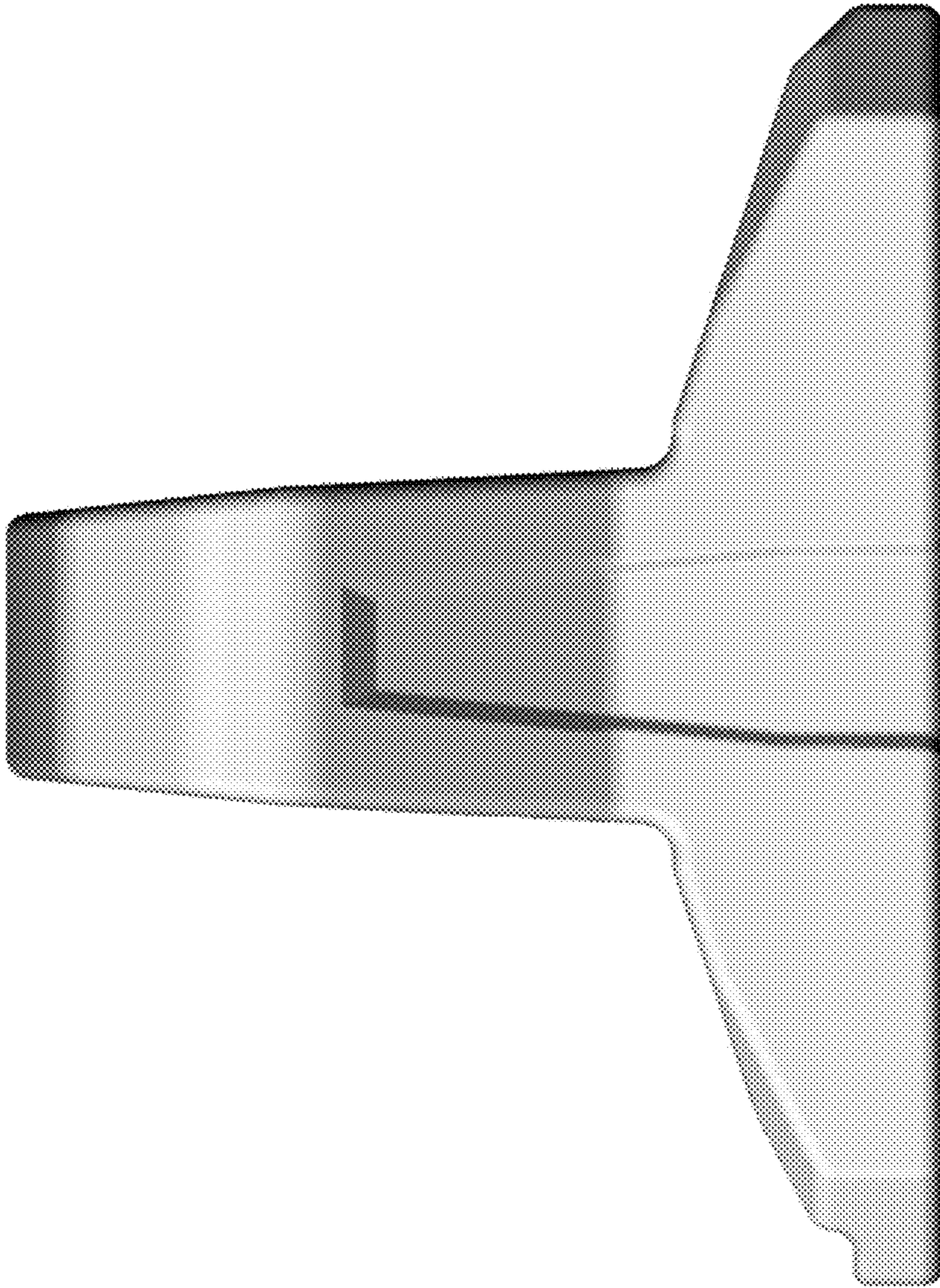


FIG. 7