

US00D869593S

(12) **United States Design Patent**
Noonan et al.

(10) **Patent No.:** **US D869,593 S**

(45) **Date of Patent:** **** Dec. 10, 2019**

(54) **BACKSTRAP**

(71) Applicants: **Paul T. Noonan**, Boise, ID (US);
Aaron Neal Trout, Fayetteville, AR
(US); **Tingwu Song**, Palos Verdes
Estates, CA (US)

(72) Inventors: **Paul T. Noonan**, Boise, ID (US);
Aaron Neal Trout, Fayetteville, AR
(US); **Tingwu Song**, Palos Verdes
Estates, CA (US)

(**) Term: **15 Years**

(21) Appl. No.: **29/634,097**

(22) Filed: **Jan. 18, 2018**

(51) **LOC (12) Cl.** **22-01**

(52) **U.S. Cl.**
USPC **D22/108**

(58) **Field of Classification Search**
USPC D22/100, 103, 108–109; D21/572–575;
D8/68; 89/111–113; 359/399, 823, 744,
359/109–114; 42/90, 94, 104, 105,
42/111–114, 116, 117, 120, 124–126,
42/127–129, 131, 133–140, 141–148;
33/227, 229
CPC . F41G 1/35; F41G 11/003; F41G 1/00; F41G
1/36; F41G 1/34; F41G 3/26; F41C
23/10; F41C 23/18; F41C 23/14; F41C
23/16

See application file for complete search history.

(56) **References Cited**

U.S. PATENT DOCUMENTS

D272,938 S * 3/1984 Mueschke, Jr. D22/104
D564,616 S * 3/2008 Novak D22/108
D584,374 S * 1/2009 McGarry D22/104
D593,623 S * 6/2009 Halmone D21/574
D600,309 S * 9/2009 Fitzpatrick D22/109
D600,310 S * 9/2009 Fitzpatrick D22/109

D681,131 S * 4/2013 Su D21/574
D692,517 S * 10/2013 Faifer D22/108
D705,887 S * 5/2014 Fitzpatrick D22/108
D713,486 S * 9/2014 Acarreta D22/108
D732,135 S * 6/2015 Webber D22/108
D732,136 S * 6/2015 Webber D22/108
D735,832 S * 8/2015 Fitzpatrick D22/108

(Continued)

OTHER PUBLICATIONS

FN 509 Large Backstrap—Black, FNeStore.com, [online], [site
visited Jul. 23, 2019]. <URL: <https://fnestore.com/fn-509-large-backstrap-black>> (Year: 2019).*

(Continued)

Primary Examiner — T Chase Nelson
Assistant Examiner — Jonathan J. Han

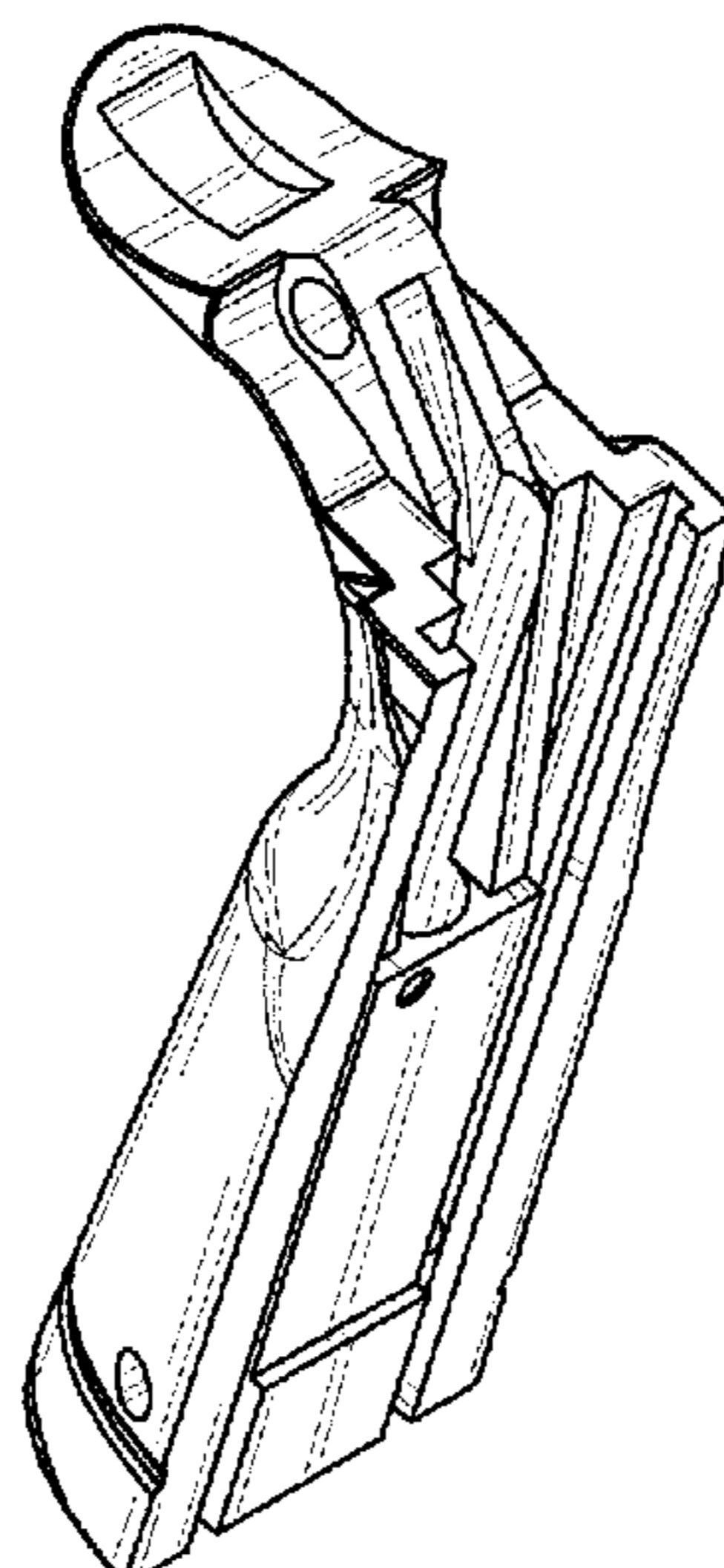
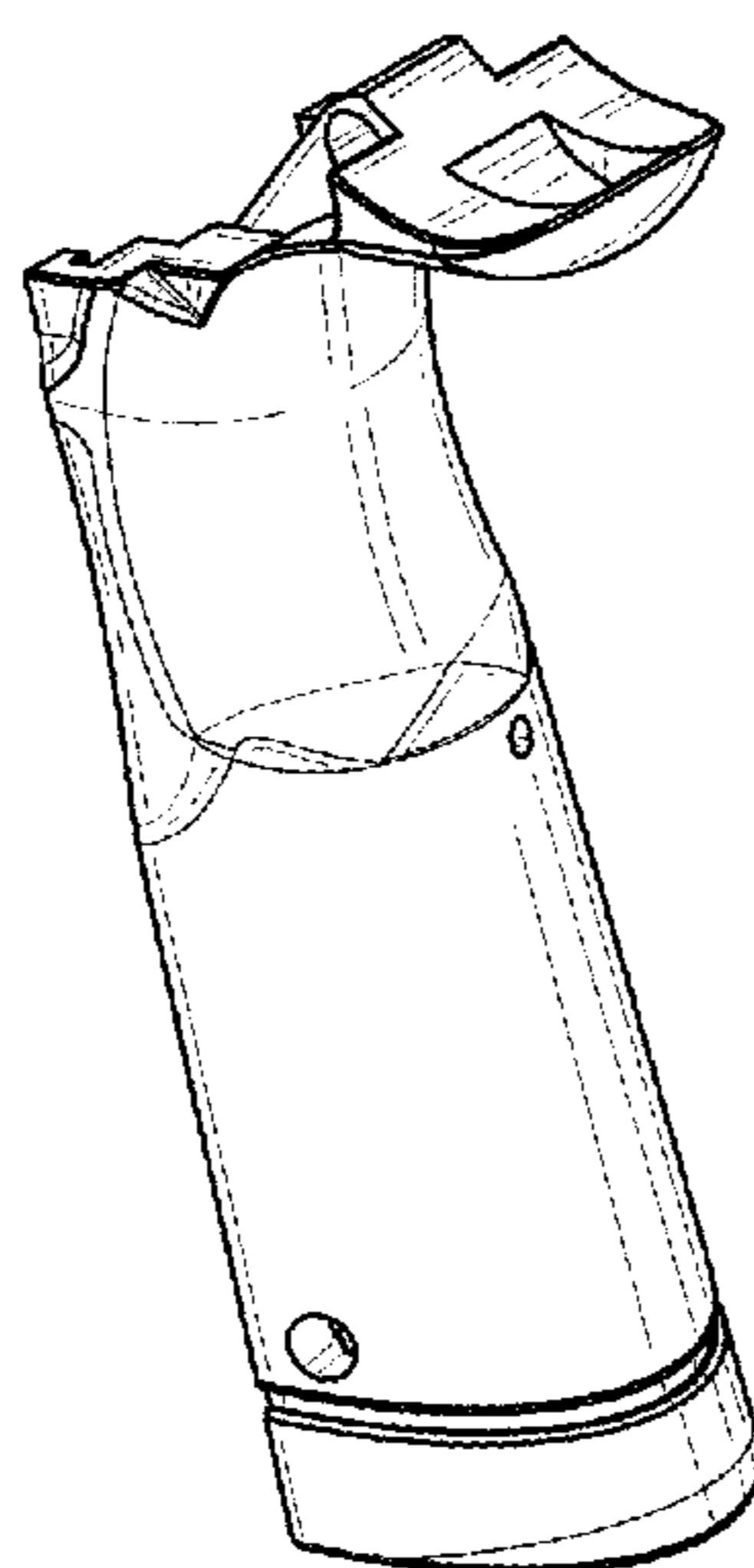
(57) **CLAIM**

We claim the ornamental design for a backstrap, as shown
and described.

DESCRIPTION

FIG. 1 is a left-side view of a backstrap according to the
present invention;
FIG. 2 is a right-side view of the backstrap of FIG. 1;
FIG. 3 is a rear view of the backstrap of FIG. 1;
FIG. 4 is a front view of the backstrap of FIG. 1;
FIG. 5 is a top view of the backstrap of FIG. 1;
FIG. 6 is a bottom view of the backstrap of FIG. 1;
FIG. 7 is a rear left-side perspective view of the backstrap
of FIG. 1;
FIG. 8 is a front left-side perspective view of the backstrap
of FIG. 1;
FIG. 9 is a rear right-side perspective view of the backstrap
of FIG. 1;
FIG. 10 is a front right-side perspective view of the back-
strap of FIG. 1; and,
FIG. 11 is a rear elevated view of the backstrap of FIG. 1.

1 Claim, 11 Drawing Sheets



(56)

References Cited

U.S. PATENT DOCUMENTS

D740,910 S * 10/2015 Hines D22/108
 D742,986 S * 11/2015 Ward, Jr. D22/108
 D754,802 S * 4/2016 Martelli D21/574
 D763,393 S * 8/2016 Freed D22/108
 D769,399 S * 10/2016 Lam D22/108
 D774,156 S * 12/2016 Esch D22/108
 D812,181 S * 3/2018 Hartley D22/109
 D815,233 S * 4/2018 Toner D22/104
 D821,529 S * 6/2018 Cheng D22/108
 D828,881 S * 9/2018 Lee D21/574
 D837,926 S * 1/2019 Christian D22/108
 D839,970 S * 2/2019 Chu D21/574
 D839,971 S * 2/2019 Chu D21/574
 D840,491 S * 2/2019 Bowman D22/108
 D840,492 S * 2/2019 Bowman D22/108
 D849,868 S * 5/2019 Sroufe D22/104
 D853,517 S * 7/2019 Sroufe D22/104
 2014/0165442 A1 * 6/2014 Nebeker F41A 3/64
 42/16

2017/0321980 A1 * 11/2017 Wolf F41A 19/15
 2019/0154368 A1 * 5/2019 Kim F41A 11/02
 2019/0154369 A1 * 5/2019 Kim F41A 3/66

OTHER PUBLICATIONS

Tokyo Marui—PX4 Grip Backstrap (Large) for PX4 Gas Blowback Pistol Series, Eagle6.co.uk, [online], [site visited Jul. 23, 2019]. <URL: <https://eagle6.co.uk/shop/catalog/product/view/id/1112/s/tokyo-marui-px4-interchangeable-grip-large-for-px4-gbb-series/>> (Year: 2019).*

ARES Amoeba Pro Beavertail Backstrap Grip for Amoeba & Ares M4 Series—BK/DE, RedWolfAirsoft.com, [online], [site visited Jul. 23, 2019]. <URL: http://www.redwolfairsoft.com/redwolf/airsoft/Accessories_Grips_and_Stocks_AEG_ARES_Amoeba_Pro> (Year: 2019).*

Glock Gen4 Beavertail Backstrap Kit G23.19/32, Amazon.com, [online], [site visited Jul. 23, 2019]. <URL: <https://www.amazon.com/Glock-Gen4-Beavertail-Backstrap-Kit/dp/B00D7ONGFC>> (Year: 2019).*

* cited by examiner

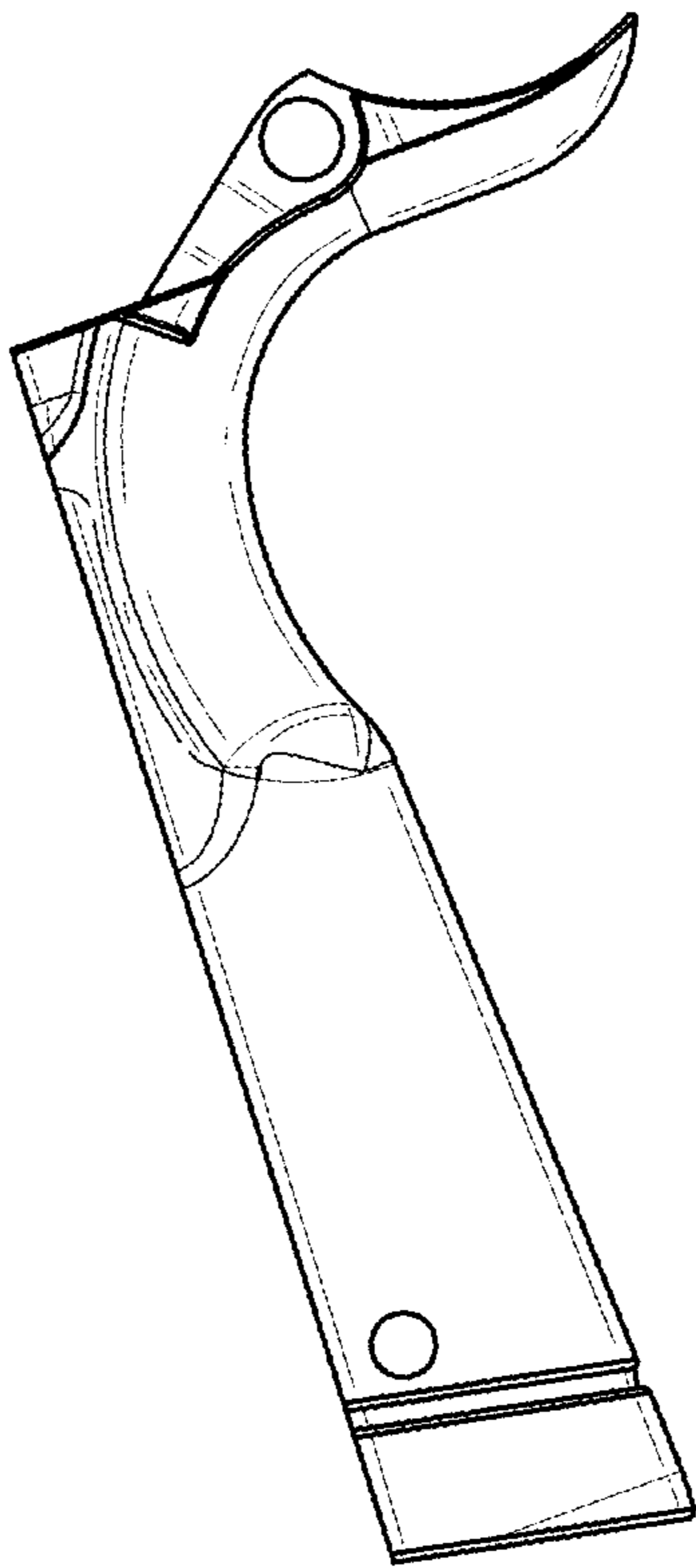


FIG. 1

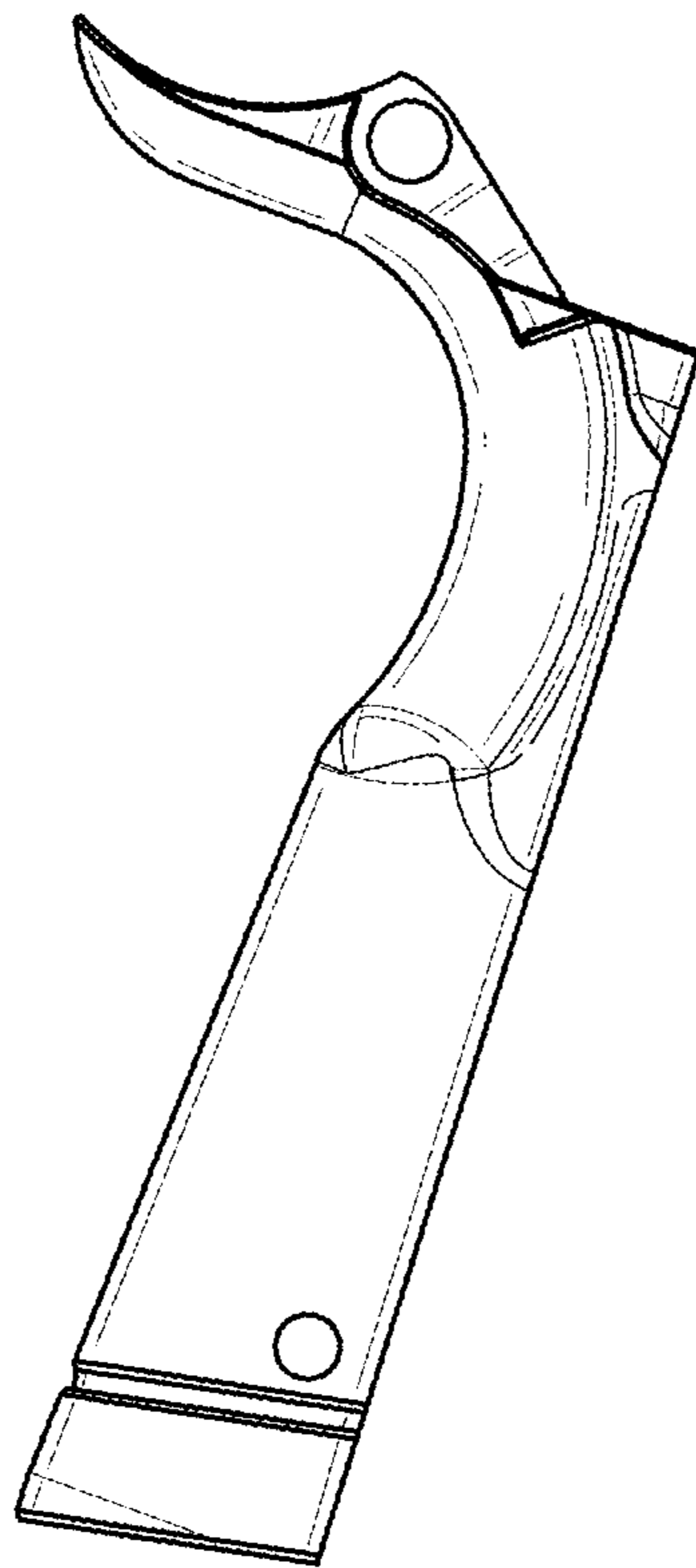


FIG. 2

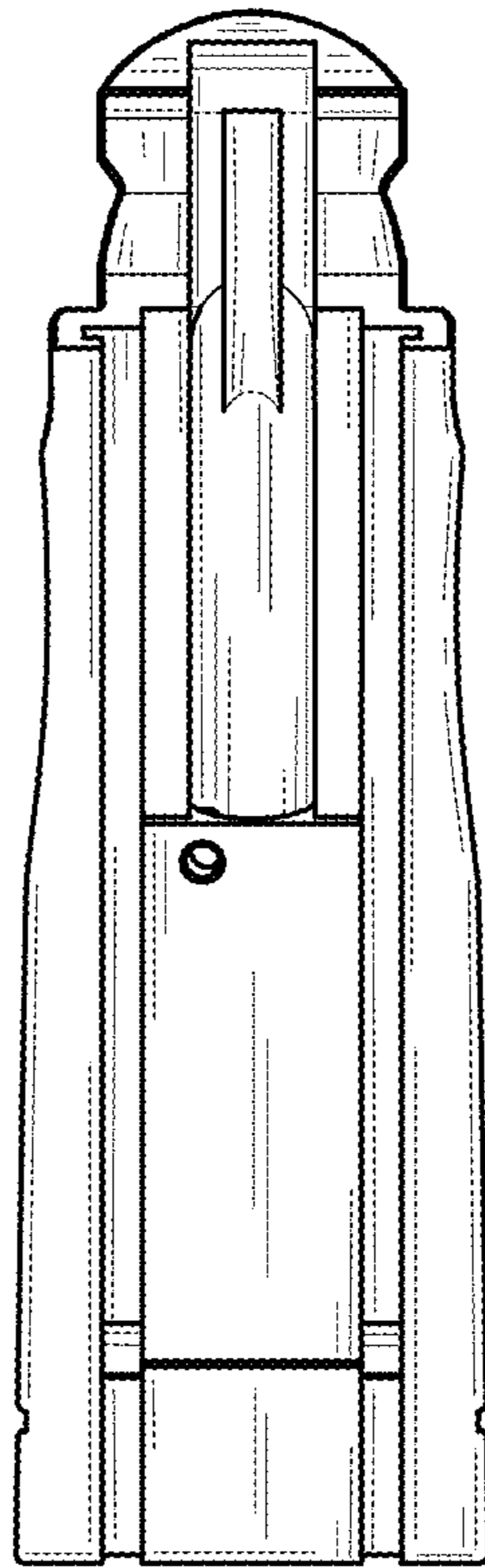


FIG. 3

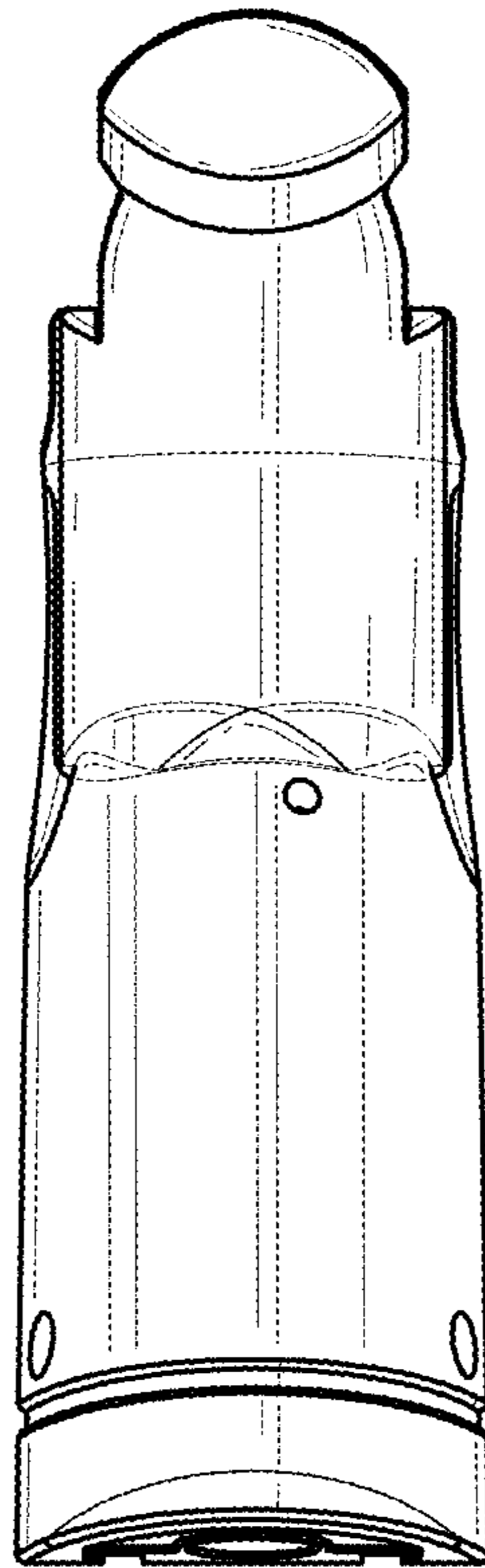


FIG. 4

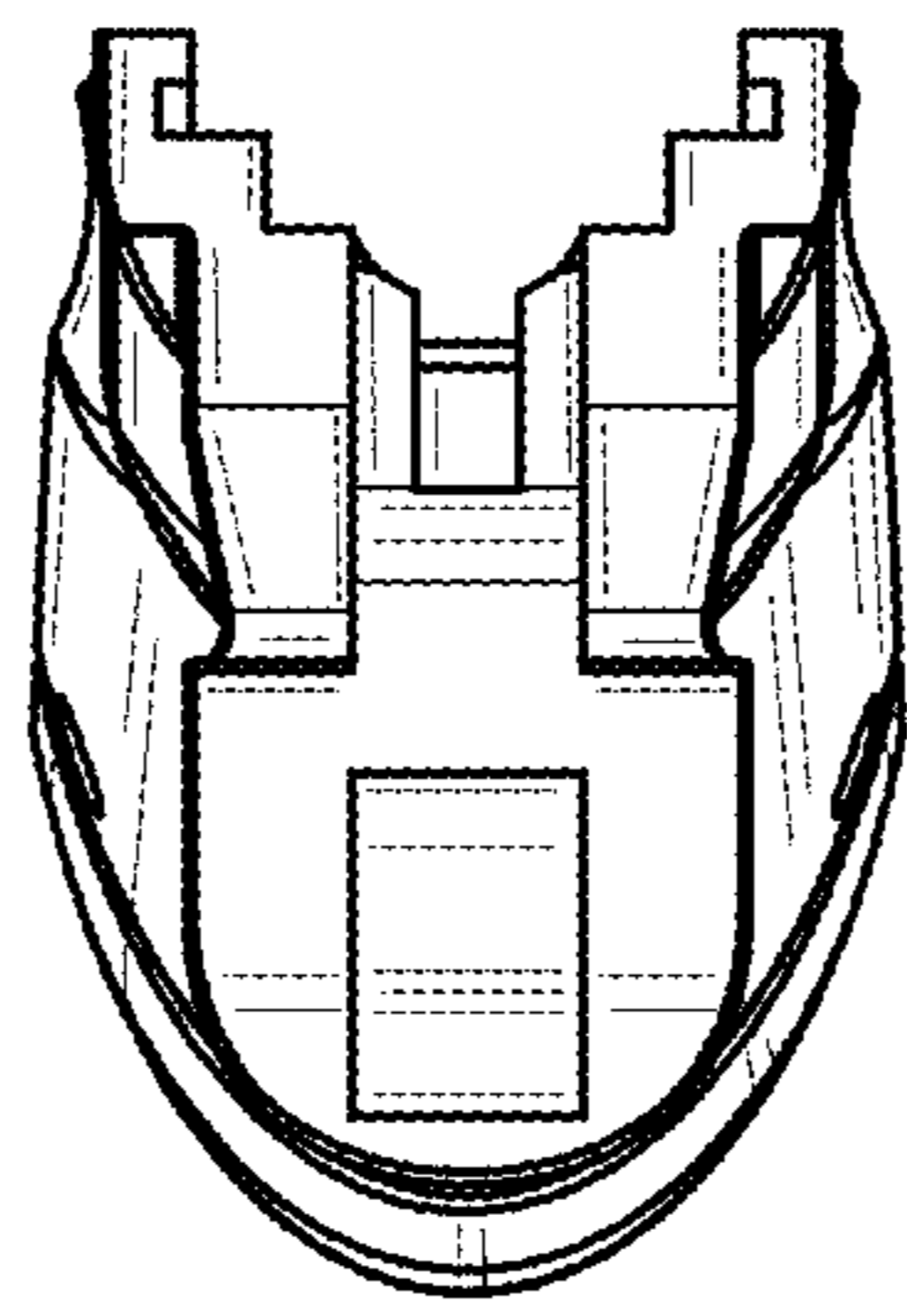


FIG. 5

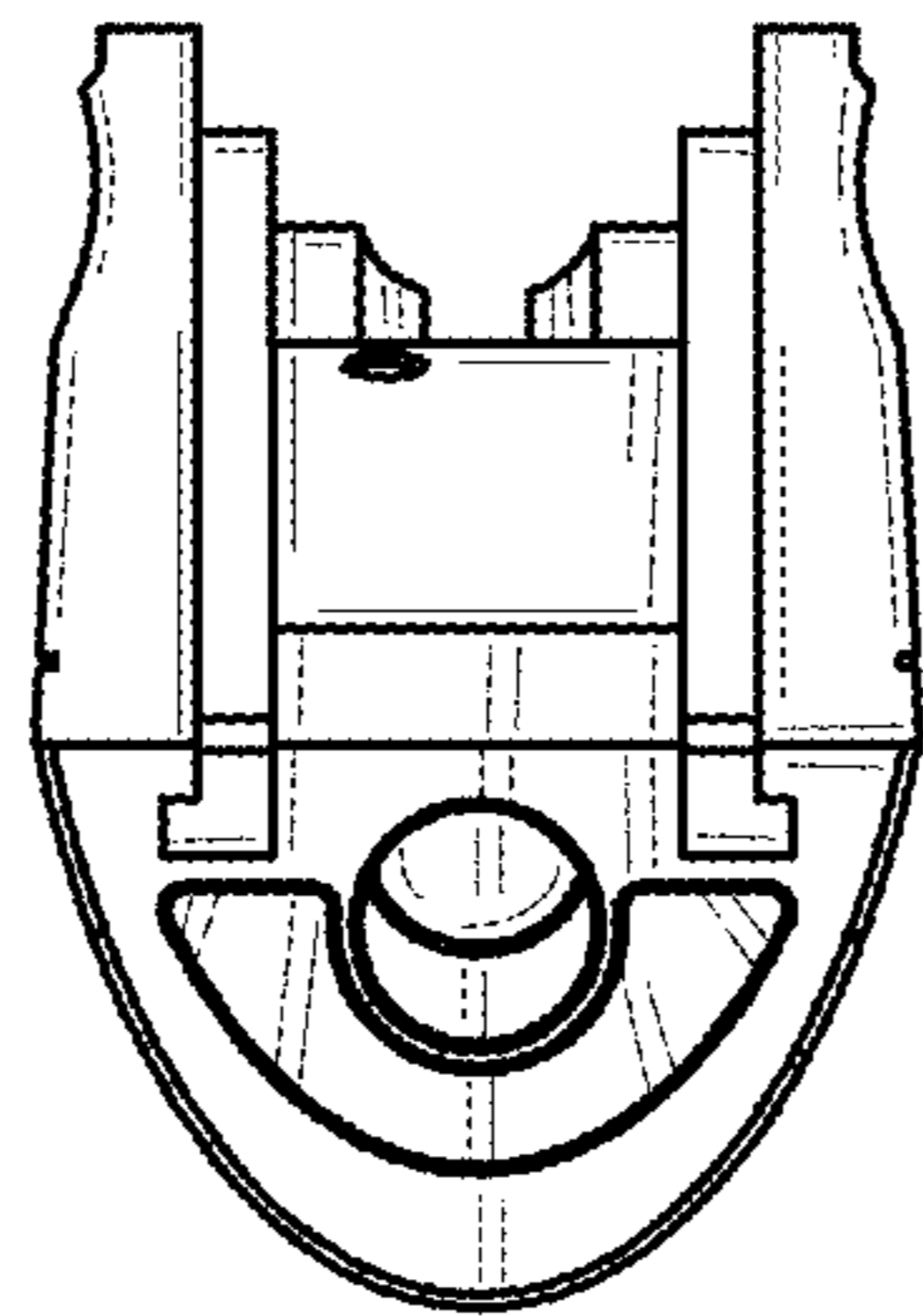


FIG. 6

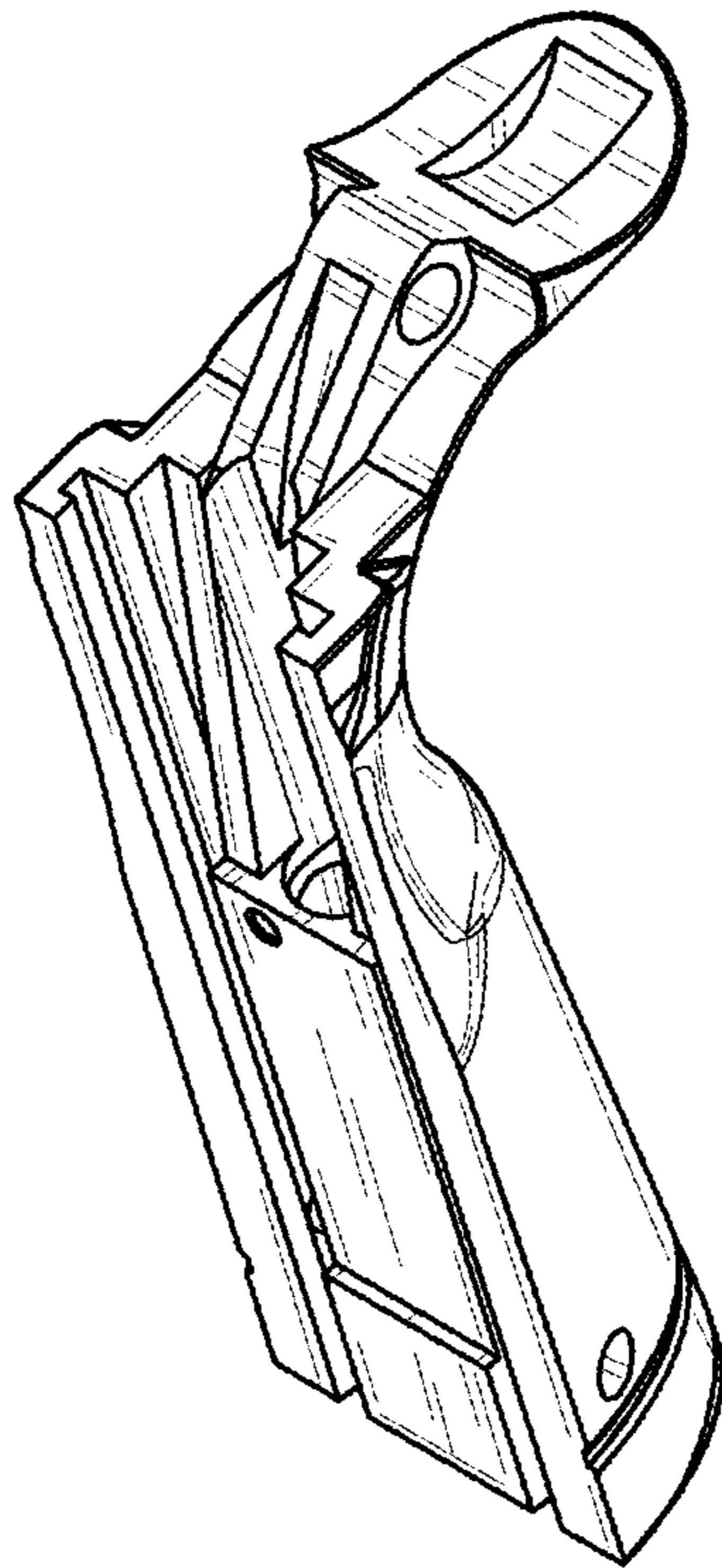


FIG. 7

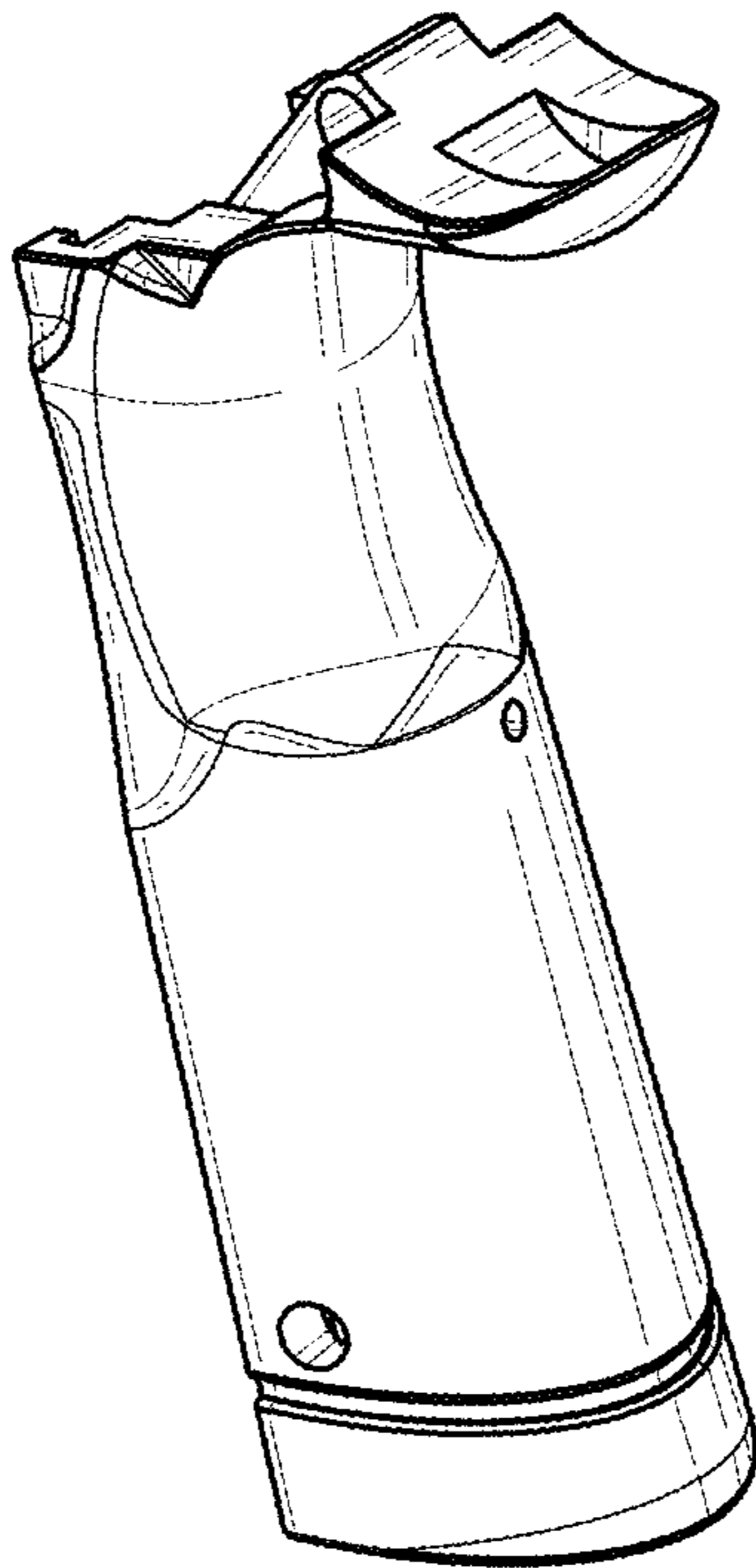


FIG. 8

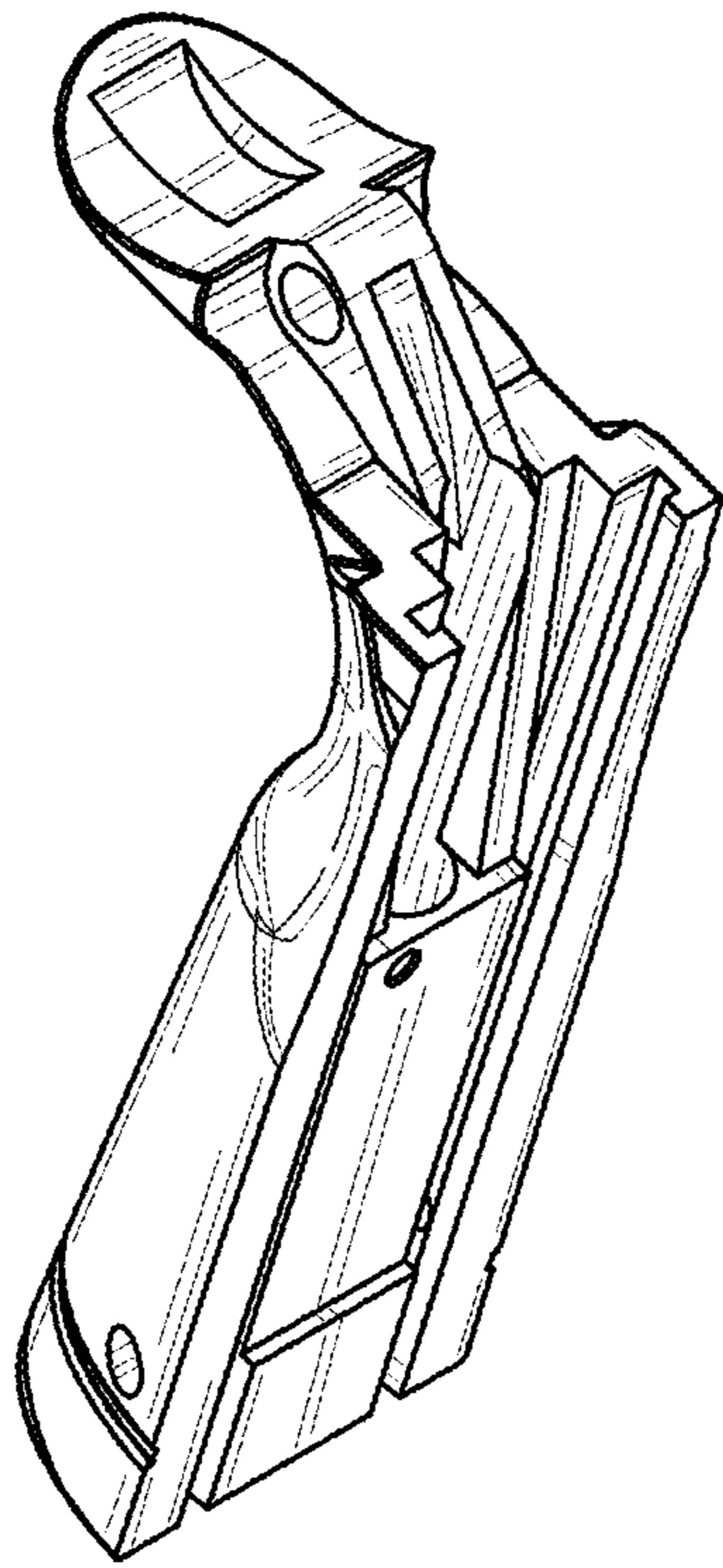


FIG. 9

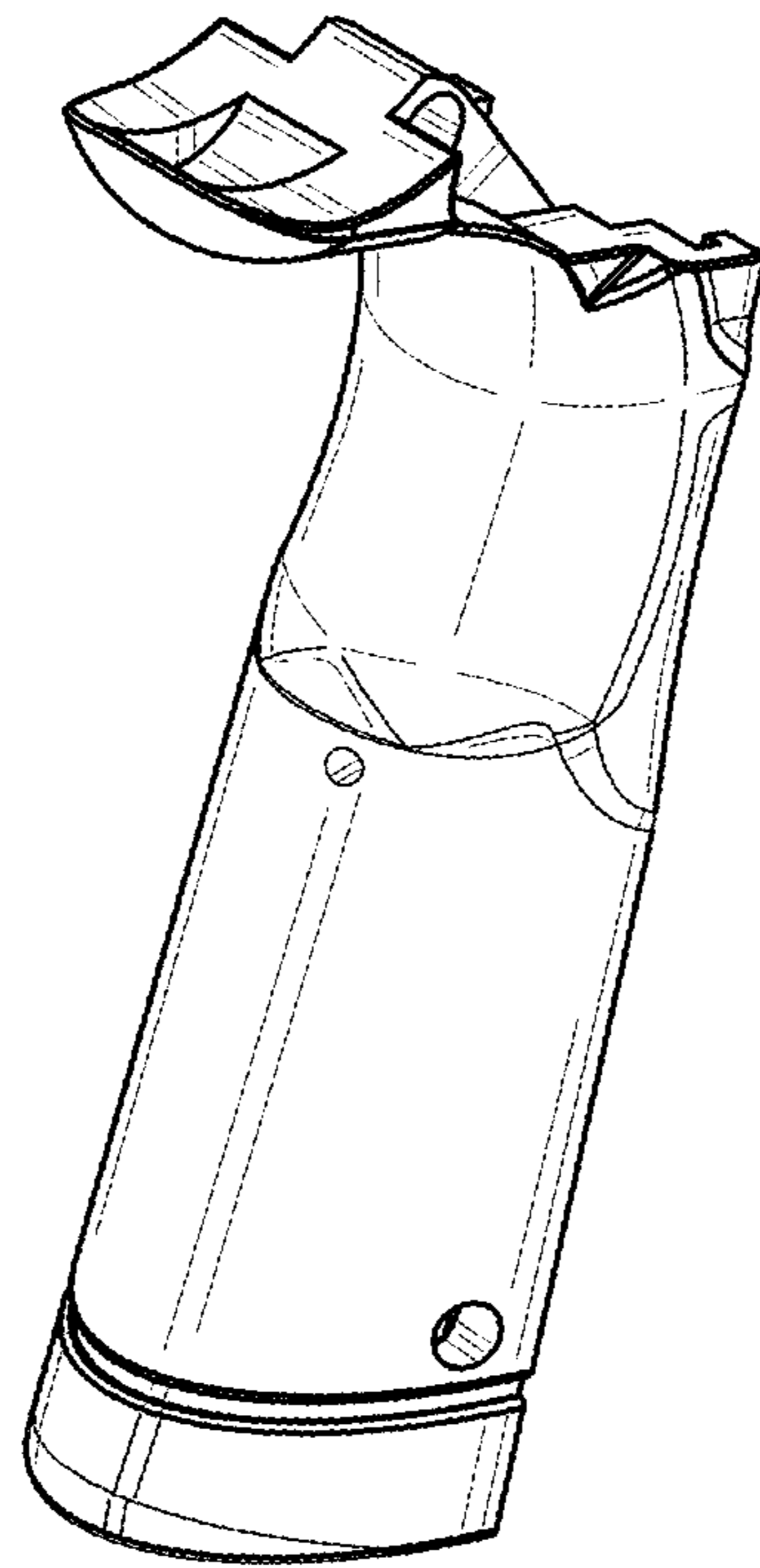


FIG. 10

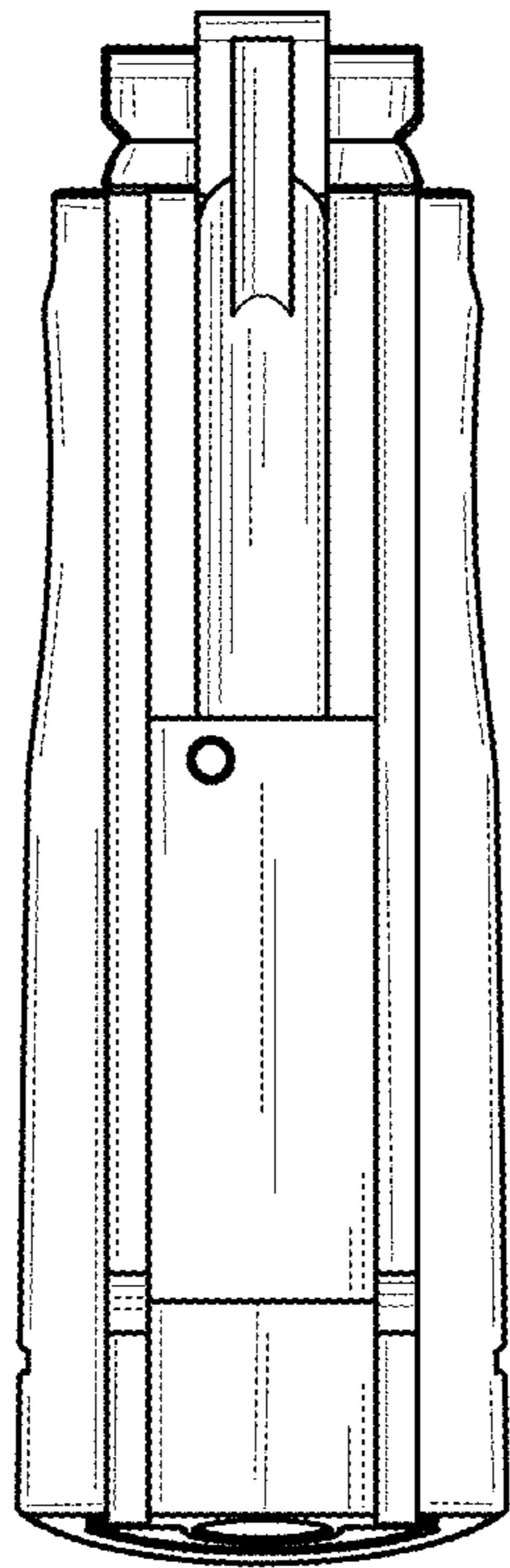


FIG. 11