



US00D869592S

(12) **United States Design Patent**
Macken et al.

(10) **Patent No.:** **US D869,592 S**

(45) **Date of Patent:** **** Dec. 10, 2019**

(54) **BI-POD**

(71) Applicant: **Swagger LLC**, Grand Island, NE (US)

(72) Inventors: **Casey Macken**, Grand Island, NE (US);
Aaron Keller, Grand Island, NE (US);
Don Ingram, Grand Island, NE (US);
Paul Heffin, Grand Island, NE (US);
Mike Necessary, Grand Island, NE (US)

(**) Term: **15 Years**

(21) Appl. No.: **29/601,145**

(22) Filed: **Apr. 19, 2017**

(51) **LOC (12) Cl.** **22-01**

(52) **U.S. Cl.**

USPC **D22/108**

(58) **Field of Classification Search**

USPC D22/101, 107-111, 199; D6/368, 552
CPC ... F41C 27/00; B60R 7/14; B60R 5/04; B60R
11/00; F41A 23/10; F41A 23/16; F41A
23/18; F41A 17/44; F41A 29/00; F41A
23/08

See application file for complete search history.

(56) **References Cited**

U.S. PATENT DOCUMENTS

4,475,437 A * 10/1984 Sullivan F41A 3/72
42/70.06
D297,450 S * 8/1988 Florida D22/108
D390,301 S * 2/1998 Peterson D22/108
7,676,979 B1 * 3/2010 Mertz F41A 23/08
42/71.01
7,770,320 B1 * 8/2010 Bartak F41C 23/16
42/72
D624,342 S * 9/2010 Coneal D6/552
D650,881 S * 12/2011 Abbott D22/108
D717,388 S * 11/2014 Wright, III D22/107
D777,282 S * 1/2017 Menu D22/103
D803,599 S * 11/2017 Bottomley D6/552

10,352,644 B2 * 7/2019 Ravnaas F41A 23/08
2003/0042388 A1 * 3/2003 Peterson F16M 11/26
248/440.1
2009/0000175 A1 * 1/2009 Potterfield F41A 23/10
42/94
2010/0077914 A1 * 4/2010 Steimke F41A 3/50
89/156

(Continued)

OTHER PUBLICATIONS

I like gunz, Swagger Bipod Demo. NRAAM 2016 Louisville, posted at YouTube, posting date May 28, 2016. [Site visited Nov. 13, 2018] URL: <<https://www.youtube.com/watch?v=3E-GgCZ3j6E>> (Year: 2016).*

(Continued)

Primary Examiner — Kevin K Rudzinski

Assistant Examiner — Kathleen L Jones

(74) *Attorney, Agent, or Firm* — Braxton Perrone PLLC

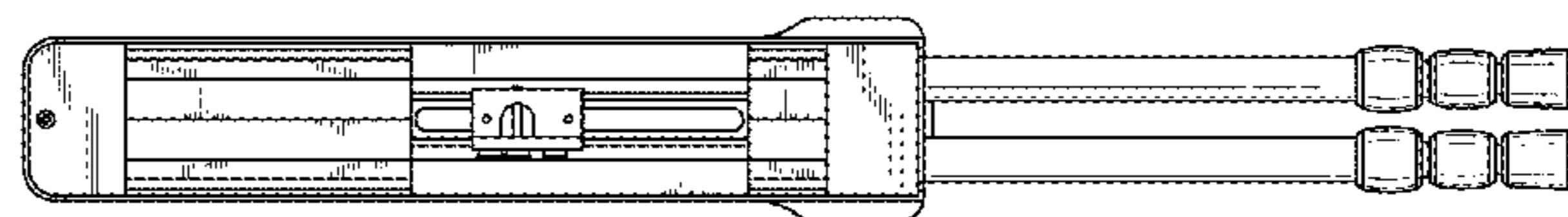
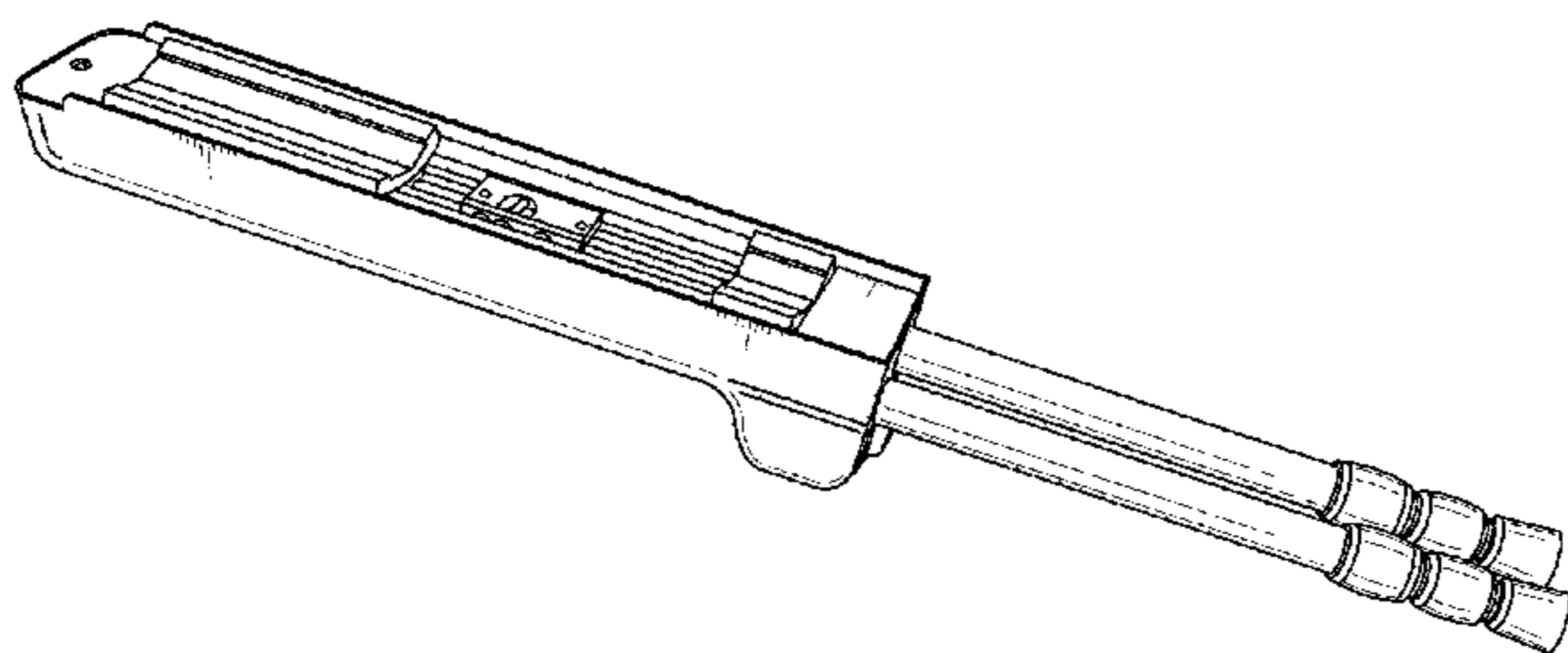
(57) **CLAIM**

The ornamental design for a bi-pod, as shown and described.

DESCRIPTION

FIG. 1 is a perspective view of the bi-pod;
FIG. 2 is a top plan view of the bi-pod;
FIG. 3 is a bottom plan view of the bi-pod;
FIG. 4 is a right elevation view of the bi-pod;
FIG. 5 is a left elevation view of the bi-pod;
FIG. 6 is a rear elevation view of the bi-pod;
FIG. 7 is a front elevation view of the bi-pod;
FIG. 8 is a perspective view of the bi-pod shown in an alternate position;
FIG. 9 is a rear elevation view thereof;
FIG. 10 is a right elevation view thereof; and,
FIG. 11 is a left elevation view of the bi-pod shown with environment in broken lines forming no part of the claimed design.

1 Claim, 8 Drawing Sheets



(56)

References Cited

U.S. PATENT DOCUMENTS

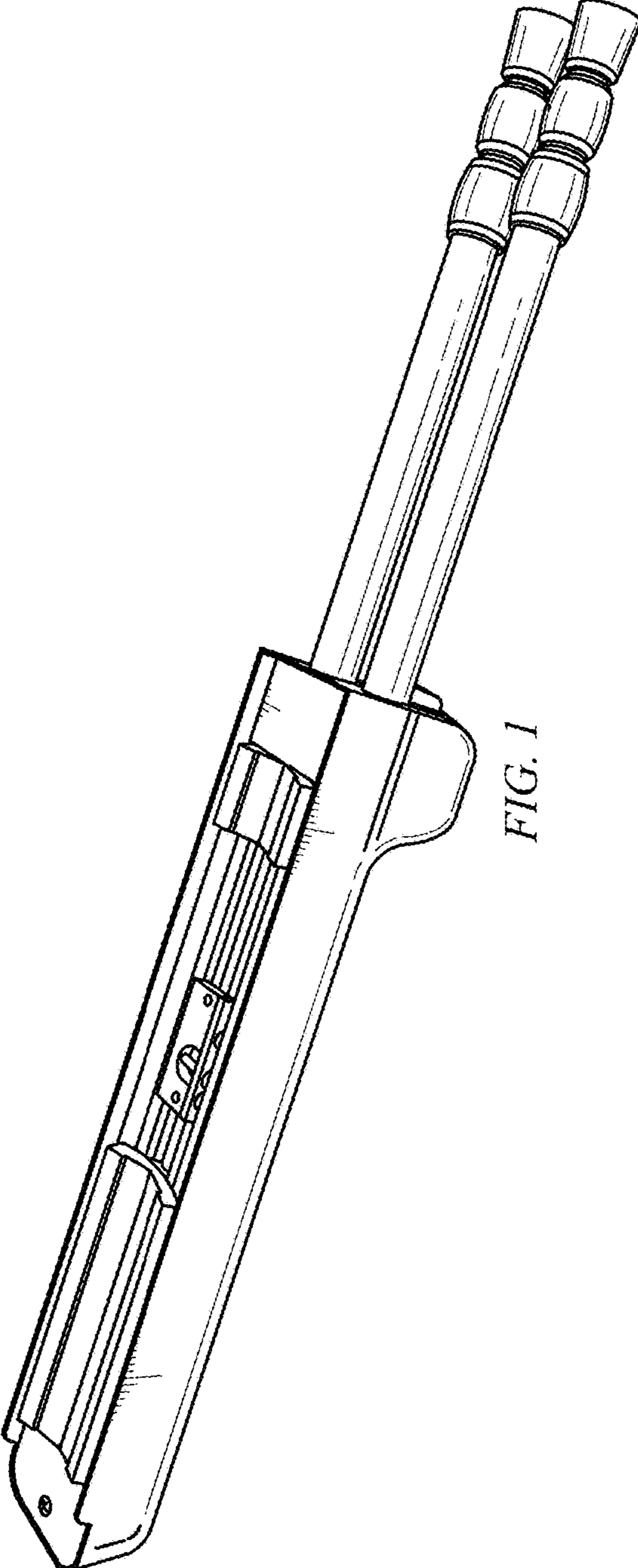
2012/0167437 A1* 7/2012 Holmberg A01M 31/002
42/90
2012/0186126 A1* 7/2012 Bartak F41A 31/002
42/90
2013/0174463 A1* 7/2013 Hinds F41A 23/04
42/94
2013/0232844 A1* 9/2013 Gallo A45B 3/00
42/94
2014/0190059 A1* 7/2014 Ballard F41C 23/16
42/94
2016/0084605 A1* 3/2016 Monti A63F 13/837
463/2
2016/0238336 A1* 8/2016 Bartak F41A 23/10
2016/0273863 A1* 9/2016 Hayes F41A 23/08
2017/0167817 A1* 6/2017 Hayes F41A 23/10
2017/0205180 A1* 7/2017 Ding F41A 23/02
2018/0058794 A1* 3/2018 Scalf F41A 23/10
2019/0093976 A1* 3/2019 Power F41A 23/10
2019/0154394 A1* 5/2019 Eccleshall F41A 23/10

OTHER PUBLICATIONS

465 FPS M187D APS SR-2 Modular Metal Bolt Action Sniper Rifle Scope & Bipod, posted at Air Rattle, review date Jun. 13, 2015. [Site visited Nov. 13, 2018] URL: <<https://www.airrattle.com/CYMA-APS-SR-2-Airsoft-Sniper-Rifle-p/m187d.htm>> (Year: 2015).*

Reloader Addict, The 4 Best AR15 Bipods, posted at Reloader Addict, posting date Aug. 22, 2015. [Site visited Nov. 13, 2018] URL: <<https://web.archive.org/web/20150822034340/http://www.reloaderaddict.com/best-ar-15-bipod-ar15-review/>> (Year: 2015).*

* cited by examiner



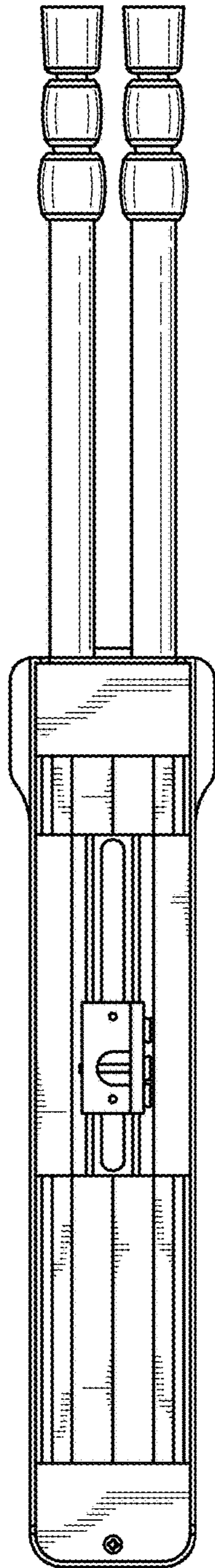


FIG. 2

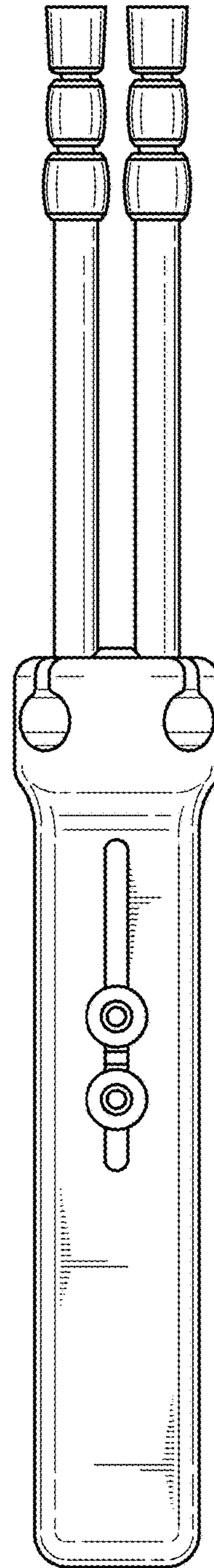


FIG. 3

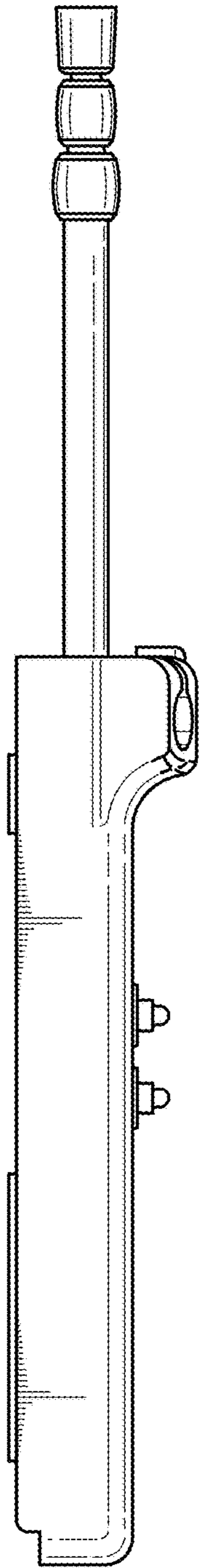


FIG. 4

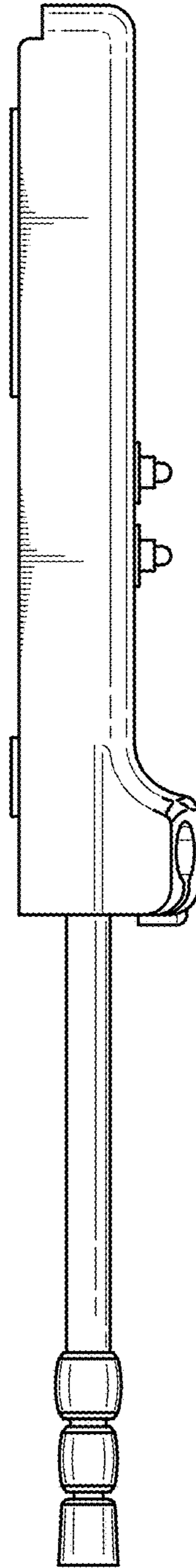


FIG. 5

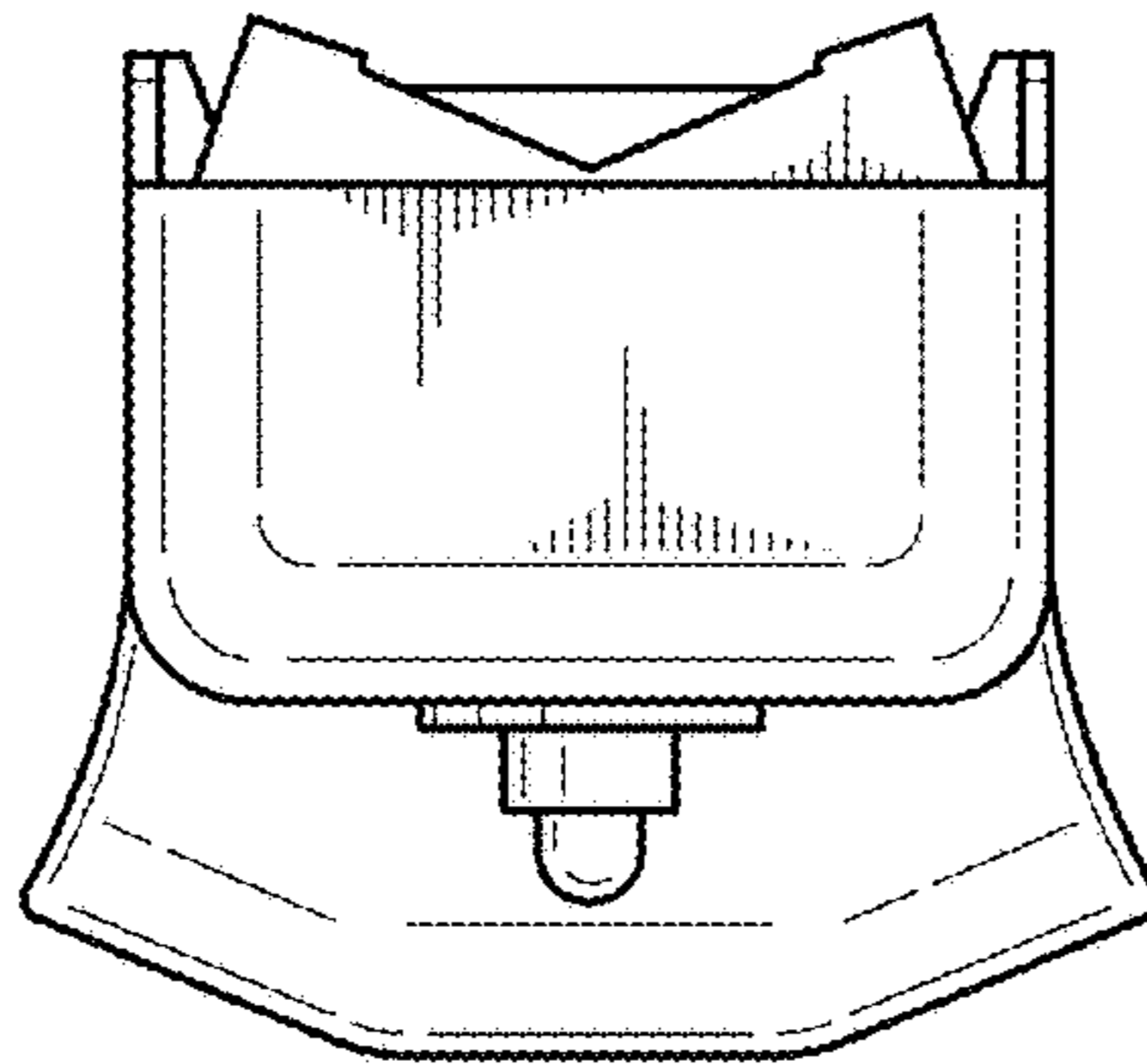


FIG. 6

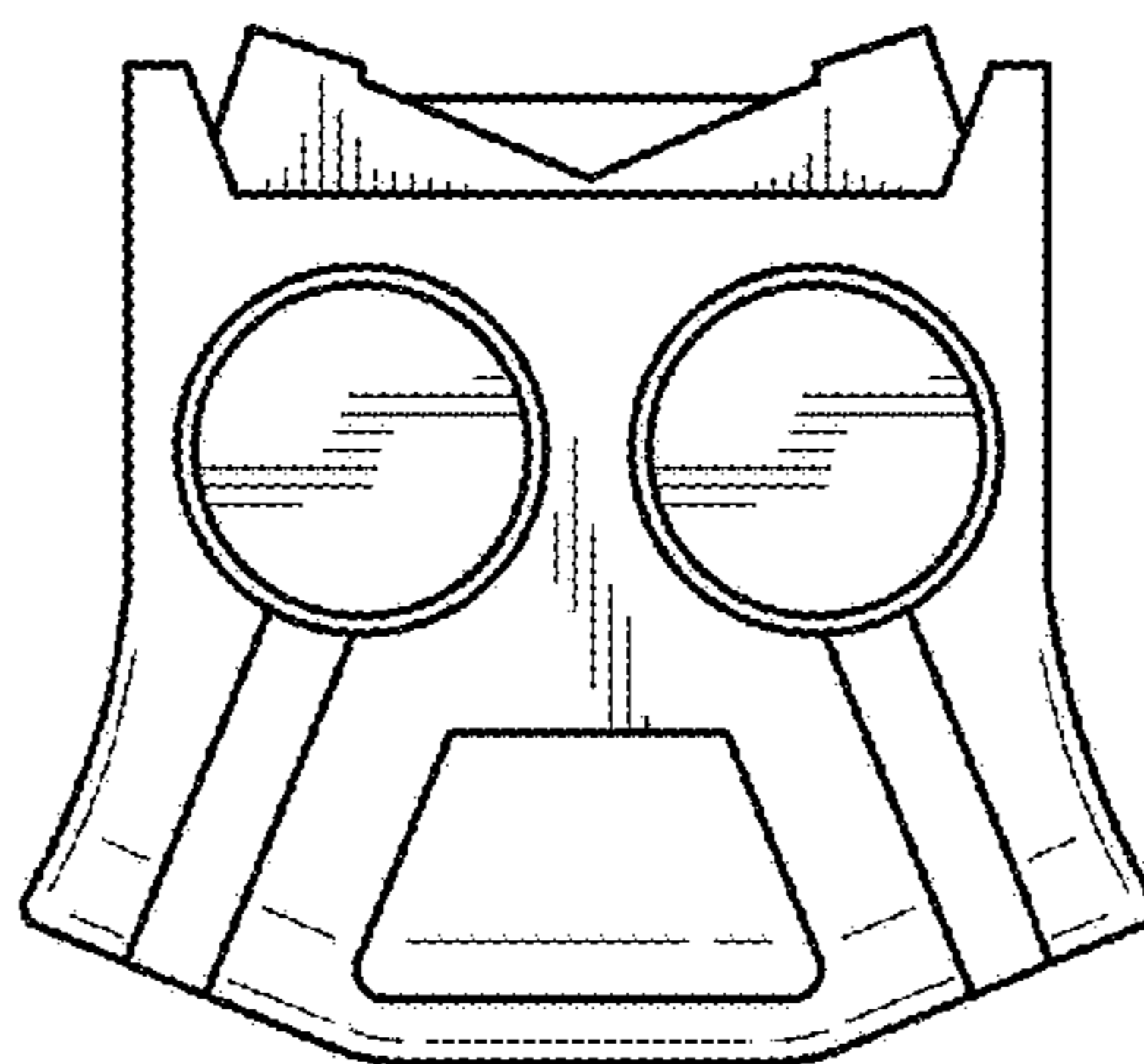


FIG. 7

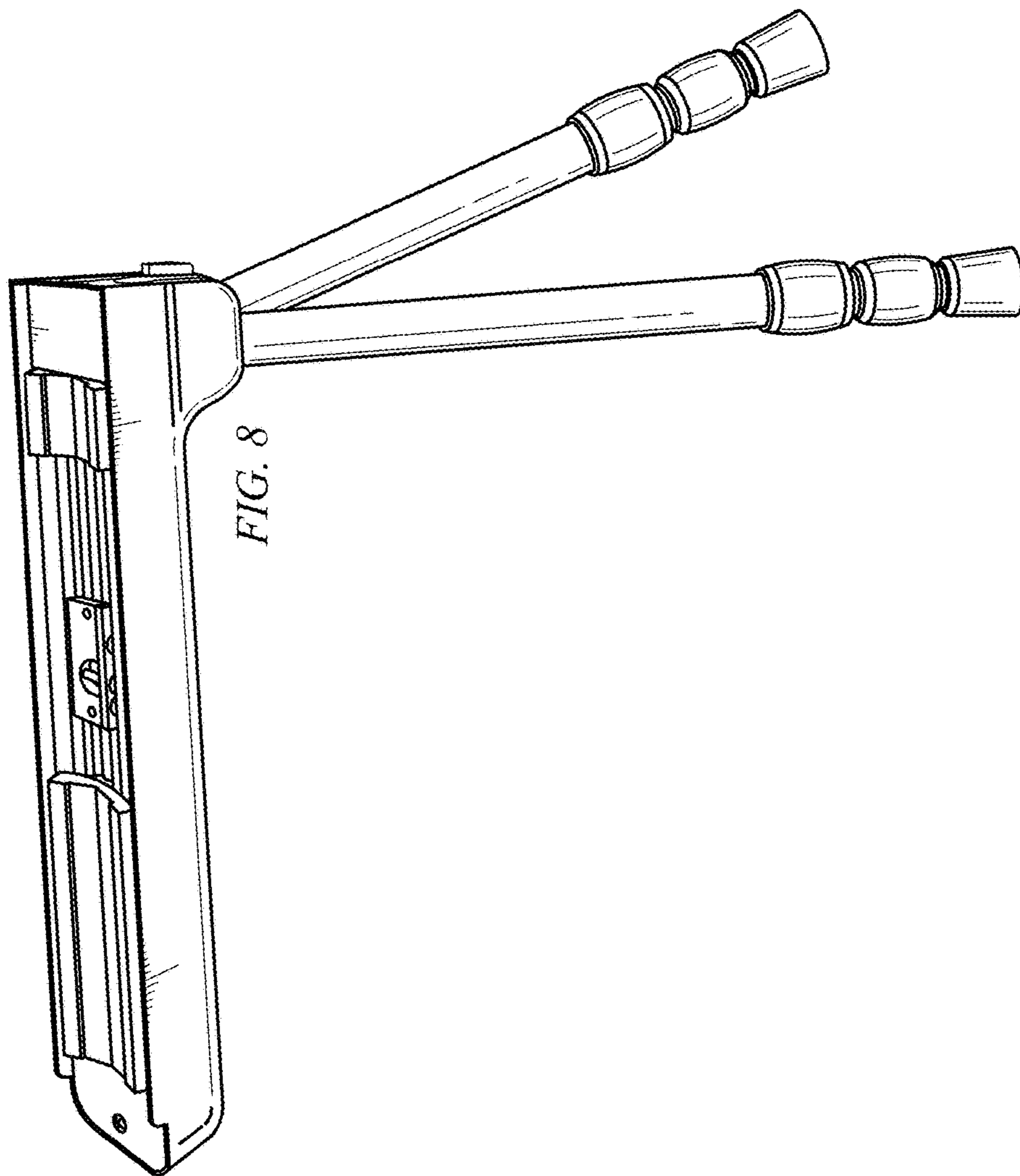
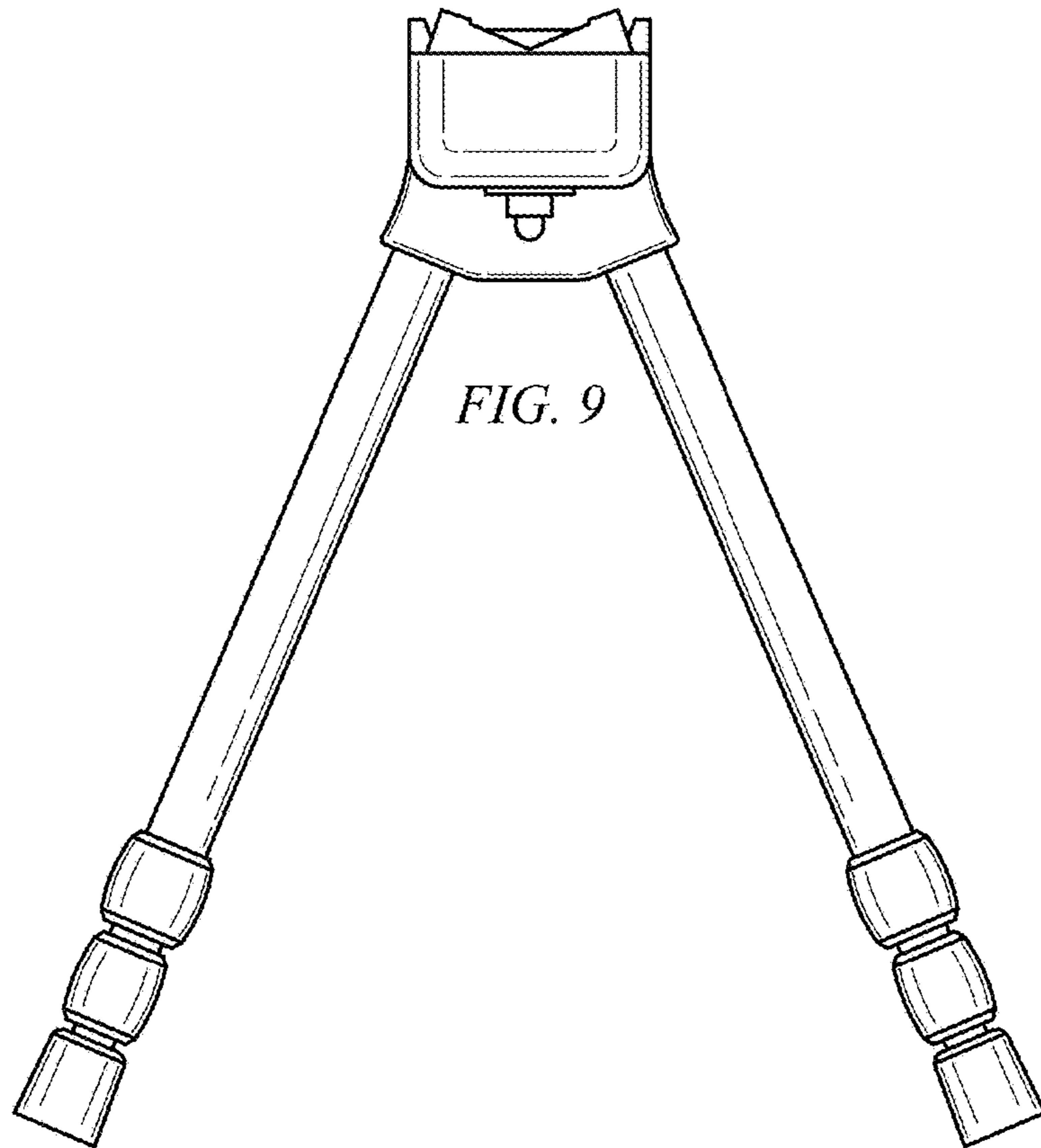


FIG. 8



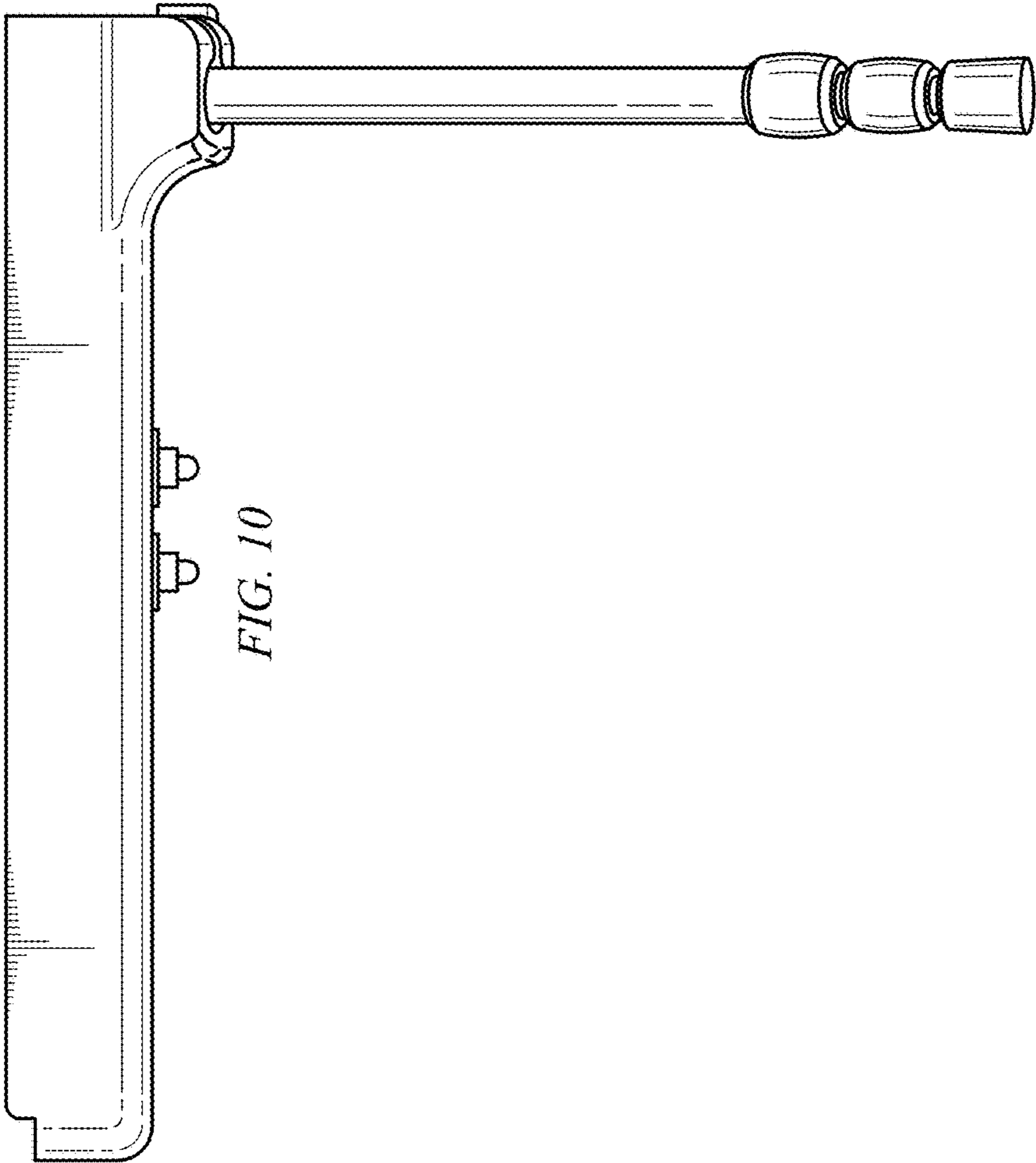


FIG. 10

