



US00D869591S

(12) **United States Design Patent**
Schuster

(10) **Patent No.:** **US D869,591 S**

(45) **Date of Patent:** **** Dec. 10, 2019**

(54) **NO TOOL PEEP FOR ARCHERY BOW**

(71) Applicant: **Specialty Archery, LLC**, Spencer, IA (US)

(72) Inventor: **Allan Schuster**, Spencer, IA (US)

(73) Assignee: **Specialty Achery, LLC**, Spencer, IA (US)

(**) Term: **15 Years**

(21) Appl. No.: **29/629,729**

(22) Filed: **Dec. 15, 2017**

(51) **LOC (12) Cl.** **22-01**

(52) **U.S. Cl.**
USPC **D22/107**

(58) **Field of Classification Search**
USPC D21/301, 304, 567, 570, 571, 573, 574, D21/575, 746; D22/100, 101, 102, 103, D22/106, 107, 108, 109, 110, 111, 112, D22/115, 116, 199
CPC F41A 3/26; F41A 3/12; F41A 5/02; F41A 17/22; F41B 5/143; F41B 5/14; F41B 5/066; F41B 7/08; F41B 5/1446; F41B 5/148; F41B 5/1465; F42B 6/04; F42B 6/08; F42B 6/02; F42B 6/06; F42B 12/362; F41C 23/16; F41C 27/00; F41C 7/00; F41G 11/003; F41G 11/001; F41G 11/004; F41G 11/005; A63H 5/04

See application file for complete search history.

(56) **References Cited**

U.S. PATENT DOCUMENTS

- | | | | |
|---------------|---------|----------|----------------------------|
| 3,410,644 A | 11/1968 | McLendon | |
| 3,703,771 A | 11/1972 | Saunders | |
| 4,011,853 A * | 3/1977 | Fletcher | F41G 1/467
124/87 |
| 4,116,194 A | 9/1978 | Topel | |
| 4,552,121 A | 11/1985 | Treaster | |
| 4,656,747 A | 4/1987 | Troncoso | |

- | | | | |
|---------------|---------|-------------|----------------------------|
| 4,833,786 A * | 5/1989 | Shores, Sr. | F41G 1/467
33/265 |
| 4,934,332 A * | 6/1990 | Scherz | F41G 1/467
124/87 |
| 4,961,264 A | 10/1990 | Topel | |
- (Continued)

OTHER PUBLICATIONS

“Meta Pro Peeps” [online]. G5 Outdoors. [Retrieved on Dec. 24, 2018]. Retrieved from the Internet: <<http://shop.g5outdoors.com/meta-pro-peeps>>.*

(Continued)

Primary Examiner — Khawaja Anwar

Assistant Examiner — Mojtaba Tehrani

(74) *Attorney, Agent, or Firm* — Briggs and Morgan, P.A.; Gerald E. Helget

(57) **CLAIM**

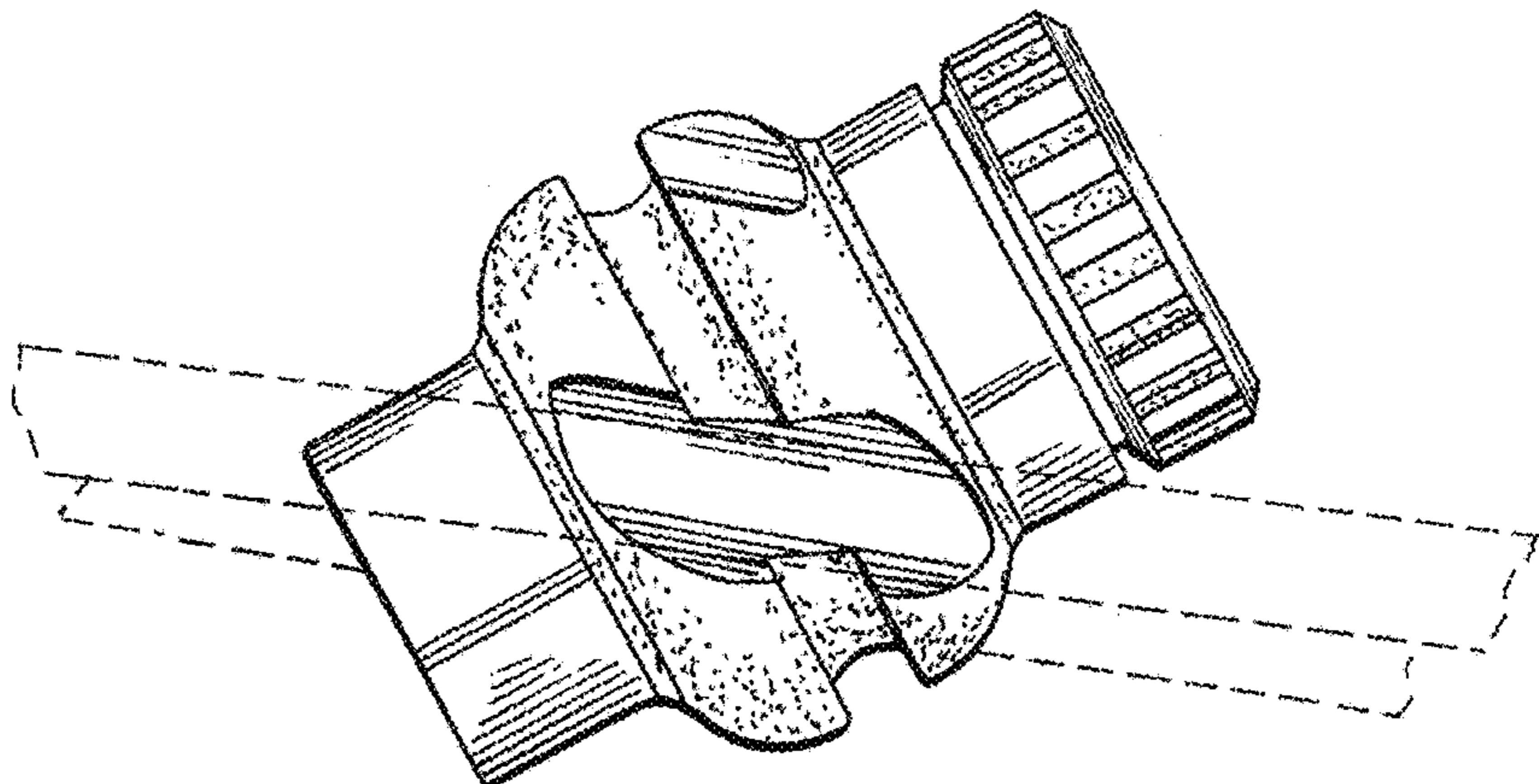
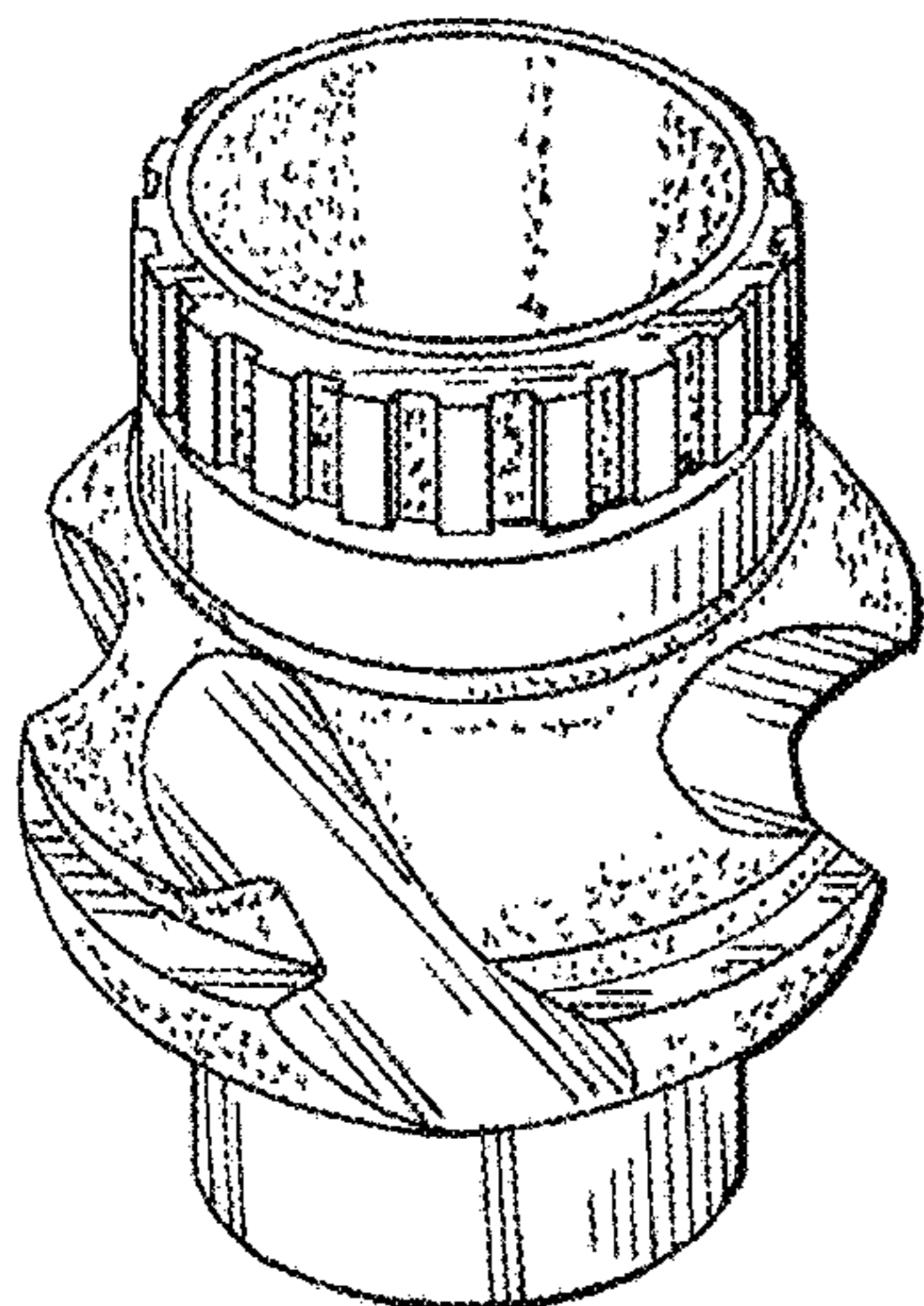
The ornamental design for a no tool peep for archery bow, as shown and described.

DESCRIPTION

FIG. 1 is a front perspective of a no tool peep for archery bow, showing my new design.
 FIG. 2 is a top plan view thereof;
 FIG. 3 is a bottom plan view thereof;
 FIG. 4 is a left side elevation view thereof;
 FIG. 5 is a front elevational view thereof;
 FIG. 6 is a right side elevational view thereof;
 FIG. 7 is a rear elevational view thereof; and,
 FIG. 8 is a perspective view thereof in a condition of use. The broken line drawing of the bow string is for environmental purposes only and form no part of the claimed design.

The broken line in FIGS. 1 through 7 depicts unclaimed portion of the peep only, and the broken line in FIG. 8 depicts unclaimed environmental structure only. The broken line forms no part of the claimed design.

1 Claim, 2 Drawing Sheets



(56)

References Cited

U.S. PATENT DOCUMENTS

4,965,938 A 10/1990 Saunders
 5,137,007 A 8/1992 Shoemake et al.
 5,347,976 A * 9/1994 Saunders F41G 1/467
 124/87
 5,669,146 A 9/1997 Beutler
 5,697,357 A 12/1997 Chipman
 6,058,921 A 5/2000 Lawrence et al.
 6,170,164 B1 1/2001 Knowles
 6,397,482 B1 6/2002 Chipman
 7,047,652 B1 5/2006 Chipman
 7,543,389 B2 * 6/2009 Grace, Jr. F41G 1/467
 124/87
 D606,158 S * 12/2009 Swan D22/108
 7,698,824 B2 * 4/2010 Wilson F41G 1/01
 124/87
 D676,919 S * 2/2013 Delgado Acarreta D22/108
 D683,419 S * 5/2013 Rebar D22/116
 8,453,336 B2 * 6/2013 LoRocco F41G 1/467
 124/87
 8,544,180 B2 * 10/2013 Minica F41G 1/467
 124/90

D755,915 S * 5/2016 Hakl D22/107
 D781,981 S * 3/2017 Wolf D22/107
 D789,480 S * 6/2017 Olsen D22/108
 D813,338 S * 3/2018 Meinert D22/108
 10,012,473 B2 * 7/2018 Munsell F41G 1/467
 2008/0066328 A1 * 3/2008 Bohn F41G 1/467
 33/265
 2011/0186028 A1 * 8/2011 VandeWater F41G 1/467
 124/87
 2013/0167425 A1 * 7/2013 Crispin F41G 1/38
 42/119

OTHER PUBLICATIONS

“Total Peep Sight” [online]. Total Peep. [Retrieved on Dec. 24, 2018]. Retrieved from the Internet: <<https://plusarrows.com/collections/featured-products/products/total-peep-sight>>.*
 “Hyperopia” definition provided by “Wikipedia, the free encyclopedia” from their internet website “<http://en.wikipedia.org/wiki/Hyperopia>” printed on Jul. 24, 2005.

* cited by examiner

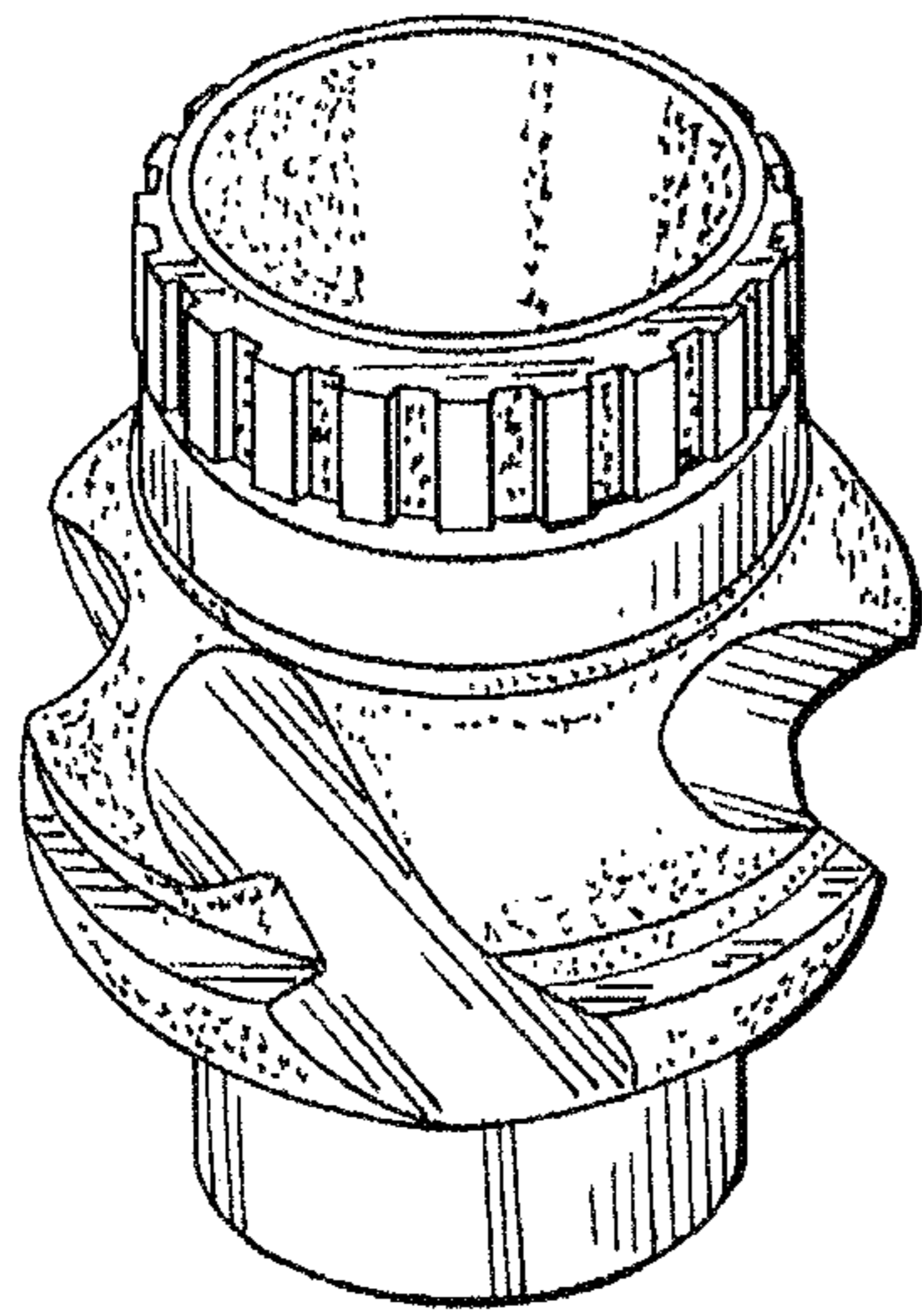


Fig. 1

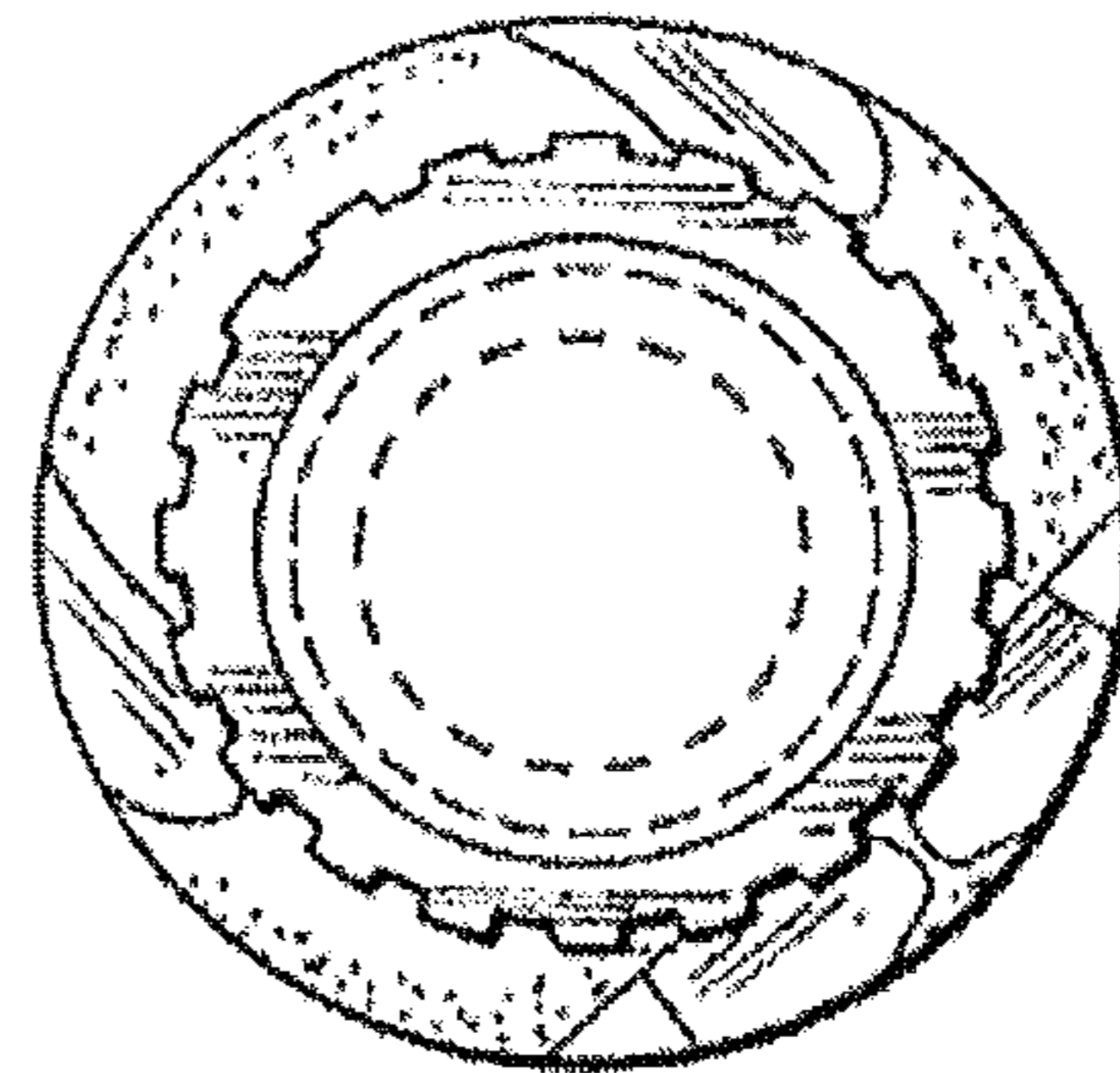


Fig. 2

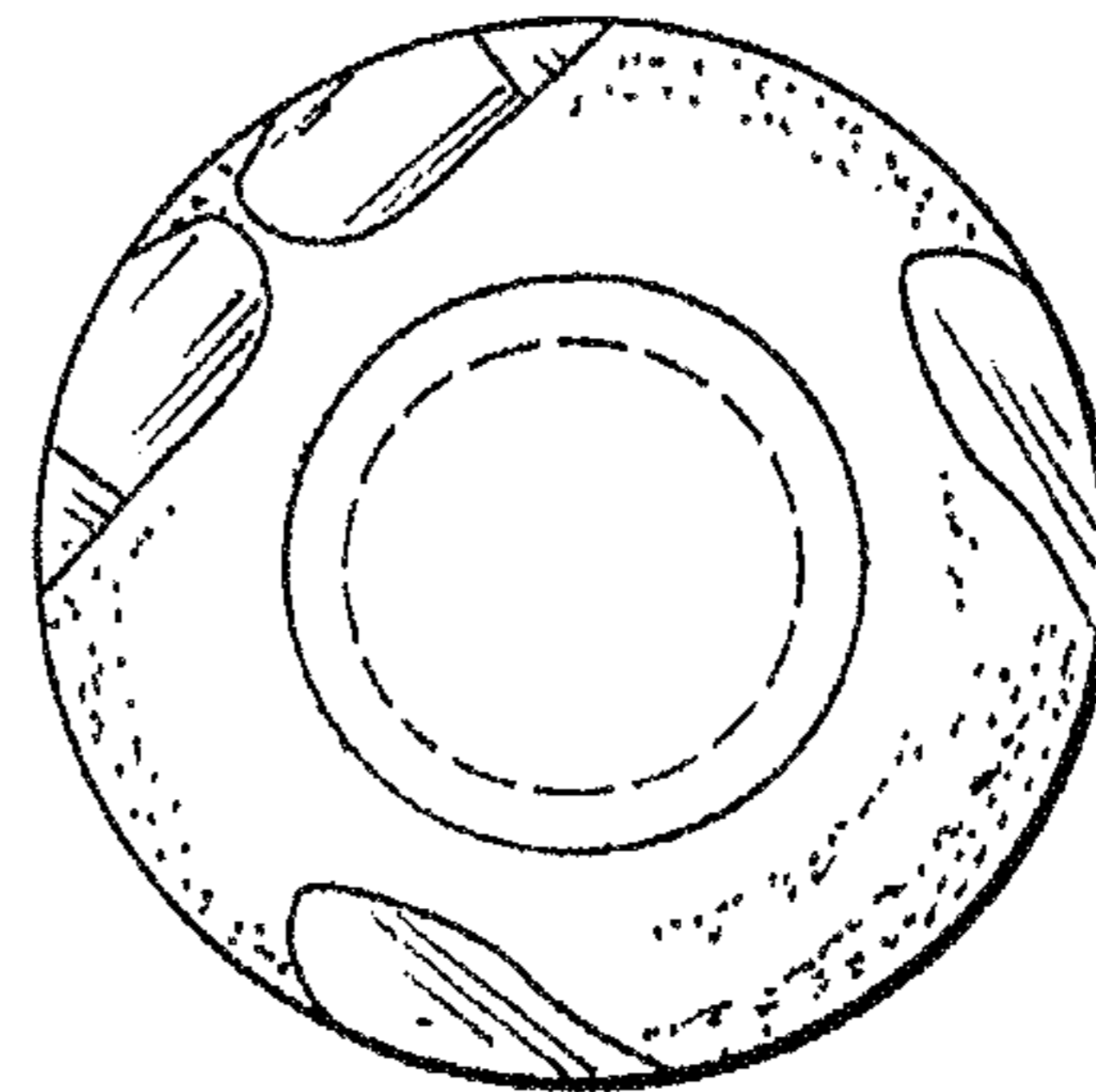


Fig. 3

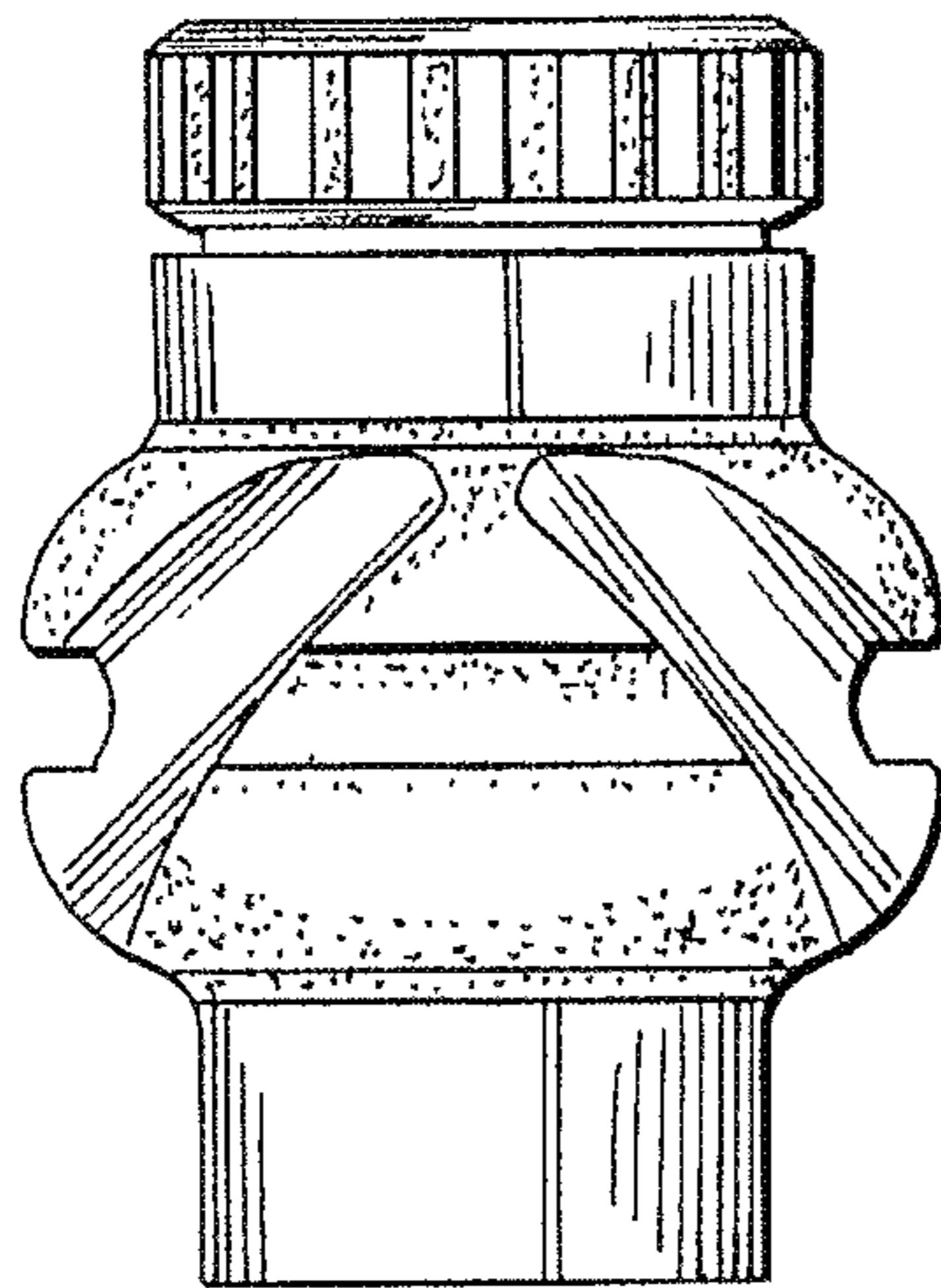


Fig. 4

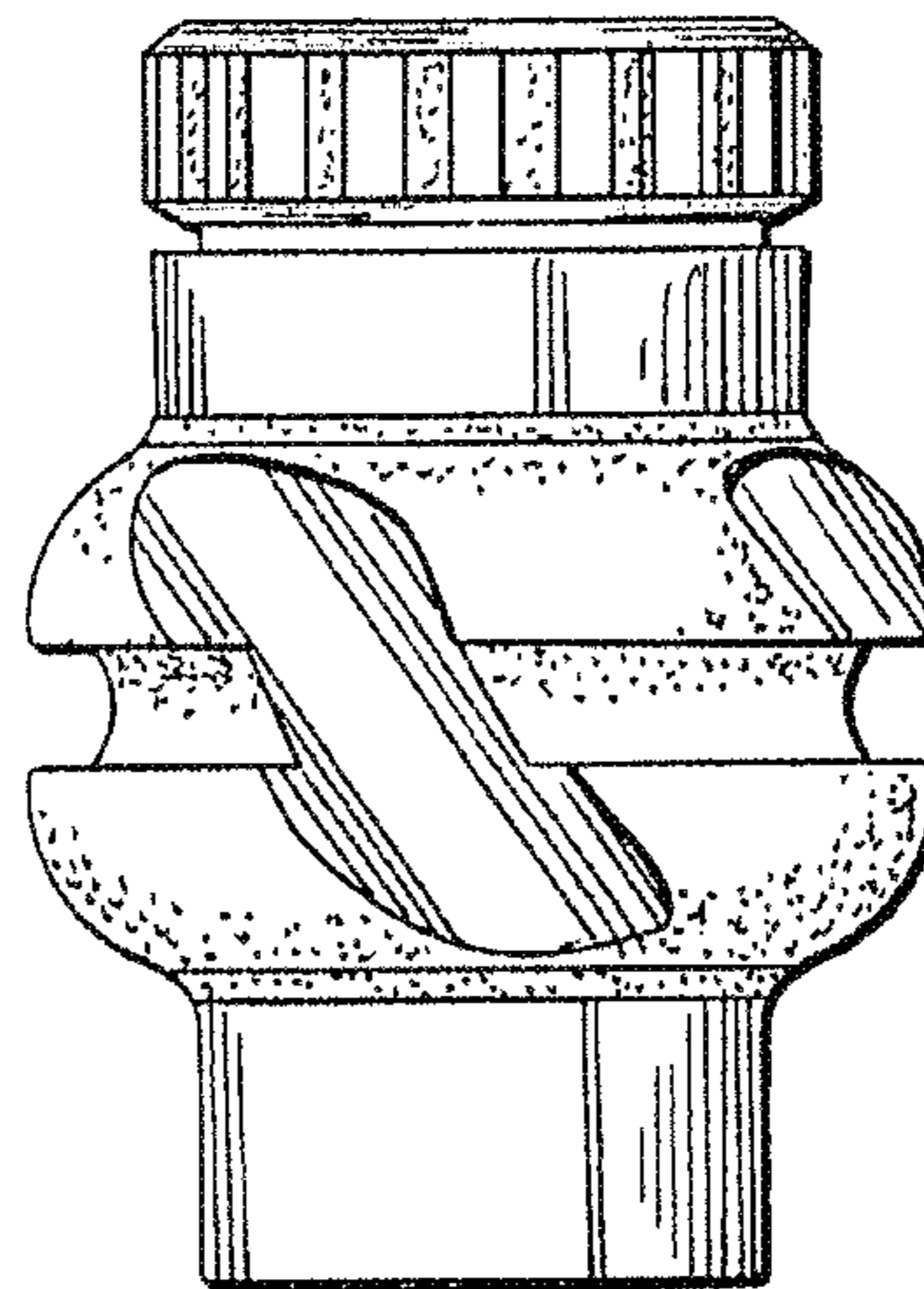


Fig. 5

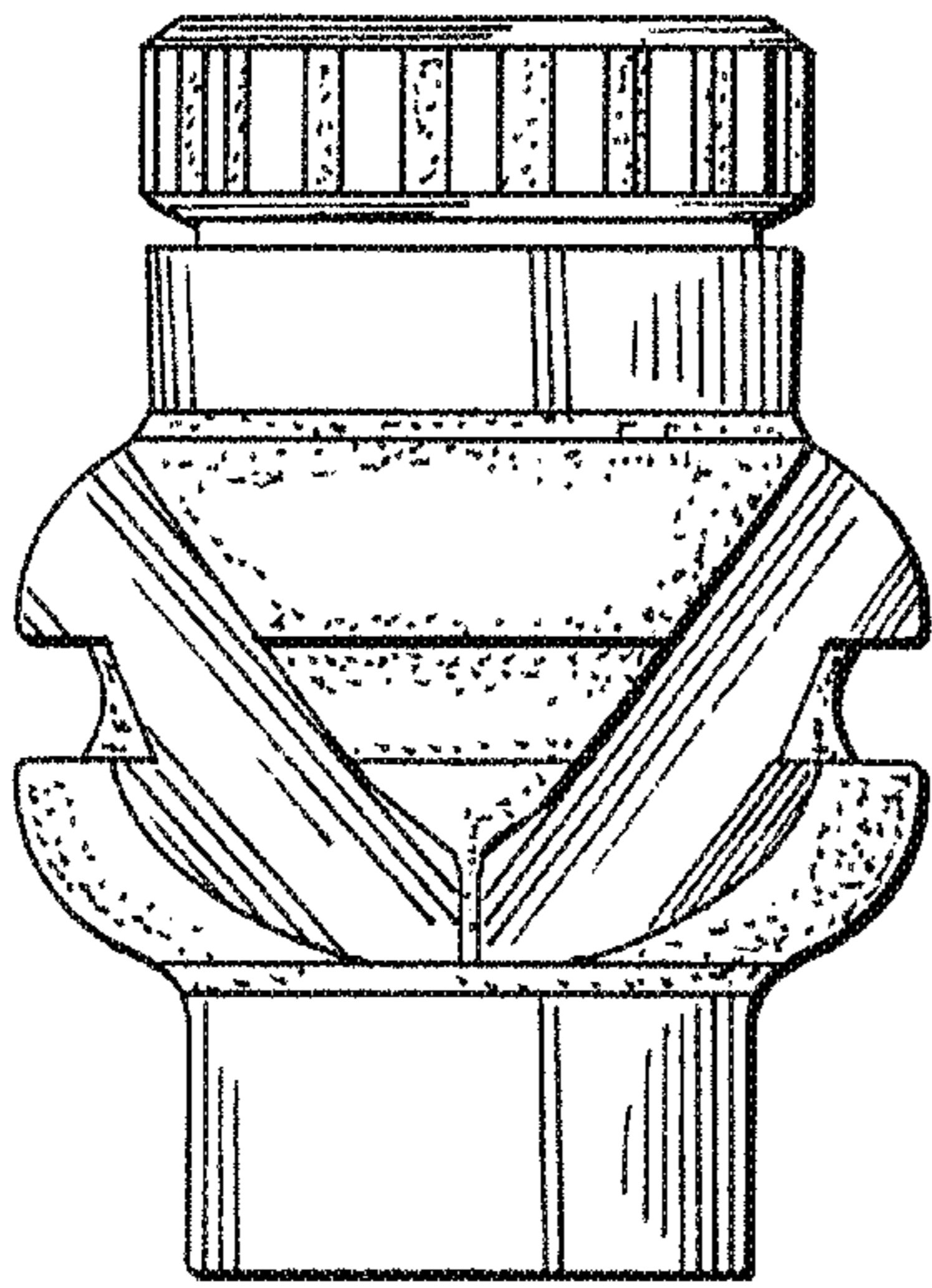


Fig. 6

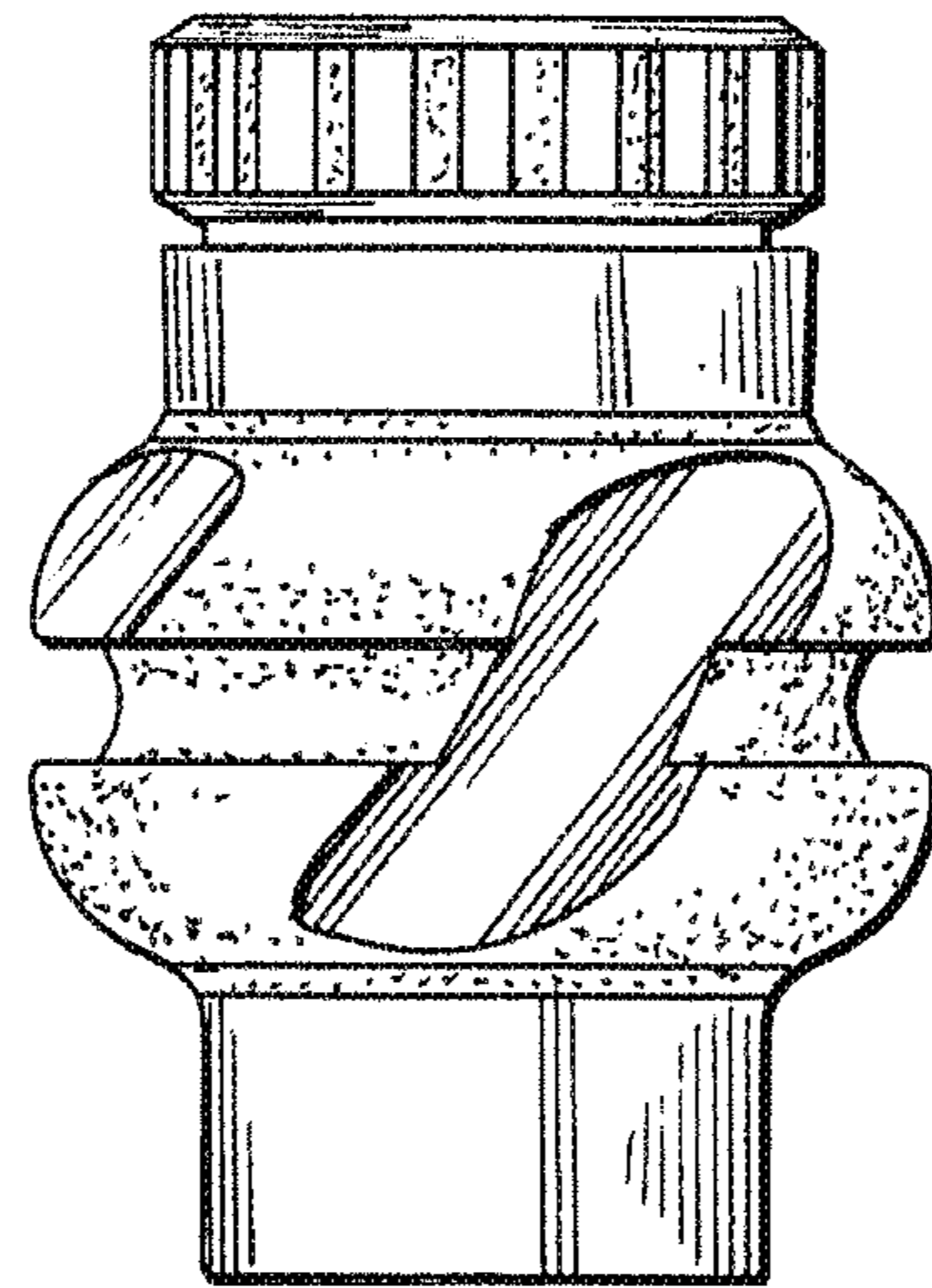


Fig. 7

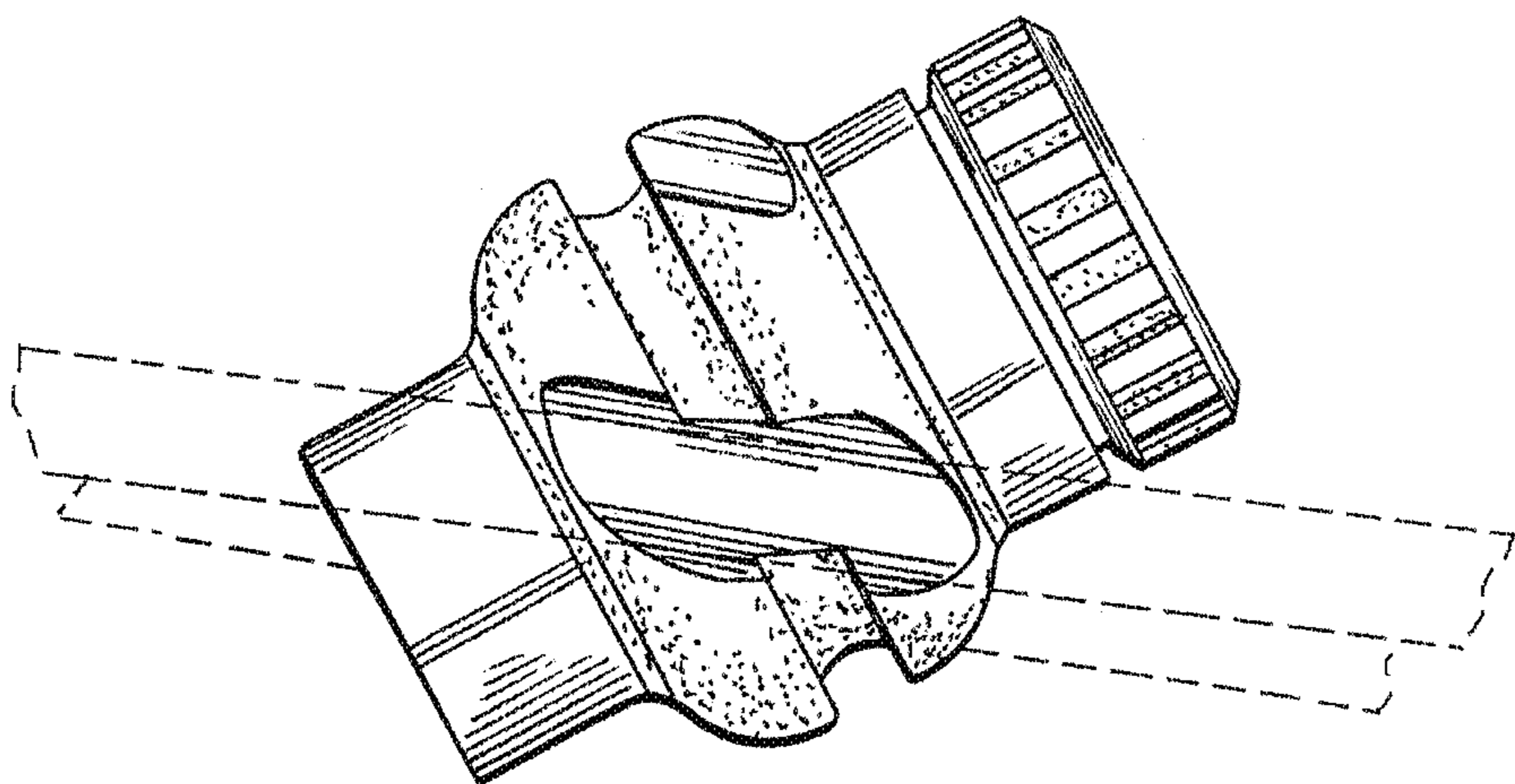


Fig. 8