

US00D869590S

(12) **United States Design Patent**
Sekreter et al.

(10) **Patent No.:** **US D869,590 S**

(45) **Date of Patent:** **** Dec. 10, 2019**

- (54) **WATER PLAY STRUCTURE**
- (71) Applicant: **Polin Su Parklari ve Havuz Sistemleri Anonim Şirketi, Kocaeli (TR)**
- (72) Inventors: **Volkan Sekreter, Kocaeli (TR); Utku Onursal Gülistanoğlu, Kocaeli (TR); Atalay Batuhan Soral, Kocaeli (TR); Tarik Ataş, Kocaeli (TR)**
- (73) Assignee: **Polin Su Parklari ve Havuz Sistemleri Anonim Sirketi, Kocaeli (TR)**
- (**) Term: **15 Years**
- (21) Appl. No.: **29/648,334**
- (22) Filed: **May 21, 2018**

- 4,378,216 A * 3/1983 Phillips G09B 17/00
434/159
- D269,104 S * 5/1983 Brown D21/819
- D269,105 S * 5/1983 Brown D21/819
- D269,106 S * 5/1983 Brown D21/819
- D269,107 S * 5/1983 Brown D21/819
- 5,820,471 A * 10/1998 Briggs A63B 9/00
472/128
- 5,853,332 A * 12/1998 Briggs A63B 9/00
472/128
- D460,141 S * 7/2002 Gourchounian D21/820
- D522,082 S * 5/2006 Peterson D21/818
- D540,413 S * 4/2007 McKee D21/818
- D556,287 S * 11/2007 Robinson D21/819
- D556,288 S * 11/2007 Robinson D21/815
- D556,849 S * 12/2007 Ferraro, Sr. D21/815
- D557,368 S * 12/2007 Berenson D21/818
- D557,369 S * 12/2007 Robinson D21/818
- D595,801 S * 7/2009 Boulton D21/819
- D597,163 S * 7/2009 Boulton D21/819
- D597,624 S * 8/2009 Boulton D21/819
- D619,186 S * 7/2010 Strall D21/818

- (30) **Foreign Application Priority Data**
- Nov. 20, 2017 (TR) 2017/07703
- (51) **LOC (12) Cl.** **21-03**
- (52) **U.S. Cl.**
USPC **D21/820**
- (58) **Field of Classification Search**
USPC D21/811, 814, 818-821, 826, 827, 832,
D21/833, 835
CPC A63G 21/00-21/22; A63B 9/00; A63B
2009/006; A63B 2009/008; A63B
2208/12
See application file for complete search history.

(Continued)

Primary Examiner — Mitchell I. Siegel
 (74) *Attorney, Agent, or Firm* — Gokalp Bayramoglu

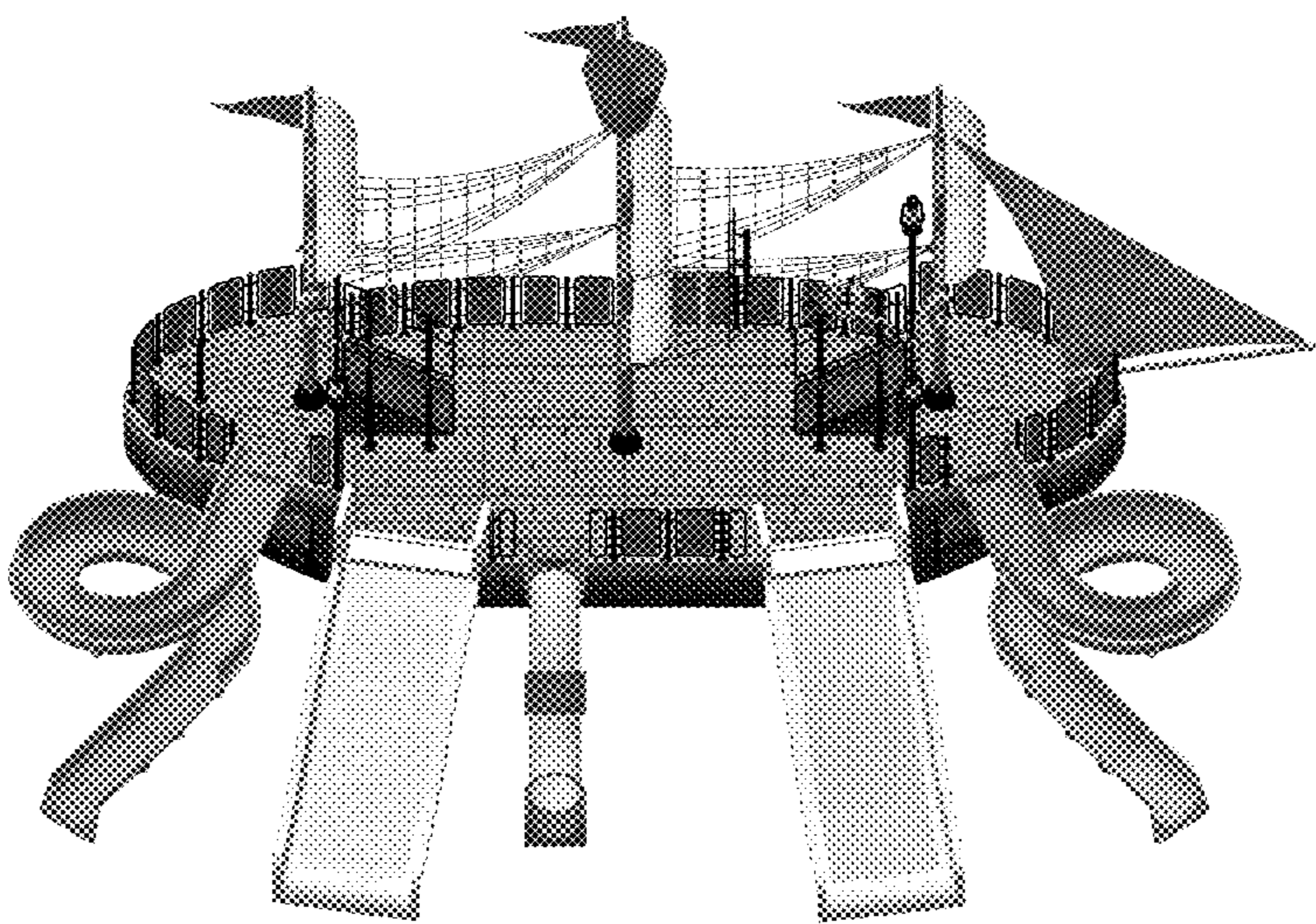
- (56) **References Cited**
U.S. PATENT DOCUMENTS
- D238,694 S * 2/1976 Jamison D21/821
- D256,827 S * 9/1980 Allen, III D21/819
- D256,828 S * 9/1980 Allen, III D21/819
- D256,940 S * 9/1980 Allen, III D21/819
- D266,346 S * 9/1982 Millay D21/819

(57) **CLAIM**
 The ornamental design for a water play structure, as shown and described.

DESCRIPTION

FIG. 1 is a top view of a water play structure showing our new design;
 FIG. 2 is a front view thereof;
 FIG. 3 is a rear view thereof;
 FIG. 4 is a left side view thereof;
 FIG. 5 is a right side view thereof;
 FIG. 6 is a top and right perspective view thereof;
 FIG. 7 is a top and left perspective view thereof;
 FIG. 8 is a top and front perspective view thereof; and,
 FIG. 9 is a top and rear perspective view thereof.

1 Claim, 9 Drawing Sheets



(56)

References Cited

U.S. PATENT DOCUMENTS

7,775,850	B2 *	8/2010	Todokoro	A63H 23/10 446/156
7,789,804	B1 *	9/2010	Phillips	A63B 69/18 482/35
D637,253	S *	5/2011	Hunter	D21/819
D641,823	S *	7/2011	Hunter	D21/819
D650,463	S *	12/2011	Degirmenci	D21/819
D726,274	S *	4/2015	Kasahara	D21/818
D730,469	S *	5/2015	Chen	D21/819
D730,470	S *	5/2015	Chen	D21/819
D758,517	S *	6/2016	Gonzalez	D21/818
D807,978	S *	1/2018	Keller	D21/814
D815,709	S *	4/2018	Wang	D21/818
D822,782	S *	7/2018	Wang	D21/820
D824,471	S *	7/2018	Bagumyan	D21/818
D825,016	S *	8/2018	Wang	D21/818
D838,331	S *	1/2019	Ozsoz	D21/819
D838,799	S *	1/2019	Ozsoz	D21/819
D838,800	S *	1/2019	Ozsoz	D21/819

* cited by examiner

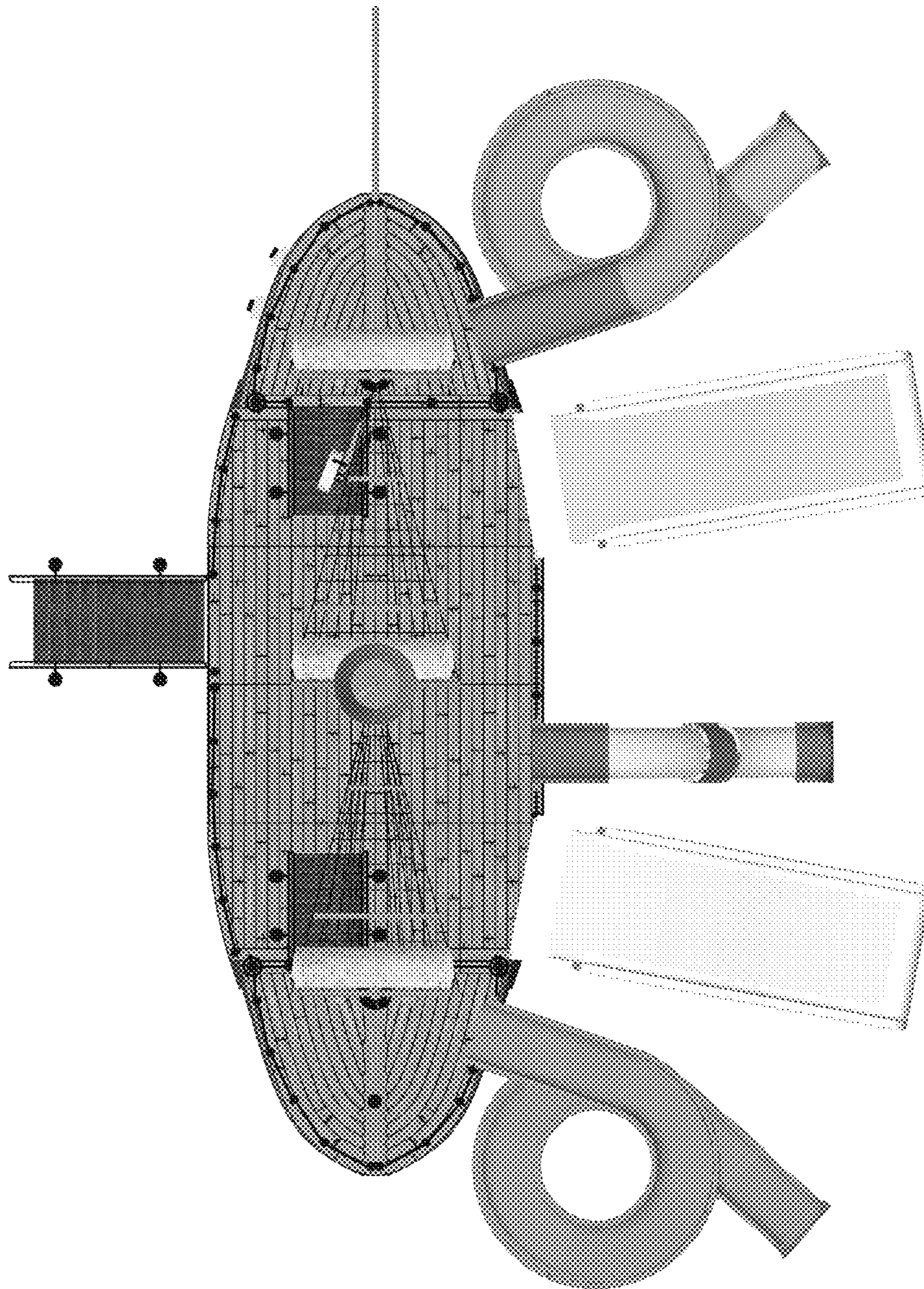


FIG. 1

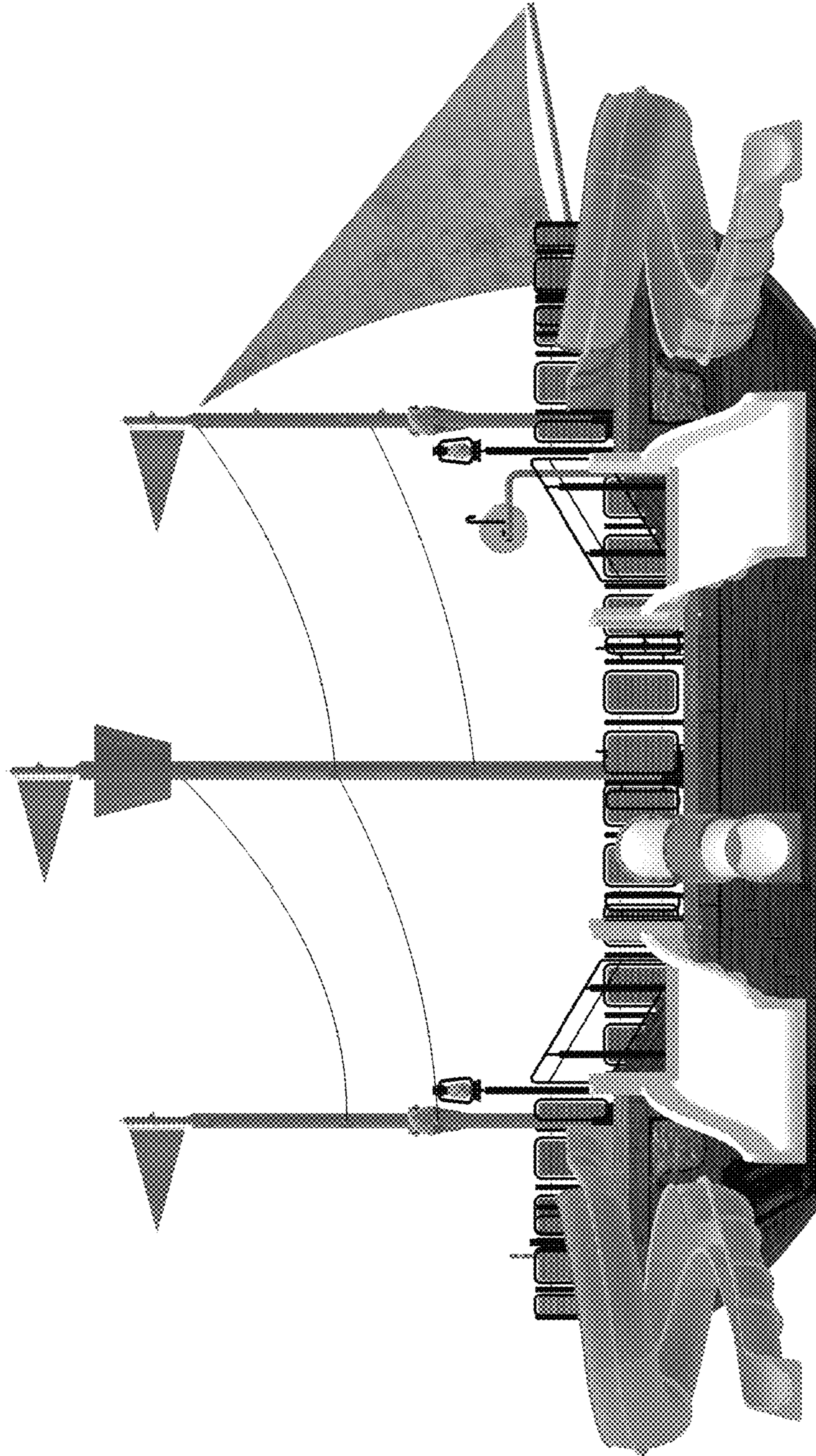


FIG. 2

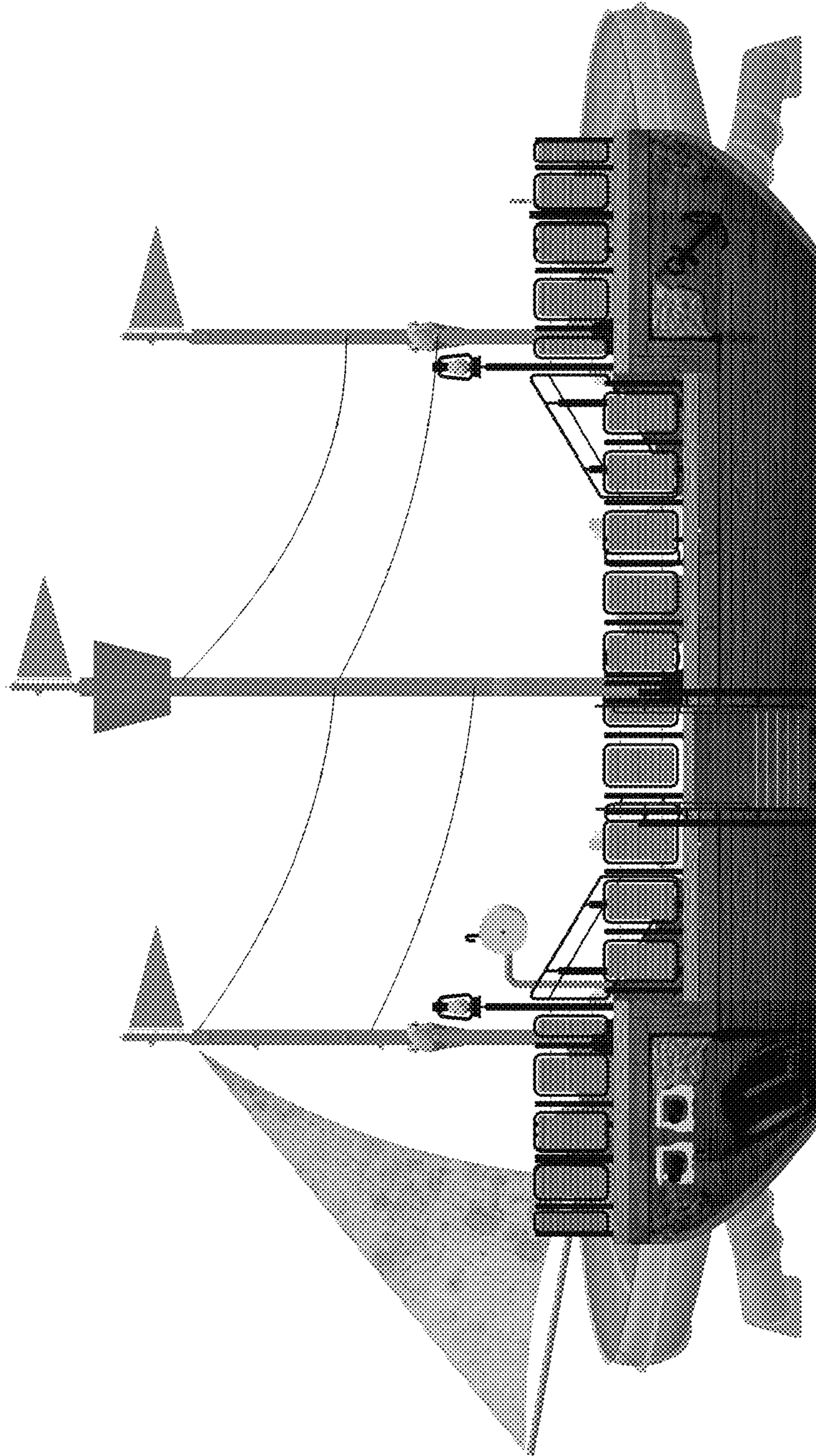


FIG. 3

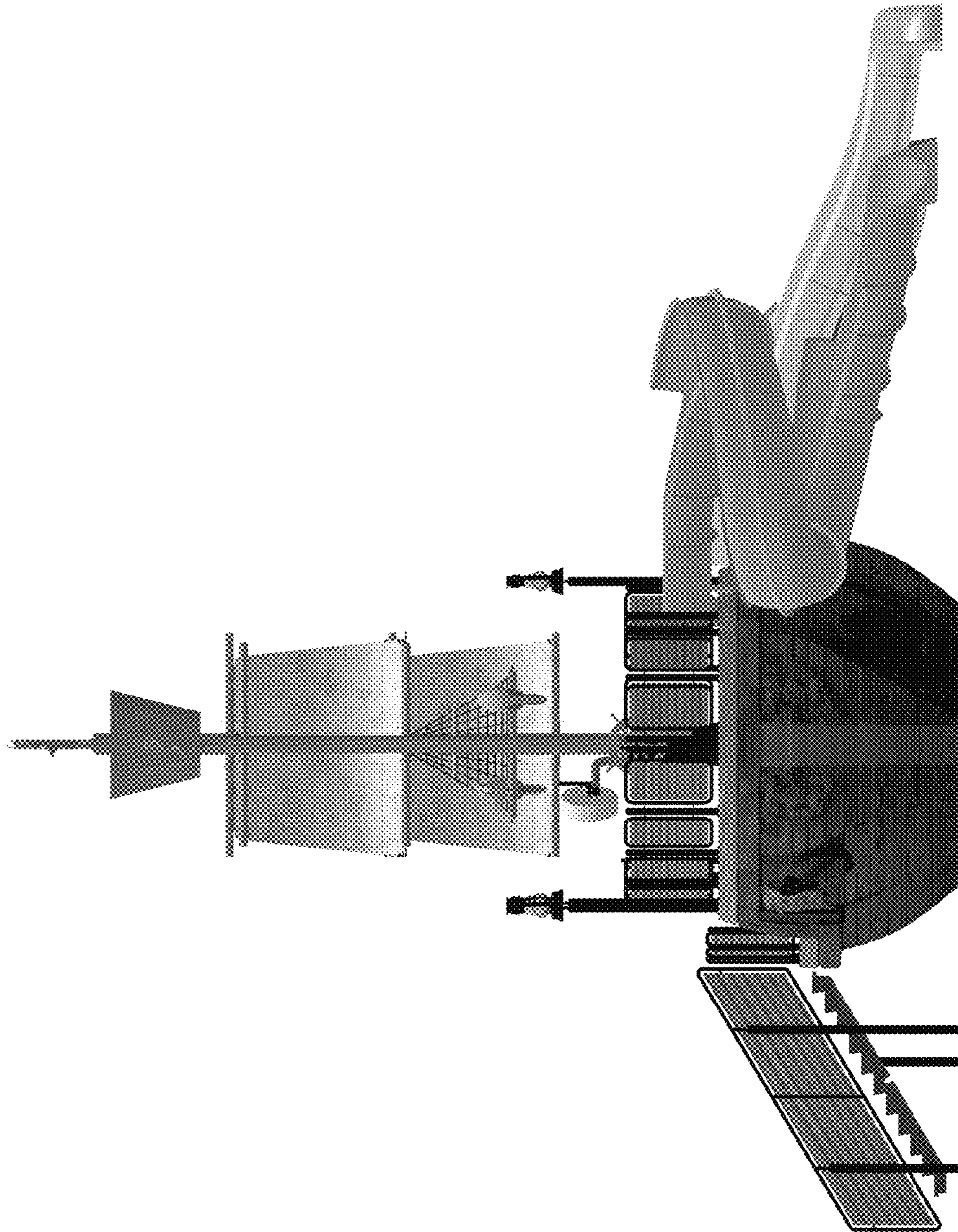


FIG. 4

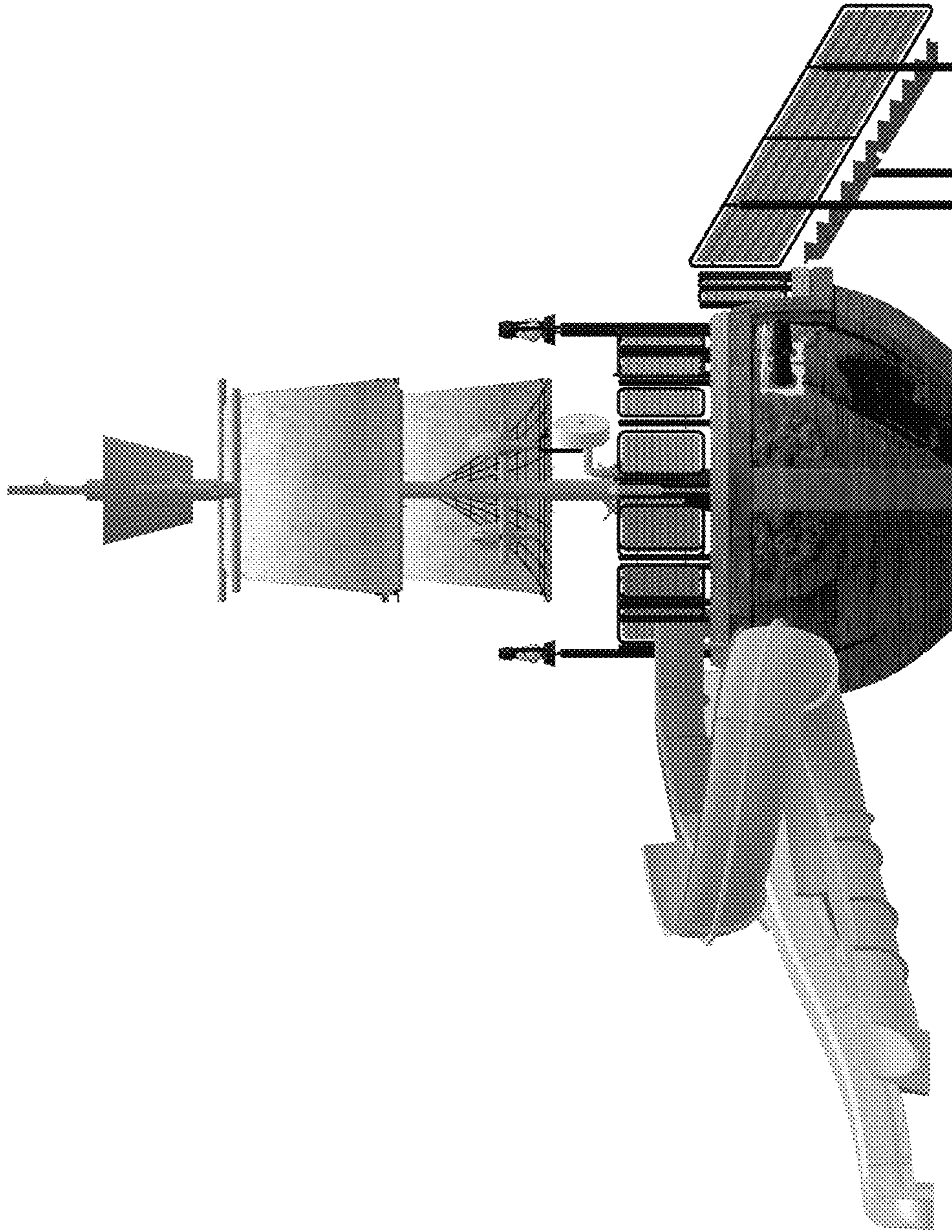


FIG. 5

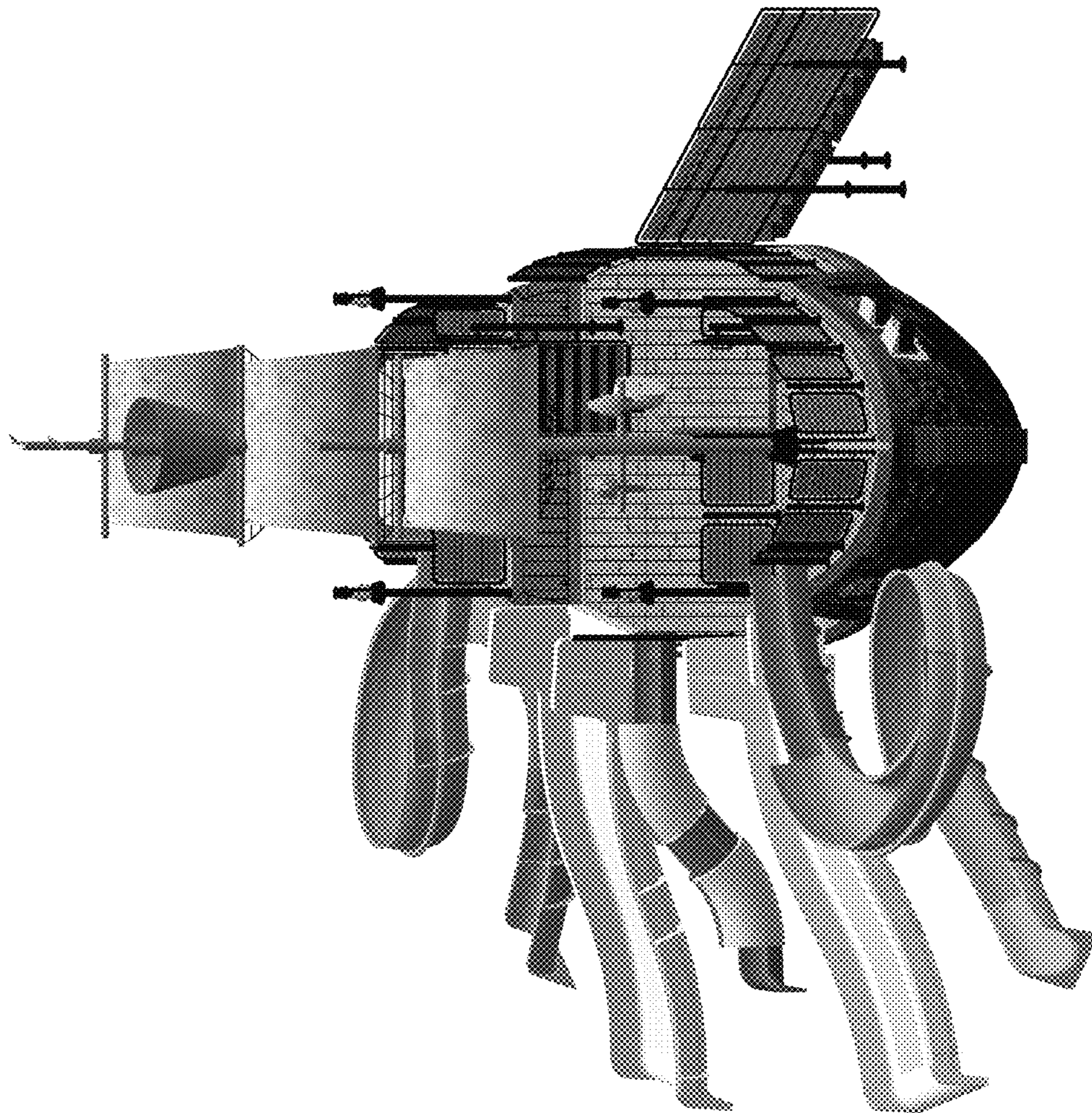


FIG. 6

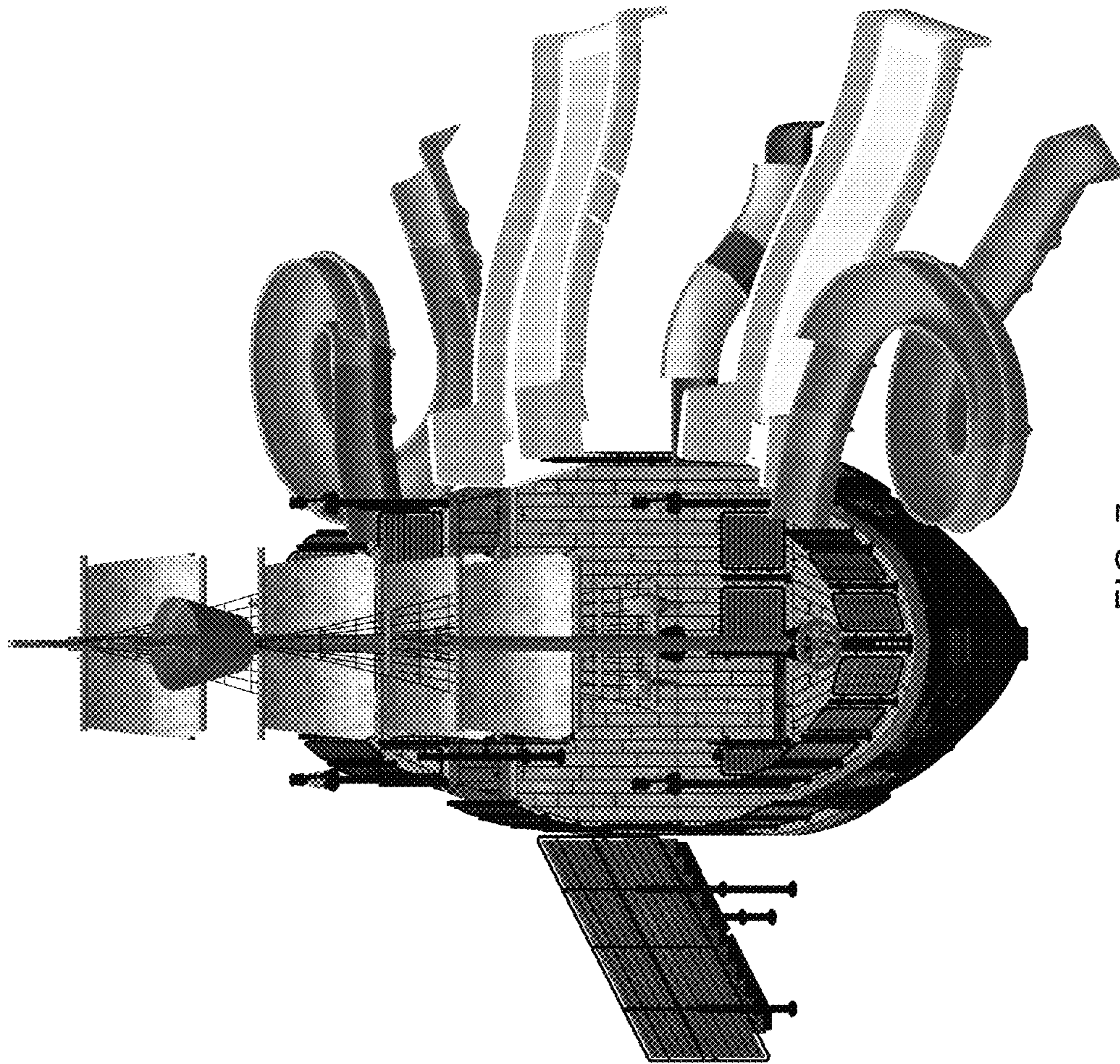


FIG. 7

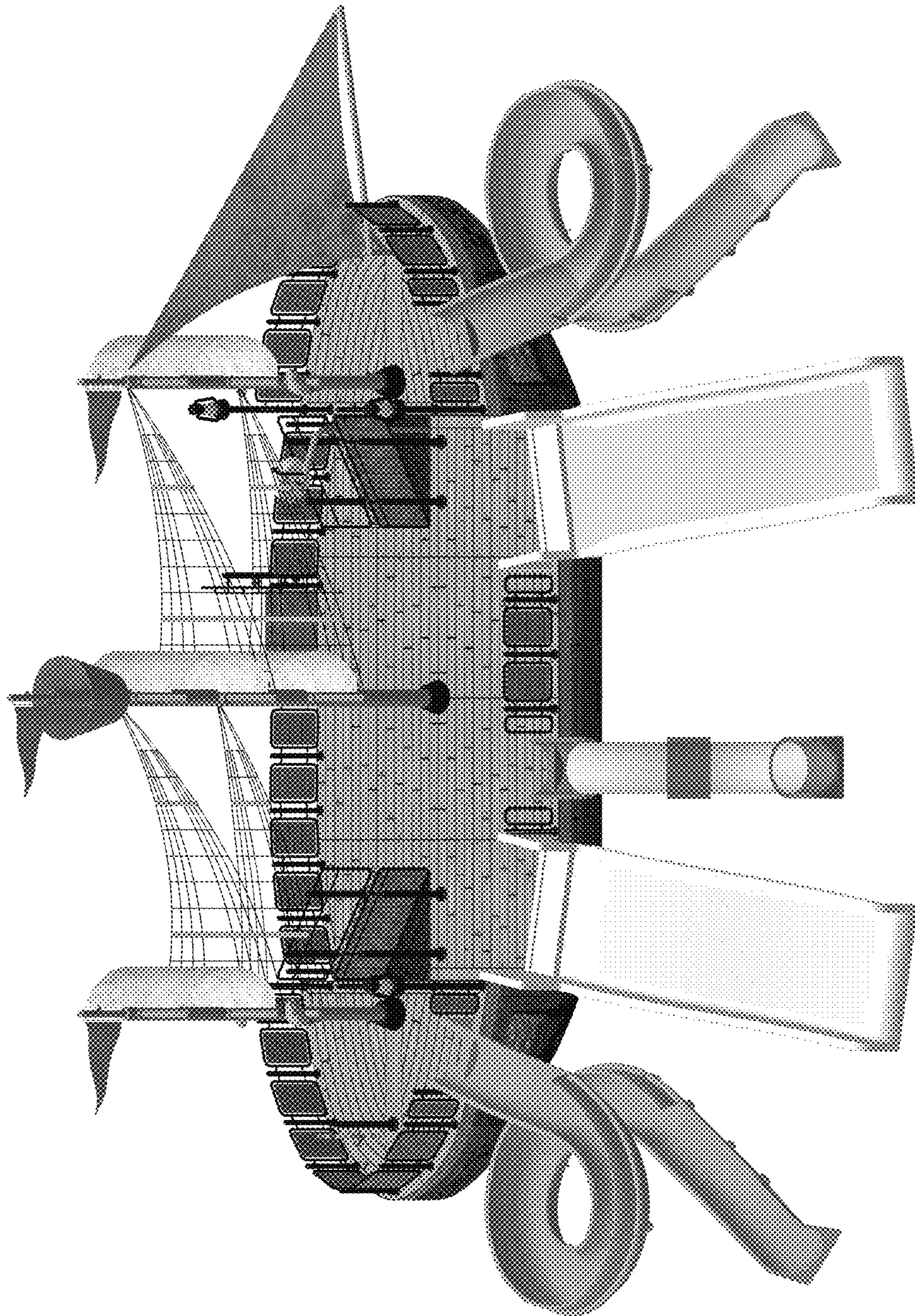


FIG. 8

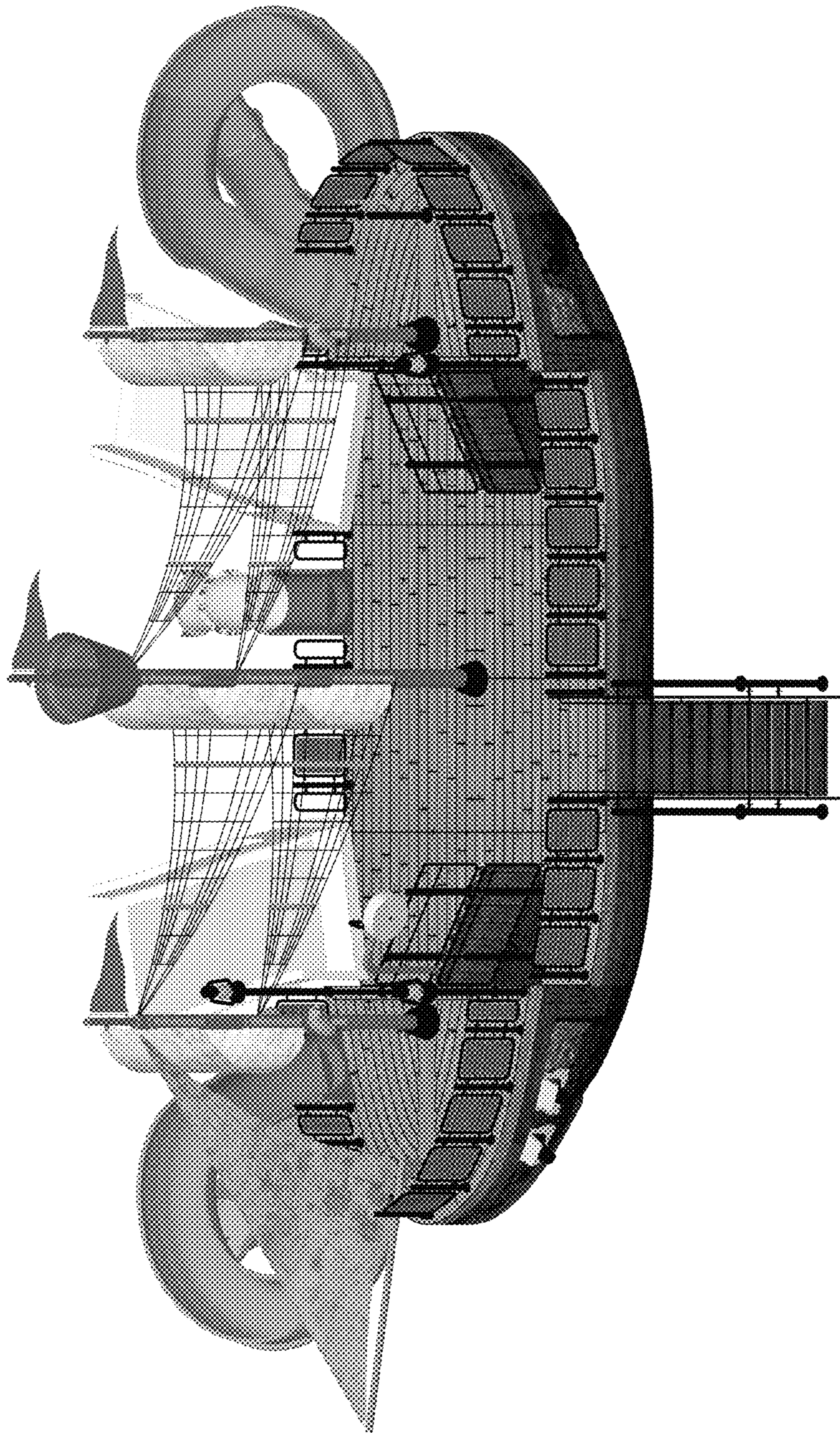


FIG. 9