



US00D869589S

(12) **United States Design Patent**  
**Castro**

(10) **Patent No.:** **US D869,589 S**

(45) **Date of Patent:** **\*\* Dec. 10, 2019**

(54) **FLOATATION APPARATUS**

(71) Applicant: **William S. Castro**, Edison, NJ (US)

(72) Inventor: **William S. Castro**, Edison, NJ (US)

(\*\*) Term: **15 Years**

(21) Appl. No.: **29/666,476**

(22) Filed: **Oct. 12, 2018**

(51) **LOC (12) Cl.** ..... **21-02**

(52) **U.S. Cl.**  
USPC ..... **D21/803**

(58) **Field of Classification Search**  
USPC ..... D21/801, 803, 804, 810  
CPC ..... B63B 35/73; B63B 35/74; B63B 35/76;  
B63B 35/78; B63B 21/008  
See application file for complete search history.

(56) **References Cited**

**U.S. PATENT DOCUMENTS**

4,768,774 A *	9/1988	Beasley	.....	A63B 21/0084
				441/129
D388,491 S *	12/1997	Sikorski	.....	D21/803
D388,492 S *	12/1997	Sikorski	.....	D21/803
7,955,226 B2 *	6/2011	Dauben	.....	A63B 31/00
				441/129
D651,273 S *	12/2011	Graham	.....	D21/803
9,682,265 B2 *	6/2017	Shutts	.....	A63B 23/1218

\* cited by examiner

*Primary Examiner* — Zenia I Bennett

(74) *Attorney, Agent, or Firm* — Walter J. Tencza, Jr.

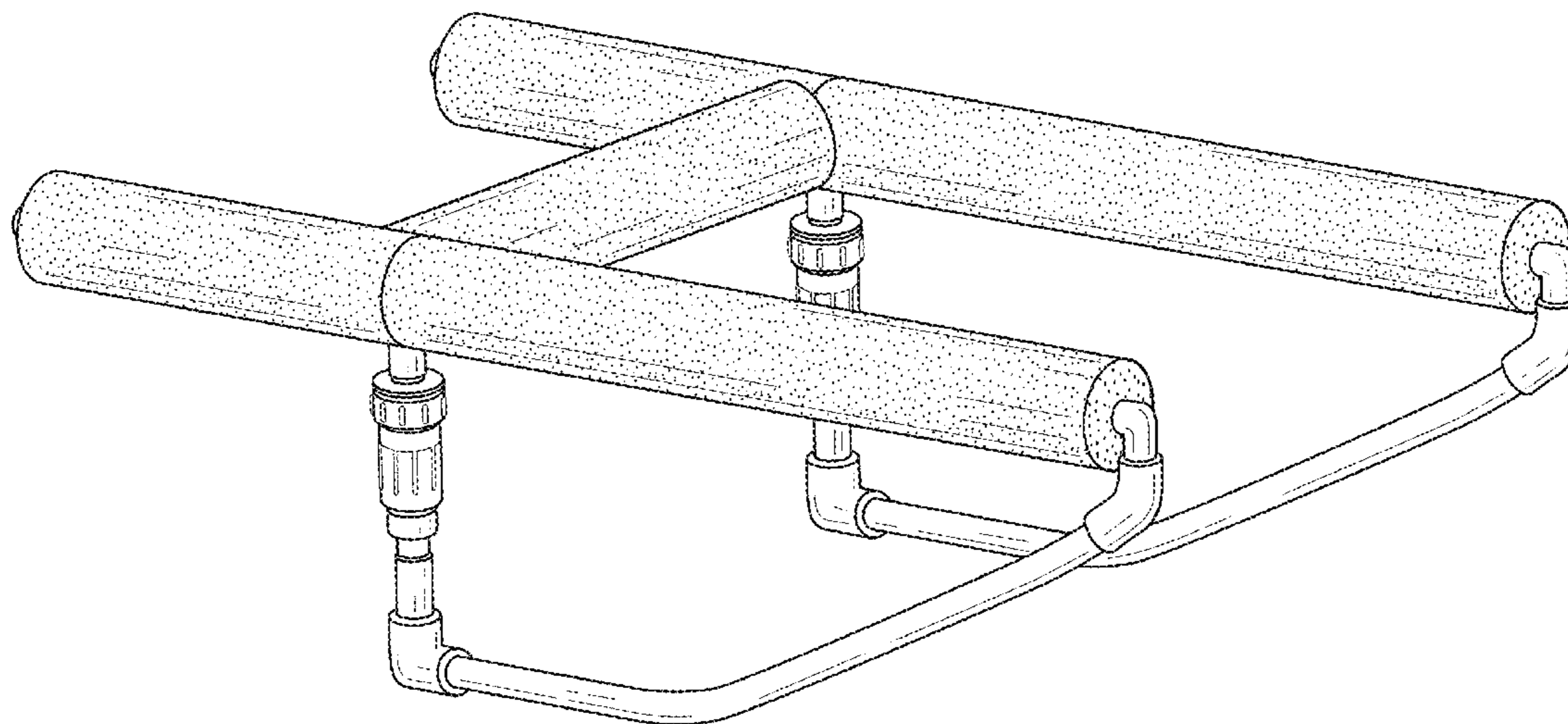
(57) **CLAIM**

I claim the ornamental design for the floatation apparatus, as shown and described.

**DESCRIPTION**

FIG. 1 shows a rear, right, and top perspective view of a floatation apparatus in accordance with the present invention, wherein the floatation apparatus is shown partially immersed in water, and partially floating on the surface of the water, and with a person show holding the floatation apparatus, and standing, partially immersed in the water; FIG. 2 shows a rear, right, and top perspective view of the floatation apparatus of FIG. 1; FIG. 3 shows a front elevational view of the floatation apparatus of FIG. 1; FIG. 4 shows a rear elevational view of the floatation apparatus of FIG. 1; FIG. 5 shows a left side elevational view of the floatation apparatus of FIG. 1; FIG. 6 shows a right side elevational view of the floatation apparatus of FIG. 1; FIG. 7 shows a top plan view of the floatation apparatus of FIG. 1; and, FIG. 8 shows a bottom view of the floatation apparatus of FIG. 1.

**1 Claim, 7 Drawing Sheets**



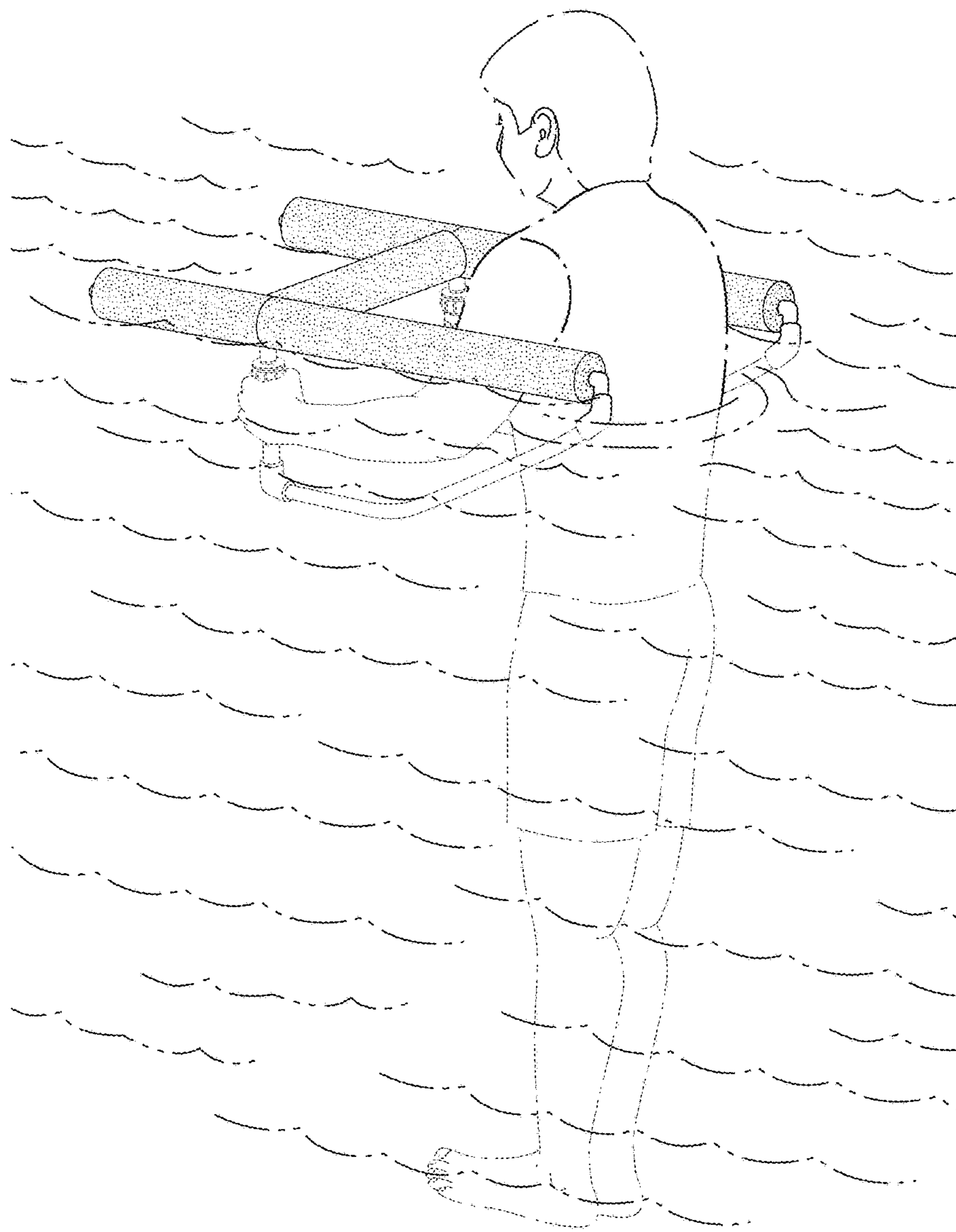


FIG. 1

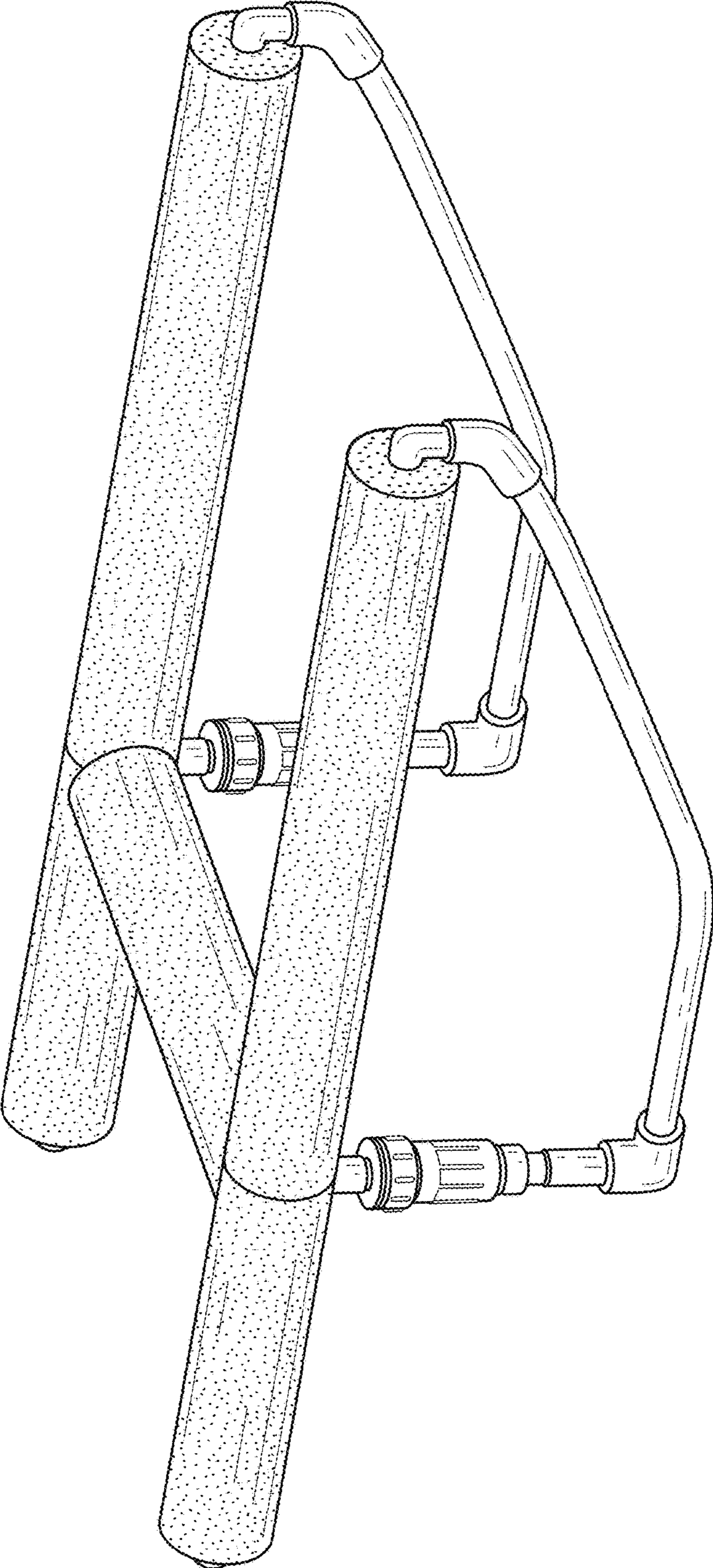


FIG. 2

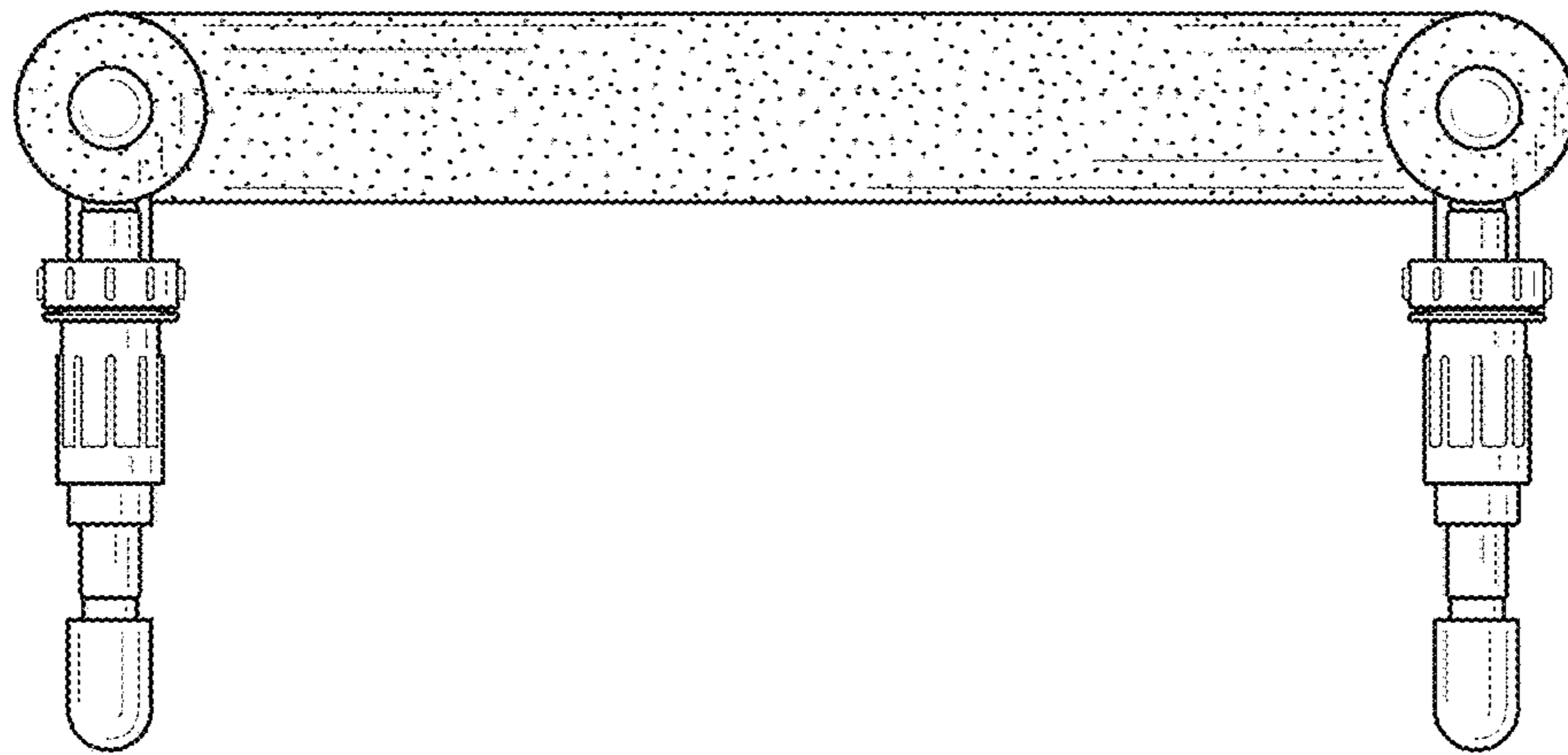


FIG. 3

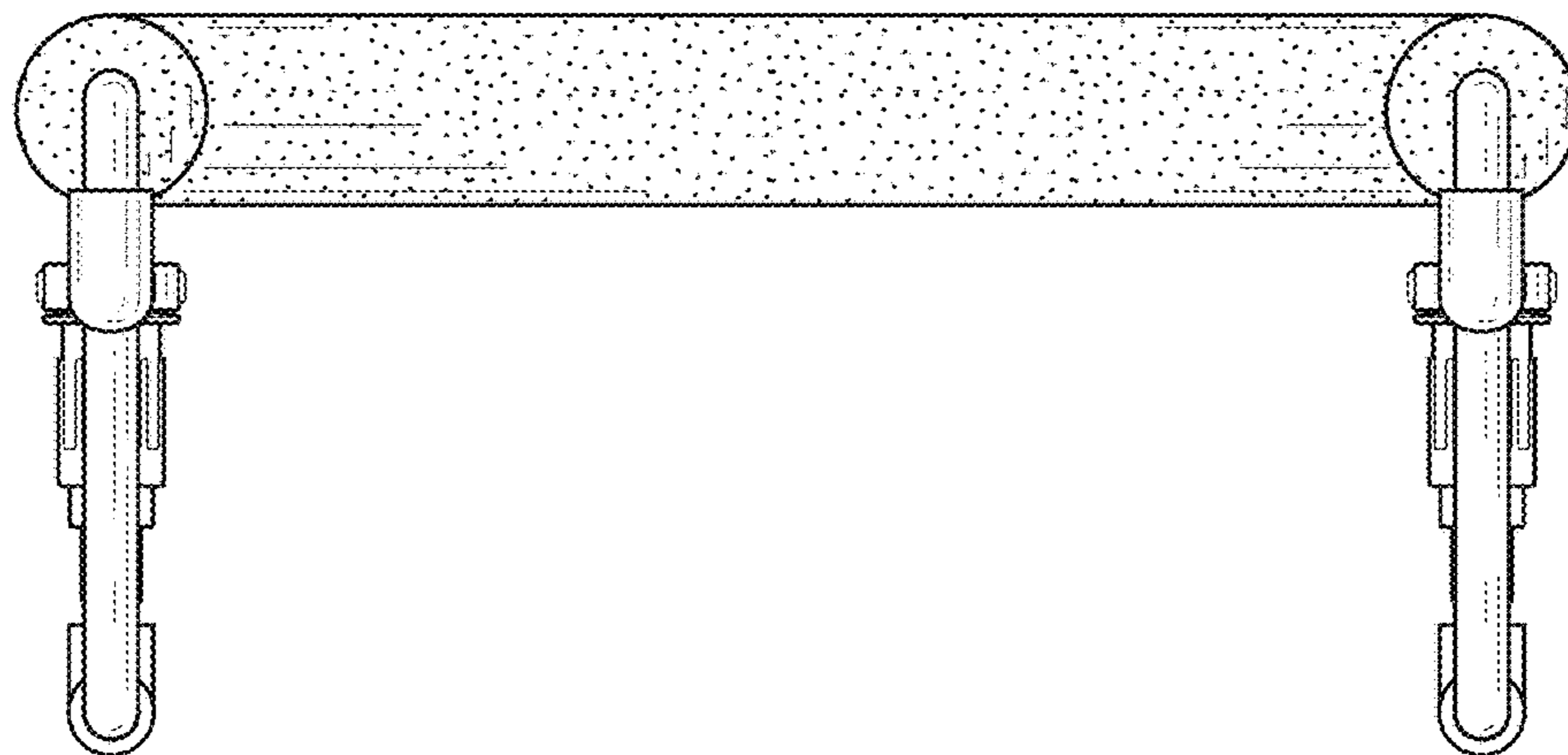


FIG. 4

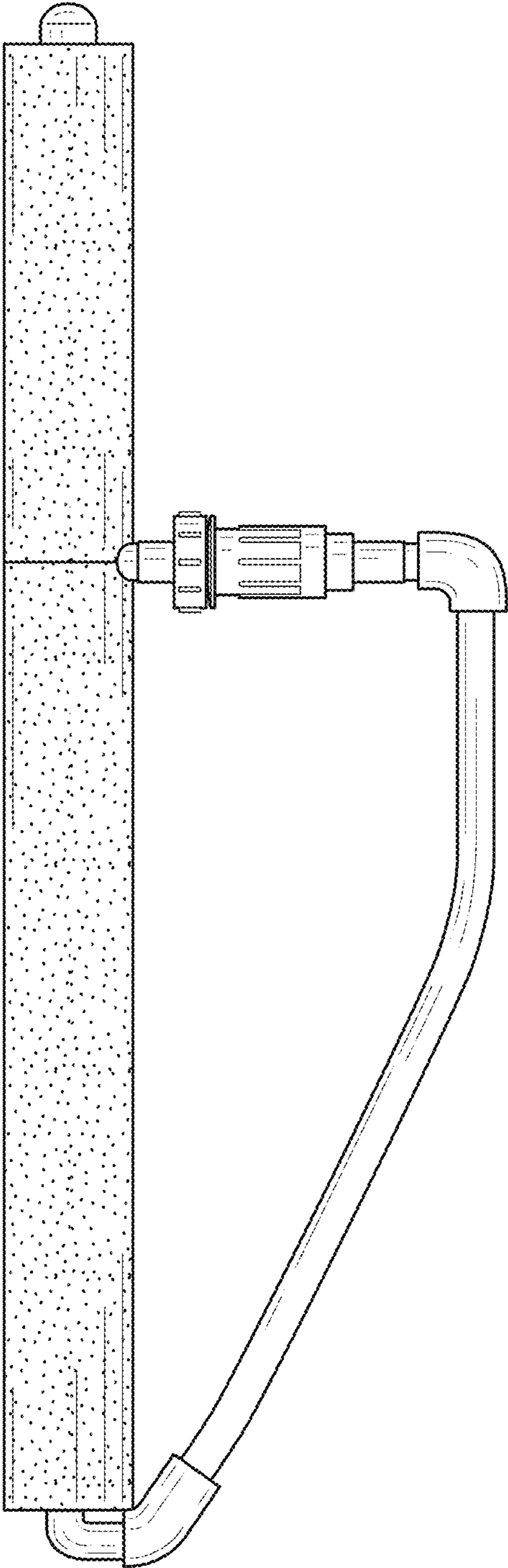


FIG. 5

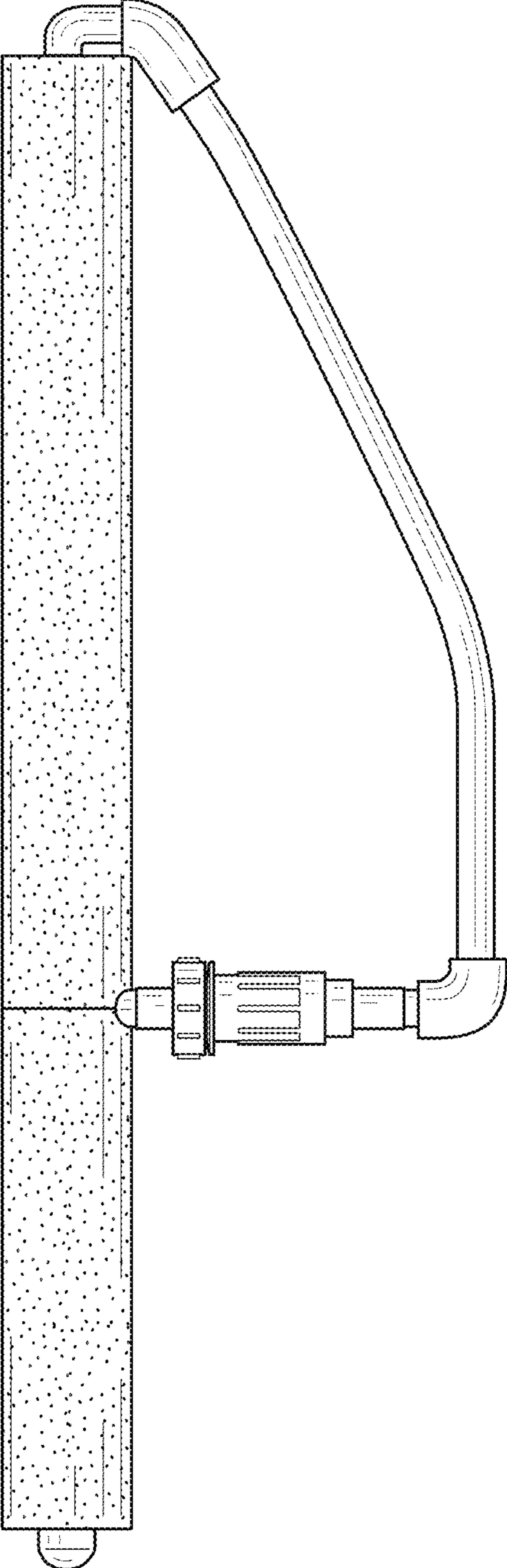


FIG. 6

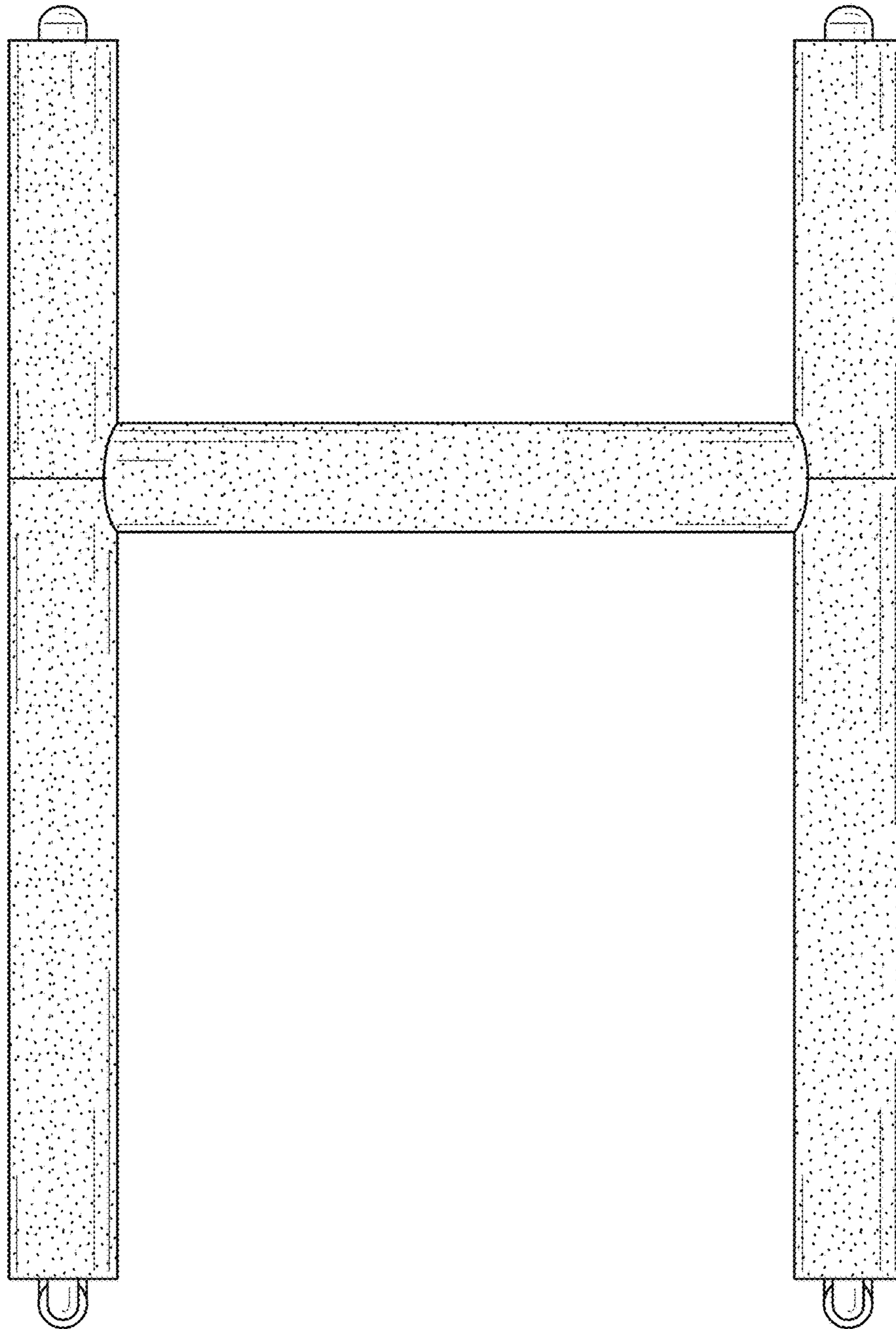


FIG. 7

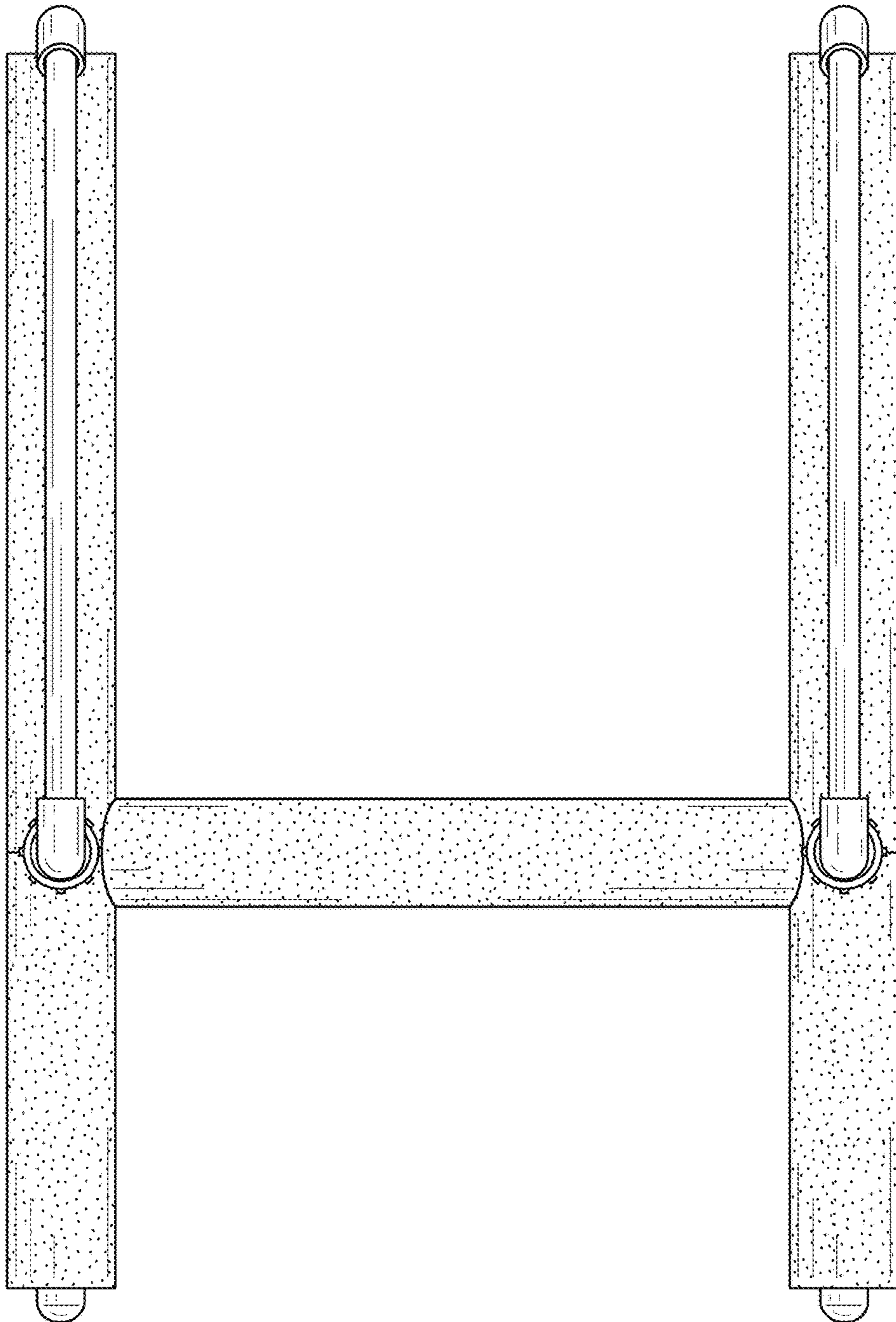


FIG. 8