



US00D869588S

(12) **United States Design Patent** (10) **Patent No.:** **US D869,588 S**
Barrett et al. (45) **Date of Patent:** **** *Dec. 10, 2019**

(54) **INFLATABLE DEVICE**

- (71) Applicant: **FUNBOY, LLC**, Seattle, WA (US)
- (72) Inventors: **Blake Miller Barrett**, Seattle, WA (US); **Maxwell Page Barrett**, Seattle, WA (US)
- (73) Assignee: **FUNBOY, LLC**, Seattle, WA (US)
- (*) Notice: This patent is subject to a terminal disclaimer.
- (**) Term: **15 Years**
- (21) Appl. No.: **29/649,094**
- (22) Filed: **May 25, 2018**

Related U.S. Application Data

- (62) Division of application No. 29/595,756, filed on Mar. 1, 2017, now Pat. No. Des. 821,524.
- (51) **LOC (12) Cl.** **21-02**
- (52) **U.S. Cl.**
USPC **D21/803**; D21/809
- (58) **Field of Classification Search**
USPC D21/769, 770, 801, 803, 804, 805, 806, D21/807, 808, 809; D12/5, 6, 316; D6/392, 395, 596, 601, 604, 605
(Continued)

(56) **References Cited**

U.S. PATENT DOCUMENTS

- 2,480,902 A * 9/1949 Boyer A63F 9/12 273/157 R
- 3,054,124 A 9/1962 Silvertone
(Continued)

FOREIGN PATENT DOCUMENTS

- CA 172881 9/2017
- CN 3459231 7/2005
(Continued)

OTHER PUBLICATIONS

“Inflatable-Rainbow” [online]. tentswithgraphics. [Published on Jun. 6, 2012]. Retrieved from the Internet: <https://www.youtube.com/watch?v=Klef4S5XHTc>.*

(Continued)

Primary Examiner — Khawaja Anwar

Assistant Examiner — Mojtaba Tehrani

(74) *Attorney, Agent, or Firm* — Lee & Hayes, P.C.

(57) **CLAIM**

The ornamental design for an inflatable device, as shown and described.

DESCRIPTION

The file of this patent contains at least one drawing/photograph executed in color. Copies of this patent with color drawing(s)/photograph(s) will be provided by the Office upon request and payment of the necessary fee.

FIG. 1 is a top perspective view of the first embodiment of an inflatable device, showing our new design. The greyscale shading shown in the first embodiment represents color contrast;

FIG. 2 is a front view thereof;

FIG. 3 is a back view thereof;

FIG. 4 is a right-side view thereof;

FIG. 5 is a left-side view thereof;

FIG. 6 is a top view thereof;

FIG. 7 is a bottom view thereof;

FIG. 8 is a top perspective view of the second embodiment of an inflatable device;

FIG. 9 is a front view thereof;

FIG. 10 is a back view thereof;

FIG. 11 is a right-side view thereof;

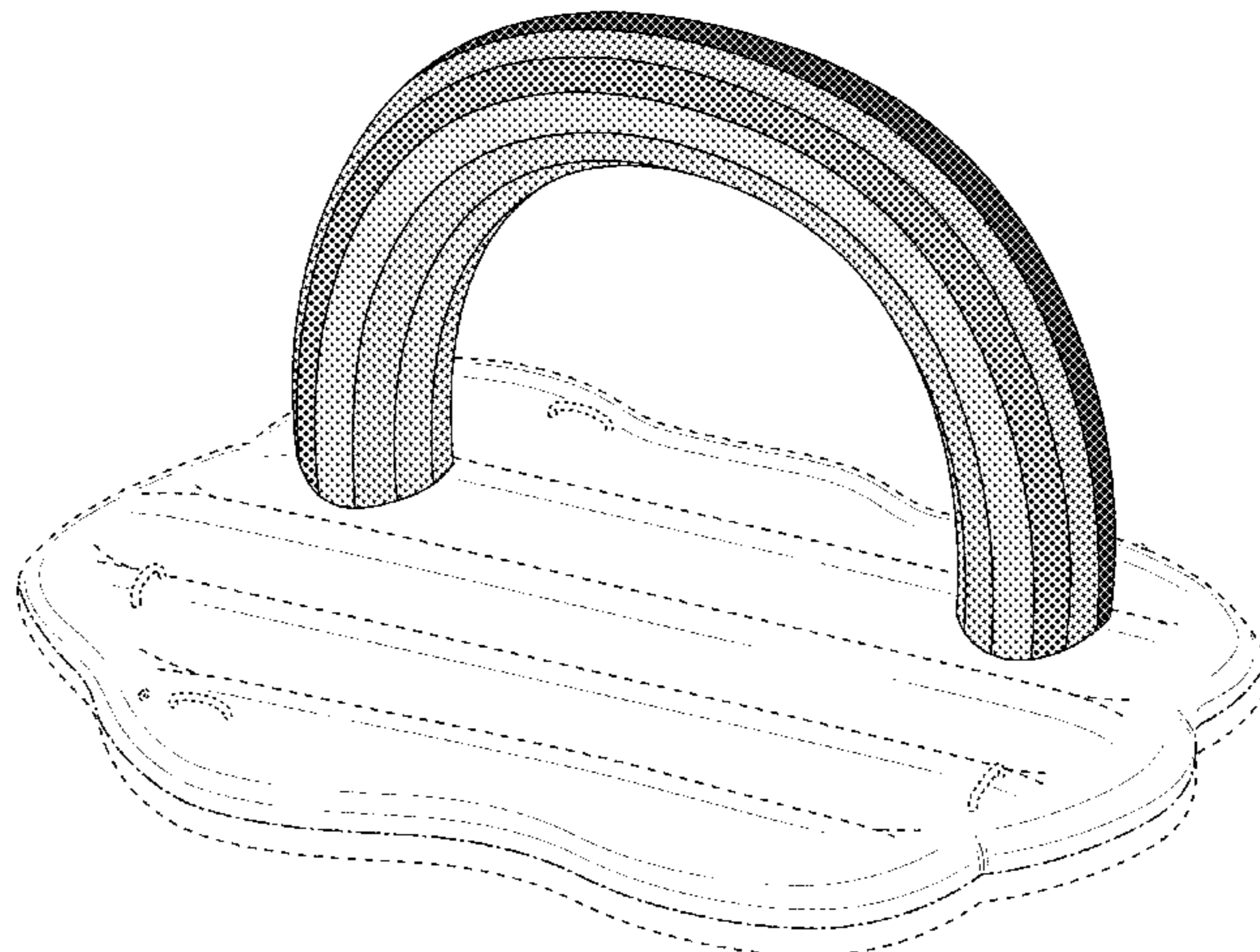
FIG. 12 is a left-side view thereof;

FIG. 13 is a top view thereof; and,

FIG. 14 is a bottom view thereof.

The broken lines depict portions of the inflatable device which that form no part of the claimed design.

1 Claim, 14 Drawing Sheets
(6 of 14 Drawing Sheet(s) Filed in Color)



- (58) **Field of Classification Search**
 CPC B63B 35/79; B63B 35/73; B63B 1/00;
 B63B 35/76
 See application file for complete search history.

(56) **References Cited**

U.S. PATENT DOCUMENTS

D260,752	S	*	9/1981	Huntsman	D11/157
D260,865	S		9/1981	Smith		
D261,336	S	*	10/1981	Thorpe	D6/394
D271,068	S	*	10/1983	Williams	D11/133
D278,532	S	*	4/1985	Rivette	D14/143
D310,129	S	*	8/1990	Archambault	D11/133
D314,034	S		1/1991	Young		
D330,242	S		10/1992	Allbee et al.		
D331,841	S	*	12/1992	Pitner	D6/384
D362,363	S	*	9/1995	Friedman	5/414
D483,088	S		12/2003	Zheng		
6,685,520	B1		2/2004	Wiggins		
6,749,474	B2		6/2004	Hsu et al.		
D513,915	S		1/2006	Jacklin		
D526,689	S		8/2006	Marshall et al.		
D529,979	S		10/2006	Peterson		
D530,771	S		10/2006	Peterson		
D530,772	S		10/2006	Peterson		
D580,004	S		11/2008	Peterson		
D586,871	S		2/2009	Vessey		
D609,301	S		2/2010	Cirjak et al.		
D708,689	S		7/2014	Cheung		
D721,778	S		1/2015	Rademacher et al.		
D743,496	S		11/2015	Koehler		
D799,150	S	*	10/2017	Vielot	D1/106
D810,221	S		2/2018	Hsu et al.		
D821,524	S	*	6/2018	Barrett	D21/803

FOREIGN PATENT DOCUMENTS

CN	302396241	4/2013
CN	304222671	7/2017
CN	304375903	11/2017
KR	300548144.0000	9/2009

OTHER PUBLICATIONS

- “E9-007 Inflatable Rainbow Arch” [online]. eastinflatables. [Published on Jun. 29, 2015]. Retrieved from the Internet: <<https://www.youtube.com/watch?v=c9biXoxrUcc>>.*
- “Big Kid Inflatable Water Slide”, Available on the Way Back Machine as of Oct. 17, 2016, <<https://web.archive.org/web/20160422131435/http://bestoninflatablebounce.com/kids-inflatable-water-slides-for-sale/>>, 1 page.
- “Cloud & Rainbow Bookshelf”, Available on the Way Back Machine as of Aug. 5, 2016, <<https://web.archive.org/web/20160805081714/https://www.Jittlethings.com/diy-rainbow-book-shelf/>>, 1 page.
- “Inflatable Cloud”, Available as early as Jan. 21, 2012, <<http://www.formakers.eu/project-45-colunbia-university-bobinflatable-cloud>>, 1 page.
- “Inflatable Rainbow Arch #1”, Available on the Way Back Machine as of Jan. 10, 2016, <<https://web.archive.org/web/20160110125746/http://www.chinainflatable-toys.com:80/sale-7529019-commerical-colourfulinflatable-arch-customized-inflatable-rainbow-arch.html>>, 1 page.
- “Inflatable Rainbow Arch #2”, Available on the Way Back Machine as of Jun. 24, 2016, <https://web.archive.org/web/20160624040911/http://www.pangoinflatable.com/inflatableproduct-1756-Rainbow_Advertising_Arch.htm>, 1 page.
- “Rainbow Magic Play Gym”, Available on the Way Back Machine as of Jan. 5, 2017, <<https://web.archive.org/web/20170105124903/http://givewink.com/collections/toys/products/rainbow-magic-play-gym>>, 1 page.
- “Rainbow Ring Inflatable Play Center”, Listed Release Date of Jan. 1, 2007, https://www.smokehomegarden.com/store/5a-3238155011-BOOKil11YIntex_Rainbow_Ring_Inflatable_Play_Center_I17X_76_X_53_for_Ages_2.html?msclkid=b2fd228e7aee11d621c0798620a5c48d, 1 page.
- “Rainbow Slip & Slide”, Available on the Way Back Machine as of Oct. 27, 2016, <https://web.archive.org/web/20161027095819/http://countzclubgames.com/back_yard_rental.htm>, 1 page.

* cited by examiner

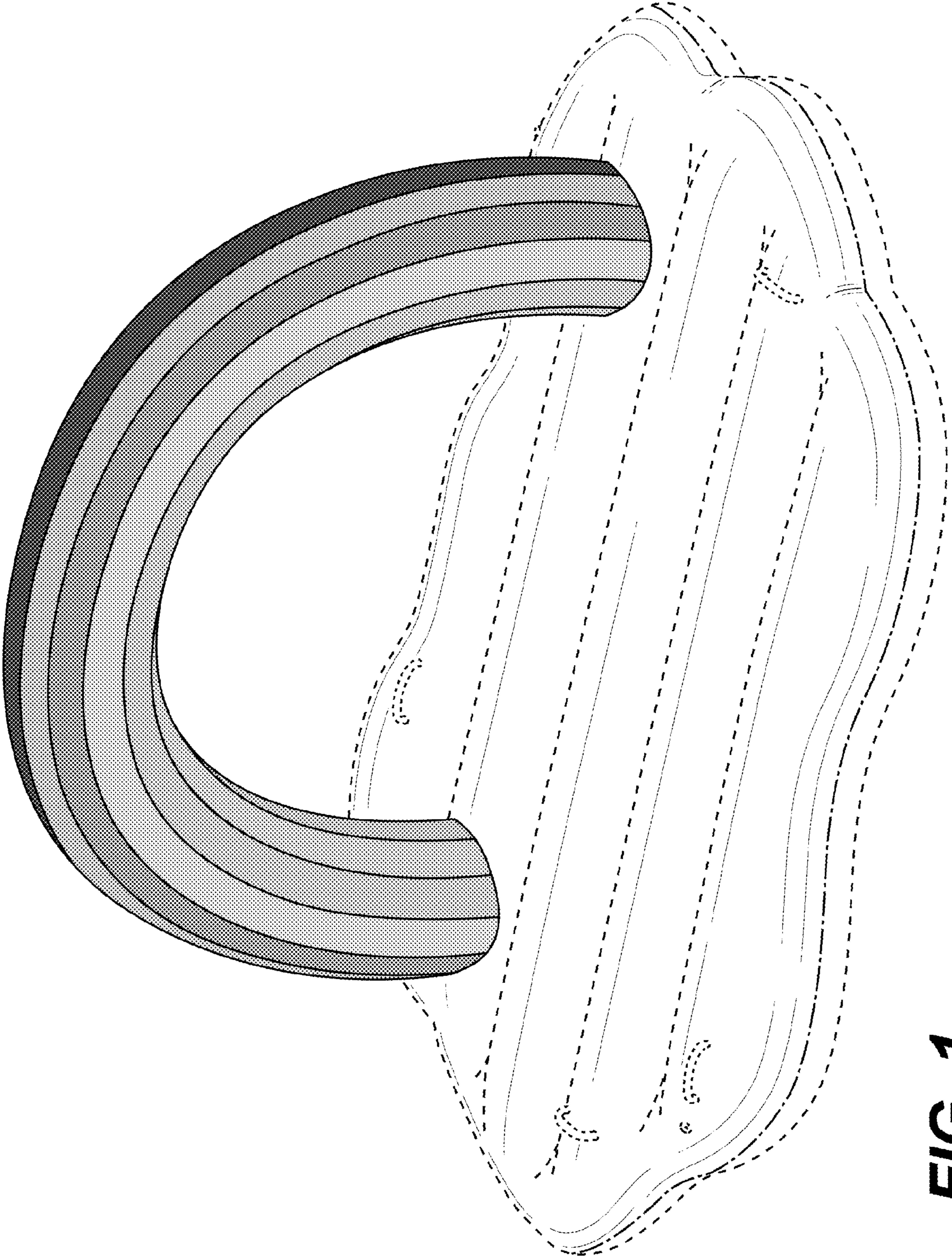


FIG. 1

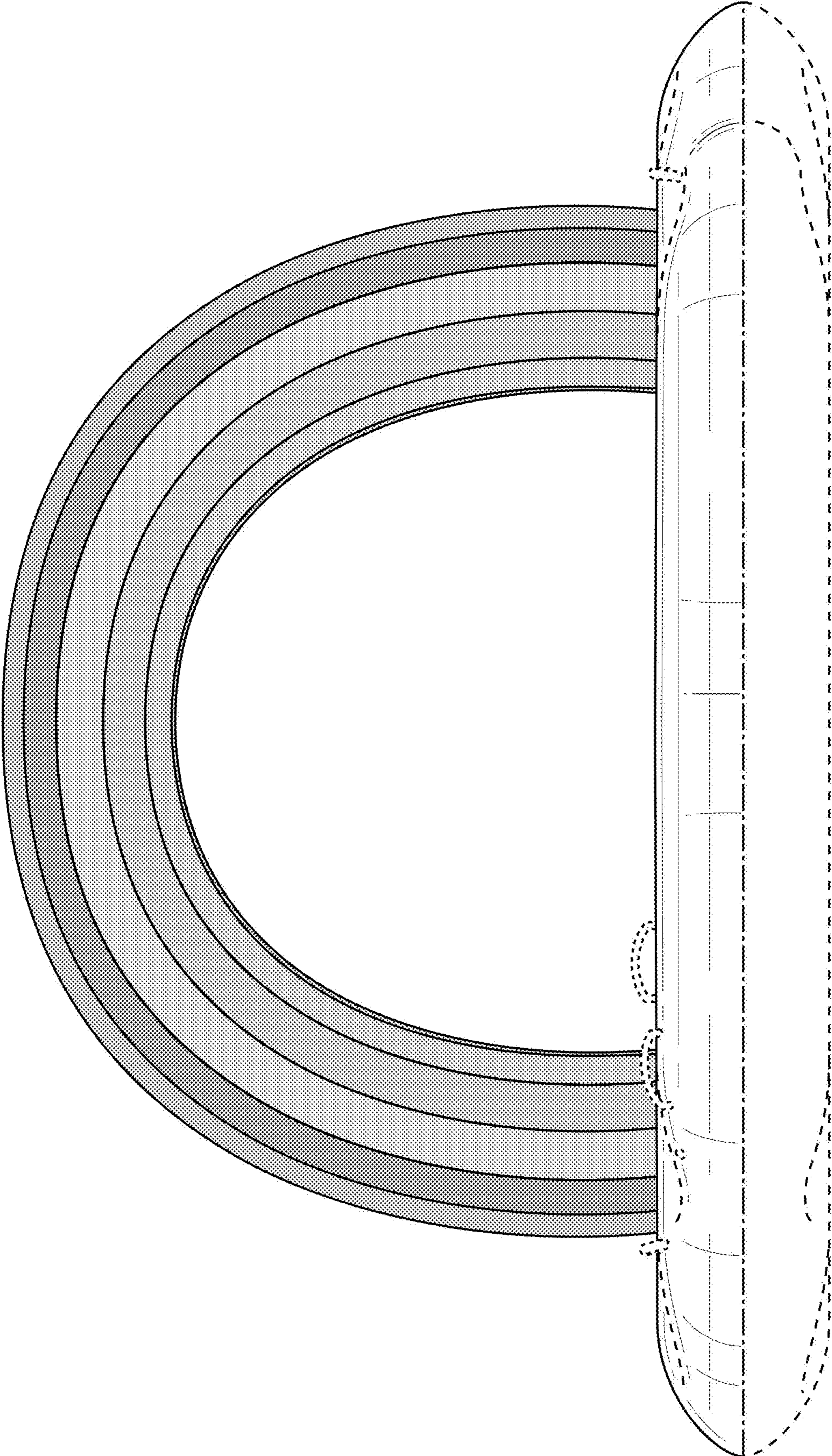


FIG. 2

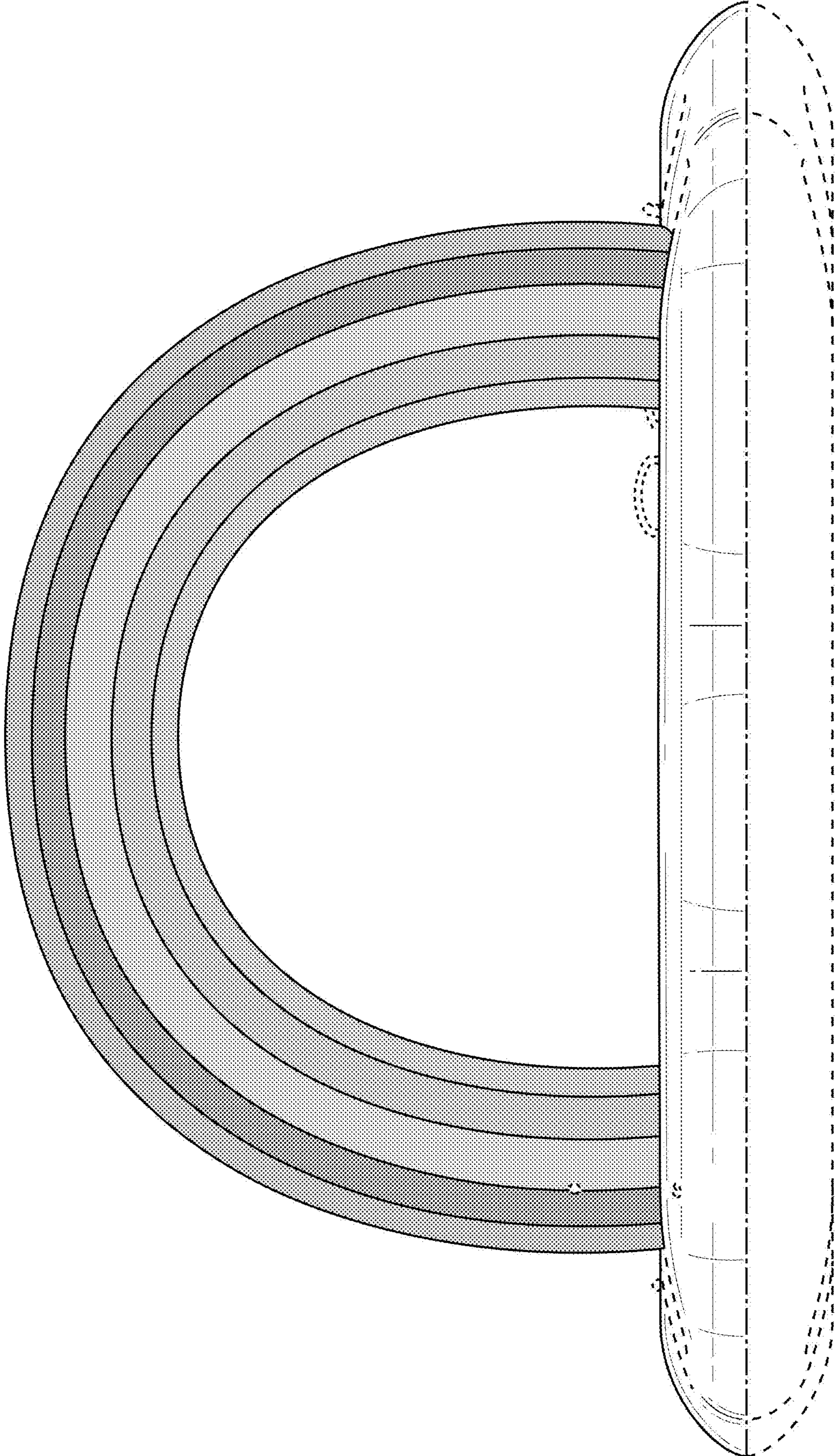


FIG. 3

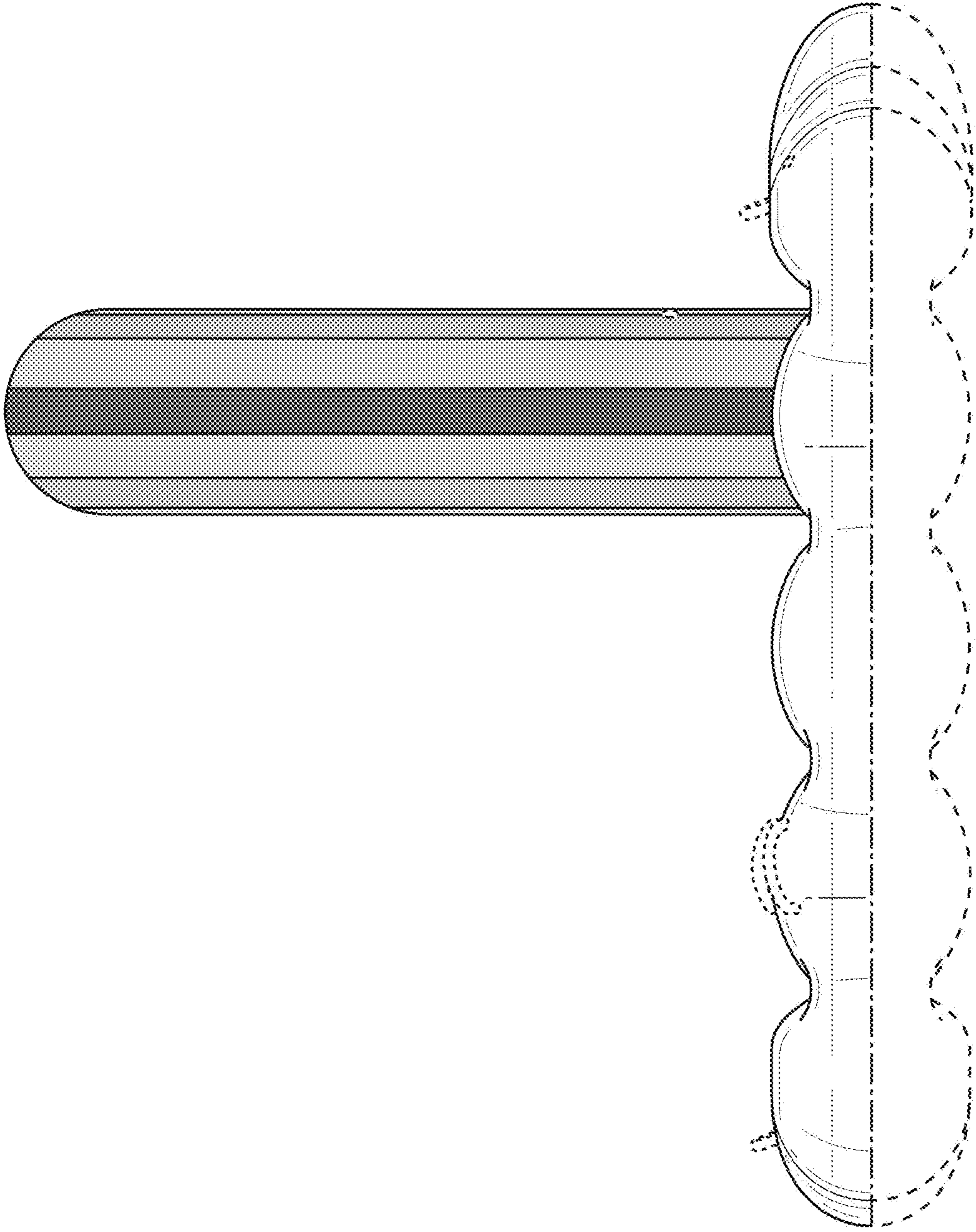


FIG. 4

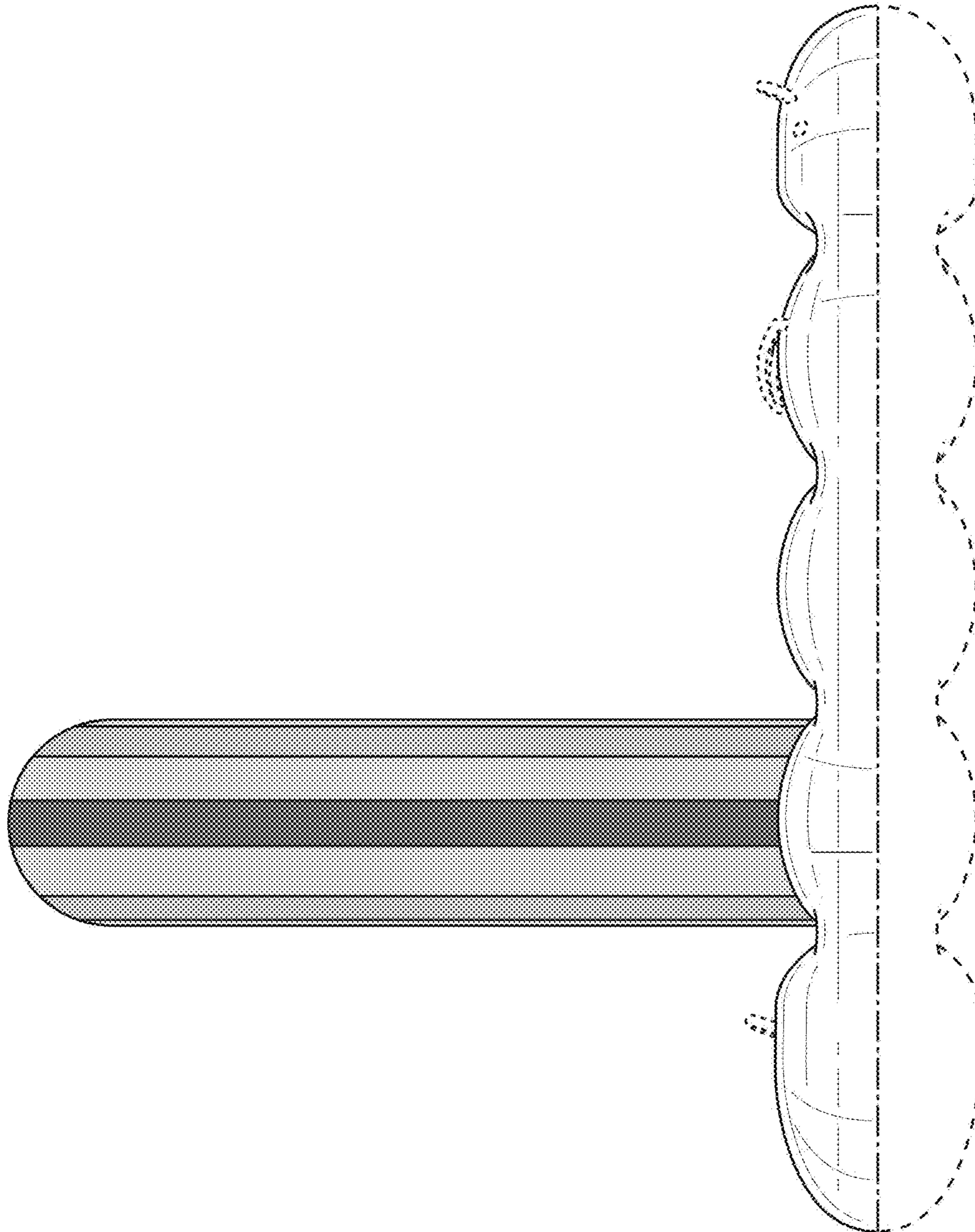


FIG. 5

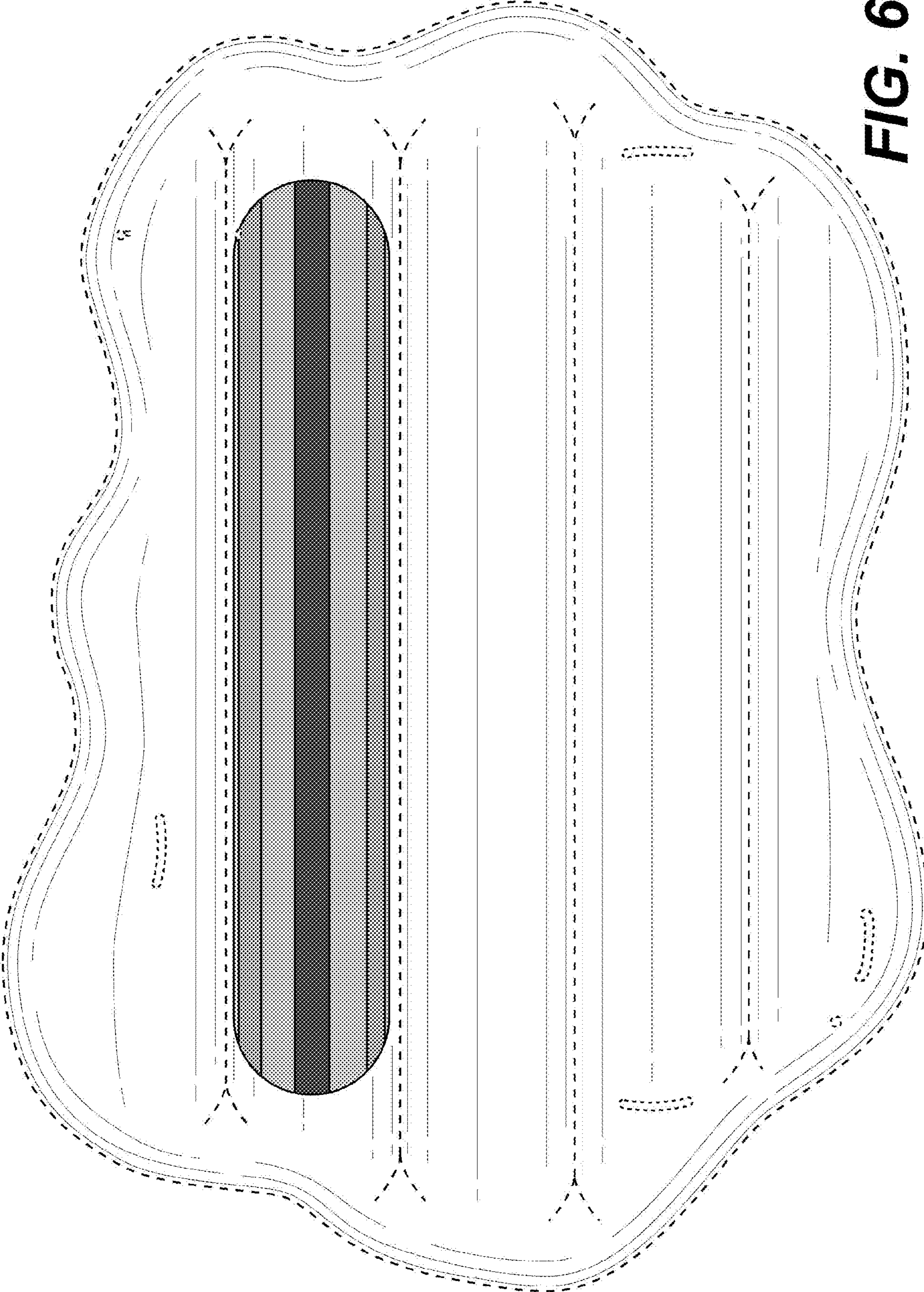


FIG. 6

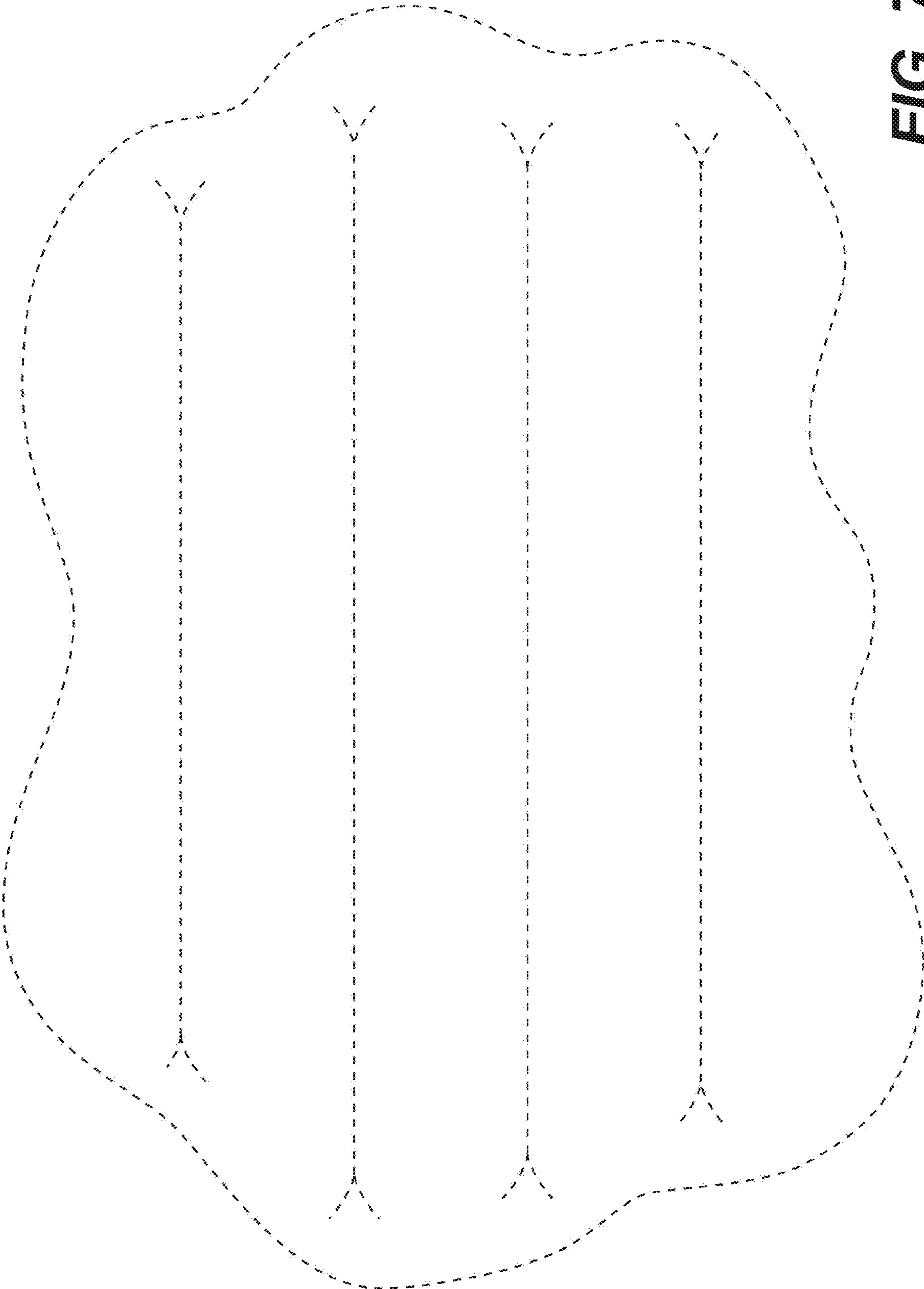


FIG. 7

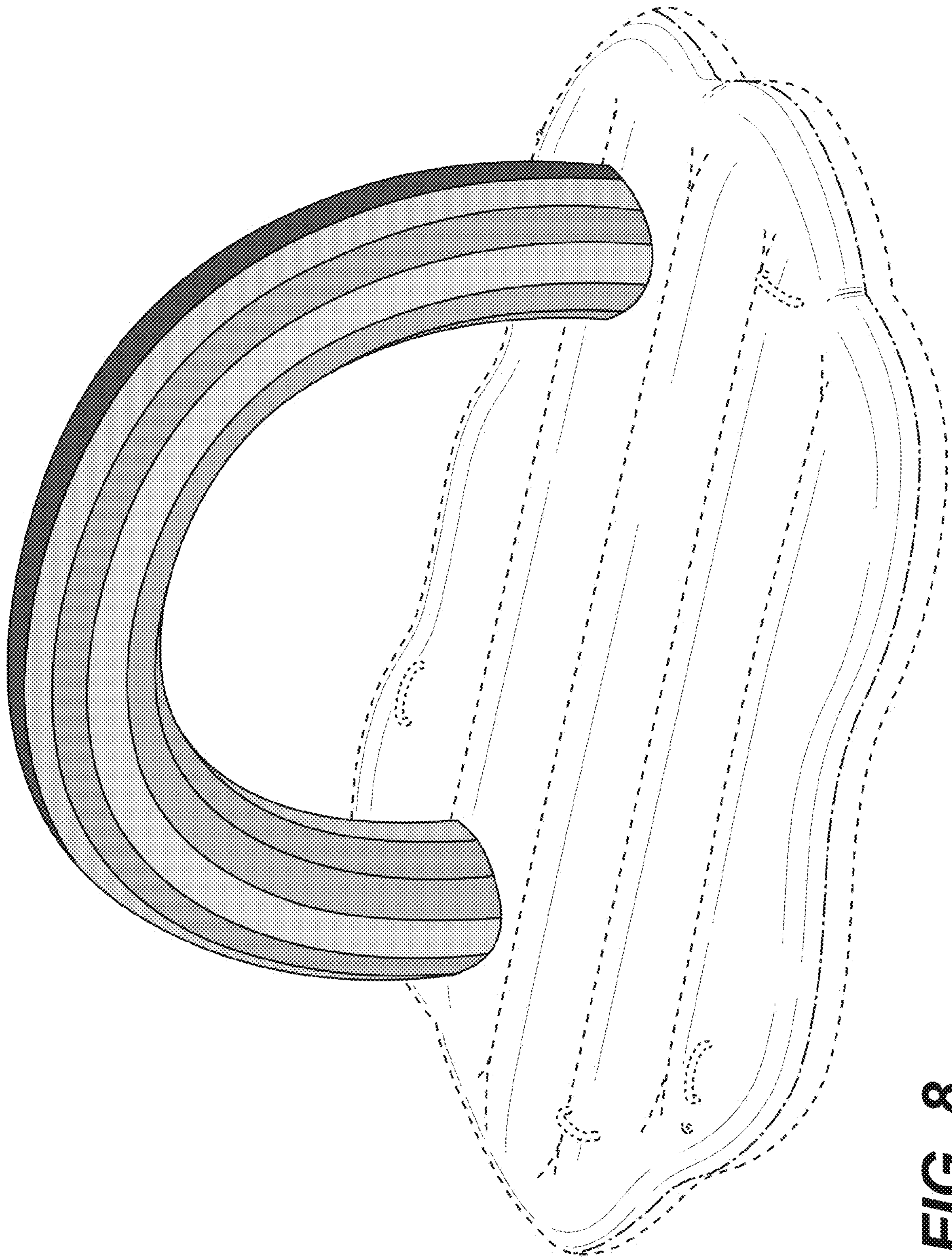


FIG. 8

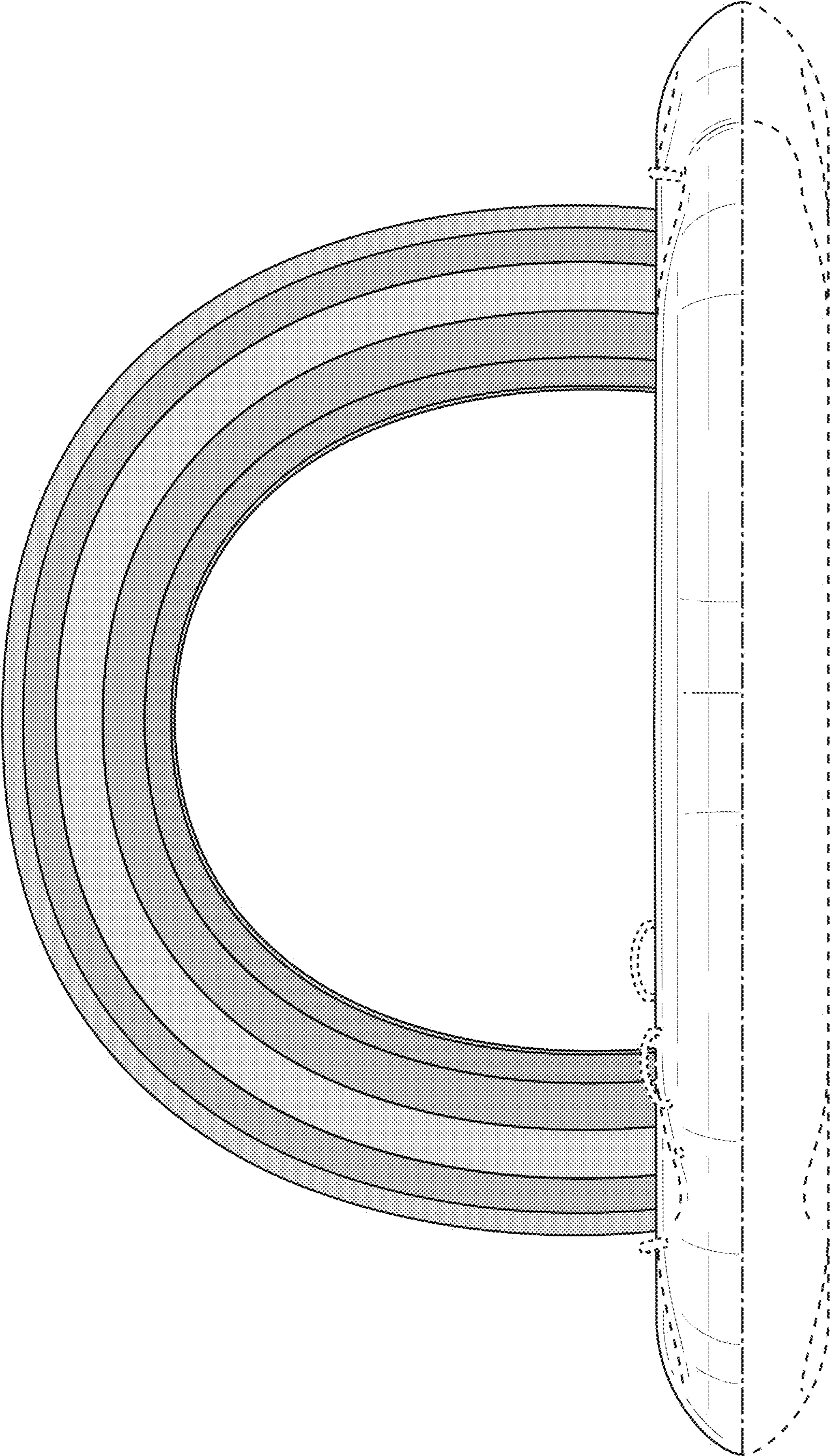


FIG. 9

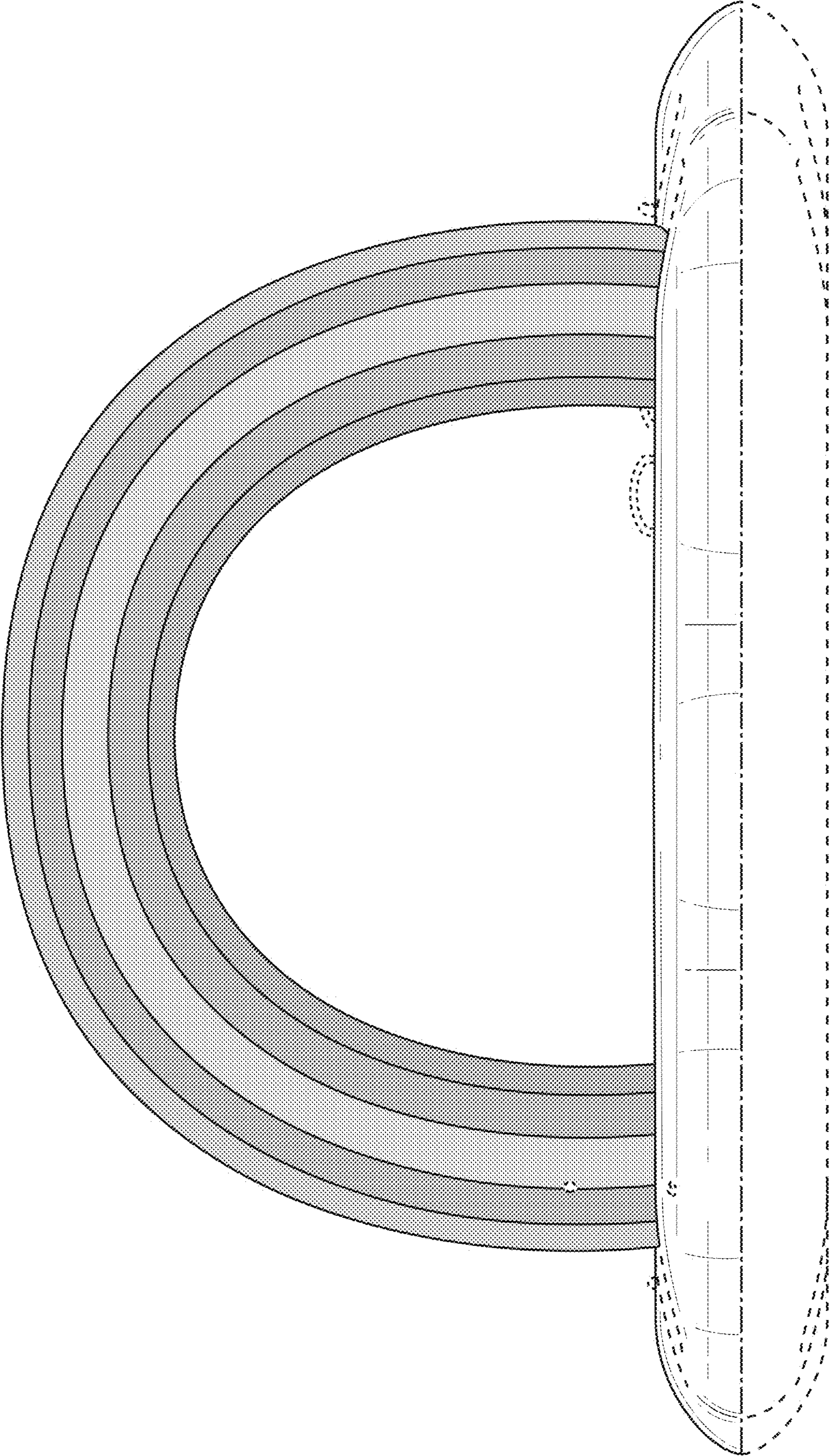


FIG. 10

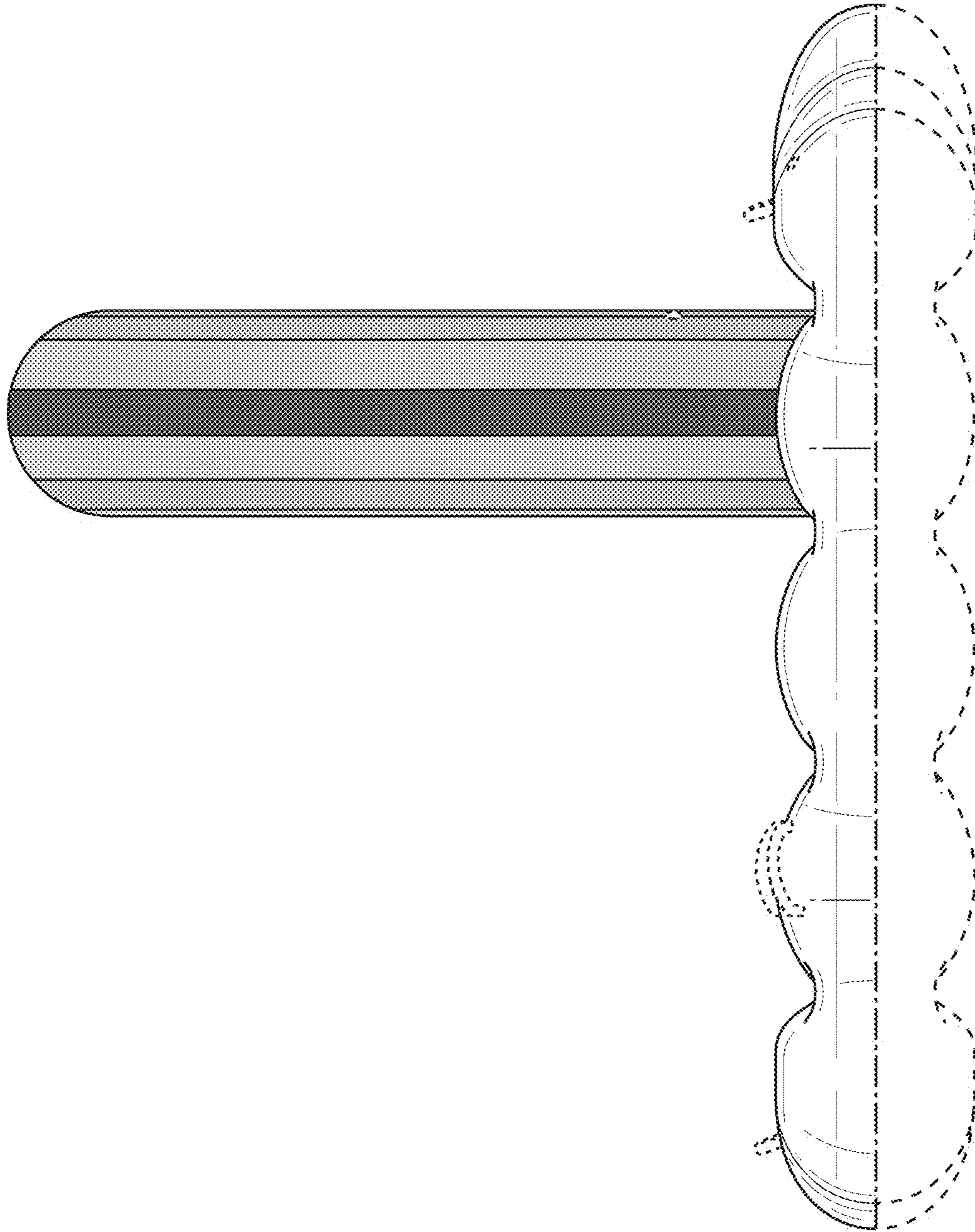


FIG. 11

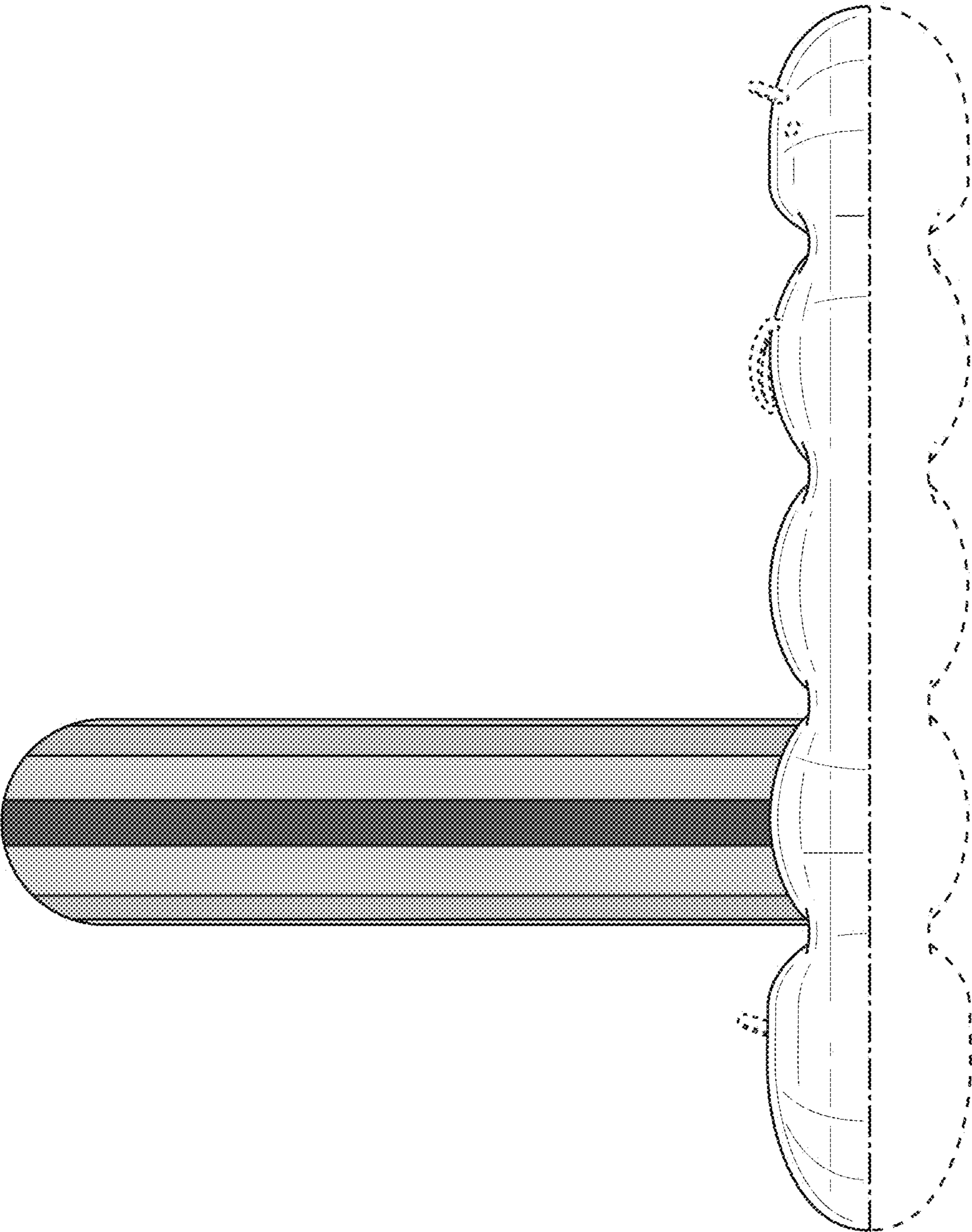


FIG. 12

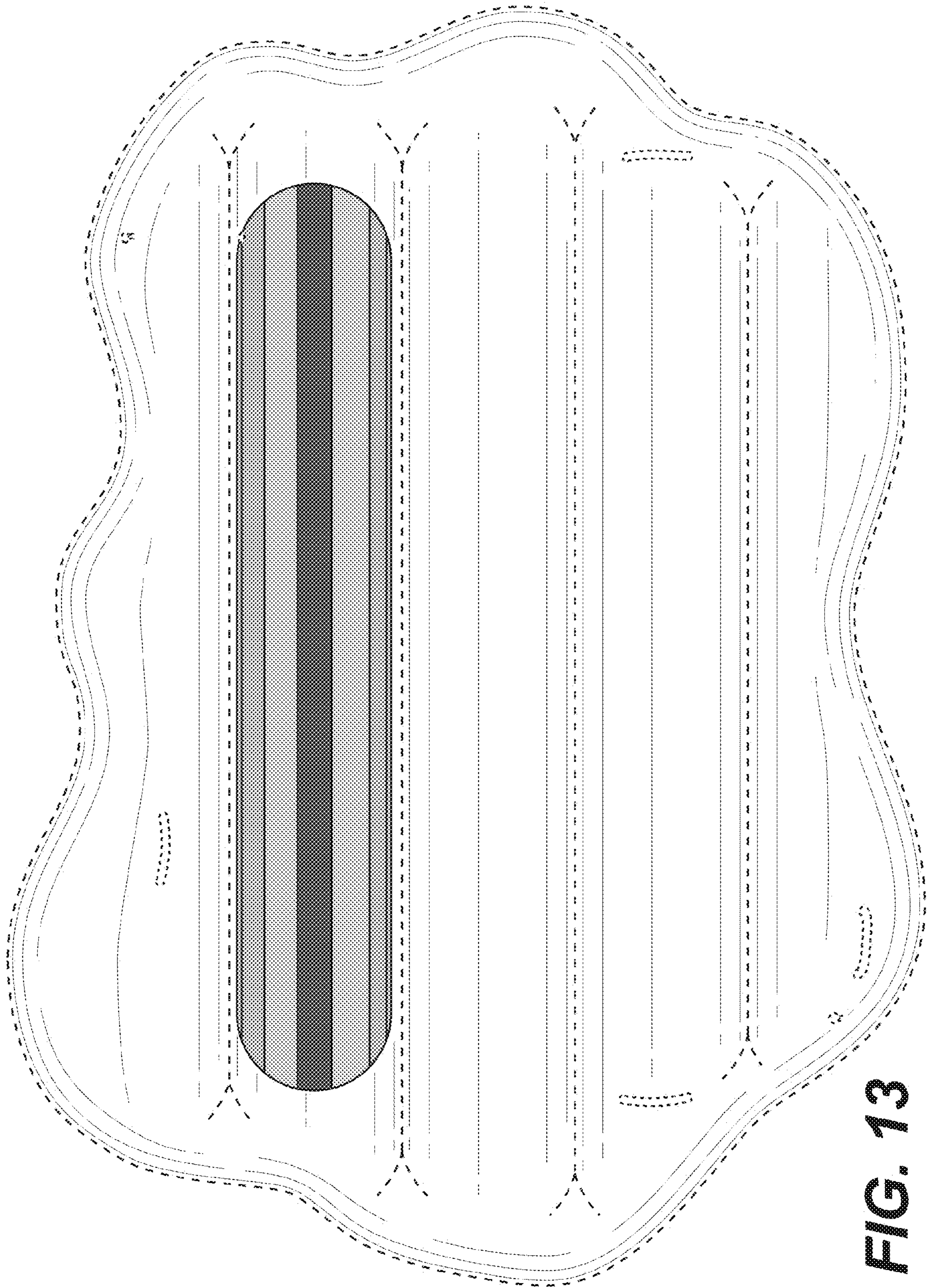


FIG. 13

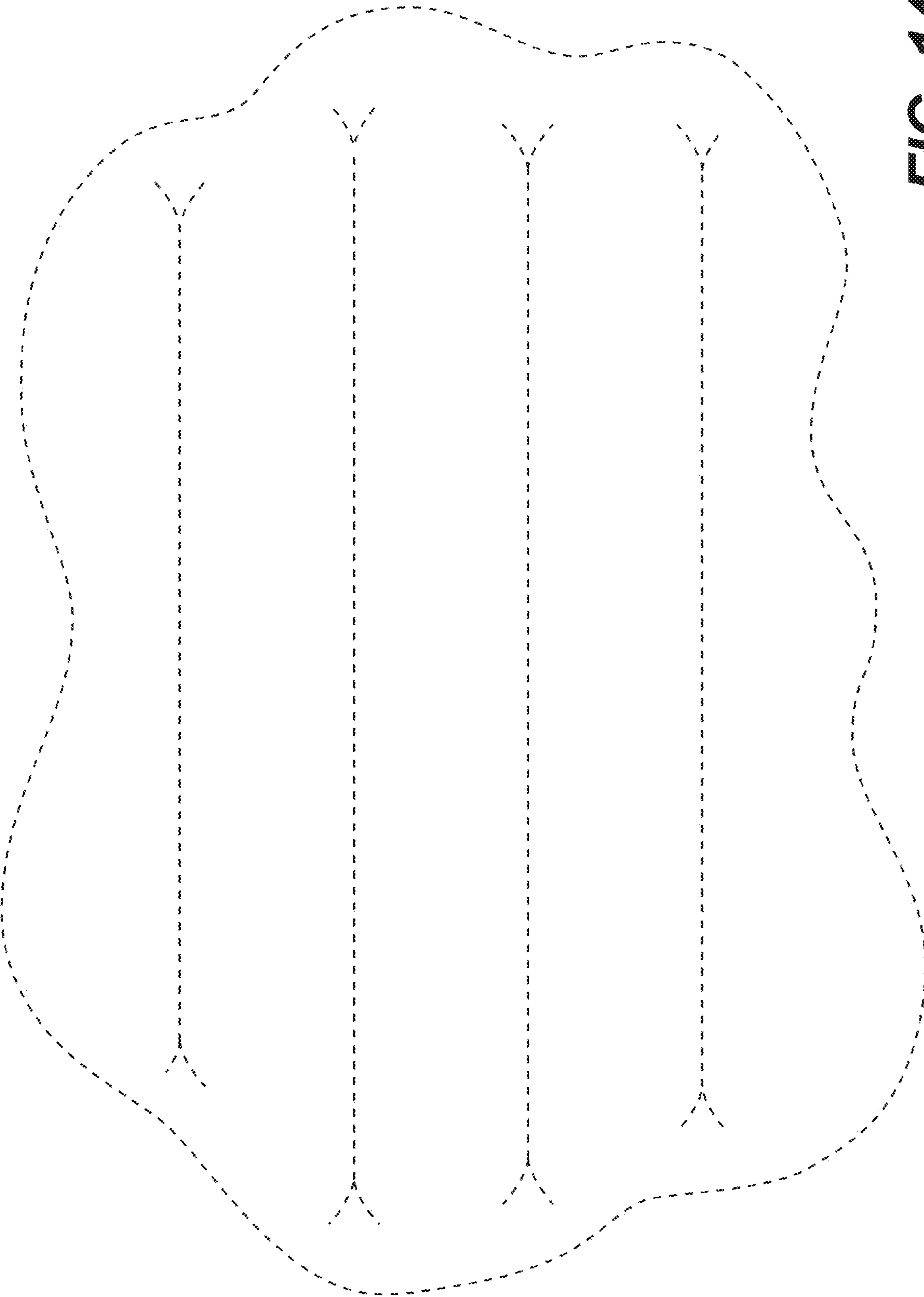


FIG. 14