



US00D869587S

(12) **United States Design Patent** (10) **Patent No.:** **US D869,587 S**  
**Bell** (45) **Date of Patent:** **\*\* Dec. 10, 2019**

(54) **FIN FOR A WATER SPORT DEVICE**

(71) Applicant: **R. Brandon Bell**, West Palm Beach, FL (US)

(72) Inventor: **R. Brandon Bell**, West Palm Beach, FL (US)

(\*\*) Term: **15 Years**

(21) Appl. No.: **29/591,803**

(22) Filed: **Jan. 24, 2017**

(51) **LOC (12) Cl.** ..... **21-02**

(52) **U.S. Cl.**  
USPC ..... **D21/778**; D12/317

(58) **Field of Classification Search**  
USPC ..... D21/770, 778, 803; D11/81, 99;  
D12/317

See application file for complete search history.

(56) **References Cited**

U.S. PATENT DOCUMENTS

3,965,514	A *	6/1976	Shafer	.....	B63B 35/793	441/79
D244,958	S *	7/1977	Bleser	.....	D21/808	
D261,448	S *	10/1981	Liebscher	.....	D11/81	
D323,691	S *	2/1992	Olson	.....	D21/770	
5,464,359	A	11/1995	Whitty			
6,139,383	A *	10/2000	Jolly	.....	B63B 35/793	114/39.15
D515,684	S *	2/2006	Latone	.....	D23/366	
7,121,911	B1 *	10/2006	Hickman	.....	B63B 35/793	441/79
7,238,075	B2	7/2007	Brodsky			
D576,243	S *	9/2008	Moseley	.....	D21/803	
D633,972	S *	3/2011	Etersque	.....	D21/778	
D709,250	S *	7/2014	Walker	.....	D30/158	

D847,928	S *	5/2019	Lee	.....	D21/778	
10,279,874	B1 *	5/2019	Field	.....	B63B 35/793	
2011/0028058	A1 *	2/2011	Kumano	.....	B63B 35/793	441/79

OTHER PUBLICATIONS

1 Set Surfboard Fins for FCS G5 Fiberglass Honey Comb: Published Jul. 13, 2018 [online], site visited Aug. 7, 2019. Available from Internet URL: [https://www.amazon.co.uk/dp/B07FKH4TPX/ref=cm\\_sw\\_r\\_tw\\_dp\\_U\\_x\\_i1ZsDbA7PWGR2](https://www.amazon.co.uk/dp/B07FKH4TPX/ref=cm_sw_r_tw_dp_U_x_i1ZsDbA7PWGR2) (Year: 2018).\*

(Continued)

*Primary Examiner* — Jack Reickel

*Assistant Examiner* — Melvin L Davis

(74) *Attorney, Agent, or Firm* — Lambert Shortell & Connaughton; Gary E. Lambert; David J. Connaughton, Jr.

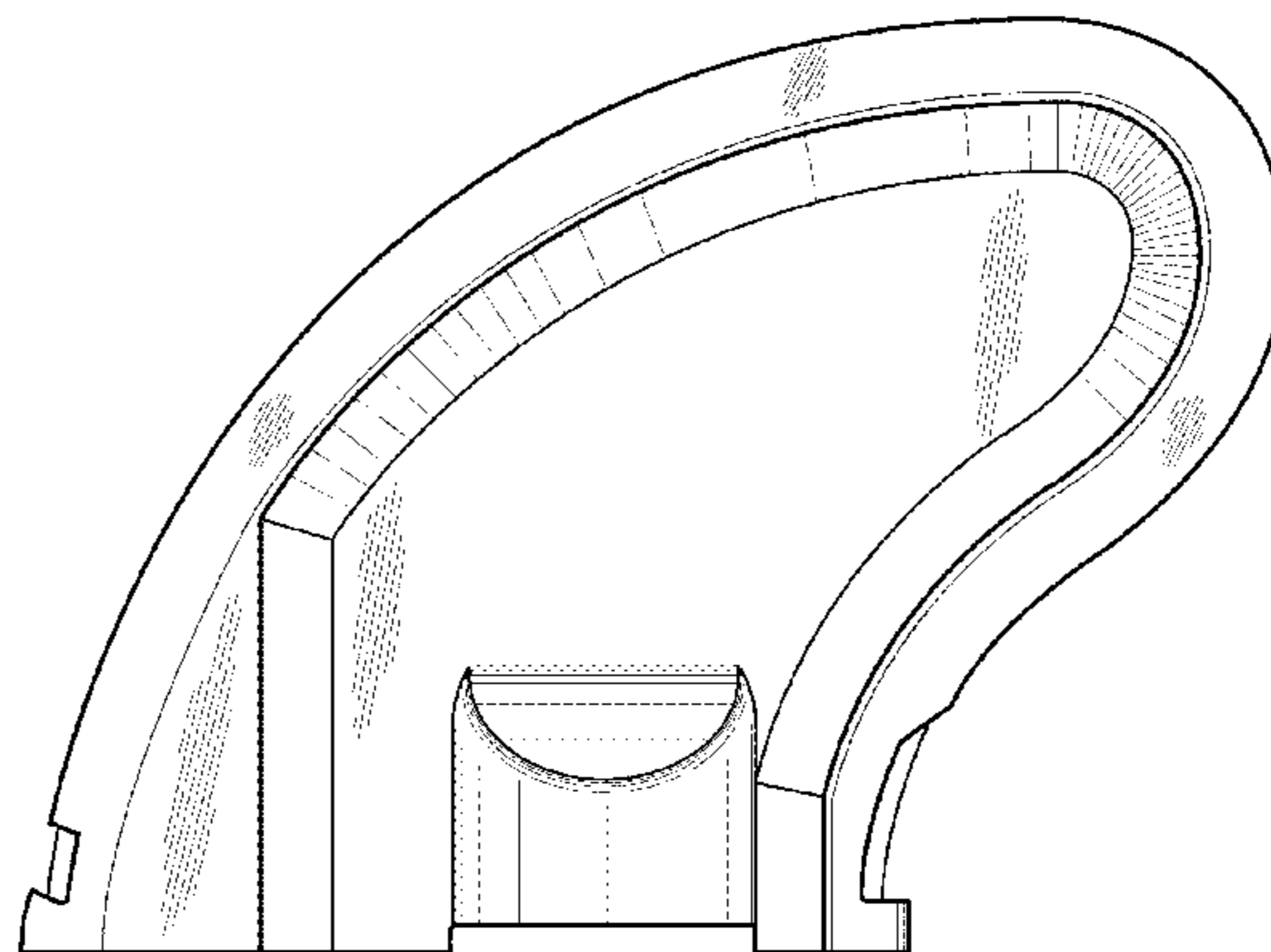
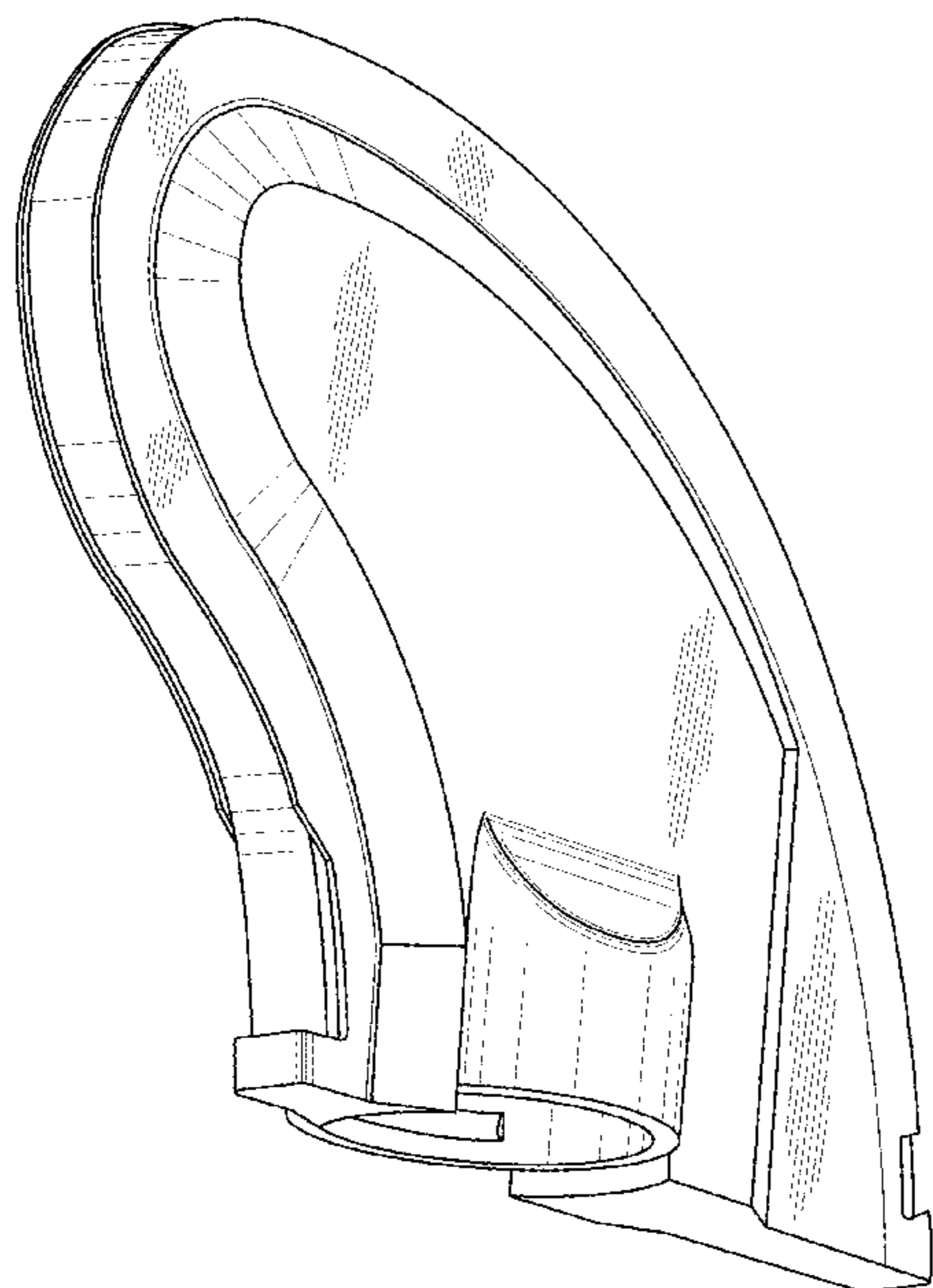
(57) **CLAIM**

The ornamental design for the fin for a water sport device, as shown and described.

**DESCRIPTION**

FIG. 1 is a perspective rear view of the fin for a water sport device, which embodies my design;  
FIG. 2 is a perspective front view thereof;  
FIG. 3 is a side view thereof;  
FIG. 4 is a side view thereof;  
FIG. 5 is a top view thereof;  
FIG. 6 is a bottom view thereof;  
FIG. 7 is a rear view thereof; and,  
FIG. 8 is a front view thereof.  
The broken line portion is included for the purpose of illustrating portions of the article which form no part of the claimed design.

**1 Claim, 5 Drawing Sheets**



(56)

**References Cited**

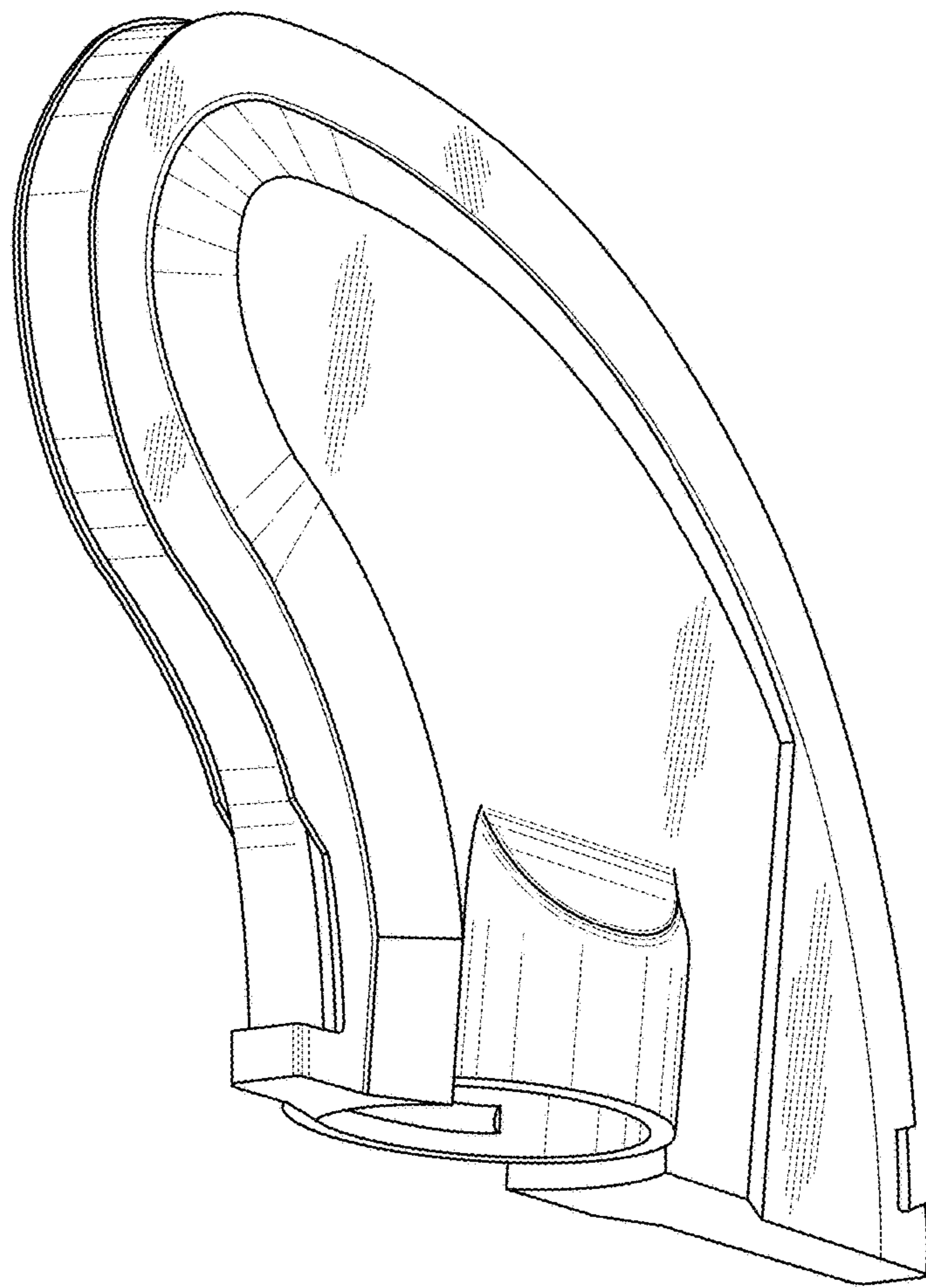
OTHER PUBLICATIONS

Naked Viking Surf ONO Twin Keel Surfboard Fins: Published Oct. 26, 2017 [online], site visited Aug. 7, 2019. Available from Internet URL: [https://www.amazon.com/dp/B07GRD8MRB/ref=cm\\_sw\\_r\\_tw\\_dp\\_U\\_x\\_Vi1sDbWSDHQBF](https://www.amazon.com/dp/B07GRD8MRB/ref=cm_sw_r_tw_dp_U_x_Vi1sDbWSDHQBF) (Year: 2017).\*

FCS G5 Surfboard Fin Tri Fin set FCS: Published Feb. 16, 2015 [online], site visited Sep. 21, 2019. Available from Internet URL: [https://www.amazon.co.uk/dp/B00TODTZ1O/ref=cm\\_sw\\_r\\_tw\\_dp\\_U\\_x\\_QBRHDbE7F1YS8](https://www.amazon.co.uk/dp/B00TODTZ1O/ref=cm_sw_r_tw_dp_U_x_QBRHDbE7F1YS8) (Year: 2015).\*

PVC Paddle Board Surfboard Long Board Center Fin : Published Jun. 17, 2017 [online], site visited Sep. 19, 2019. Available from Internet URL: [https://www.amazon.co.uk/dp/B071KNCY4C/ref=cm\\_sw\\_r\\_tw\\_dp\\_U\\_x\\_9HRHDbC79ZQVJ](https://www.amazon.co.uk/dp/B071KNCY4C/ref=cm_sw_r_tw_dp_U_x_9HRHDbC79ZQVJ) (Year: 2017).\*

\* cited by examiner



*Fig. 1*

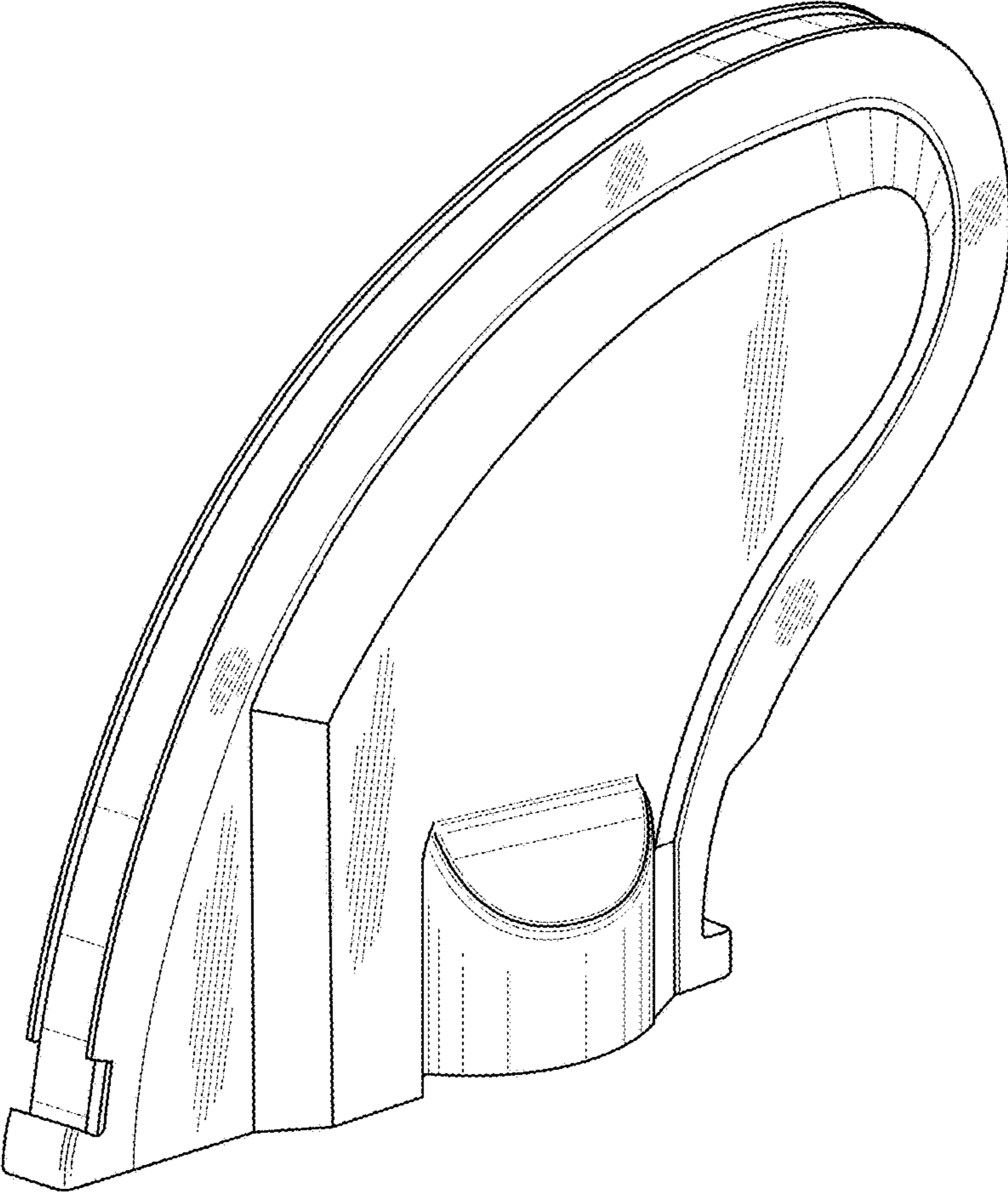
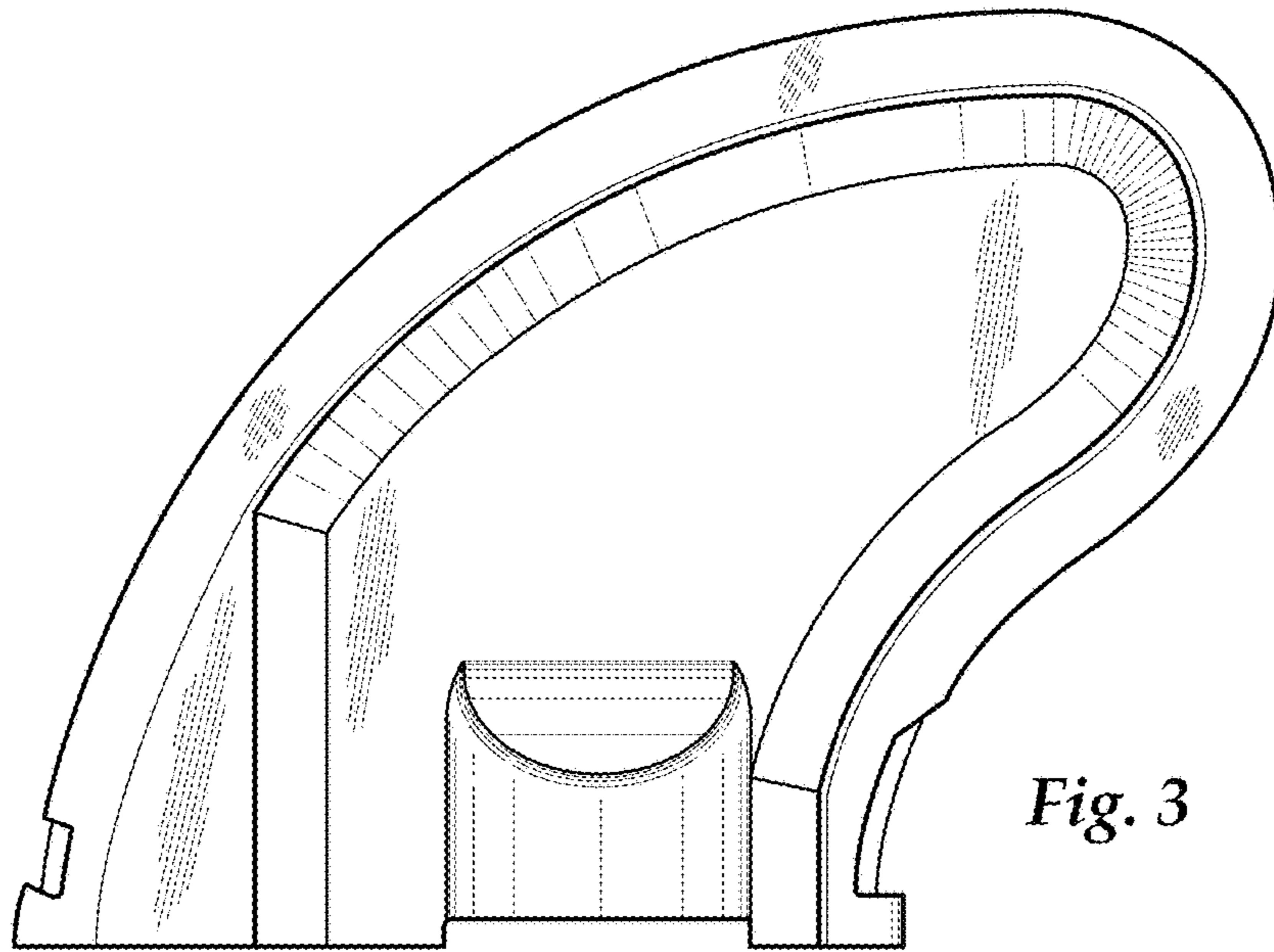
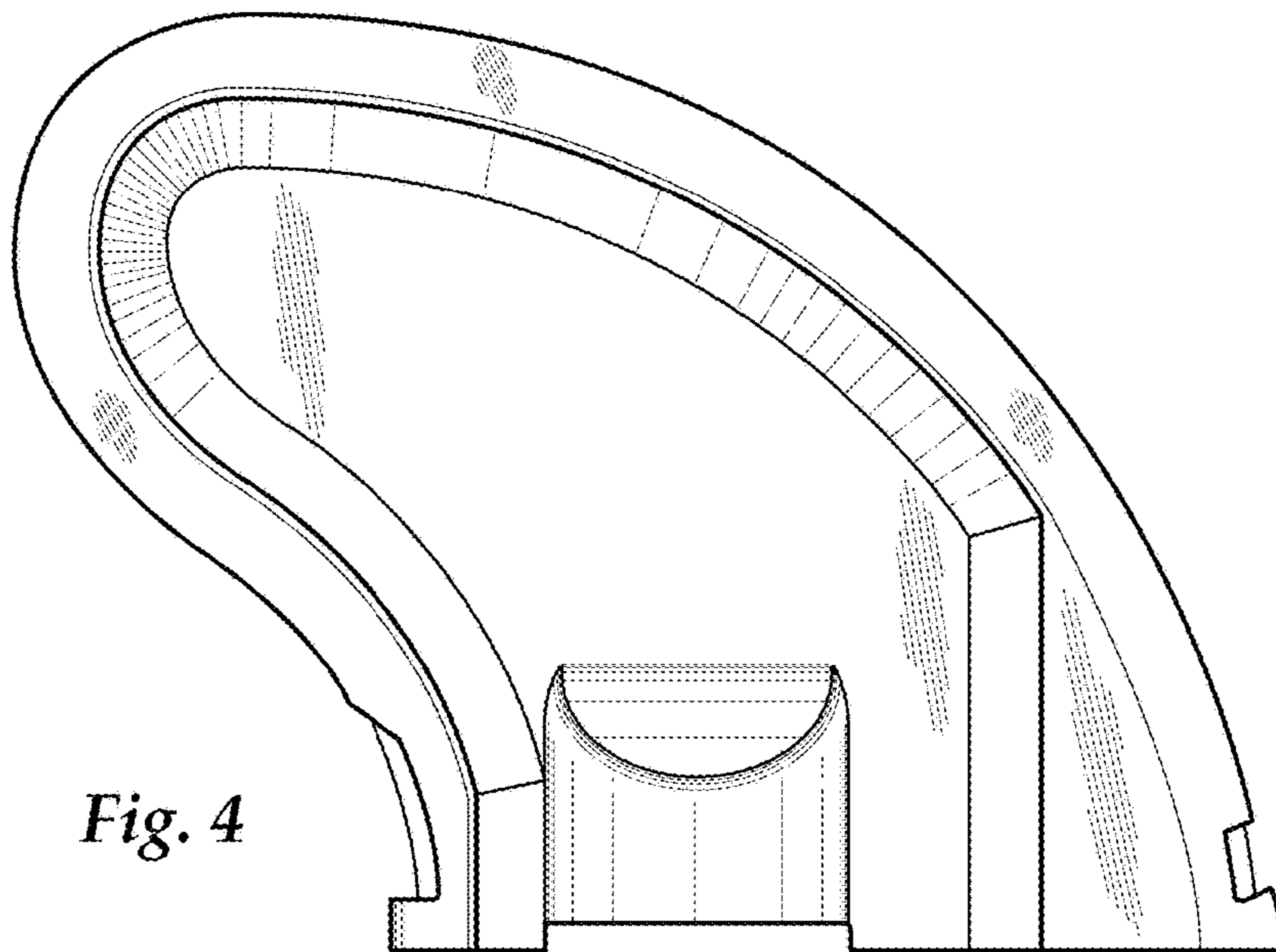


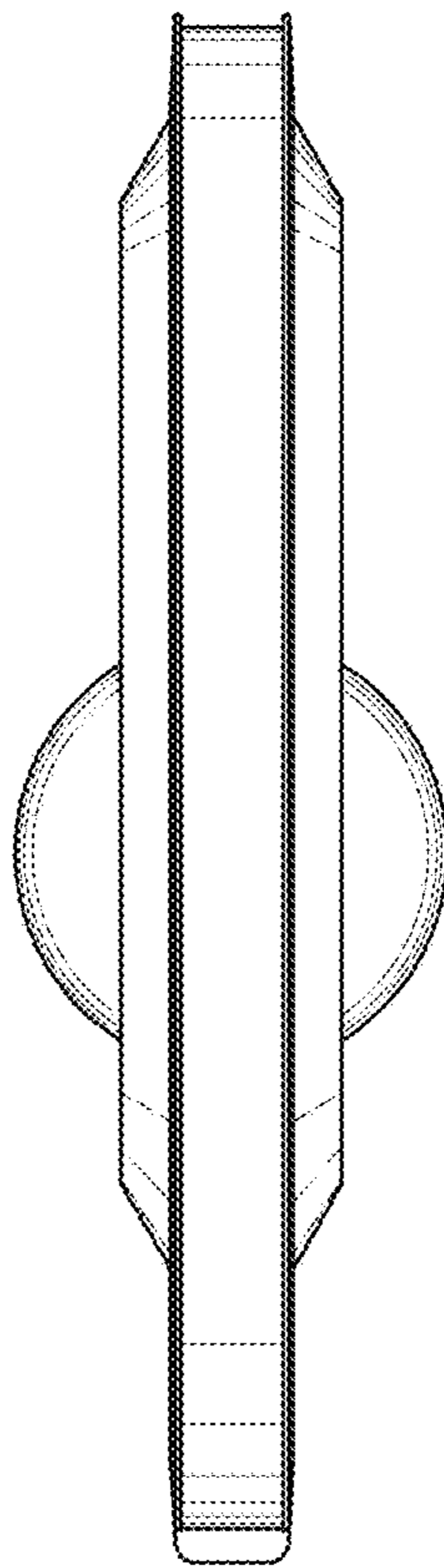
Fig. 2



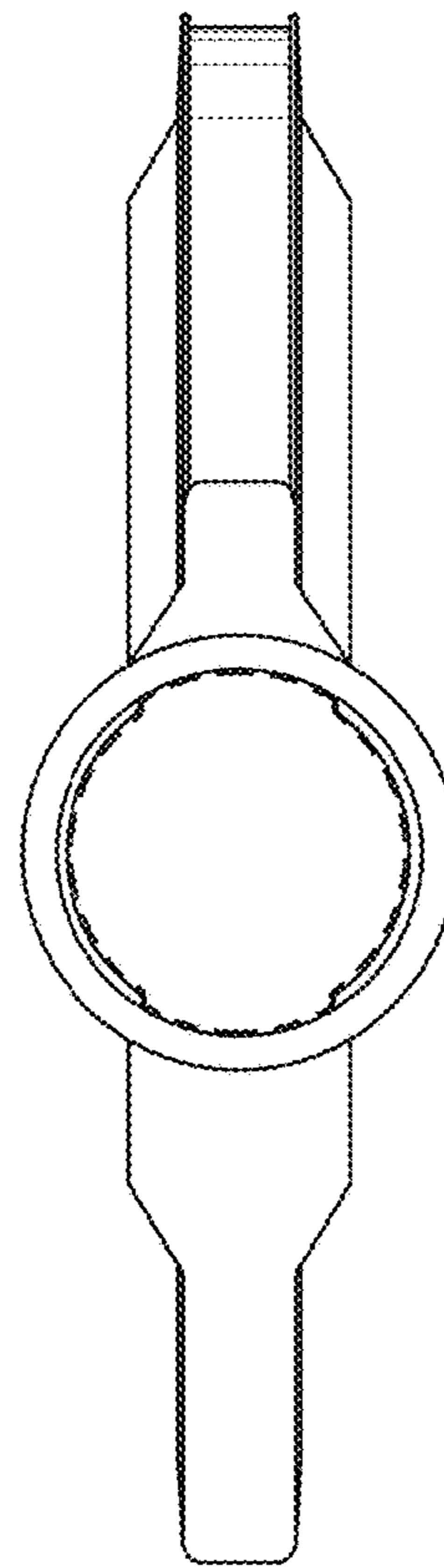
*Fig. 3*



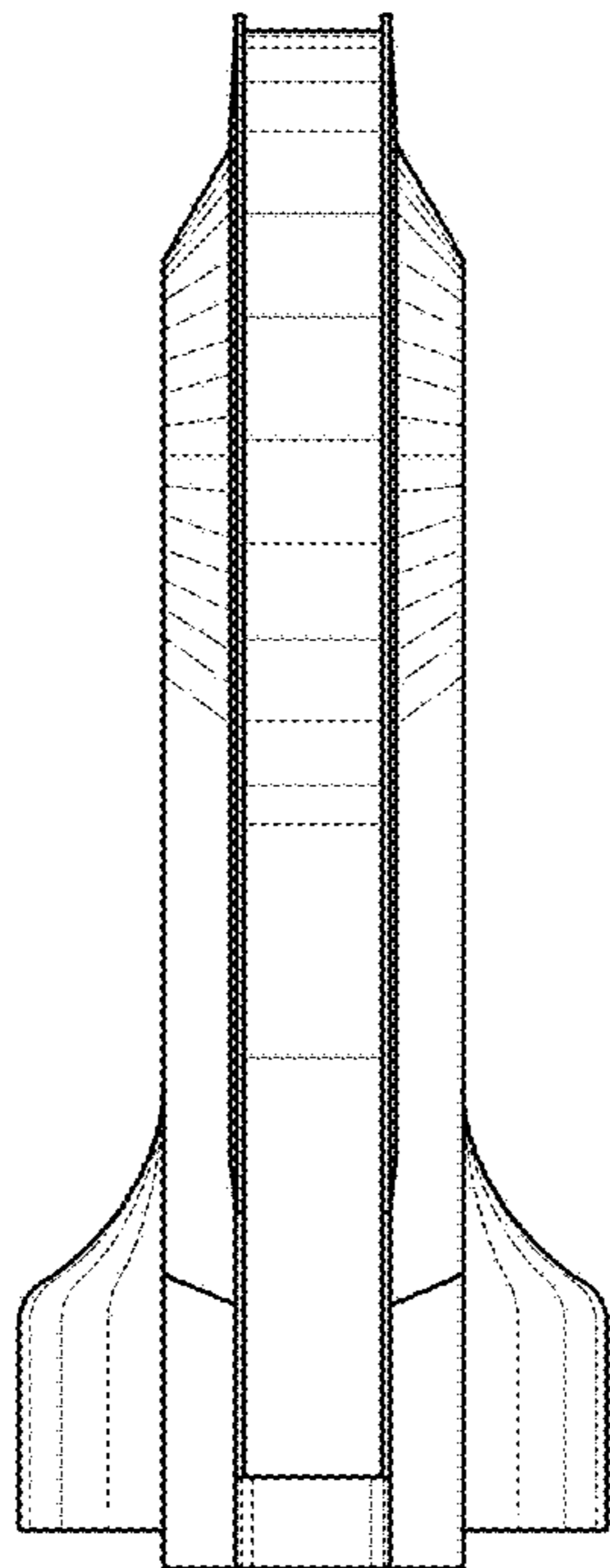
*Fig. 4*



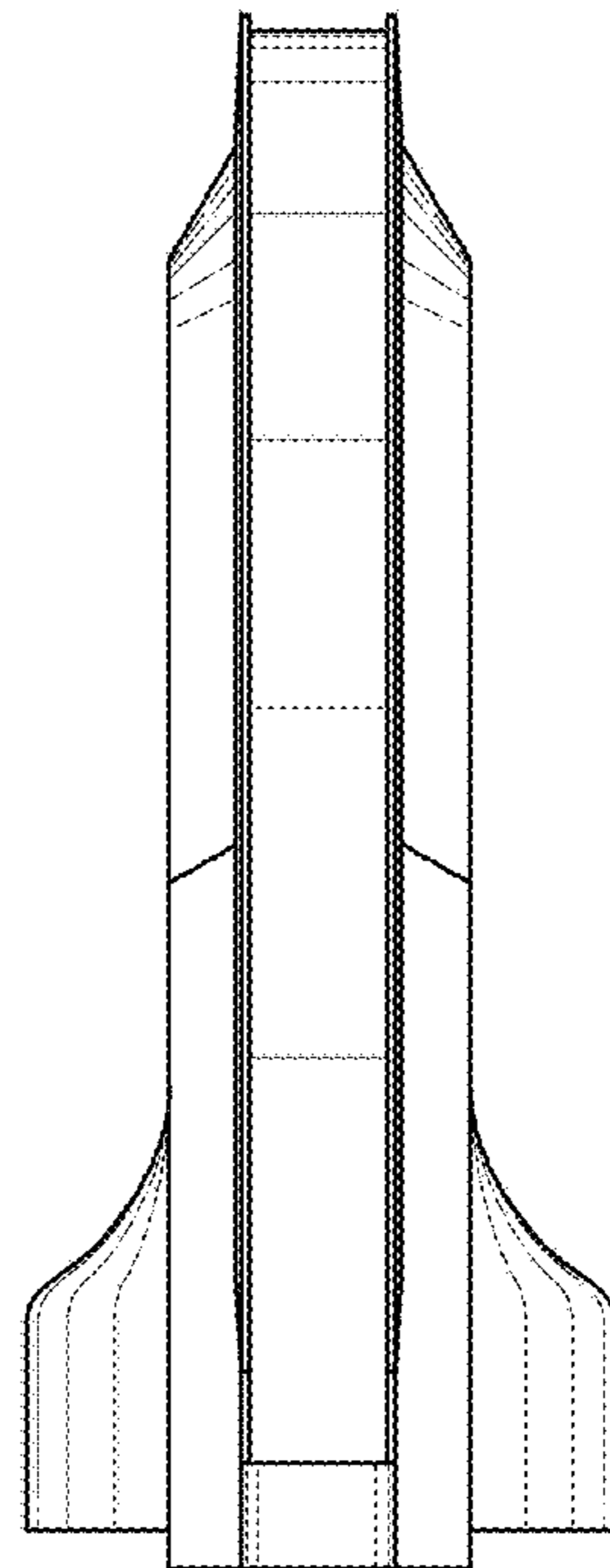
*Fig. 5*



*Fig. 6*



*Fig. 7*



*Fig. 8*