



US00D869586S

(12) **United States Design Patent** (10) **Patent No.:** **US D869,586 S**
Feury (45) **Date of Patent:** **** Dec. 10, 2019**

(54) **SNOWBOARD COVER**

(71) Applicant: **Jake Feury**, Rockaway, NJ (US)

(72) Inventor: **Jake Feury**, Rockaway, NJ (US)

(**) Term: **15 Years**

(21) Appl. No.: **29/615,797**

(22) Filed: **Aug. 31, 2017**

(51) **LOC (12) Cl.** **21-02**

(52) **U.S. Cl.**
USPC **D21/771**

(58) **Field of Classification Search**
USPC D21/668, 670, 671, 685, 686, 694, 698,
D21/760, 761, 762, 763, 764, 765, 766,
D21/769, 771, 772, 773, 775, 776, 801;
D3/254; 441/74; 280/87.042; D6/610
CPC . A63C 11/023; A63C 5/03; A45F 3/04; A45C
2003/007

See application file for complete search history.

(56) **References Cited**

U.S. PATENT DOCUMENTS

D490,491 S * 5/2004 Goa D21/771
7,374,207 B2 * 5/2008 McCoy A63C 5/062
280/809
D643,493 S * 8/2011 Nickolaisen D21/771
9,849,366 B1 * 12/2017 Thornbury A63C 11/023

OTHER PUBLICATIONS

“Burton Board sleeve” available Nov. 18, 2014, [online], [site visited Jul. 18, 2019]. Retrieved from Internet, URL:https://review.rakuten.co.jp/item/1/269848_10002898/1.1/?scid=wi_rgm_productreviews_japanese (Year: 2014).*

“540 Knitted Sleeve” available Jul. 18, 2019, [online], [site visited Jul. 18, 2019]. Retrieved from Internet, URL:https://www.melbournsnowboard.com.au/products/540-knitted-sleeve-purple-yellow (Year: 2019).*

* cited by examiner

Primary Examiner — Michael C Stout

Assistant Examiner — Katrina N Gonzalez

(74) *Attorney, Agent, or Firm* — Rothwell, Figg, Ernst & Manbeck, P.C.

(57) **CLAIM**

The ornamental design for a snowboard cover, as shown and described.

DESCRIPTION

FIG. 1 is a perspective view of the bottom, rear side of the claimed snowboard cover.

FIG. 2 is a bottom view of the snowboard cover of FIG. 1.

FIG. 3 is a top view of the snowboard cover of FIG. 1.

FIG. 4 is a left side view of the snowboard cover of FIG. 1.

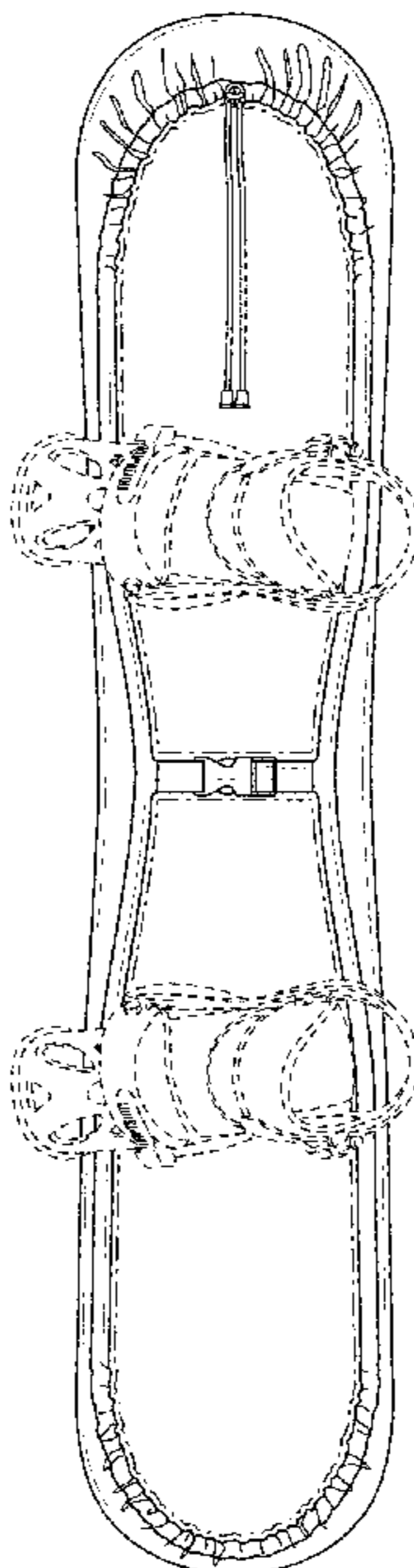
FIG. 5 is a right side view of the snowboard cover of FIG. 1.

FIG. 6 is a leading edge view of the snowboard cover of FIG. 1; and,

FIG. 7 is a trailing edge view of the snowboard cover of FIG. 1.

The dash-dash broken lines showing the logo illustrate portions of the snowboard cover. The dash-dash broken lines showing the boot bindings illustrate environmental structure. The dash-dot broken lines represent the bounds of the claim. All of the broken lines form no part of the claimed design.

1 Claim, 6 Drawing Sheets



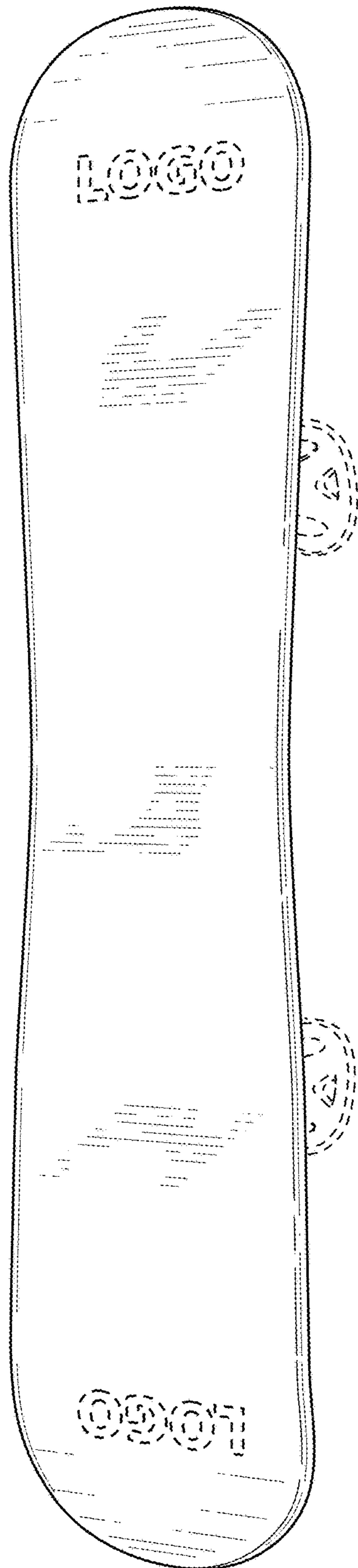


FIG. 1

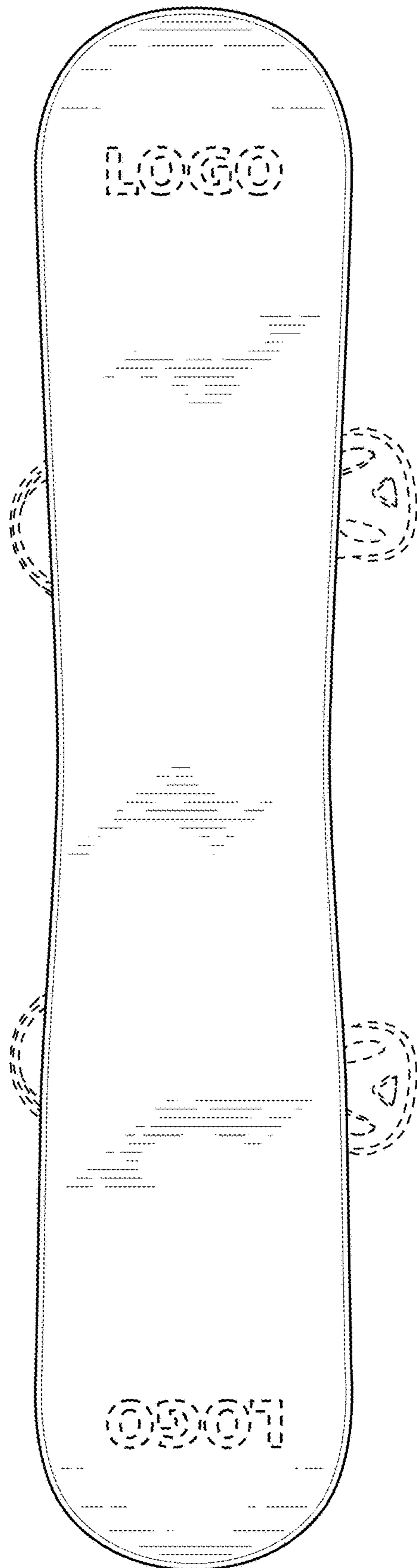


FIG. 2

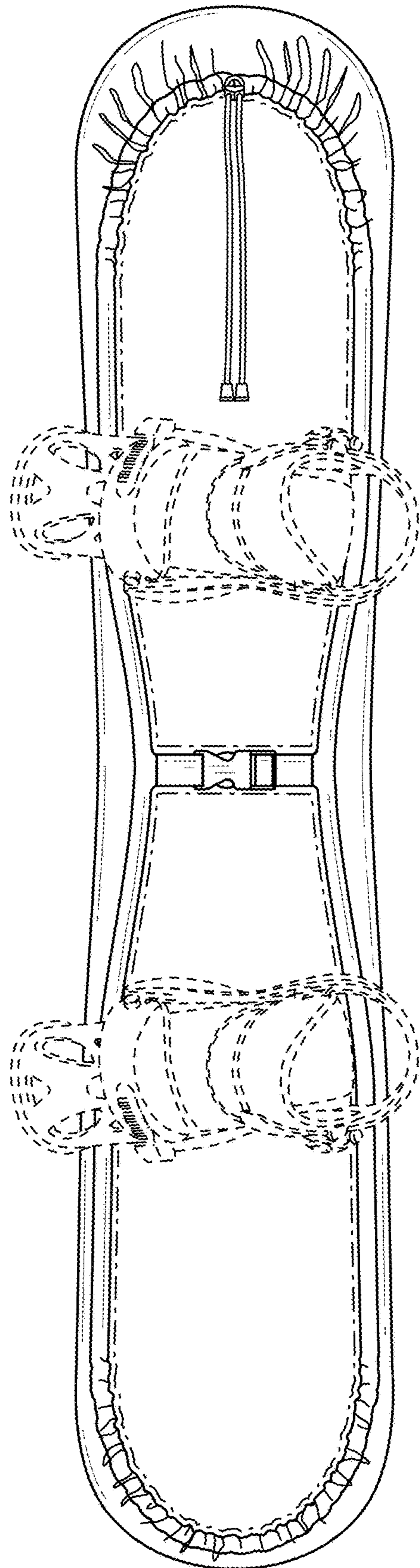


FIG. 3

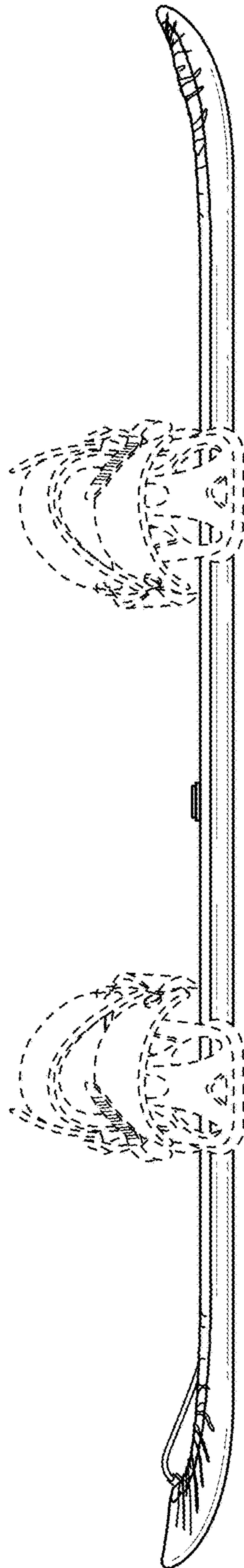


FIG. 4

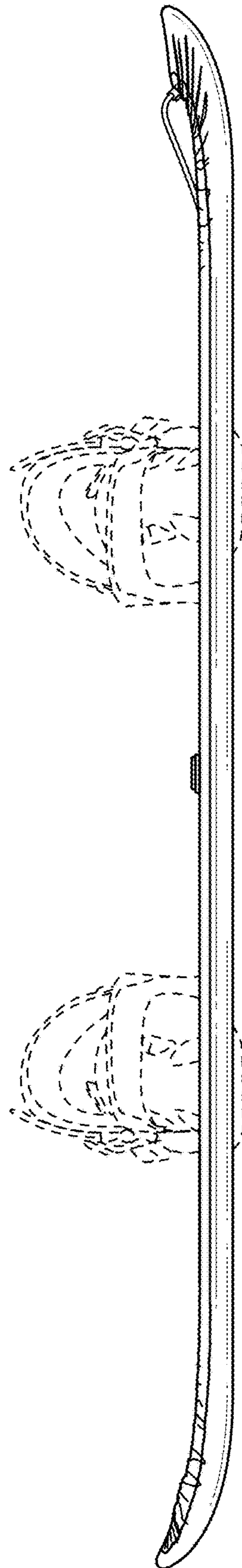


FIG. 5

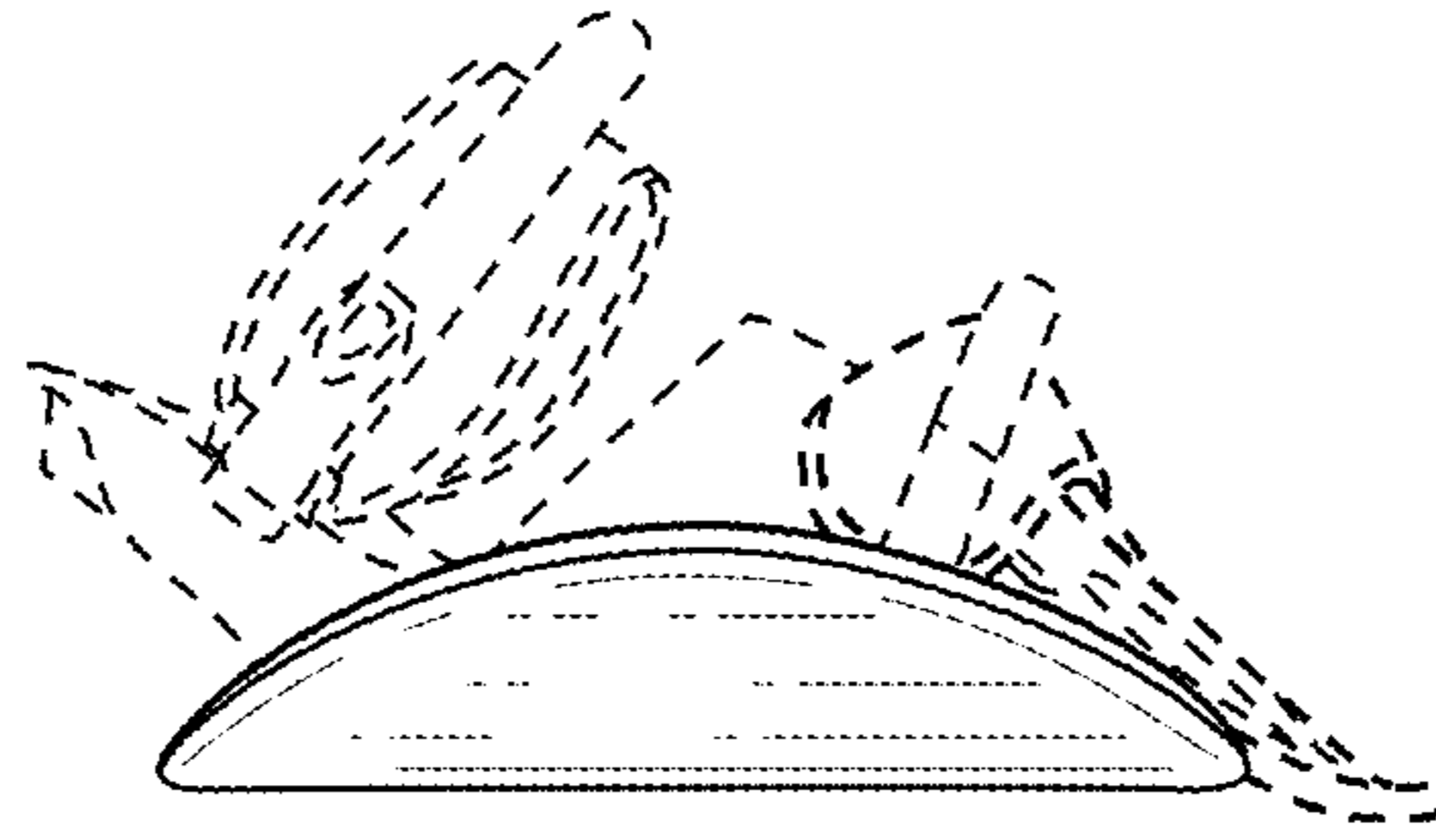


FIG. 6

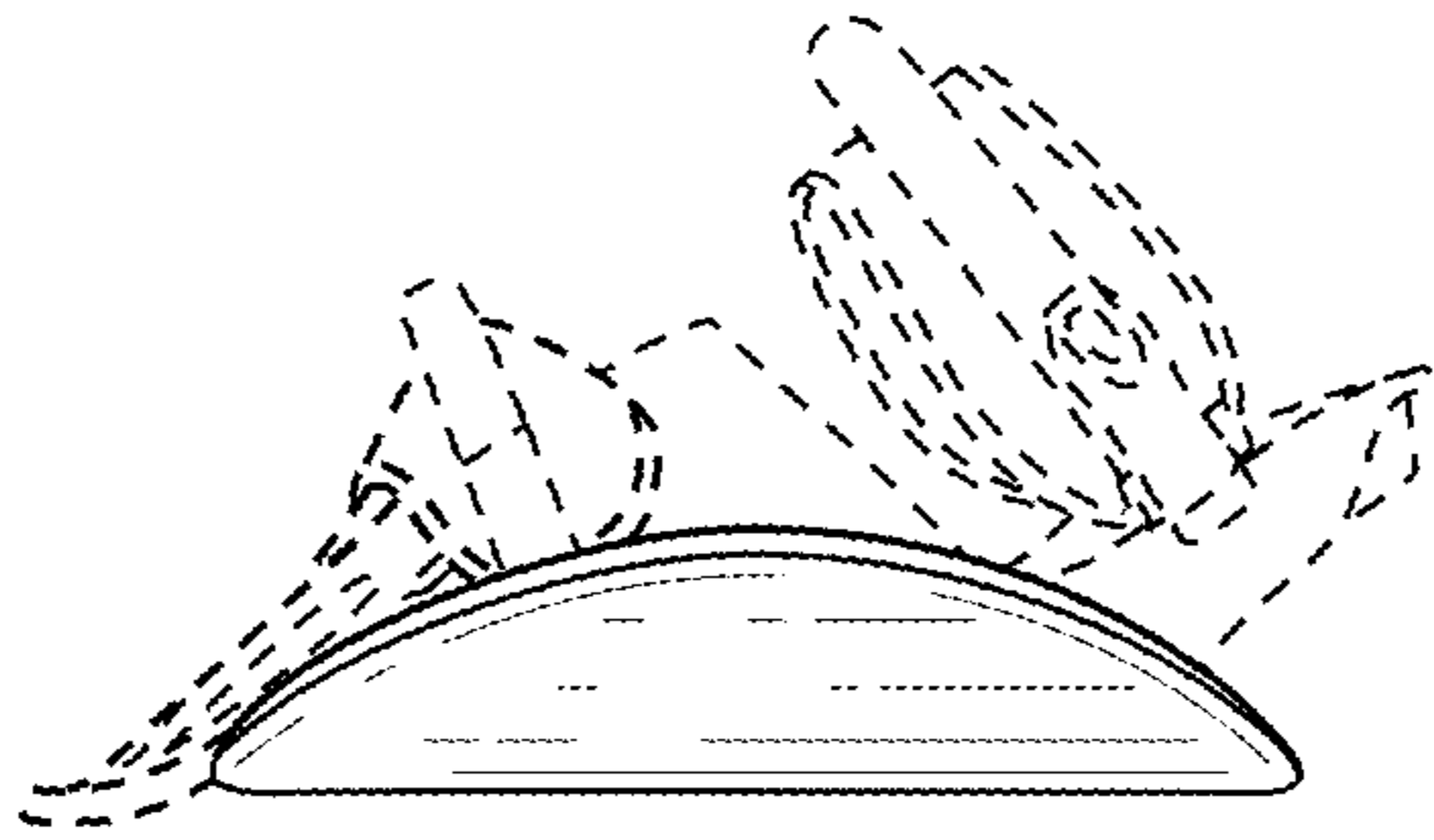


FIG. 7