



US00D869584S

(12) **United States Design Patent** (10) **Patent No.:** **US D869,584 S**
Nielson et al. (45) **Date of Patent:** **** Dec. 10, 2019**

(54) **GOLF CLUB HEAD**

(71) Applicant: **Taylor Made Golf Company, Inc.**,
Carlsbad, CA (US)

(72) Inventors: **Joseph Reeve Nielson**, Vista, CA (US);
Christian Reber Wester, San Diego,
CA (US); **Craig Richard Slyfield**, San
Diego, CA (US); **Rachel Elizabeth
Gardner**, Carlsbad, CA (US); **Brian
Bazzel**, Carlsbad, CA (US); **Robert
Nunez**, Vista, CA (US)

(73) Assignee: **Taylor Made Golf Company, Inc.**,
Carlsbad, CA (US)

(**) Term: **15 Years**

(21) Appl. No.: **29/649,821**

(22) Filed: **Jun. 1, 2018**

Related U.S. Application Data

(62) Division of application No. 29/577,152, filed on Sep.
9, 2016, now Pat. No. Des. 820,367.

(51) **LOC (12) Cl.** **21-02**

(52) **U.S. Cl.**
USPC **D21/759**

(58) **Field of Classification Search**
USPC D21/736-752, 759
CPC A63B 53/00; A63B 53/04; A63B 53/0466;
A63B 2053/002; A63B 2053/0445; A63B
2053/0433; A63B 2053/0491; A63B
2053/0437

See application file for complete search history.

(56) **References Cited**

U.S. PATENT DOCUMENTS

D187,401 S * 3/1960 Whittle D21/733
D200,416 S * 2/1965 Leeah D21/745
D256,709 S * 9/1980 Reid, Jr. D21/752

D268,357 S * 3/1983 Mader D21/733
D380,515 S * 7/1997 Fabbri, Jr. D21/745
D453,365 S * 2/2002 Carr D21/752
D496,084 S * 9/2004 Imamoto D21/759
D497,964 S * 11/2004 Kusumoto D21/759

(Continued)

OTHER PUBLICATIONS

“Cobra Bio Cell + Driver,” downloaded from <http://www.golfsmith.com/product/30101039/cobra-bio-cell-driver>, 1 page (document not dated, downloaded on May 12, 2015).

Primary Examiner — Mitchell I. Siegel

(74) *Attorney, Agent, or Firm* — Klarquist Sparkman LLP

(57) **CLAIM**

We claim the ornamental design for a golf club head, as shown and described.

DESCRIPTION

FIG. 1 is a perspective view of the golf club head as viewed from the rear, above and one side.

FIG. 2 is a front elevation view of the golf club head of FIG. 1.

FIG. 3 is a rear elevation view of the golf club head of FIG. 1.

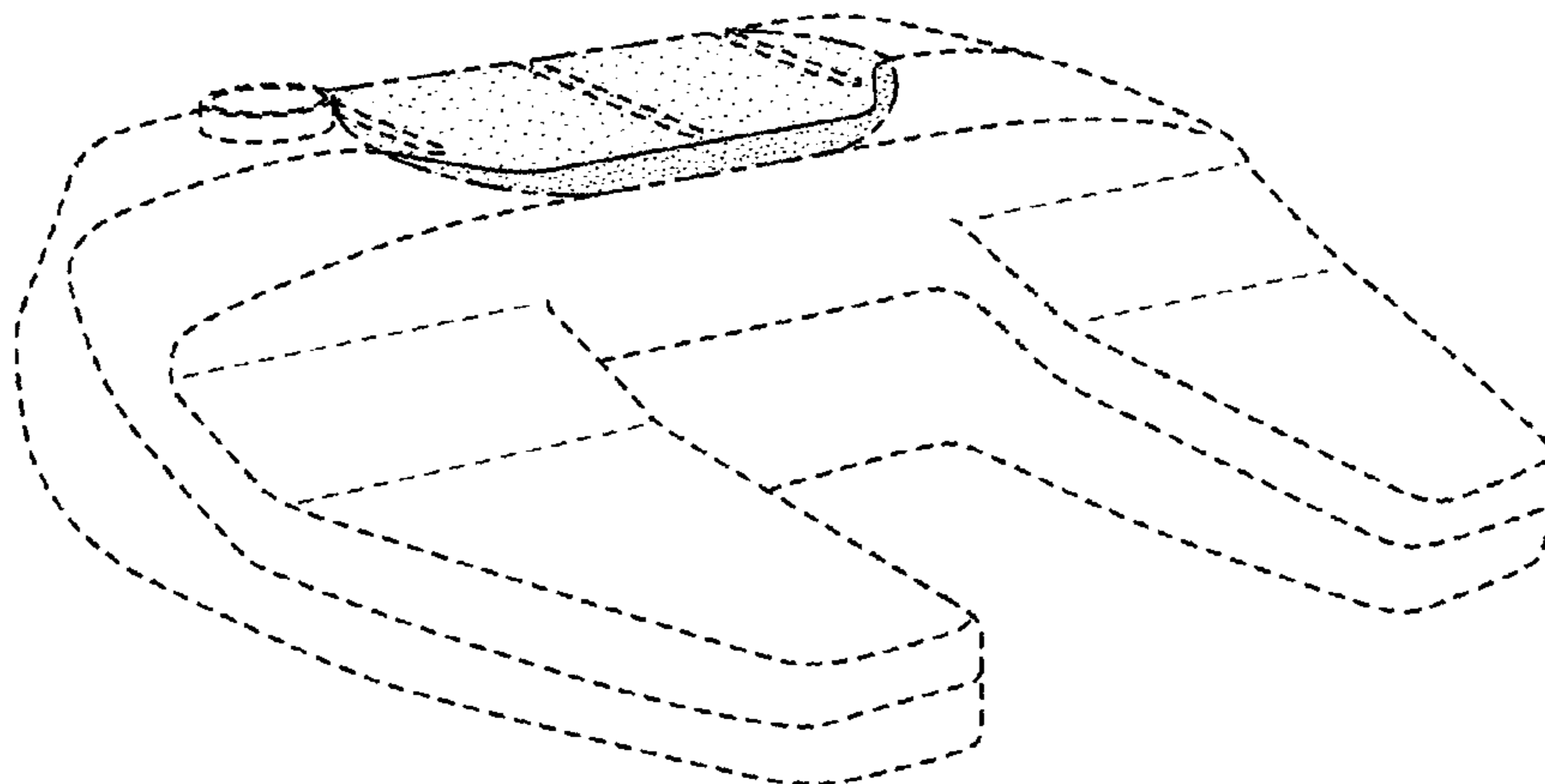
FIG. 4 is a side elevation view of the toe of the golf club head of FIG. 1.

FIG. 5 is a side elevation view of the heel of the golf club head of FIG. 1.

FIG. 6 is a top plan view of the golf club head of FIG. 1; and, FIG. 7 is a bottom plan view of the golf club head of FIG. 1.

The broken line showing is included for the purpose of illustrating and forms no part of the claimed design. The dash-dot lines are included as boundary lines and form no part of the claimed design. A portion of the crown are stippled heavier and lighter to illustrate contrasting surfaces of different color.

1 Claim, 5 Drawing Sheets



(56)

References Cited

U.S. PATENT DOCUMENTS

D502,520 S *	3/2005	Dogan	D21/759	D713,480 S *	9/2014	Hilton	D21/759
D524,399 S *	7/2006	Madore	D21/759	D713,907 S *	9/2014	Hilton	D21/759
D532,858 S *	11/2006	Rice	D21/759	D713,908 S *	9/2014	Hilton	D21/759
D544,560 S *	6/2007	Oldknow	D21/759	D713,909 S *	9/2014	Hilton	D21/759
D553,206 S *	10/2007	Morales	D21/733	D713,910 S *	9/2014	Hilton	D21/759
D557,362 S *	12/2007	Serrano	D21/752	D713,911 S *	9/2014	Hilton	D21/759
D561,286 S *	2/2008	Morales	D21/759	D713,912 S *	9/2014	Hilton	D21/759
D577,405 S *	9/2008	Oldknow	D21/759	D713,913 S *	9/2014	Hilton	D21/759
D579,071 S *	10/2008	Oldknow	D21/759	D713,914 S *	9/2014	Hilton	D21/759
D583,889 S *	12/2008	Stites	D21/759	D713,915 S *	9/2014	Hilton	D21/759
D584,783 S *	1/2009	Barez	D21/759	D713,916 S *	9/2014	Hilton	D21/759
D584,784 S *	1/2009	Barez	D21/759	8,821,312 B2	9/2014	Burnett et al.	
7,682,262 B2 *	3/2010	Soracco	A63B 53/0466 473/329	8,827,831 B2	9/2014	Burnett et al.	
D627,408 S	11/2010	Lindsay		D714,869 S	10/2014	Turner et al.	
D643,079 S	8/2011	Lindsay		8,888,607 B2	11/2014	Harbert et al.	
D643,892 S *	8/2011	McGrorty	D21/735	D719,622 S *	12/2014	Rollinson	D21/746
D652,464 S *	1/2012	Bertone	D21/733	D720,023 S *	12/2014	Rollinson	D21/736
D662,560 S *	6/2012	Piniarski	D21/733	D720,411 S *	12/2014	Rollinson	D21/743
D664,222 S	7/2012	Lindsay		D720,412 S *	12/2014	Rollinson	D21/743
8,348,780 B2 *	1/2013	Stites	A63B 53/0466 473/231	D724,165 S	3/2015	Cardani et al.	
D688,341 S *	8/2013	Rollinson	D21/746	8,986,133 B2	3/2015	Bennett et al.	
D697,152 S	1/2014	Harbert et al.		9,089,747 B2	7/2015	Boyd et al.	
D708,280 S	7/2014	Sargent et al.		9,089,749 B2	7/2015	Burnett et al.	
D709,570 S *	7/2014	Miraflor, III	D21/759	9,168,428 B2	10/2015	Albertsen et al.	
D709,571 S	7/2014	Sargent et al.		9,220,953 B2	12/2015	Beach et al.	
D709,572 S	7/2014	Sargent et al.		D765,808 S *	9/2016	Cardani	D21/759
D710,467 S *	8/2014	Miraflor, III	D21/759	D766,391 S *	9/2016	Cardani	D21/759
D711,992 S *	8/2014	Miraflor, III	D21/759	D767,694 S *	9/2016	Nielson	D21/733
D711,993 S *	8/2014	Miraflor, III	D21/759	D584,782 S *	11/2016	Barez	D21/759
D712,990 S *	9/2014	Hilton	D21/759	D772,996 S *	11/2016	Taylor	D21/759
D713,479 S *	9/2014	Hilton	D21/759	D791,256 S *	7/2017	Nielson	D21/759
				D820,367 S *	6/2018	Nielson	D21/759
				2007/0032313 A1 *	2/2007	Serrano	A63B 53/0466 473/349
				2007/0049417 A1	3/2007	Shear	
				2016/0059093 A1	3/2016	Nielson et al.	

* cited by examiner

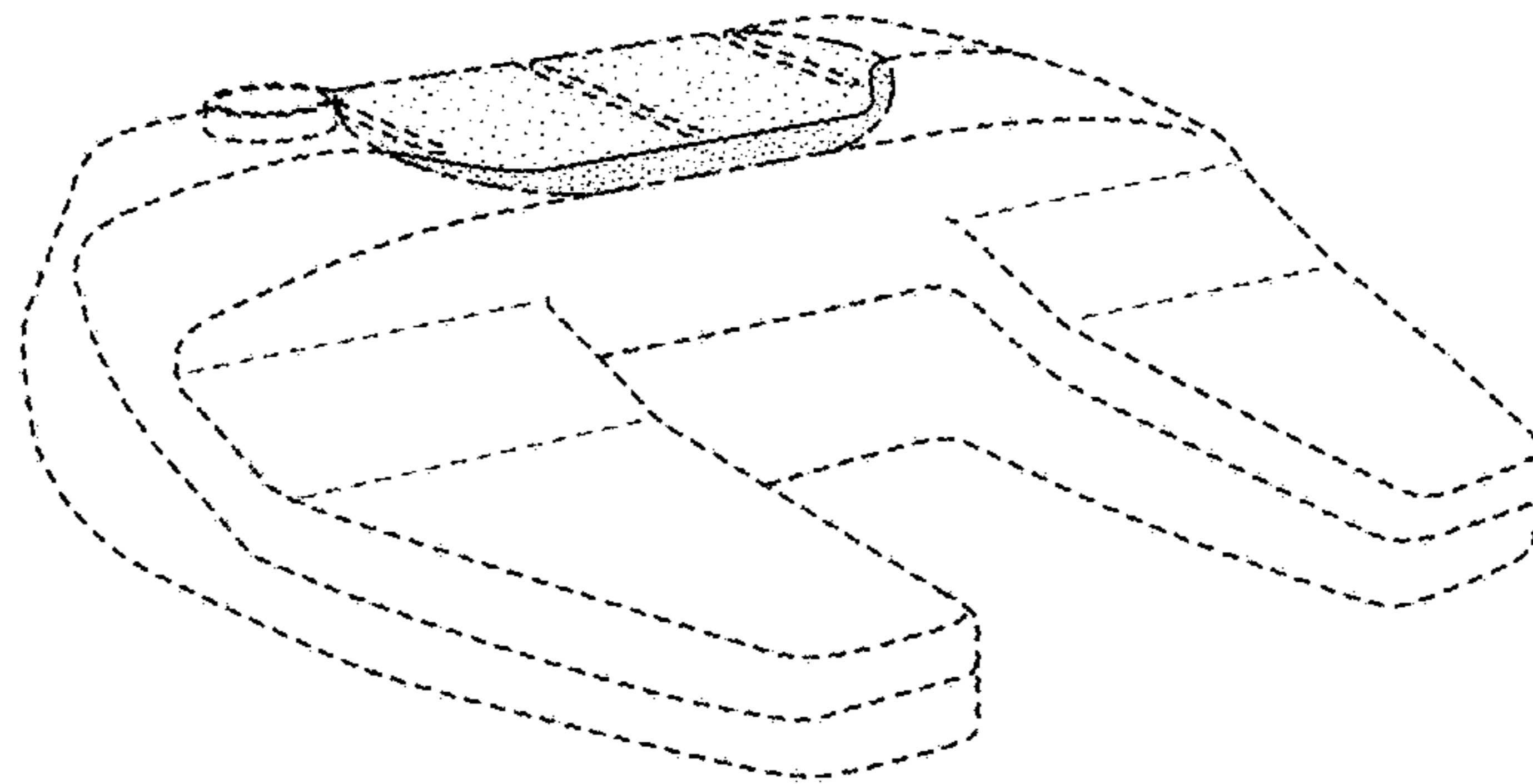


FIG. 1

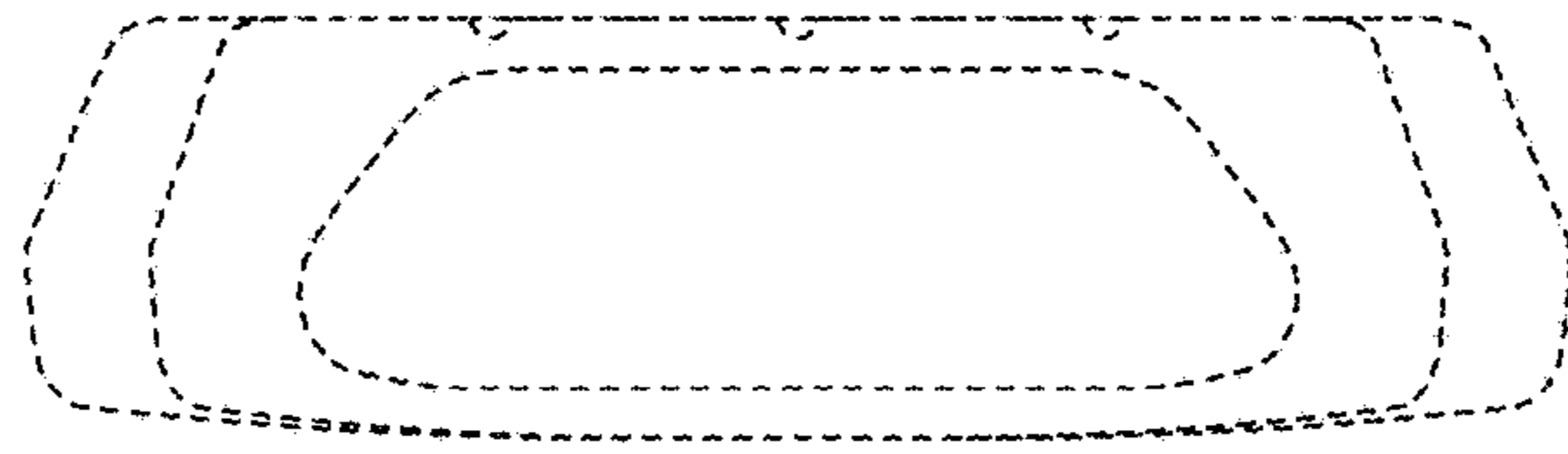


FIG. 2



FIG. 3

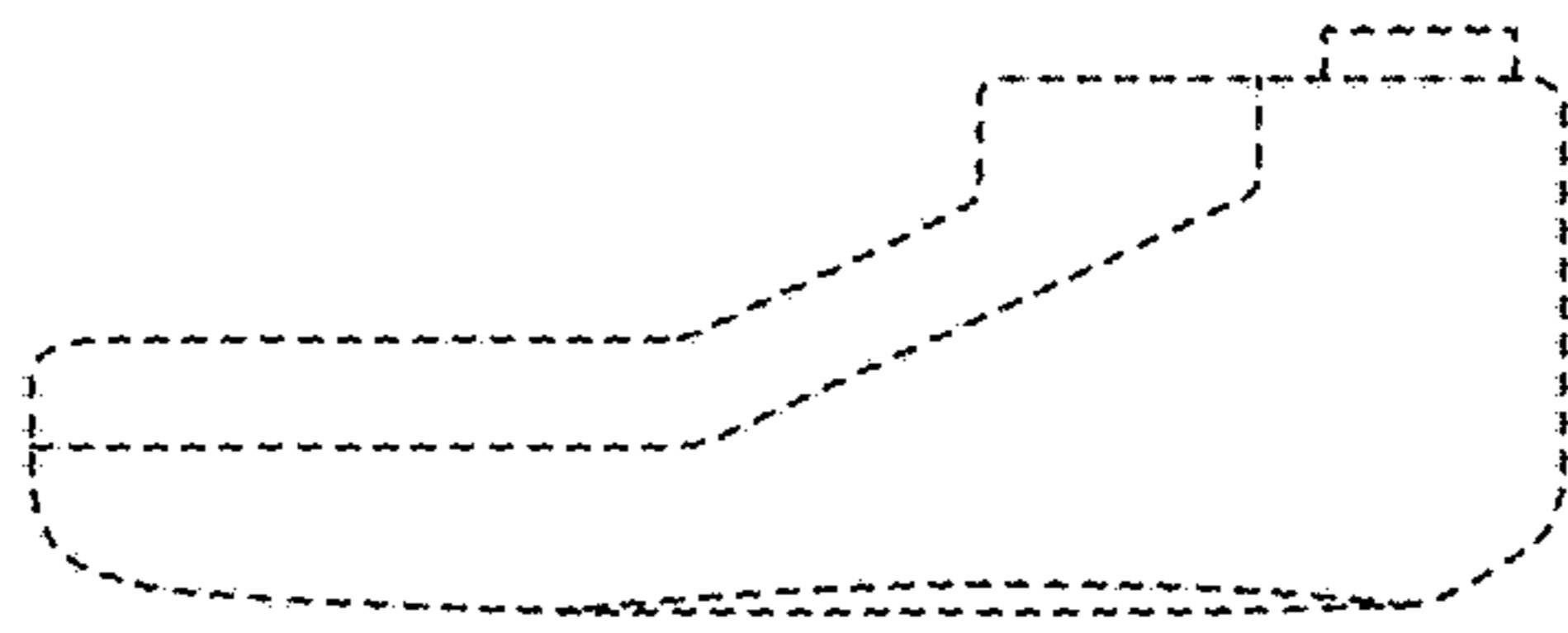


FIG. 4

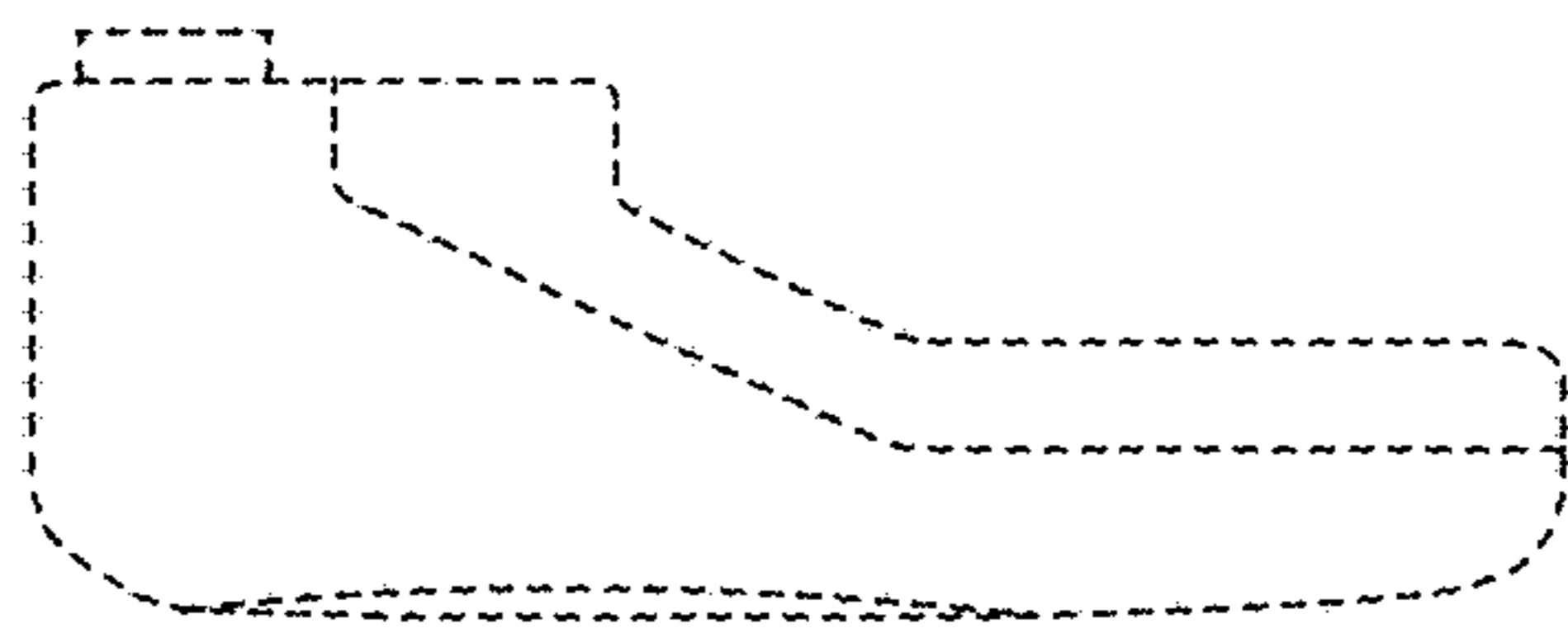


FIG. 5

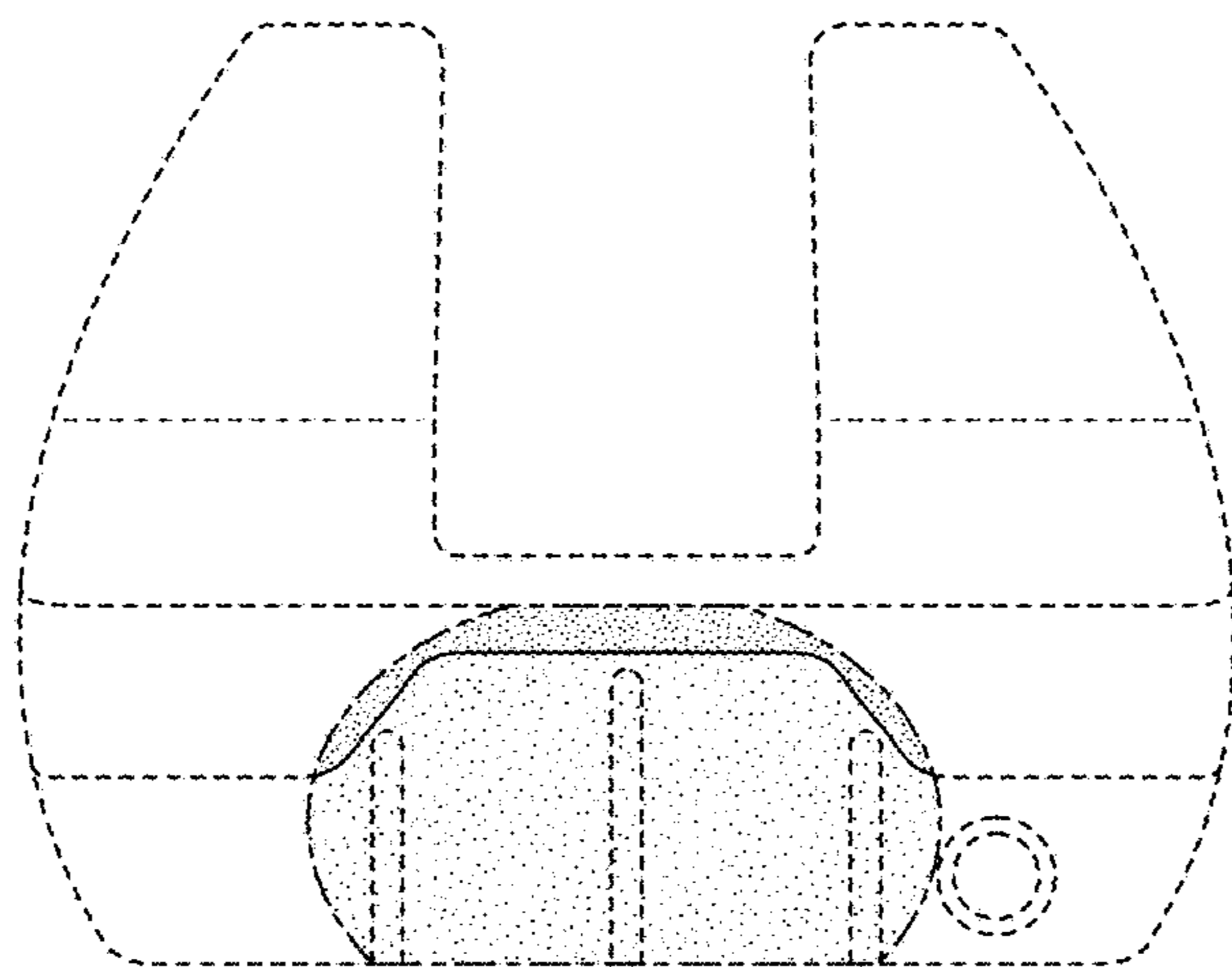


FIG. 6

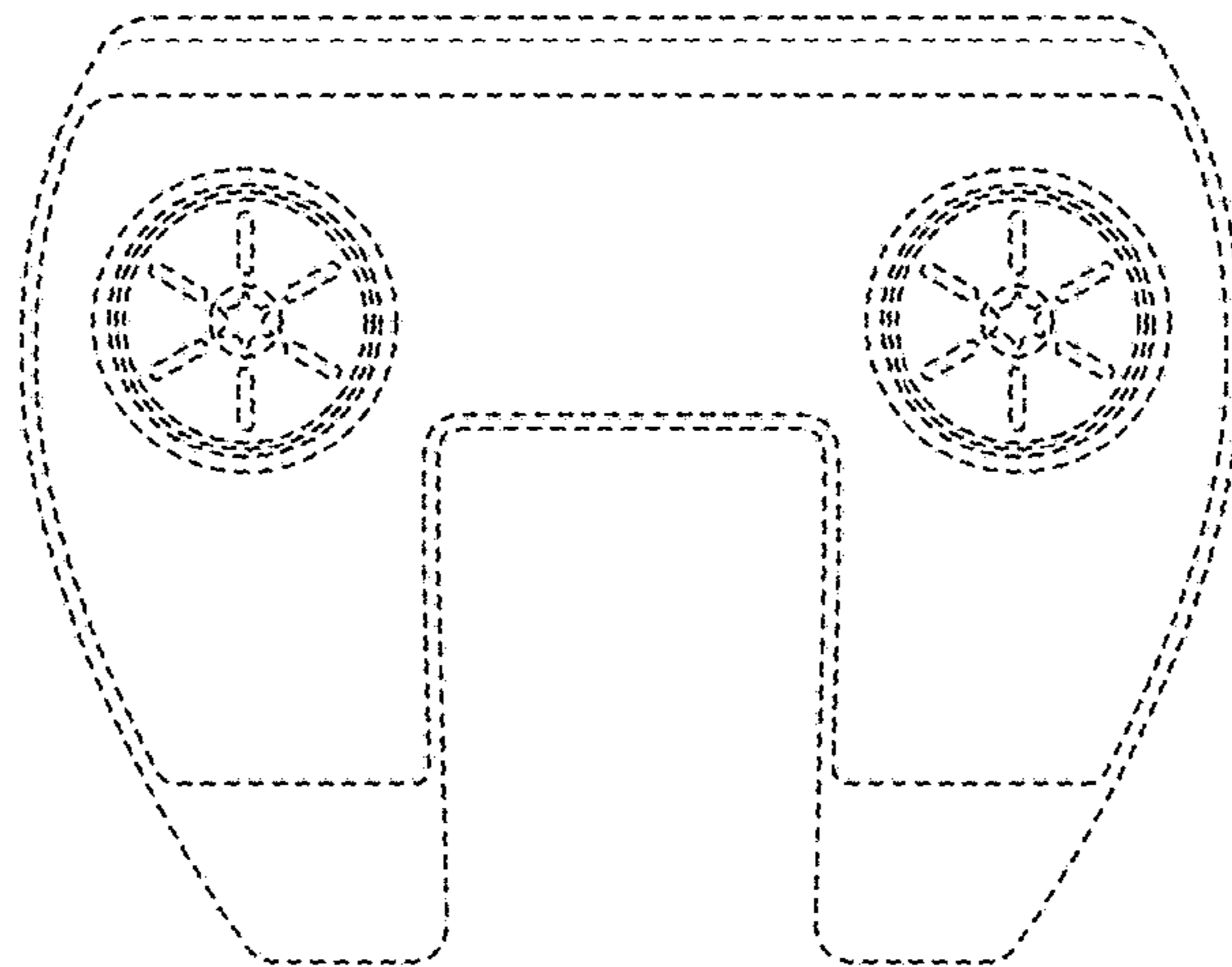


FIG. 7