



US00D869576S

(12) **United States Design Patent**
Katayama et al.

(10) **Patent No.:** **US D869,576 S**

(45) **Date of Patent:** **** Dec. 10, 2019**

(54) **ROBOT TOY**

(71) Applicant: **TOMY COMPANY, LTD.**, Tokyo (JP)

(72) Inventors: **Shu Katayama**, Tokyo (JP); **Akiko Ikoma**, Tokyo (JP); **Mitsutoshi Tokuyama**, Tokyo (JP); **Shigeru Kanauchi**, Tokyo (JP); **Masashi Katahira**, Tokyo (JP)

(73) Assignee: **TOMY COMPANY, LTD.**, Tokyo (JP)

(**) Term: **15 Years**

(21) Appl. No.: **29/658,761**

(22) Filed: **Aug. 2, 2018**

(30) **Foreign Application Priority Data**

Feb. 13, 2018 (JP) 2018-002868

(51) **LOC (12) Cl.** **21-01**

(52) **U.S. Cl.**
USPC **D21/650; D21/578**

(58) **Field of Classification Search**
USPC D6/598; D11/158, 162; D21/576-596,
D21/604-605, 621, 650; 446/99, 268,
446/368-369, 376, 428, 487; 180/8.6;
D30/160
CPC ... A63H 3/00; A63H 3/02; A63H 3/04; A63H
3/16; A63H 3/28; A63H 3/36; A63H
7/06; A63H 11/00; A63H 11/10; A63H
11/20; A63H 11/205; A63H 13/00; A63H
33/04; A63H 33/08; A63H 33/042; A63H
23/10

See application file for complete search history.

(56) **References Cited**

U.S. PATENT DOCUMENTS

4,216,612 A * 8/1980 Erickson A63H 11/10
446/272
D268,655 S * 4/1983 Kodaka A63H 11/205
D21/650

D272,893 S * 3/1984 Kodaka A63H 11/205
D21/650
D307,926 S * 5/1990 Shinohara A63H 11/10
D21/584
D479,288 S * 9/2003 Nakase D21/578
6,652,352 B1 * 11/2003 MacArthur A63H 11/205
180/8.6
D507,606 S * 7/2005 Nakase D21/578
7,938,708 B2 * 5/2011 Willet A63H 11/205
446/330
D670,770 S * 11/2012 Mimlitch, III D21/650
D689,148 S * 9/2013 Mimlitch, III D21/650
D689,562 S * 9/2013 Mimlitch, III D21/650
9,233,313 B2 * 1/2016 Olivera A63H 11/20

* cited by examiner

Primary Examiner — Sandra L Morris

(74) *Attorney, Agent, or Firm* — Oliff PLC

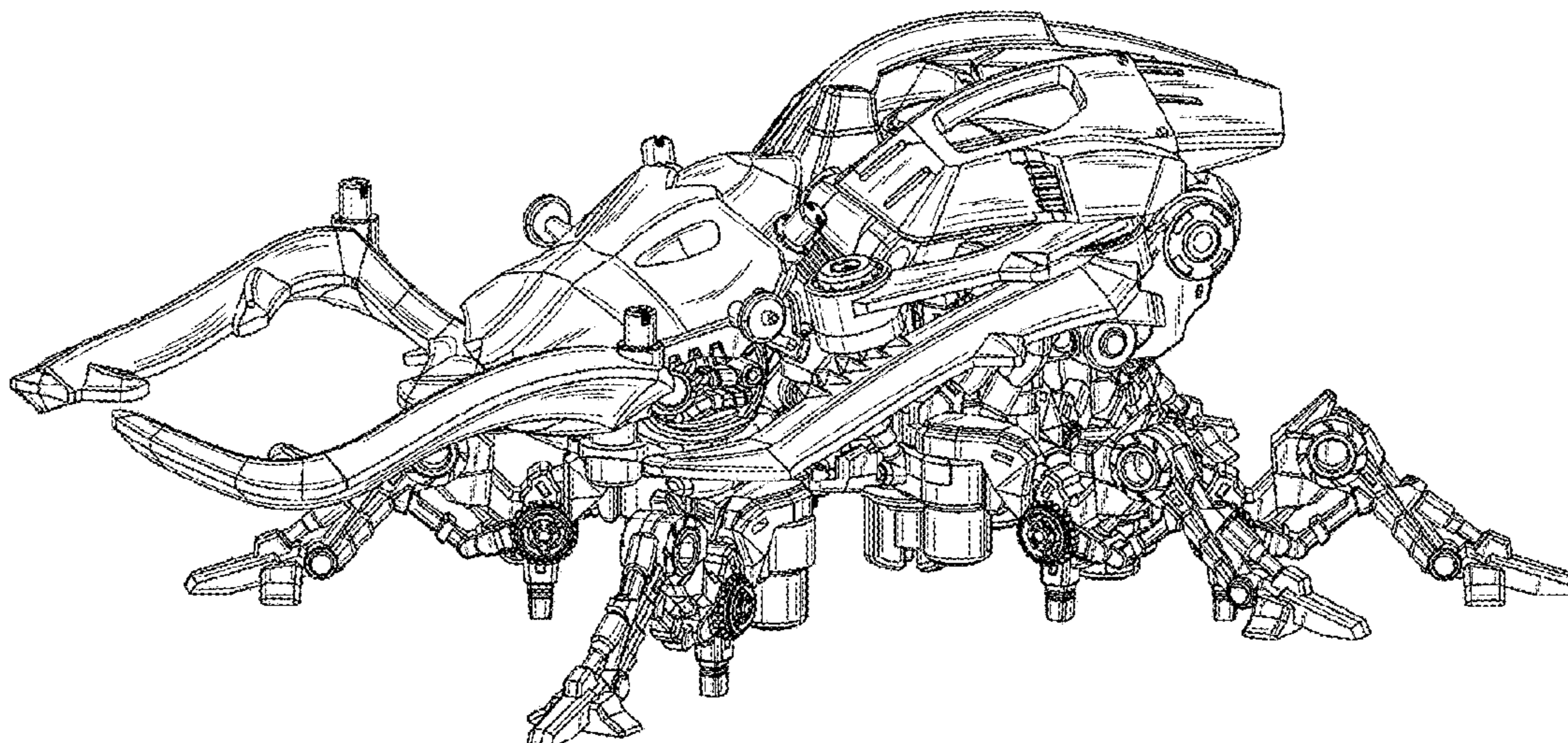
(57) **CLAIM**

The ornamental design for a robot toy, as shown and described.

DESCRIPTION

FIG. 1 is a right-side elevational view of the robot toy;
FIG. 2 is a left-side elevational view thereof;
FIG. 3 is a front elevational view thereof;
FIG. 4 is a rear elevational view thereof;
FIG. 5 is a top plan view thereof;
FIG. 6 is a bottom plan view thereof;
FIG. 7 is a front, right-side, top perspective view thereof;
FIG. 8 is a rear, left-side, bottom perspective view thereof;
FIG. 9 is a front, right-side, top perspective view of an alternate configuration thereof; and,
FIG. 10 is a rear, left-side, bottom perspective view of the alternate configuration.

1 Claim, 10 Drawing Sheets



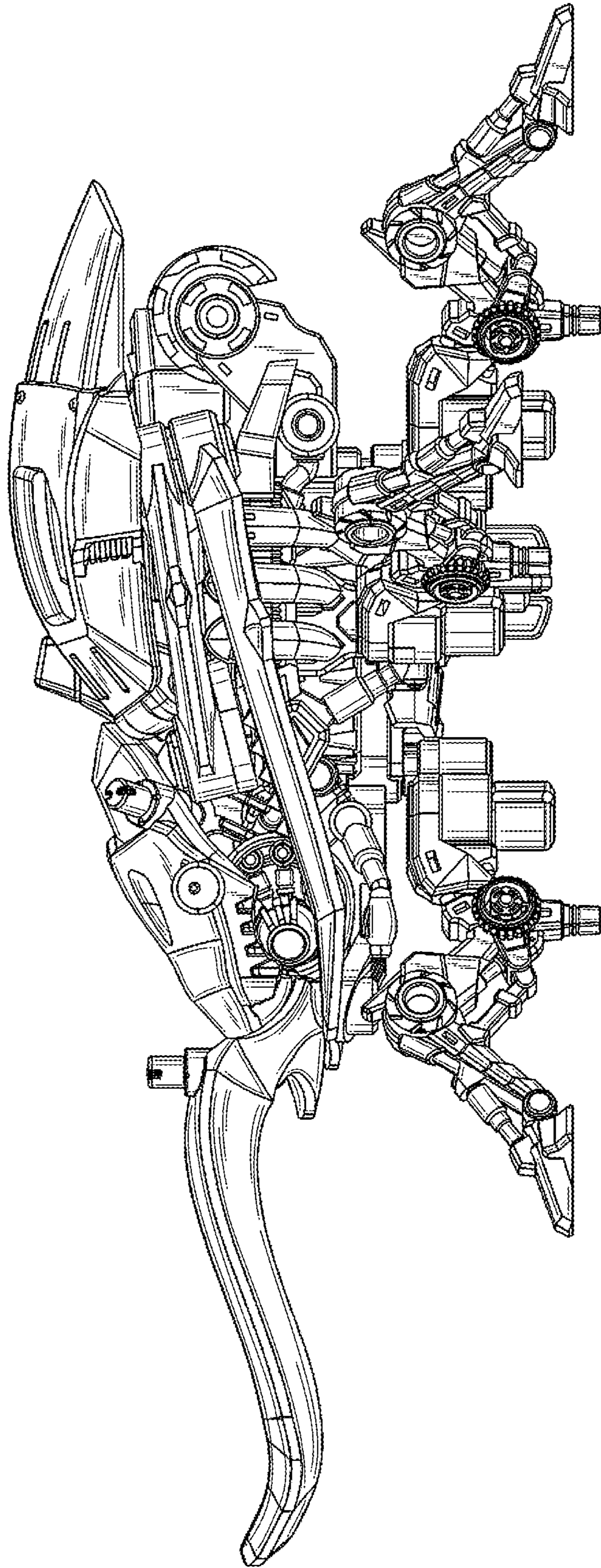


FIG. 1

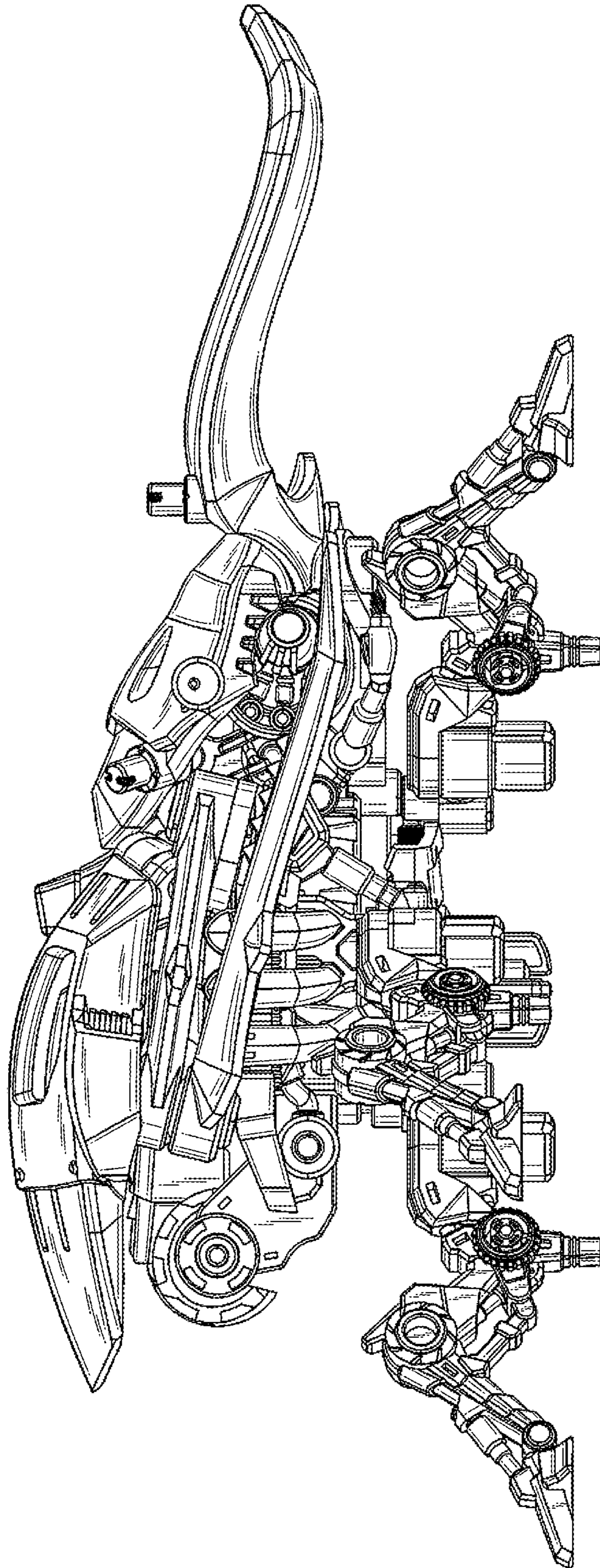


FIG. 2

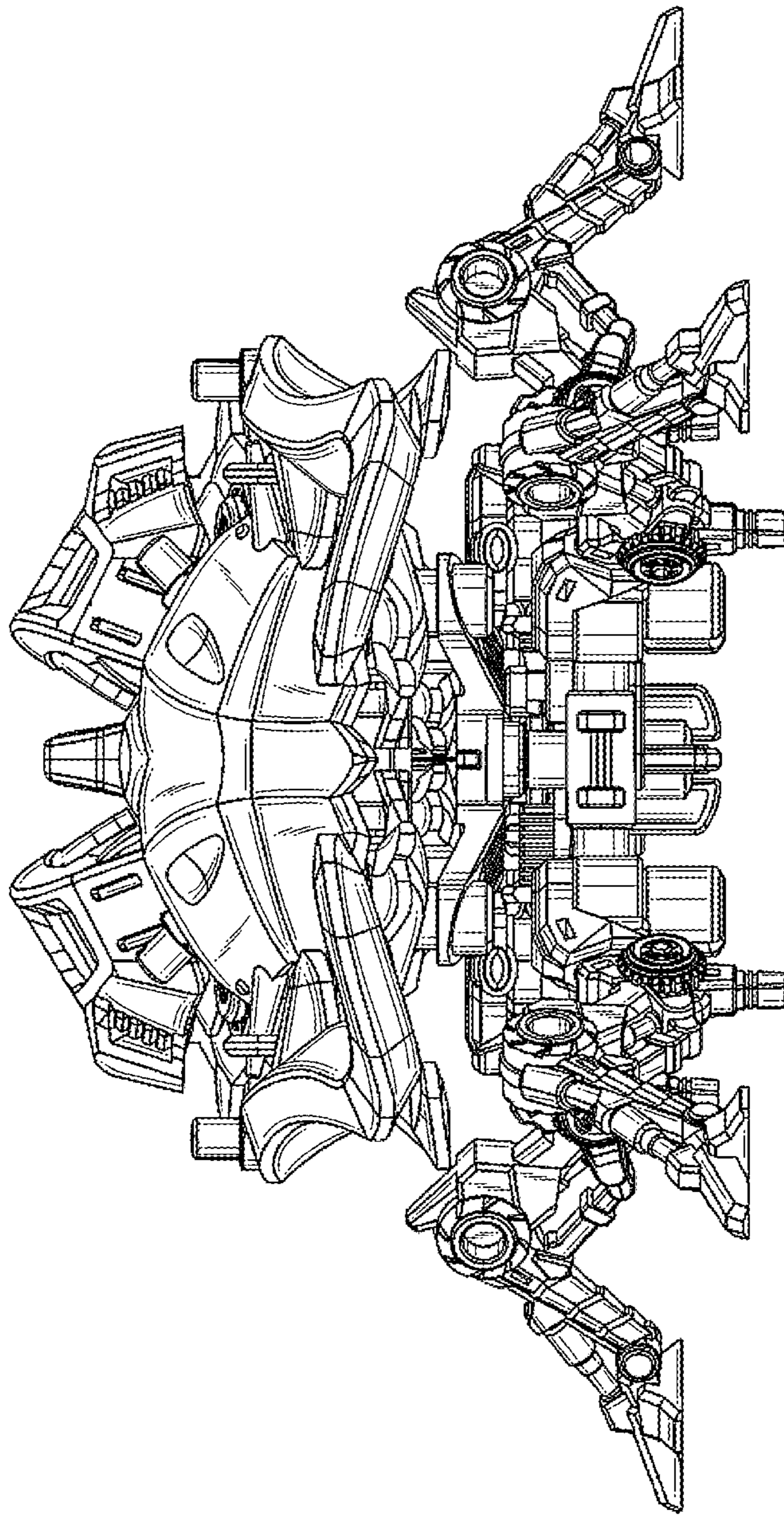


FIG. 3

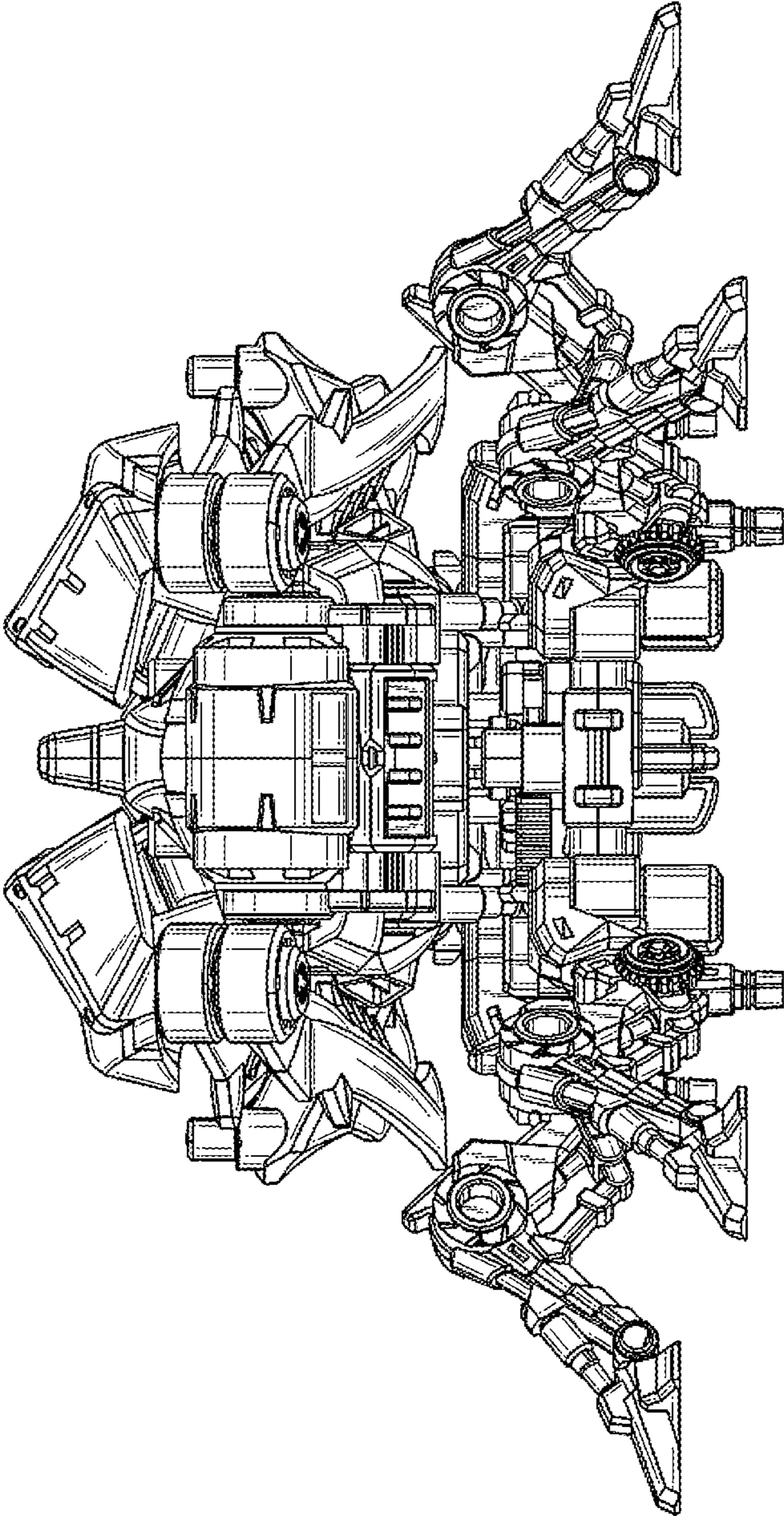


FIG. 4

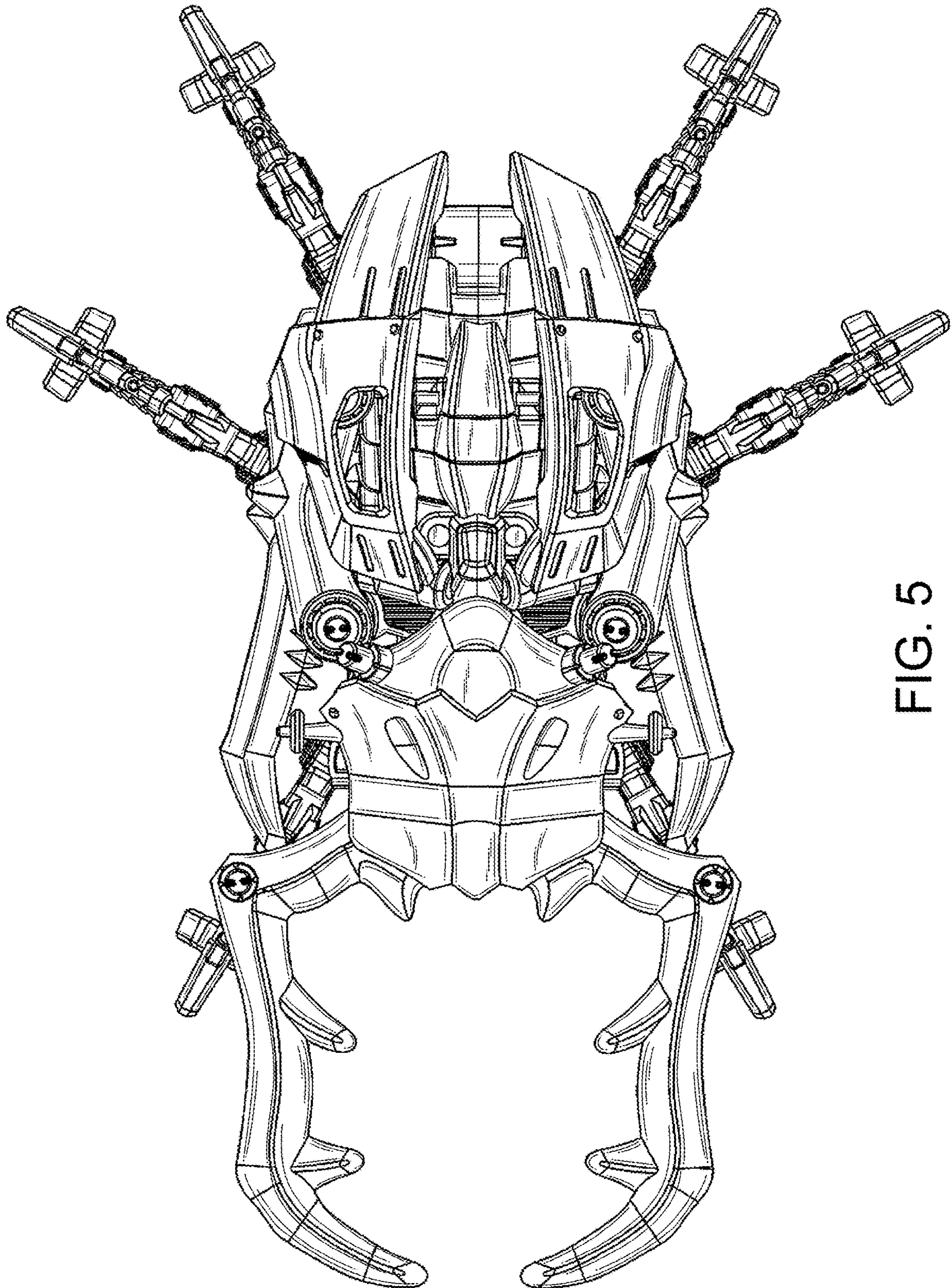


FIG. 5

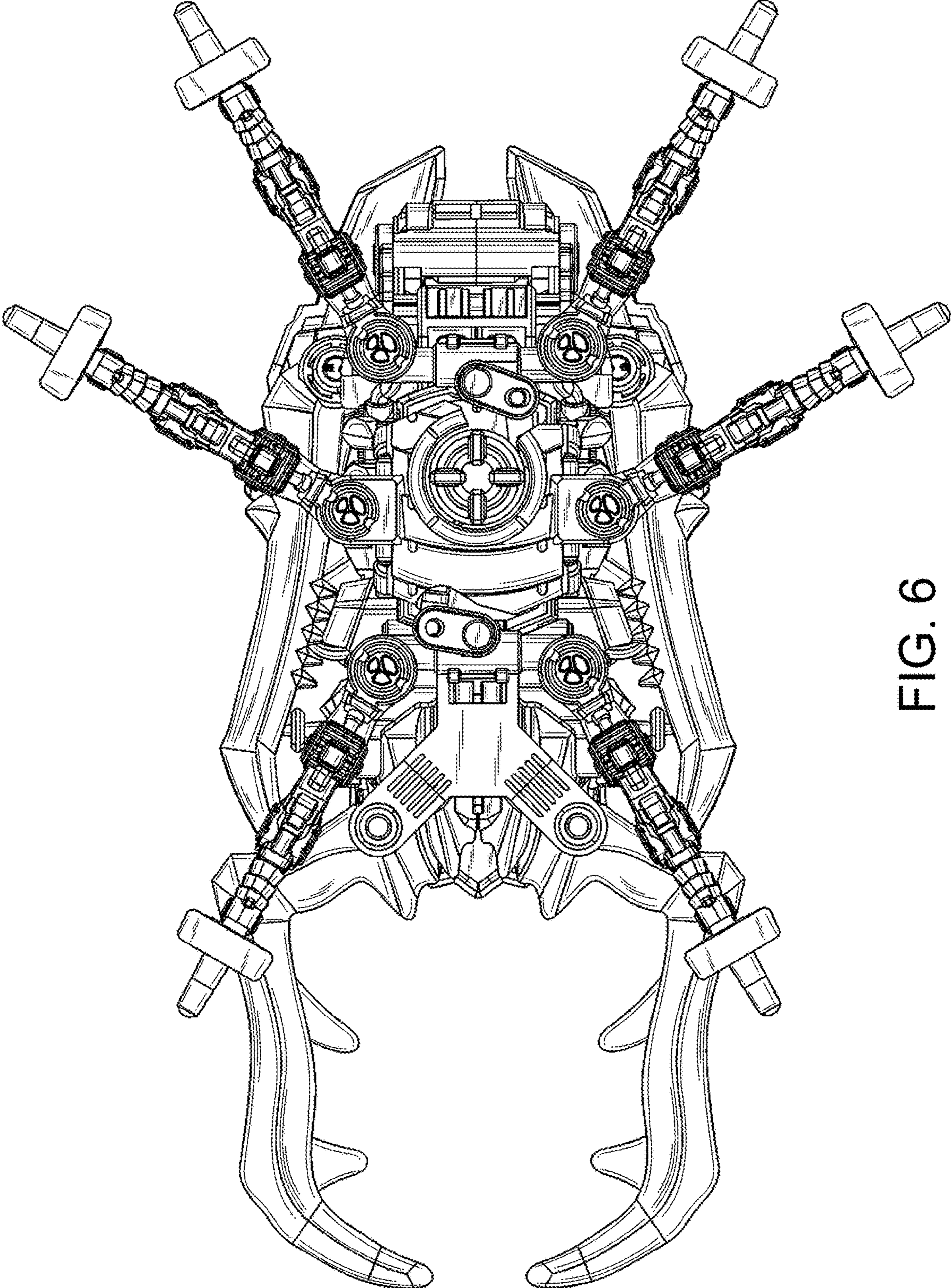


FIG. 6

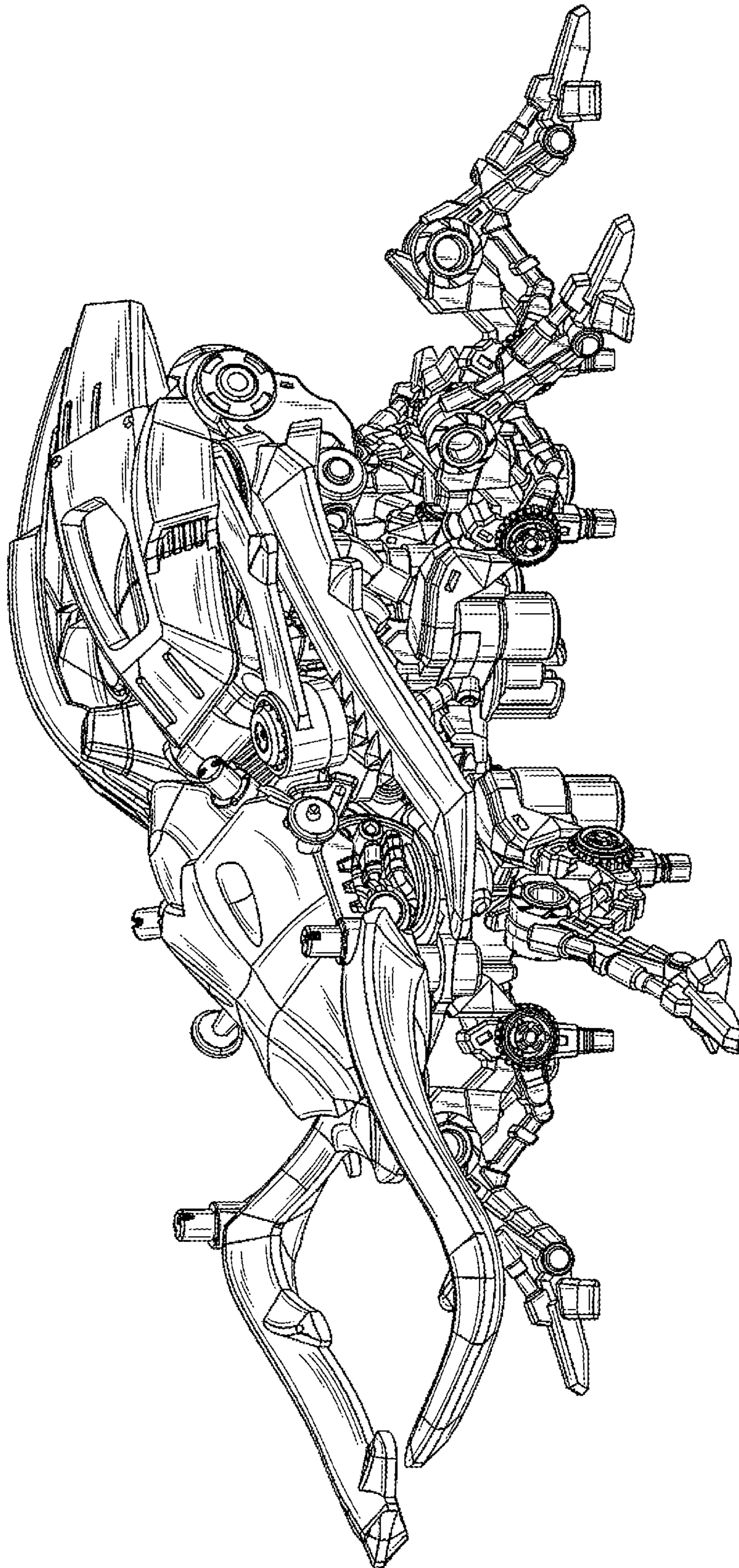


FIG. 7

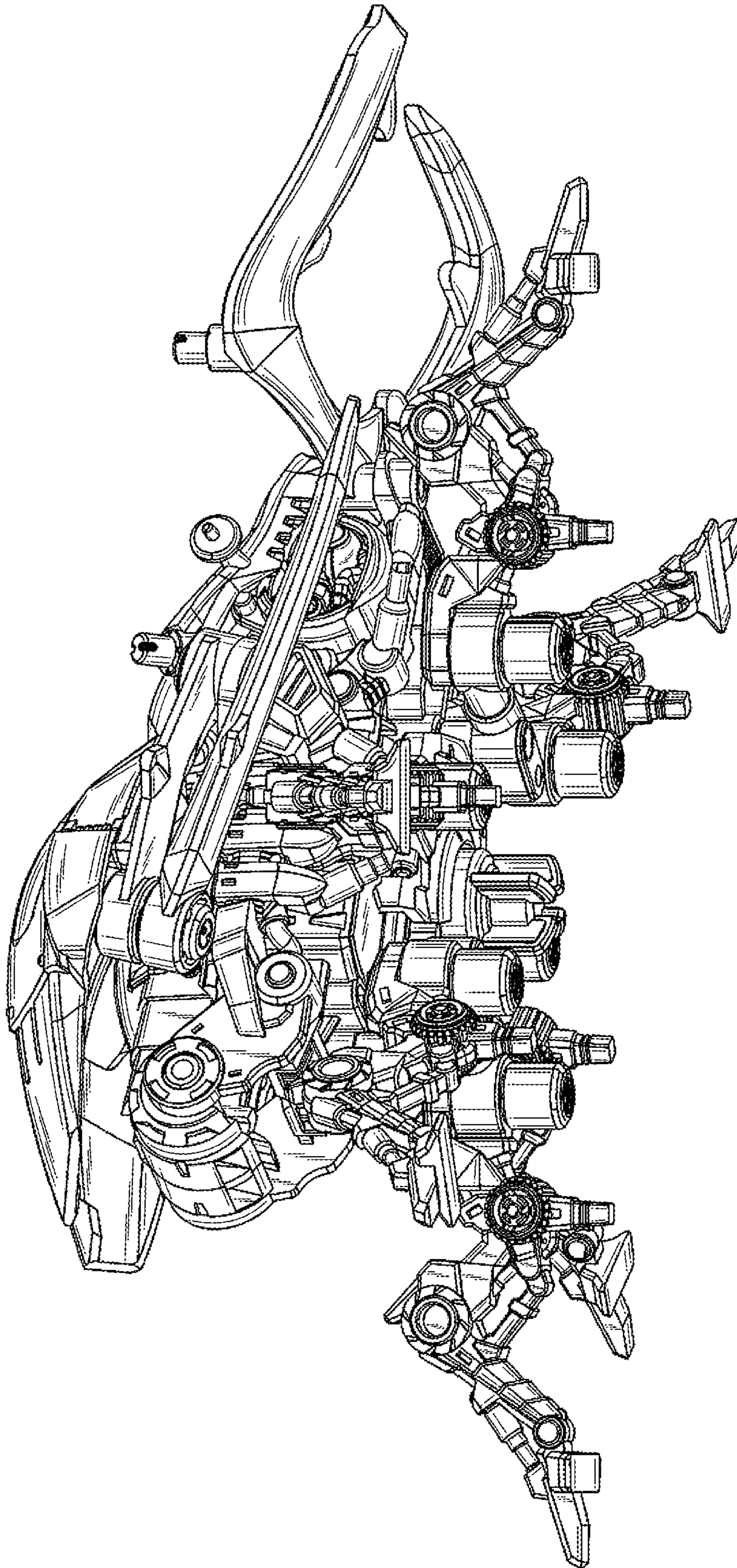


FIG. 8

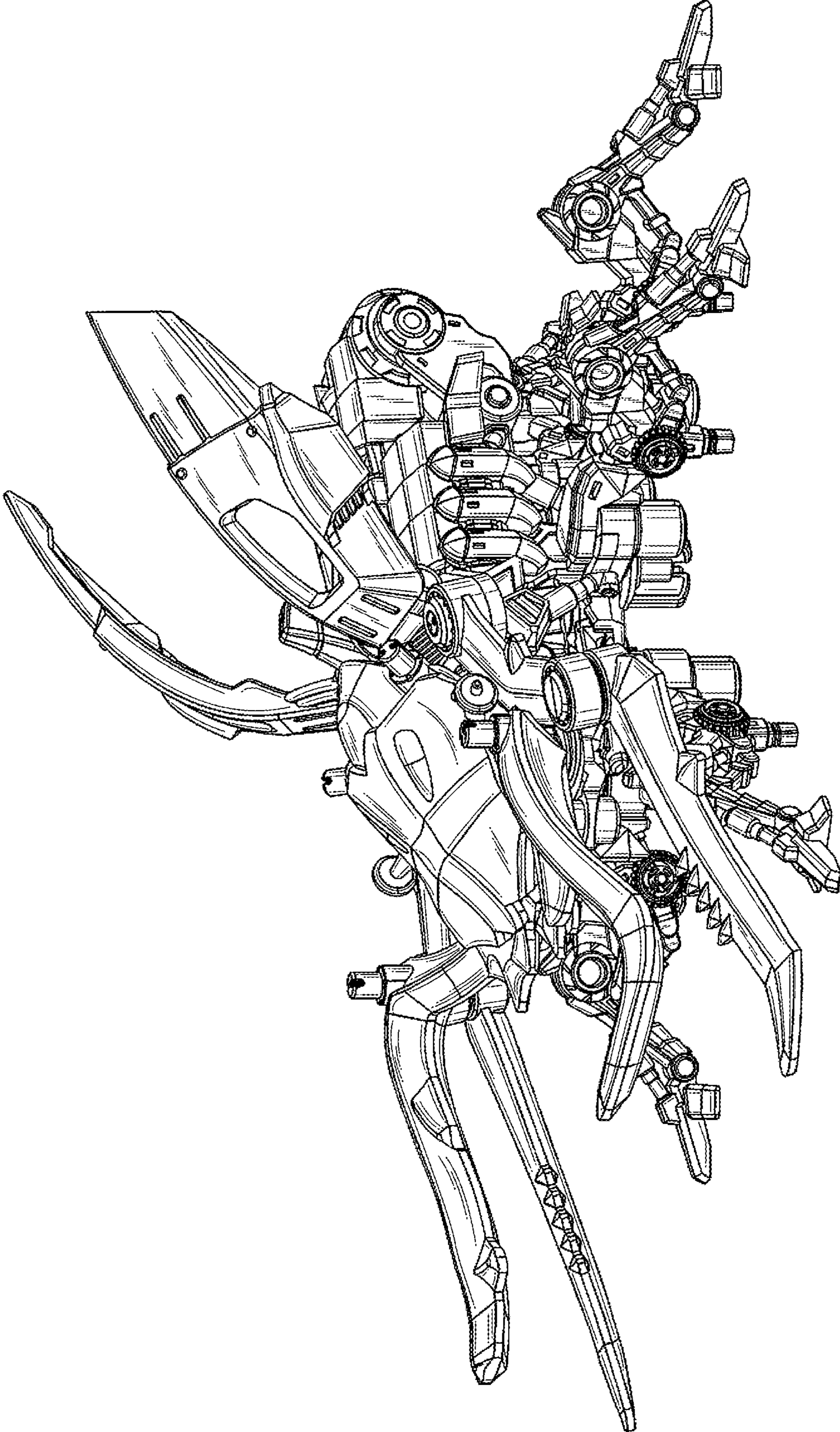


FIG. 9

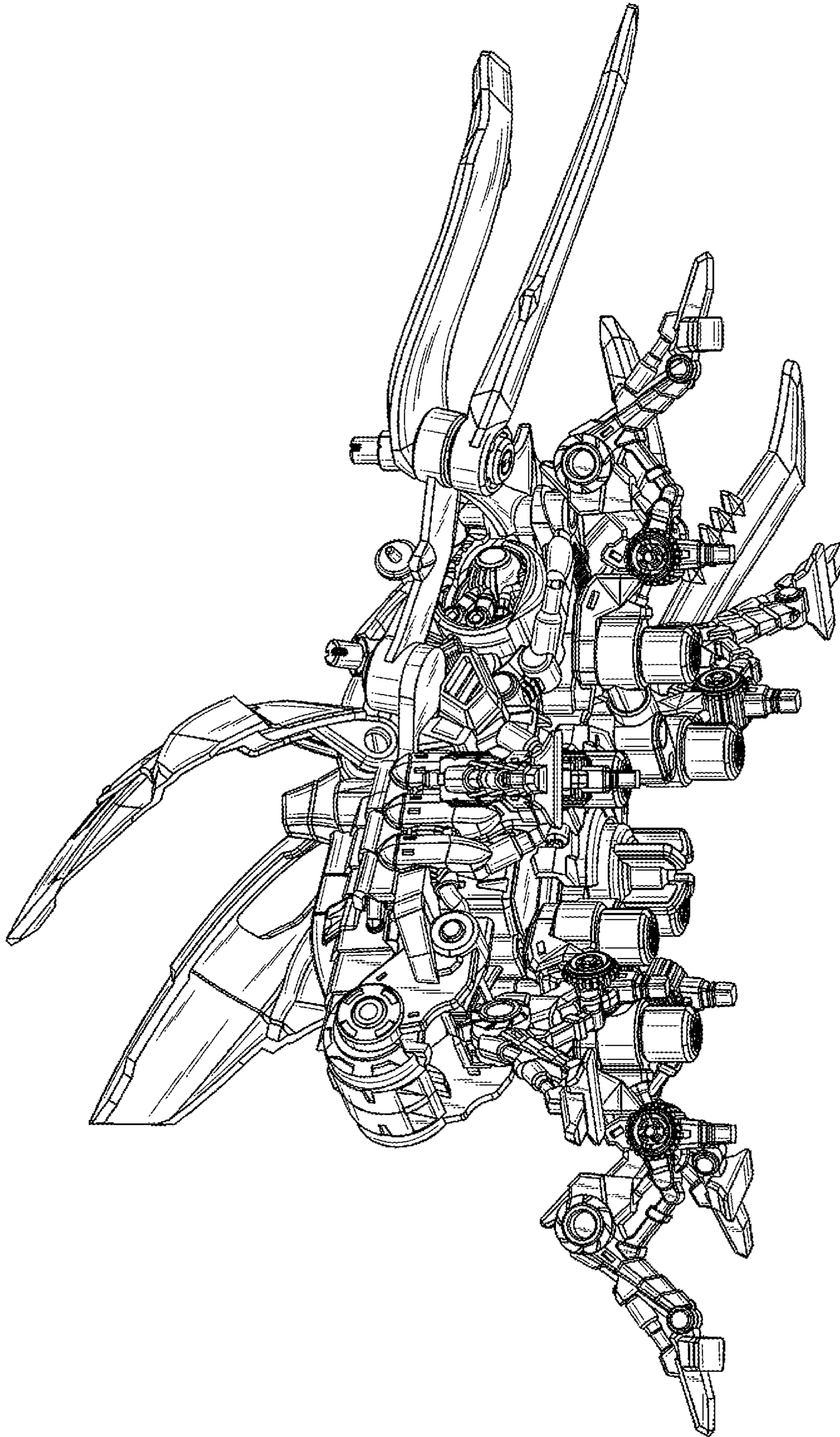


FIG. 10