



US00D869573S

(12) **United States Design Patent**
Ikoma et al.

(10) **Patent No.:** **US D869,573 S**

(45) **Date of Patent:** **** Dec. 10, 2019**

(54) **ROBOT TOY**

(56) **References Cited**

(71) Applicant: **TOMY COMPANY, LTD.**, Tokyo (JP)

U.S. PATENT DOCUMENTS

(72) Inventors: **Akiko Ikoma**, Tokyo (JP); **Shu Katayama**, Tokyo (JP); **Mitsutoshi Tokuyama**, Tokyo (JP); **Shigeru Kanauchi**, Tokyo (JP); **Masashi Katahira**, Tokyo (JP)

D286,901 S	*	11/1986	Ohno	D21/615
D287,261 S	*	12/1986	Matsuda	D21/584
D478,362 S	*	8/2003	Nakase	D21/615
D481,081 S	*	10/2003	Okutsu	D21/615
D484,196 S	*	12/2003	Nakase	D21/615
D507,310 S	*	7/2005	Nakase	D21/578
D510,963 S	*	10/2005	Nakase	D21/578
D785,099 S	*	4/2017	Morales	D21/615

(73) Assignee: **TOMY COMPANY, LTD.**, Tokyo (JP)

* cited by examiner

(**) Term: **15 Years**

Primary Examiner — Sandra L Morris

(21) Appl. No.: **29/658,874**

(74) *Attorney, Agent, or Firm* — Oliff PLC

(22) Filed: **Aug. 3, 2018**

(57) **CLAIM**

(30) **Foreign Application Priority Data**

The ornamental design for a robot toy, as shown and described.

Feb. 19, 2018 (JP) 2018-003266

DESCRIPTION

(51) **LOC (12) Cl.** **21-01**

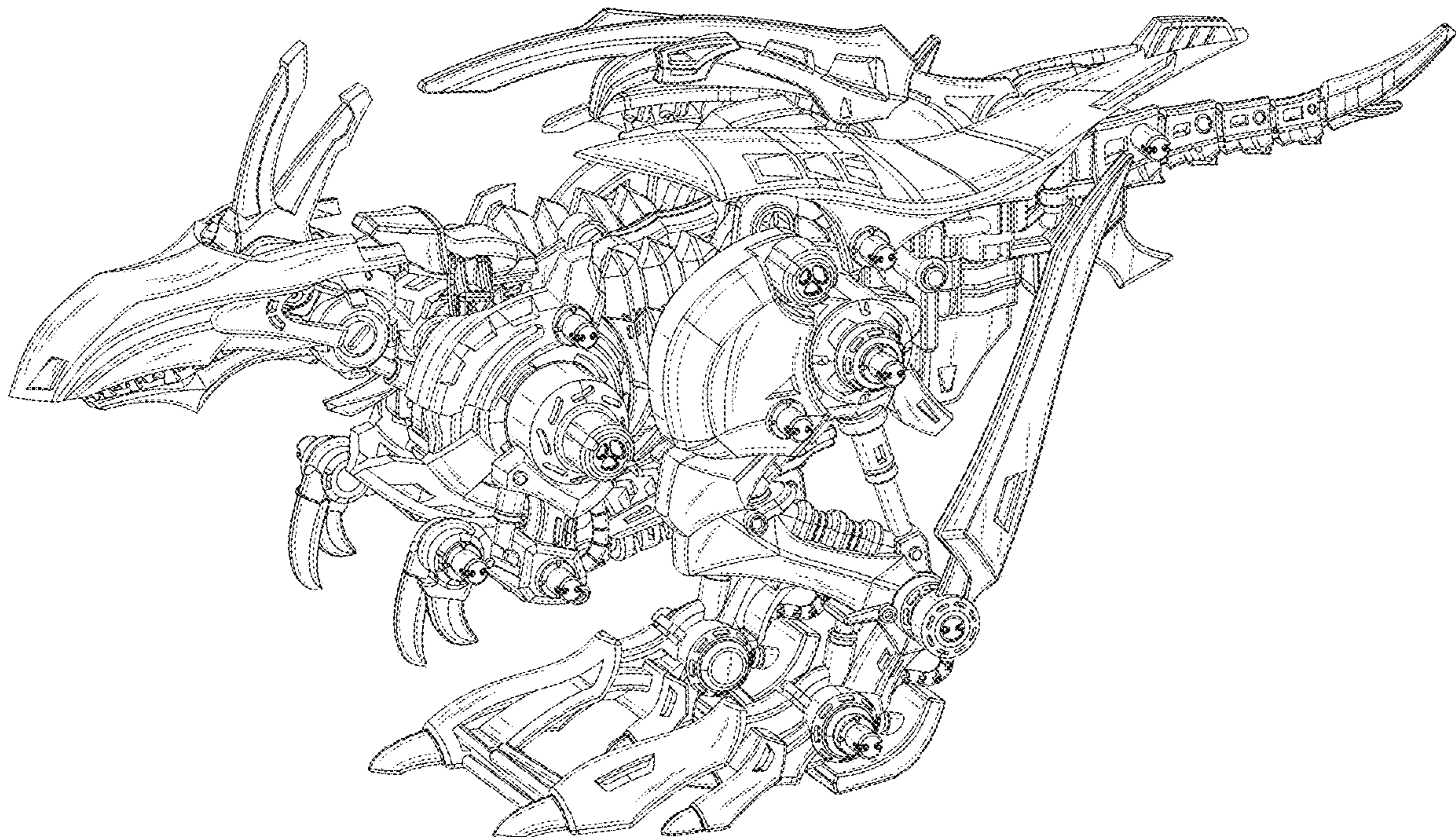
(52) **U.S. Cl.**
USPC **D21/615; D21/578**

(58) **Field of Classification Search**
USPC D6/598; D11/158, 162; D21/576-596, D21/604-605, 611-613, 615, 617-618, D21/621; 446/99, 268, 368-369, 376, 446/428, 487; 180/8.6; D30/160
CPC ... A63H 3/00; A63H 3/02; A63H 3/04; A63H 3/16; A63H 3/28; A63H 3/36; A63H 7/06; A63H 11/00; A63H 11/10; A63H 11/20; A63H 11/205; A63H 13/00; A63H 33/04; A63H 33/08; A63H 33/042; A63H 23/10

FIG. 1 is a right-side elevational view of the robot toy; FIG. 2 is a left-side elevational view thereof; FIG. 3 is a front elevational view thereof; FIG. 4 is a rear elevational view thereof; FIG. 5 is a top plan view thereof; FIG. 6 is a bottom plan view thereof; FIG. 7 is a front, right-side, top perspective view thereof; FIG. 8 is a rear, left-side, bottom perspective view thereof; FIG. 9 is a front, right-side, top perspective view of an alternate configuration thereof; and, FIG. 10 is a rear, left-side, bottom perspective view of the alternate configuration.

See application file for complete search history.

1 Claim, 10 Drawing Sheets



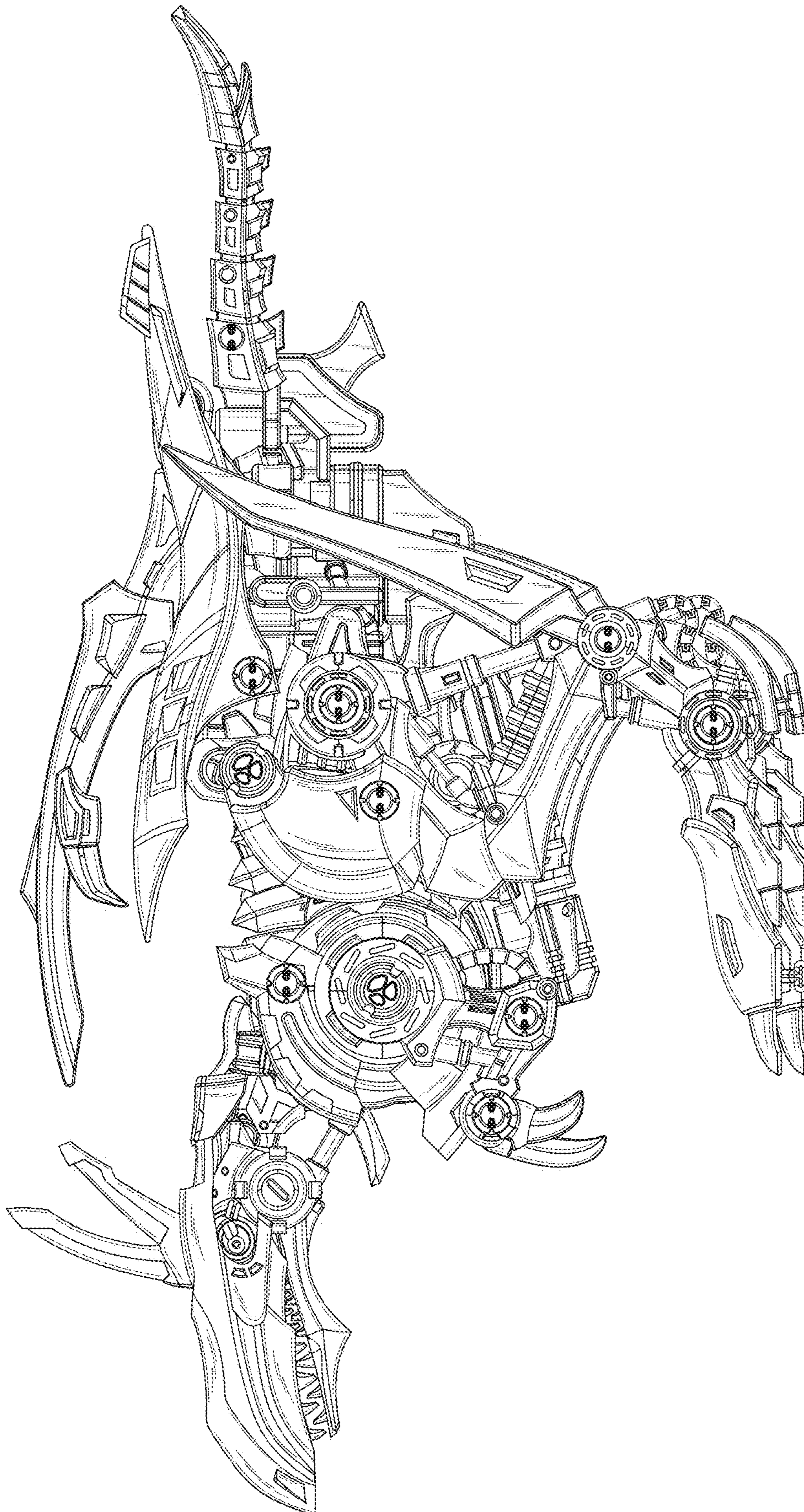


FIG. 1

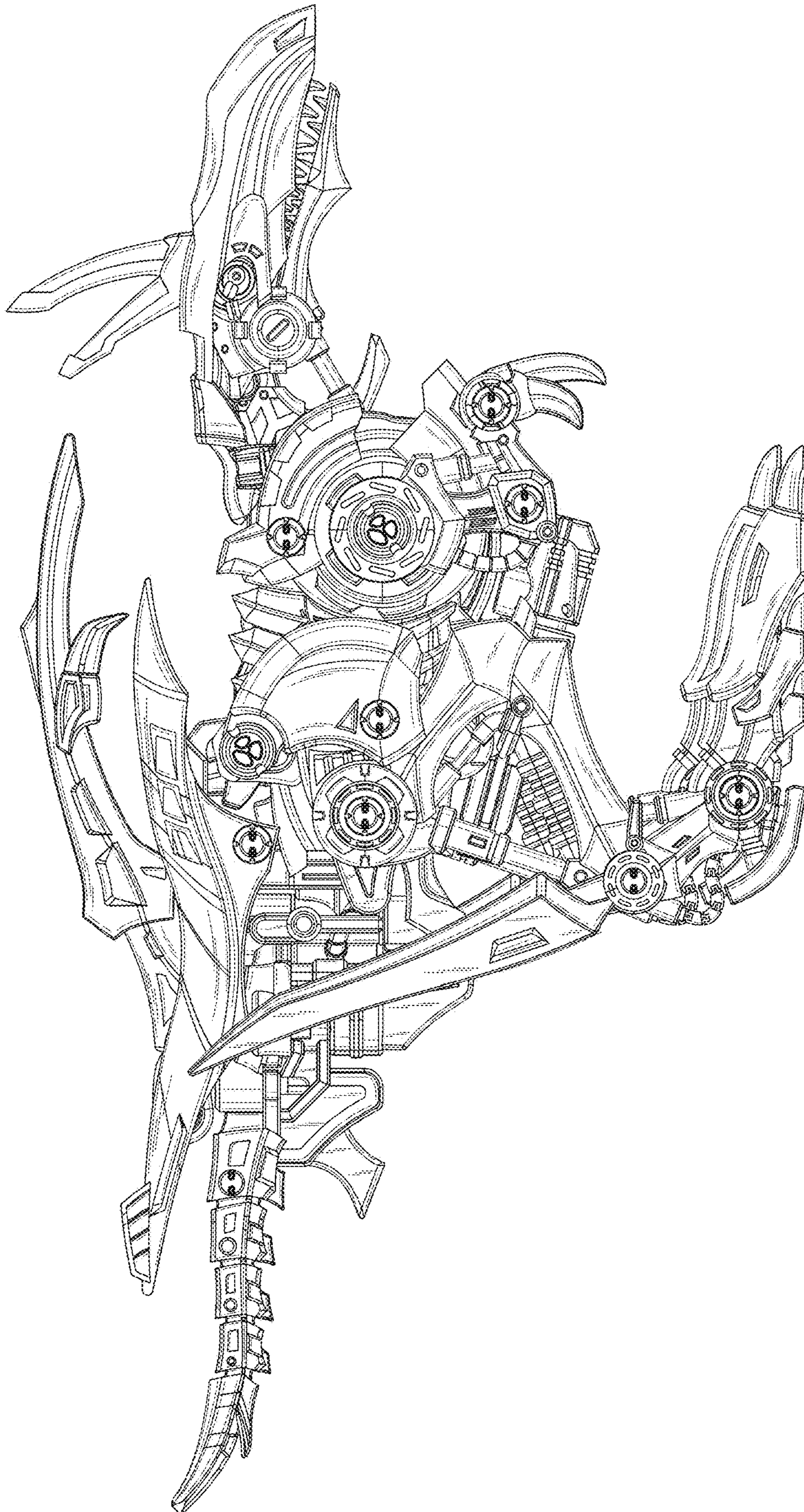


FIG. 2

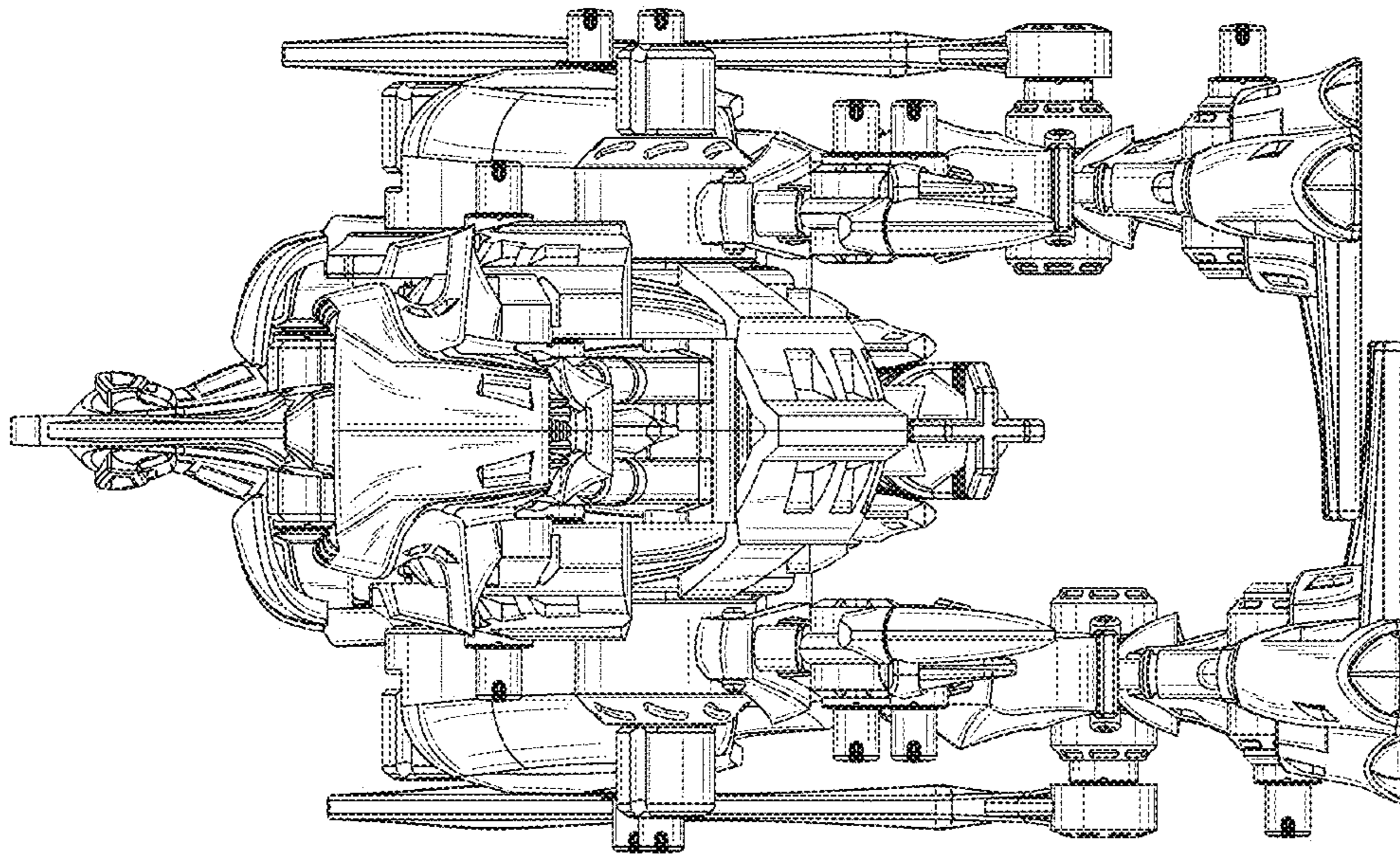


FIG. 3

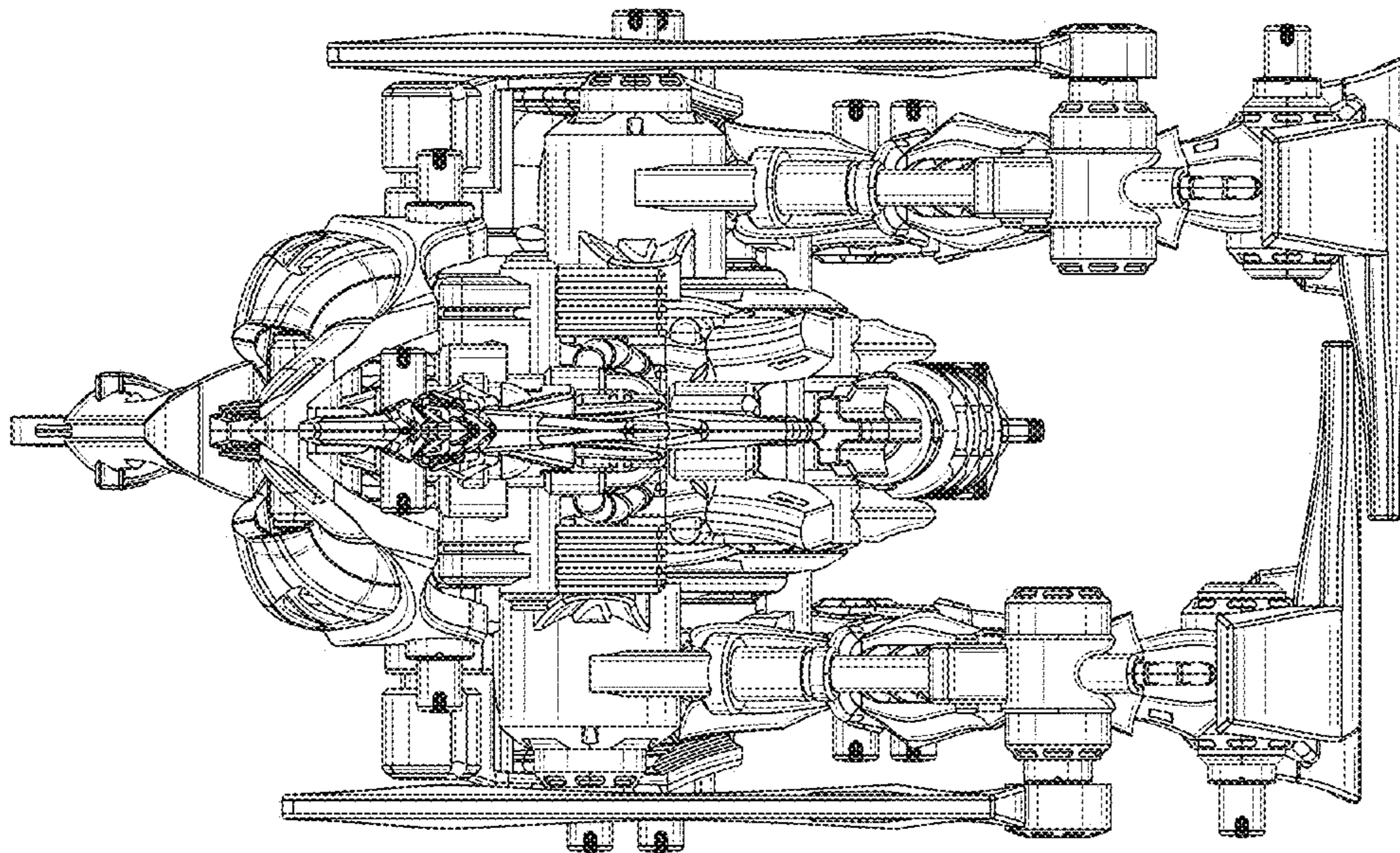


FIG. 4

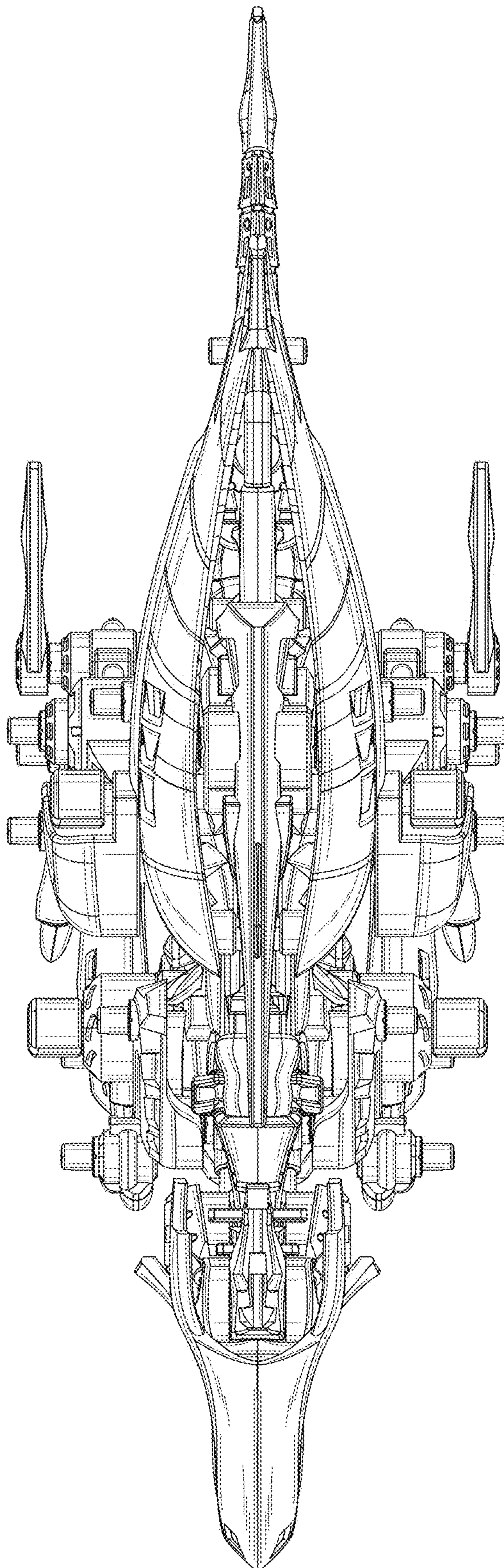


FIG. 5

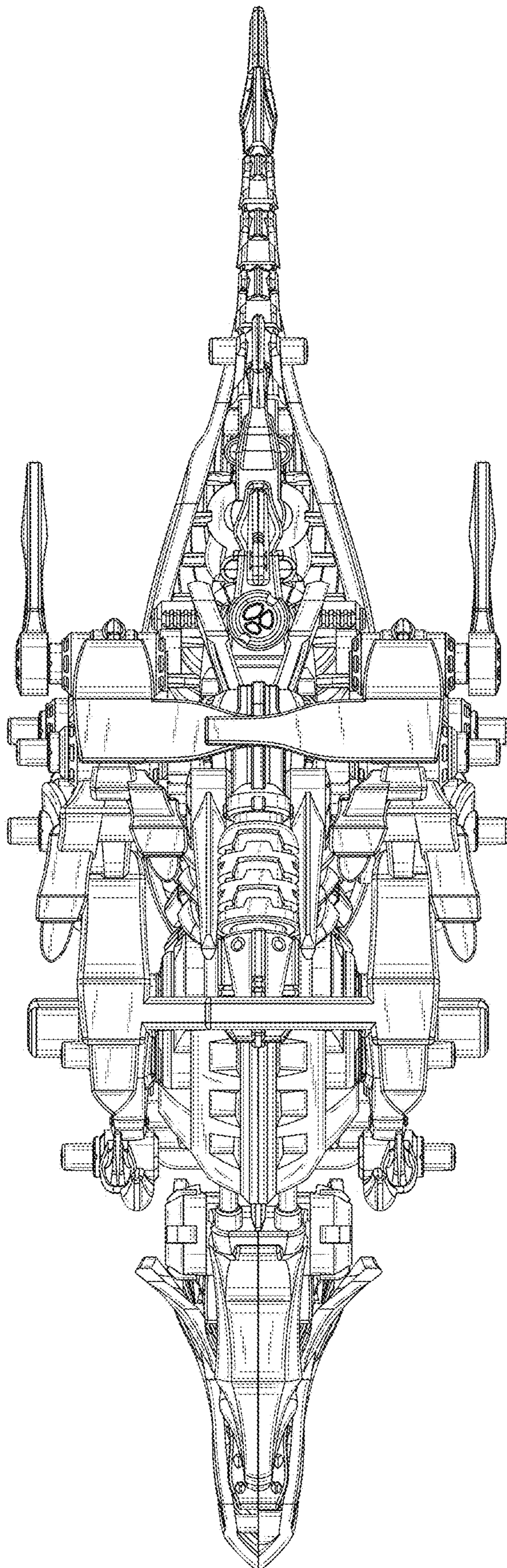


FIG. 6

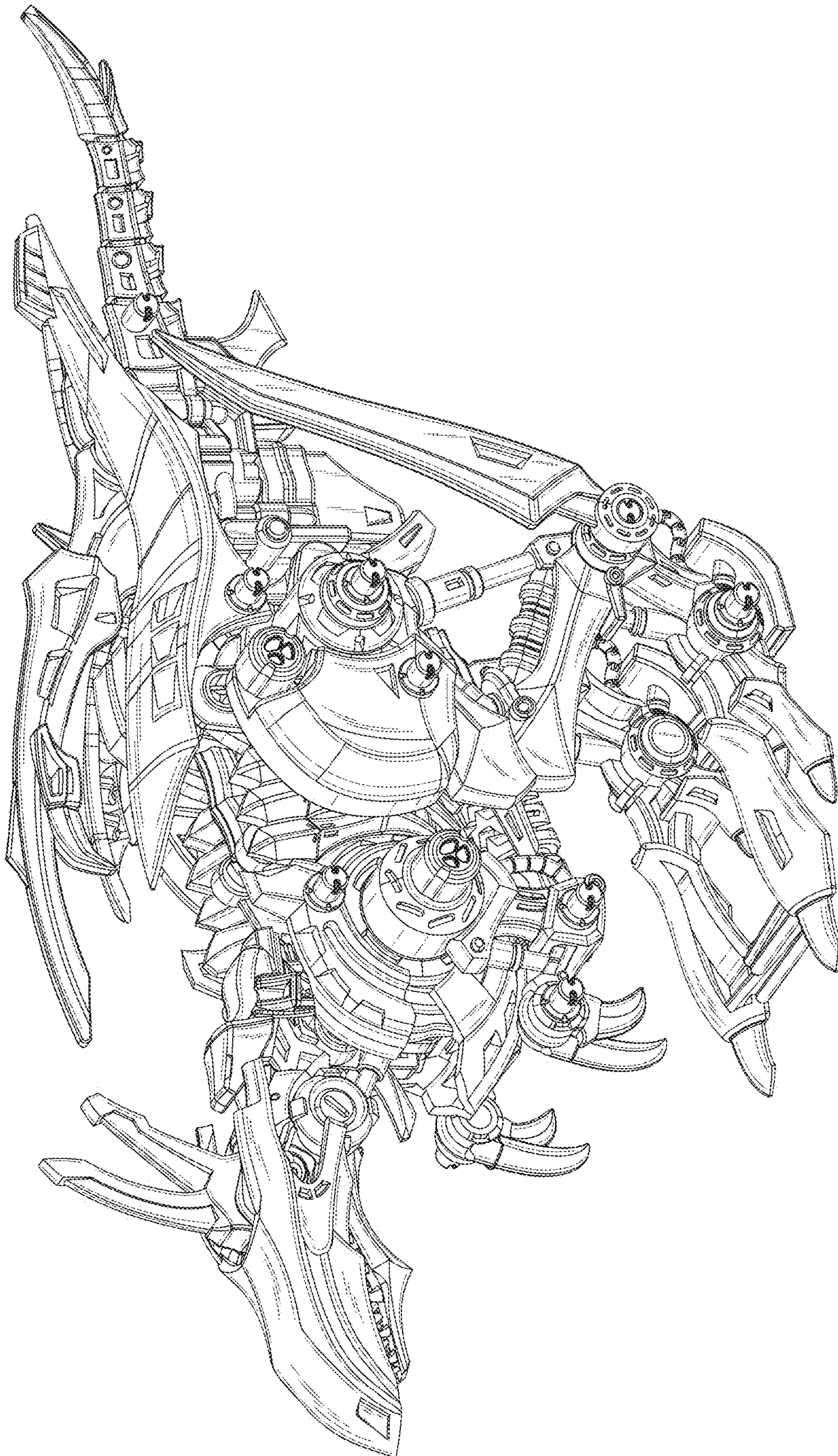


FIG. 7

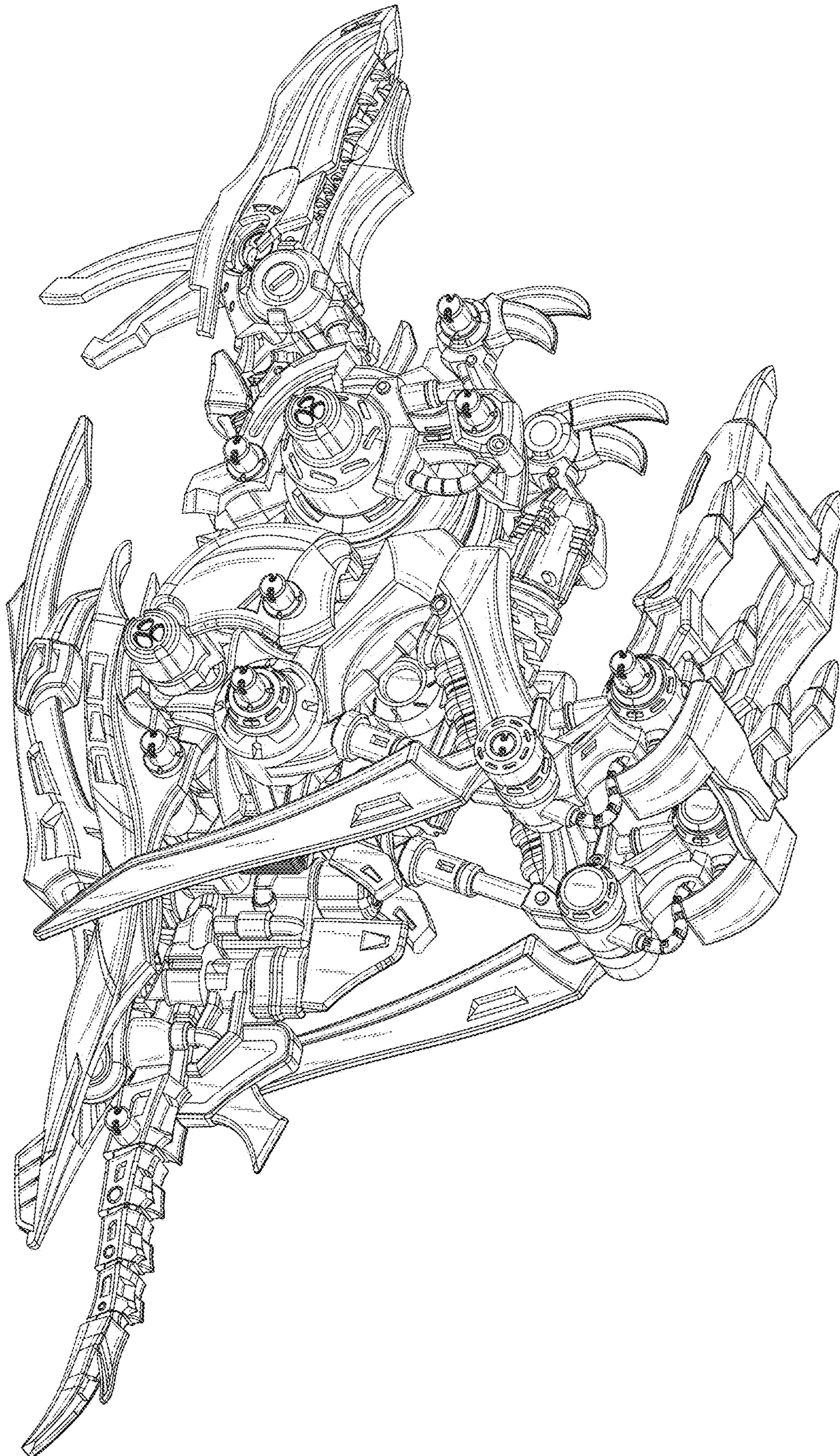


FIG. 8

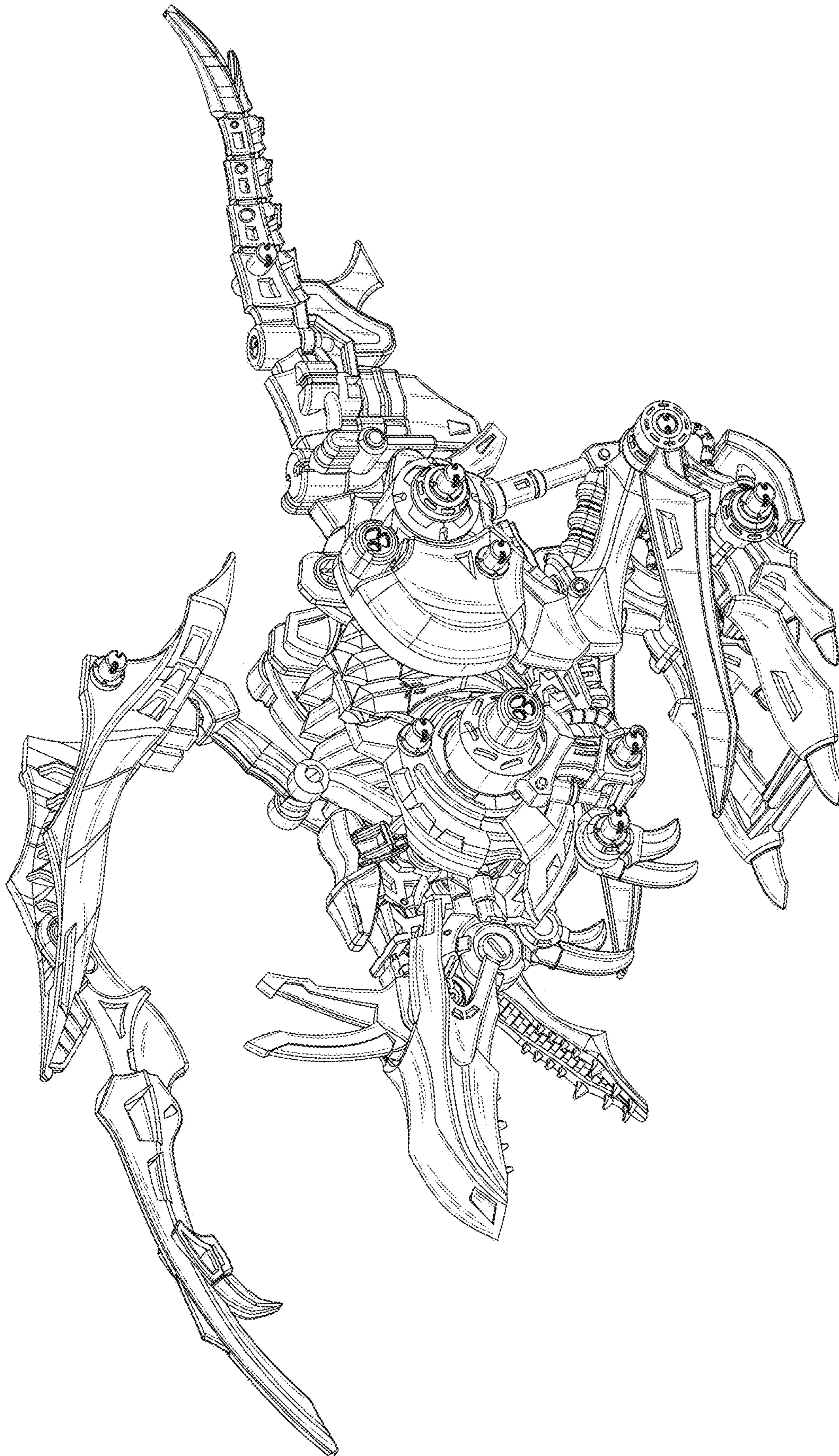


FIG. 9

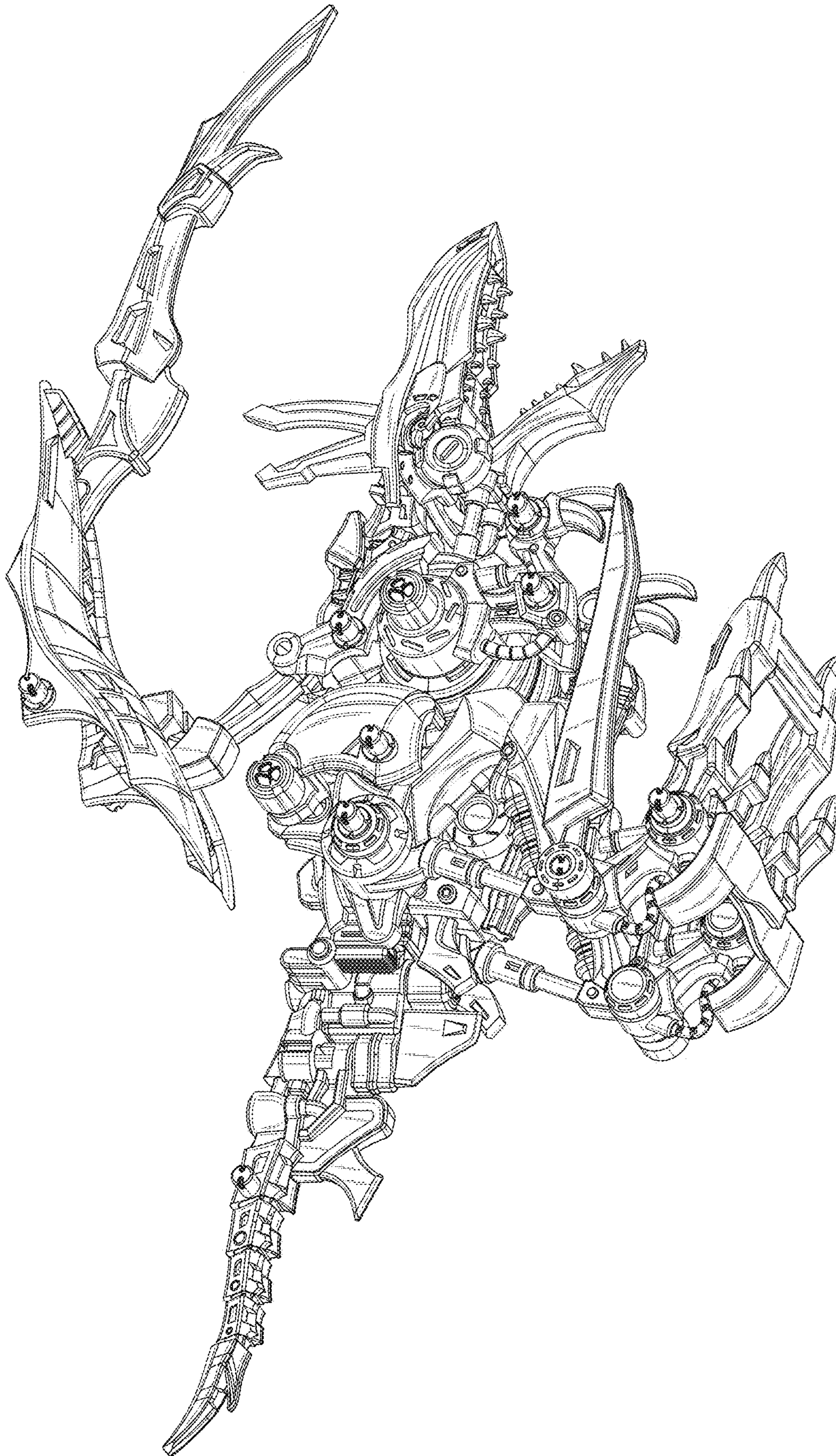


FIG. 10