

US00D869572S

(12) **United States Design Patent**
Ikoma et al.

(10) **Patent No.:** **US D869,572 S**
(45) **Date of Patent:** **** Dec. 10, 2019**

(54) **ROBOT TOY**
(71) Applicant: **TOMY COMPANY, LTD.**, Tokyo (JP)
(72) Inventors: **Akiko Ikoma**, Tokyo (JP); **Shu Katayama**, Tokyo (JP); **Mitsutoshi Tokuyama**, Tokyo (JP); **Tomoyuki Tanaka**, Tokyo (JP); **Shigeru Kanauchi**, Tokyo (JP)
(73) Assignee: **TOMY COMPANY, LTD.**, Tokyo (JP)
(**) Term: **15 Years**

D251,393 S * 3/1979 O'Linger D21/598
D307,776 S * 5/1990 Shinohara A63H 5/00
D21/584
D315,753 S * 3/1991 Stephensen D21/598
D469,495 S * 1/2003 Greenberg D21/598
D479,287 S * 9/2003 Nakase D21/578
6,699,098 B1 * 3/2004 Kau A63H 5/00
446/268
D532,056 S * 11/2006 Boutin D21/598
7,520,793 B2 * 4/2009 Pillai A63H 3/16
446/99
D731,001 S * 6/2015 Phillips A63H 3/36
D21/598

* cited by examiner

(21) Appl. No.: **29/658,474**
(22) Filed: **Jul. 31, 2018**

Primary Examiner — Sandra L Morris
(74) *Attorney, Agent, or Firm* — Oliff PLC

(30) **Foreign Application Priority Data**

Feb. 13, 2018 (JP) 2018-002897

(51) **LOC (12) Cl.** **21-01**
(52) **U.S. Cl.**
USPC **D21/598; D21/578**

(58) **Field of Classification Search**
USPC D6/598; D11/158, 162; D21/576–596,
D21/598, 604–605, 611–613, 615,
D21/617–618, 621; 446/99, 268,
446/368–369, 376, 428, 487; 180/8.6;
D30/160
CPC ... A63H 3/00; A63H 3/02; A63H 3/04; A63H
3/16; A63H 3/28; A63H 3/36; A63H
7/06; A63H 11/00; A63H 11/10; A63H
11/20; A63H 11/205; A63H 13/00; A63H
33/04; A63H 33/08; A63H 33/042; A63H
23/10

See application file for complete search history.

(56) **References Cited**

U.S. PATENT DOCUMENTS

2,815,605 A * 12/1957 Connell A63H 3/36
446/368
D210,388 S * 3/1968 Gillibrand A63H 3/16
D21/598

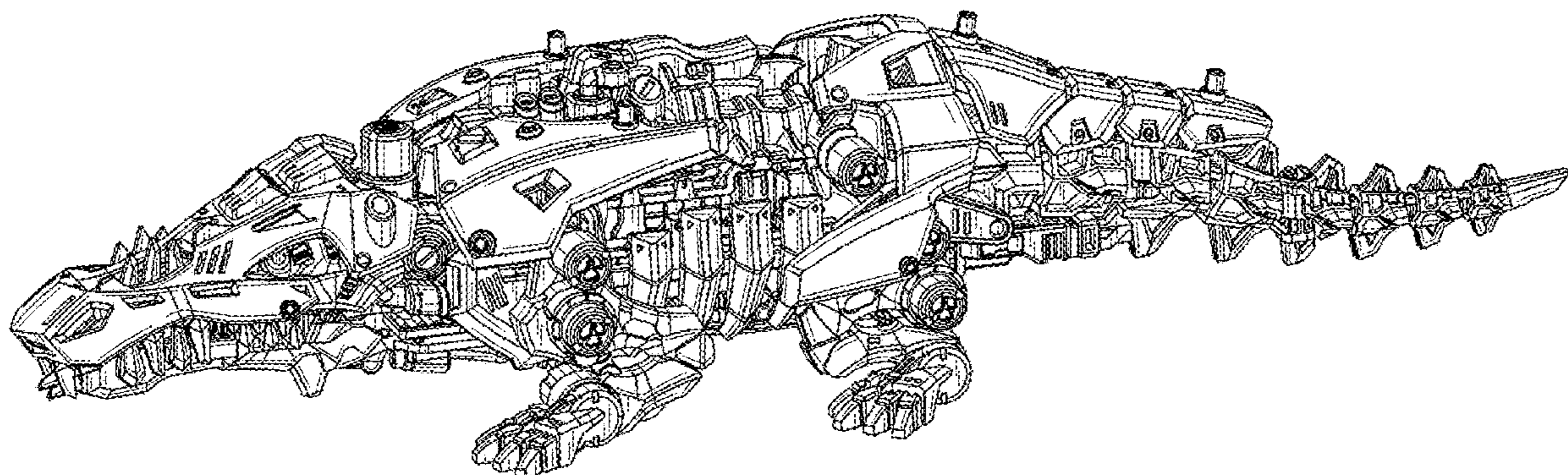
(57) **CLAIM**

The ornamental design for a robot toy, as shown and described.

DESCRIPTION

FIG. 1 is a right-side elevational view of the robot toy;
FIG. 2 is a left-side elevational view thereof;
FIG. 3 is a front elevational view thereof;
FIG. 4 is a rear elevational view thereof;
FIG. 5 is a top plan view thereof;
FIG. 6 is a bottom plan view thereof;
FIG. 7 is a front, right-side, top perspective view thereof;
FIG. 8 is a rear, left-side, bottom perspective view thereof;
FIG. 9 is a front, right-side, top perspective view of an alternate configuration thereof; and,
FIG. 10 is a rear, left-side, bottom perspective view of the alternate configuration.

1 Claim, 9 Drawing Sheets



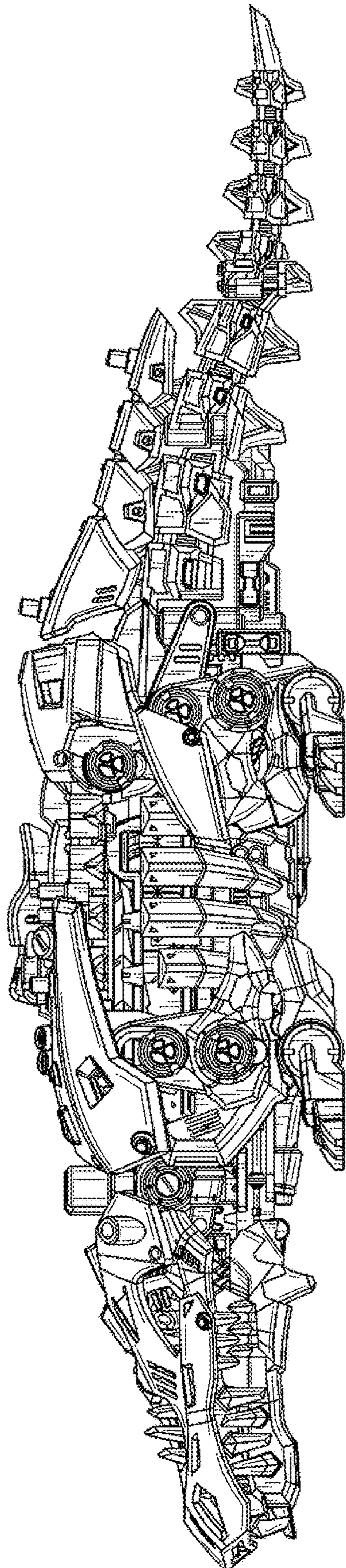


FIG. 1

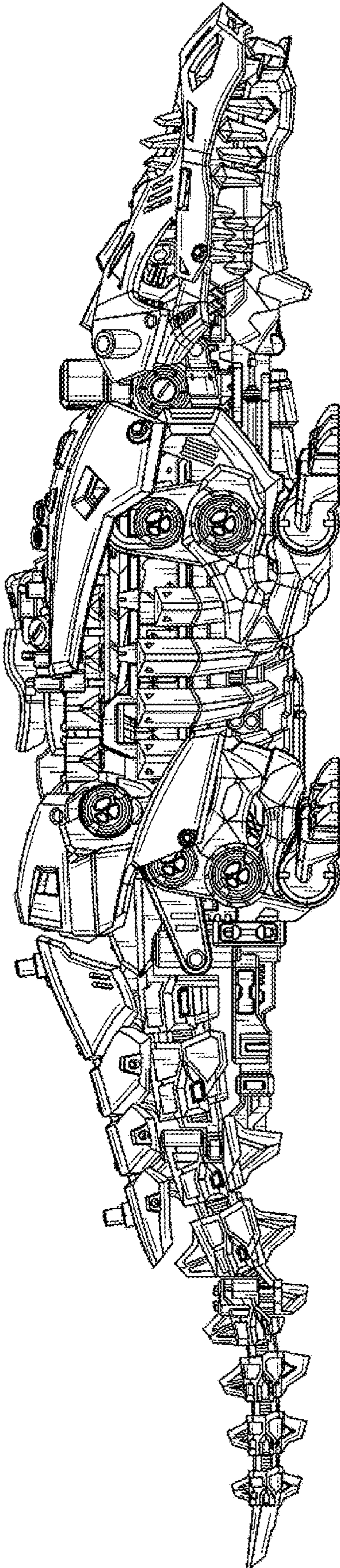


FIG. 2

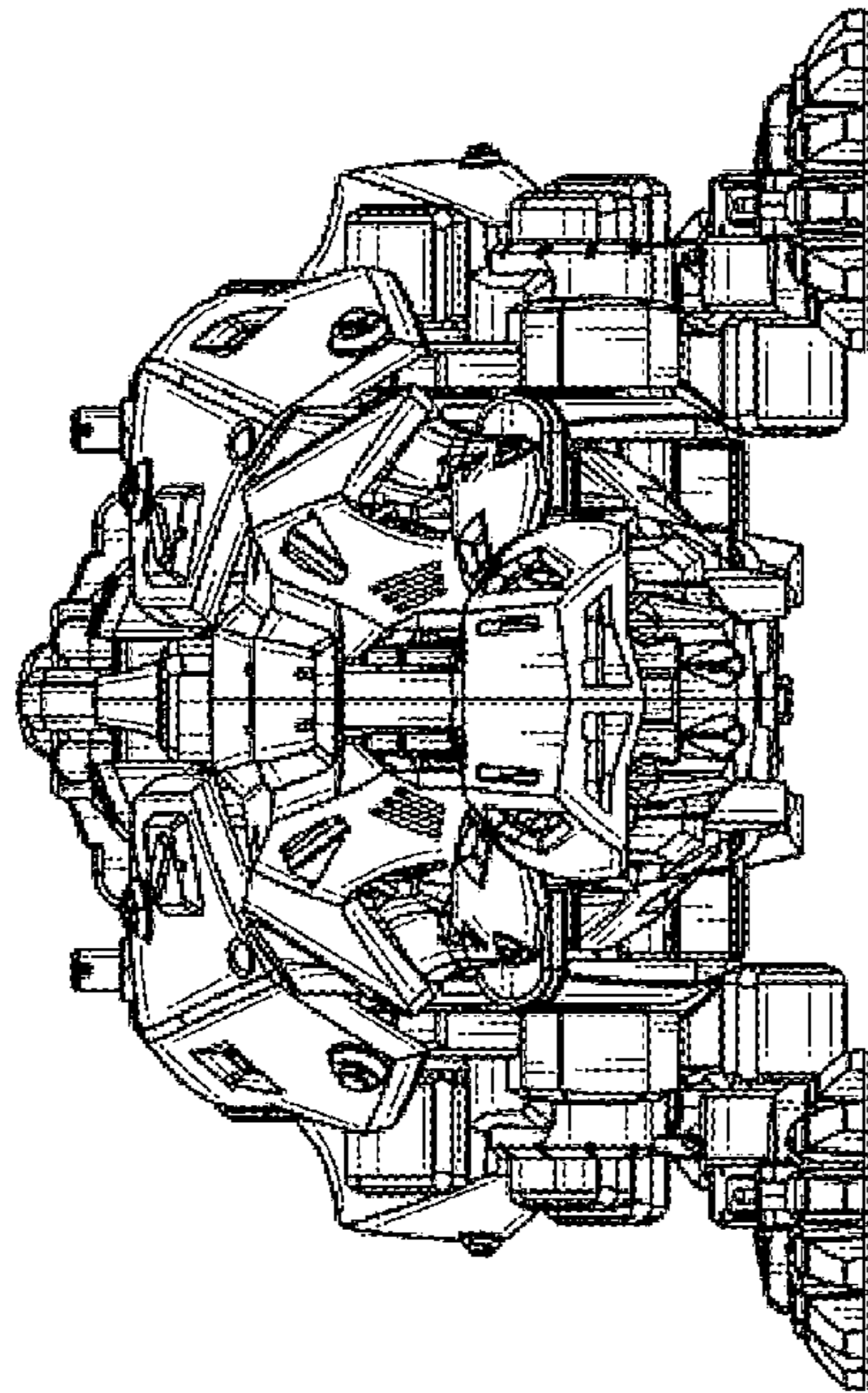
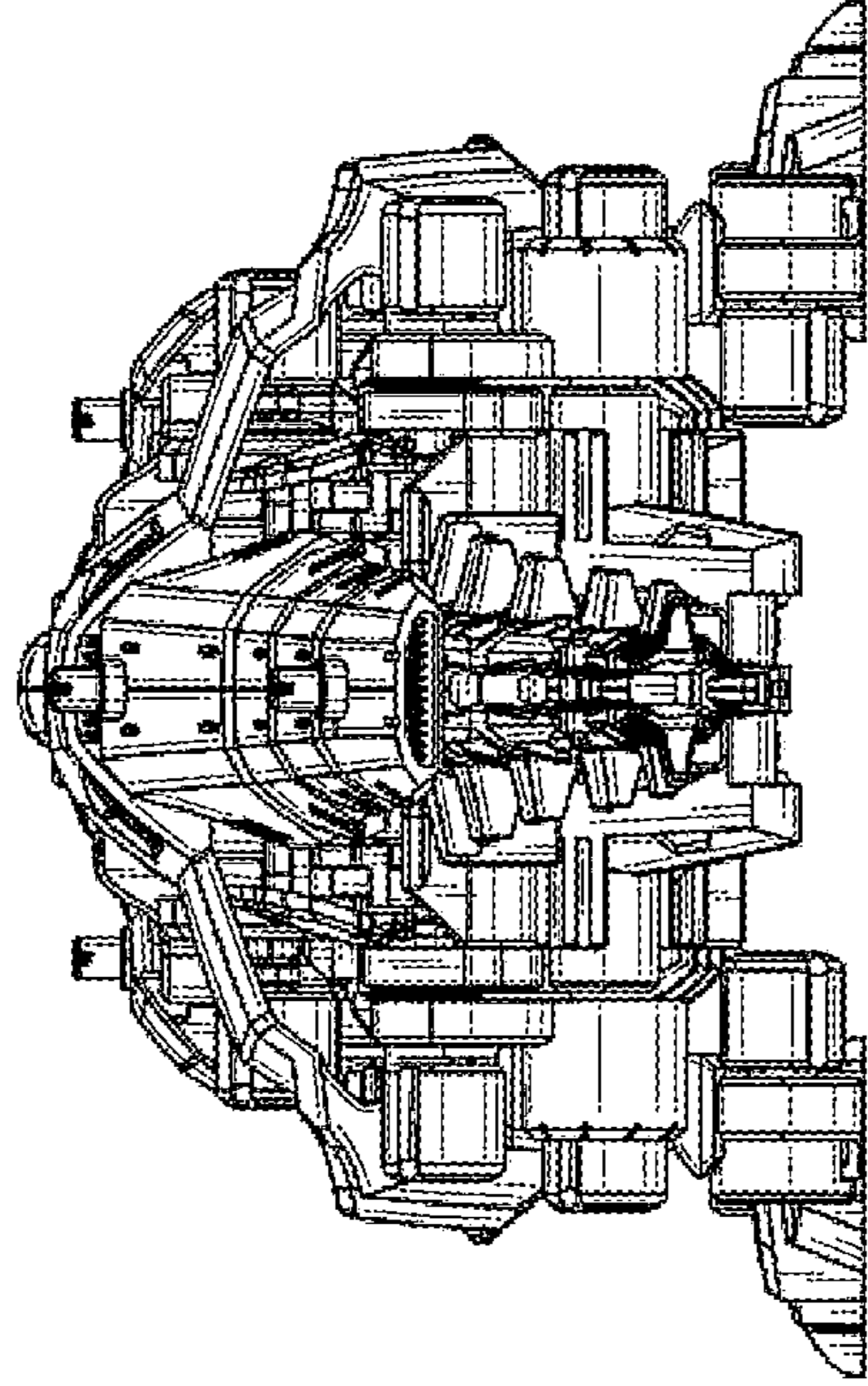


FIG. 4

FIG. 3

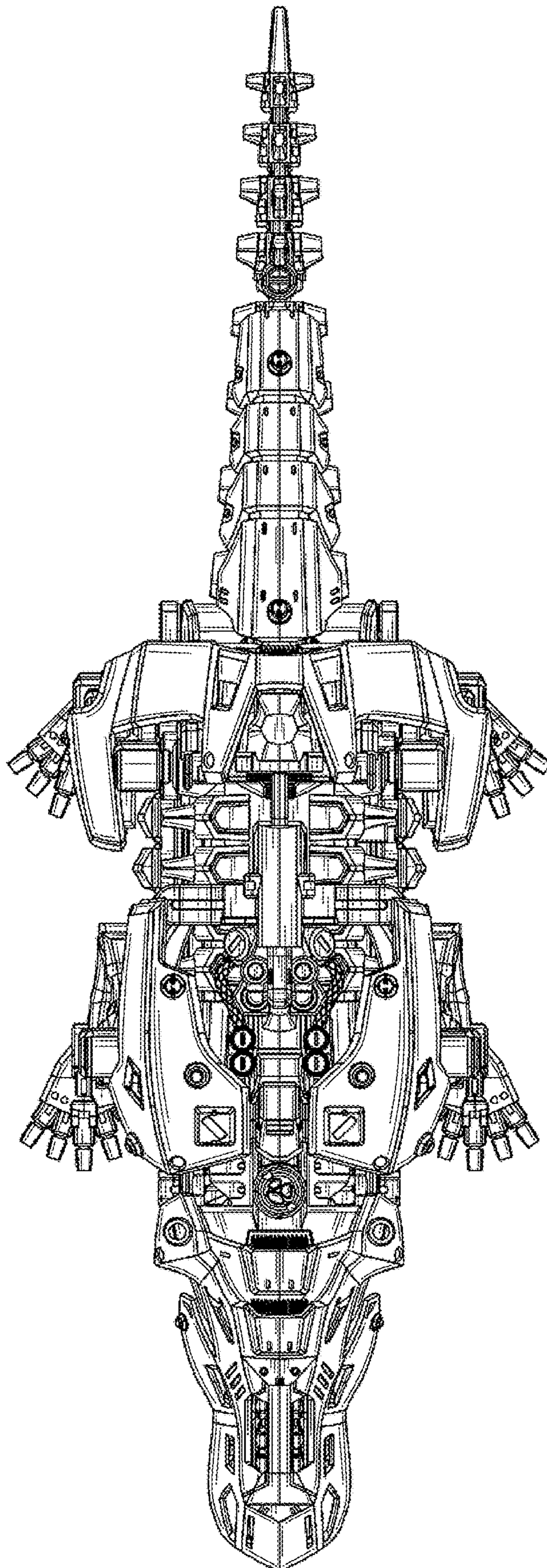


FIG. 5

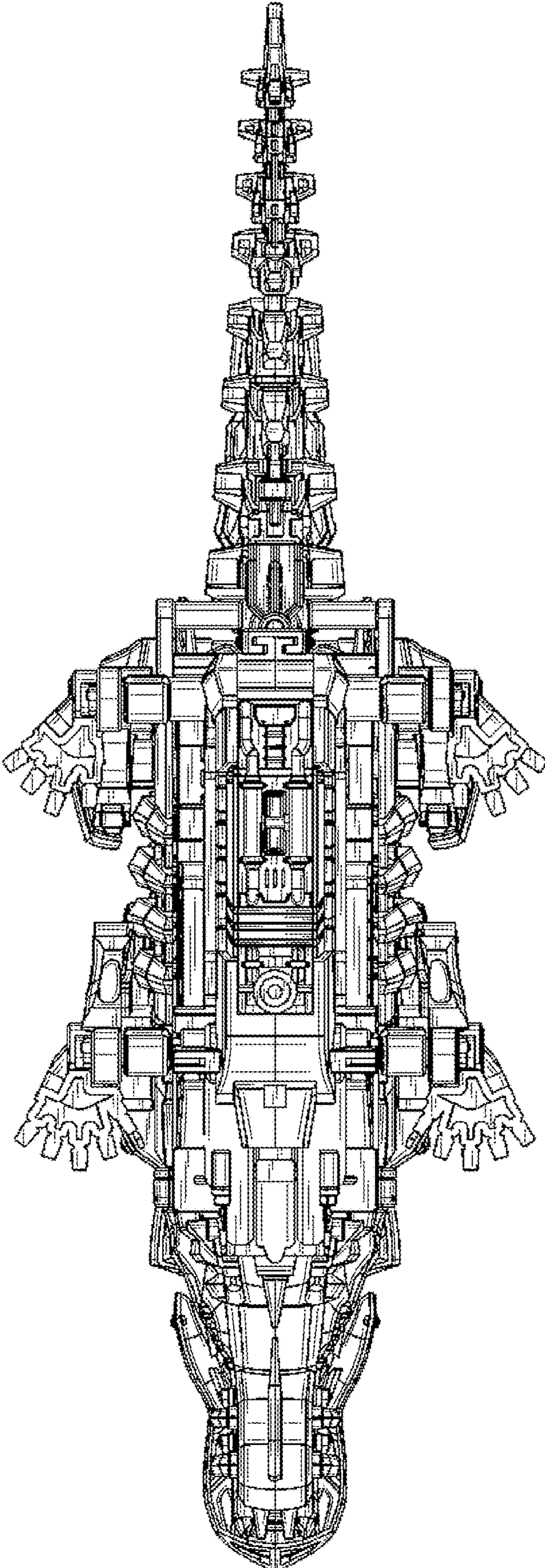


FIG. 6

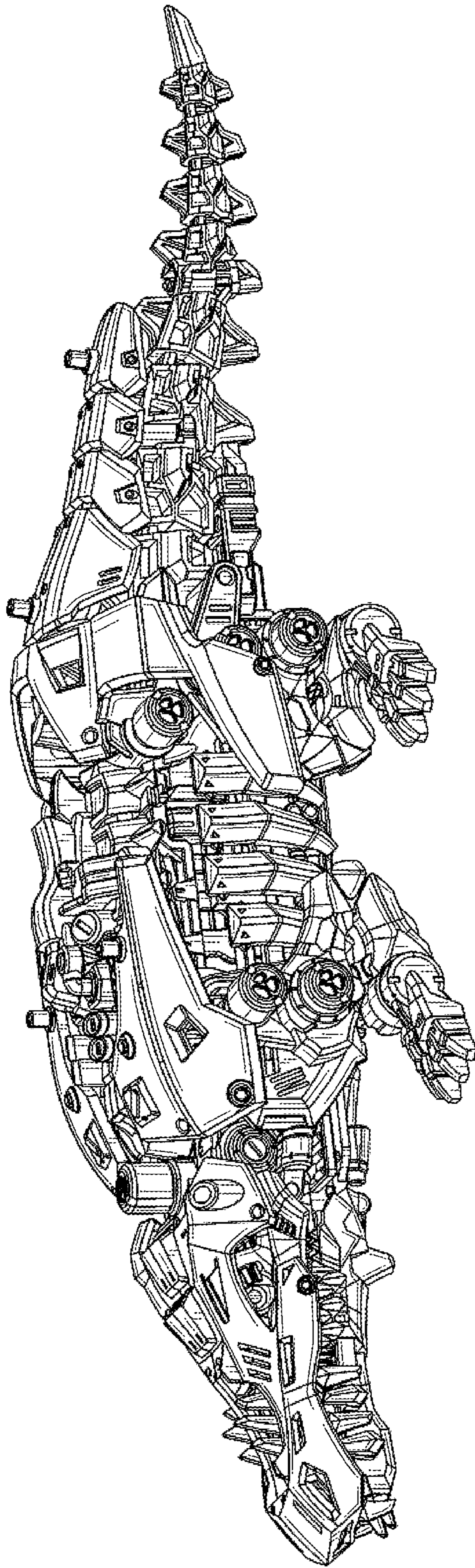


FIG. 7

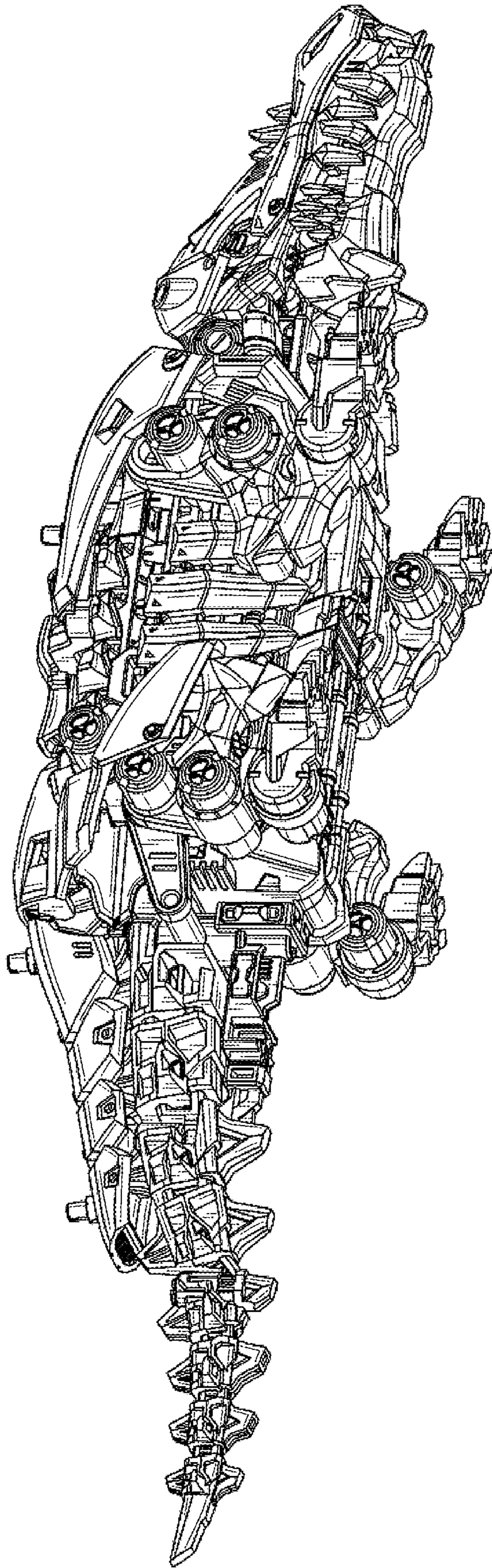


FIG. 8

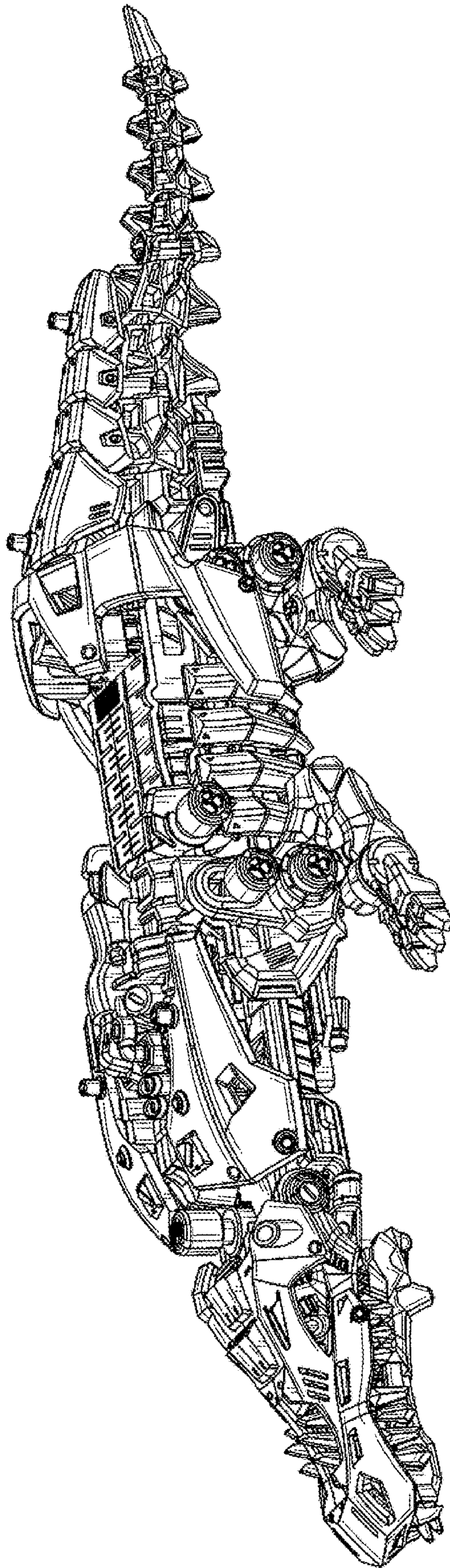


FIG. 9

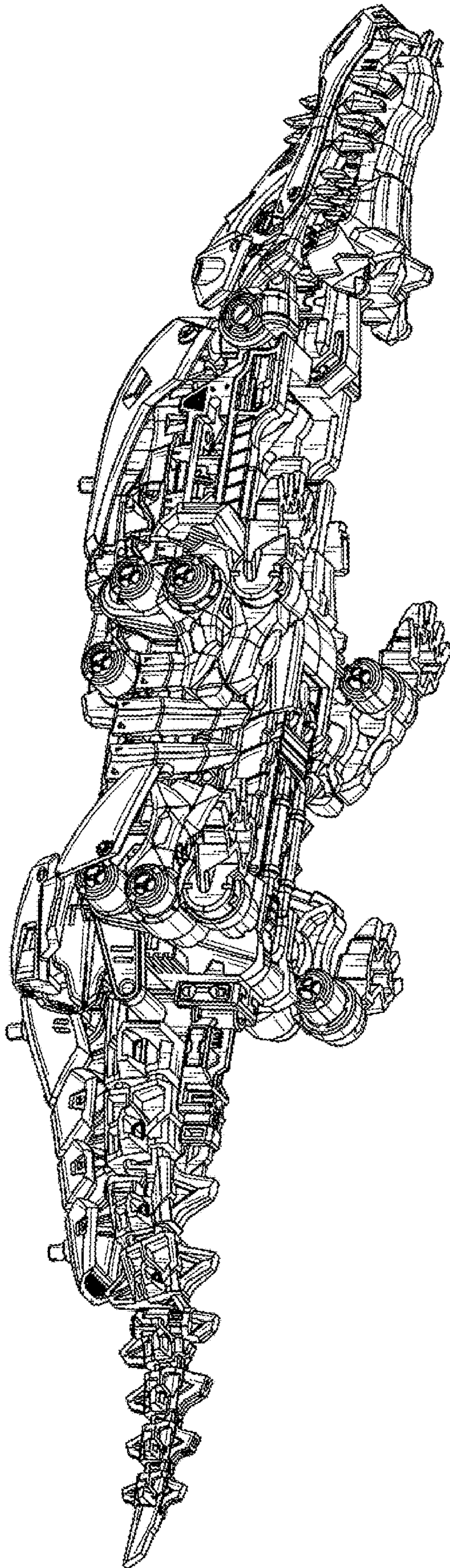


FIG. 10