



US00D869570S

(12) **United States Design Patent** (10) **Patent No.:** **US D869,570 S**  
**Barajas** (45) **Date of Patent:** **\*\* \*Dec. 10, 2019**

(54) **BODY FOR A MODEL VEHICLE**  
(71) Applicant: **TRAXXAS LP**, McKinney, TX (US)  
(72) Inventor: **Jaime Felix Barajas**, Dallas, TX (US)  
(73) Assignee: **TRAXXAS LP**, McKinney, TX (US)  
(\* ) Notice: This patent is subject to a terminal disclaimer.

(\*\*) Term: **15 Years**

(21) Appl. No.: **29/623,933**

(22) Filed: **Oct. 27, 2017**

(51) **LOC (12) Cl.** ..... **21-01**

(52) **U.S. Cl.**  
USPC ..... **D21/548**; D12/86

(58) **Field of Classification Search**  
USPC ..... D12/86, 88, 90-92, 164, 173, 184-186,  
D12/190, 196; D21/419, 421, 423,  
D21/424-426, 433-434, 548, 549, 550,  
D21/552, 559, 561  
CPC .... A63H 17/26; A63H 17/262; A63H 17/264;  
A63H 17/266; A63H 17/36; A63H 17/38;  
A63H 29/00; A63H 29/22; A63H 29/24;  
A63H 30/04  
See application file for complete search history.

(56) **References Cited**

**U.S. PATENT DOCUMENTS**

D277,494 S \* 2/1985 Lerch ..... D21/559  
D281,000 S \* 10/1985 Kuna ..... D21/559  
D496,409 S \* 9/2004 Tilbor ..... D21/559  
D547,249 S \* 7/2007 Kurtz ..... D12/190  
D566,789 S \* 4/2008 Idiot ..... D21/552  
D566,790 S \* 4/2008 Idiot ..... D21/552  
D567,301 S \* 4/2008 Idiot ..... D21/549

D603,295 S \* 11/2009 Honeycutt ..... D12/86  
D605,083 S \* 12/2009 Manoogian, II ..... D12/86  
D612,767 S \* 3/2010 Barkan ..... D12/86  
D728,037 S \* 4/2015 Barajas ..... D21/548  
D769,378 S \* 10/2016 Belker ..... D21/549  
D770,575 S \* 11/2016 Belker ..... D21/549  
D771,202 S \* 11/2016 Gan ..... D21/552  
D771,203 S \* 11/2016 Gan ..... D21/552  
D792,526 S \* 7/2017 Belker ..... D21/561  
D802,685 S \* 11/2017 Barajas ..... D21/562

\* cited by examiner

*Primary Examiner* — Robin V Webster

*Assistant Examiner* — Keith J Wilson

(74) *Attorney, Agent, or Firm* — Daryl R. Wright; Greg Carr

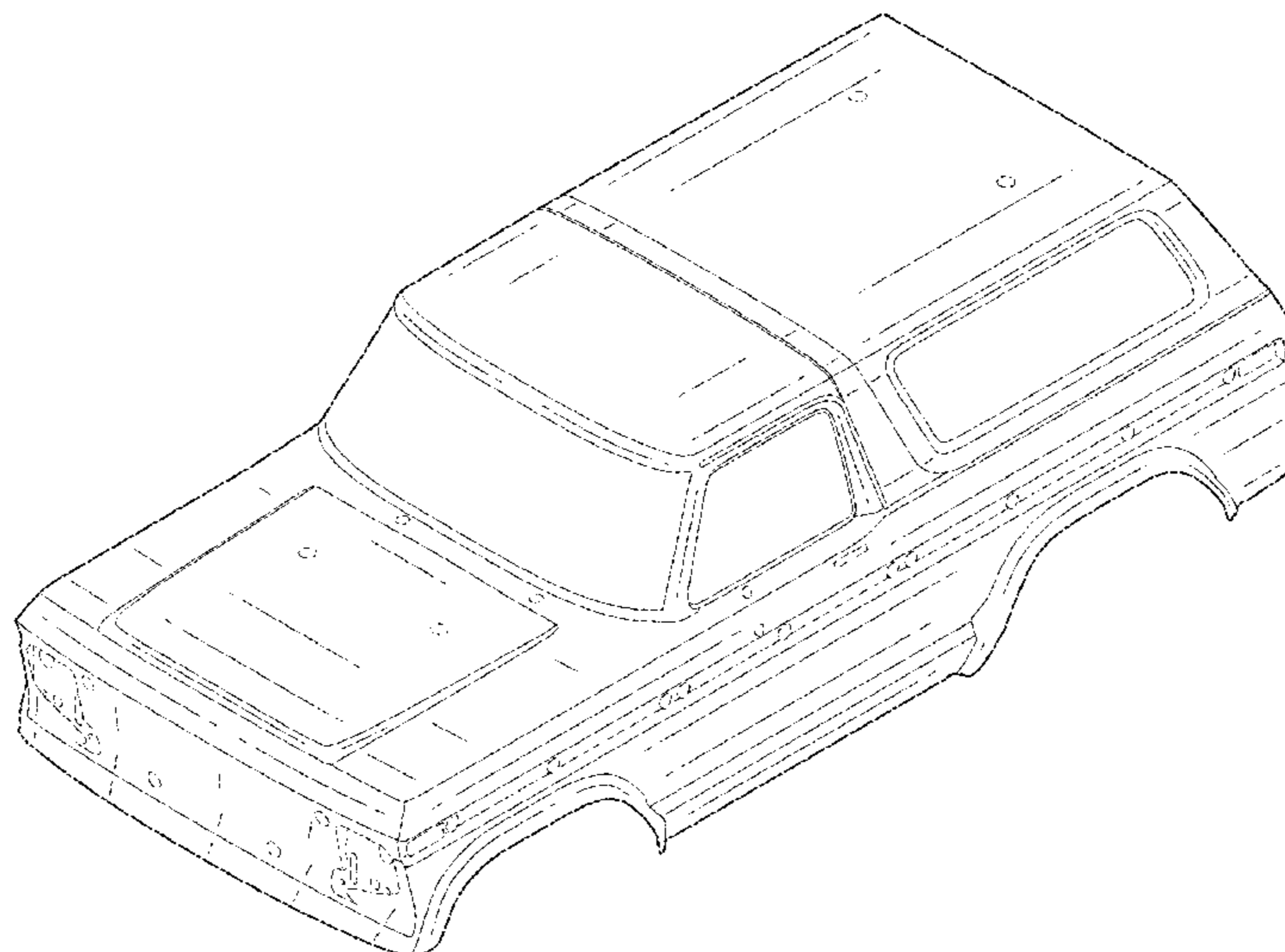
(57) **CLAIM**

I claim the ornamental design for a body for a model vehicle, as shown and described.

**DESCRIPTION**

FIG. 1 is a top, left, front perspective view of a body for a model vehicle;  
FIG. 2 is front elevation view thereof;  
FIG. 3 is a rear elevation view thereof;  
FIG. 4 is a left side elevation view thereof;  
FIG. 5 is a right side elevation view thereof;  
FIG. 6 is a top plan view thereof;  
FIG. 7 is a bottom plan view thereof;  
FIG. 8 is a top, right, rear perspective view; and,  
FIG. 9 is a top, left, front perspective environmental view.  
In the drawings, the broken line showing of features of the body for a model vehicle illustrate portions of the body for a model vehicle that form no part of the claimed design; whereas, the broken line showing of the environmental view depicts environmental subject matter and is provided for the purposes of illustrating environmental structure and context.

**1 Claim, 9 Drawing Sheets**



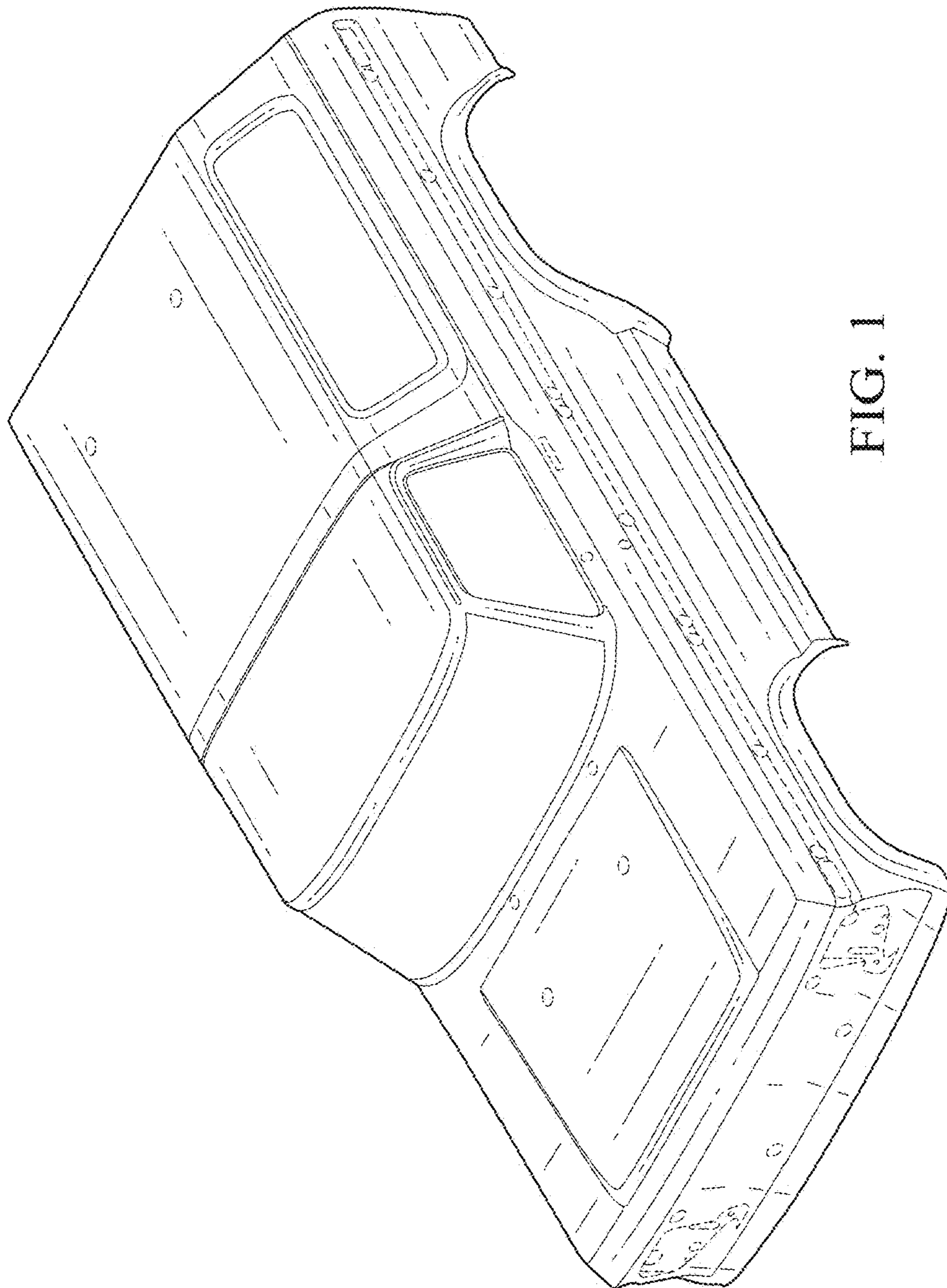


FIG. 1

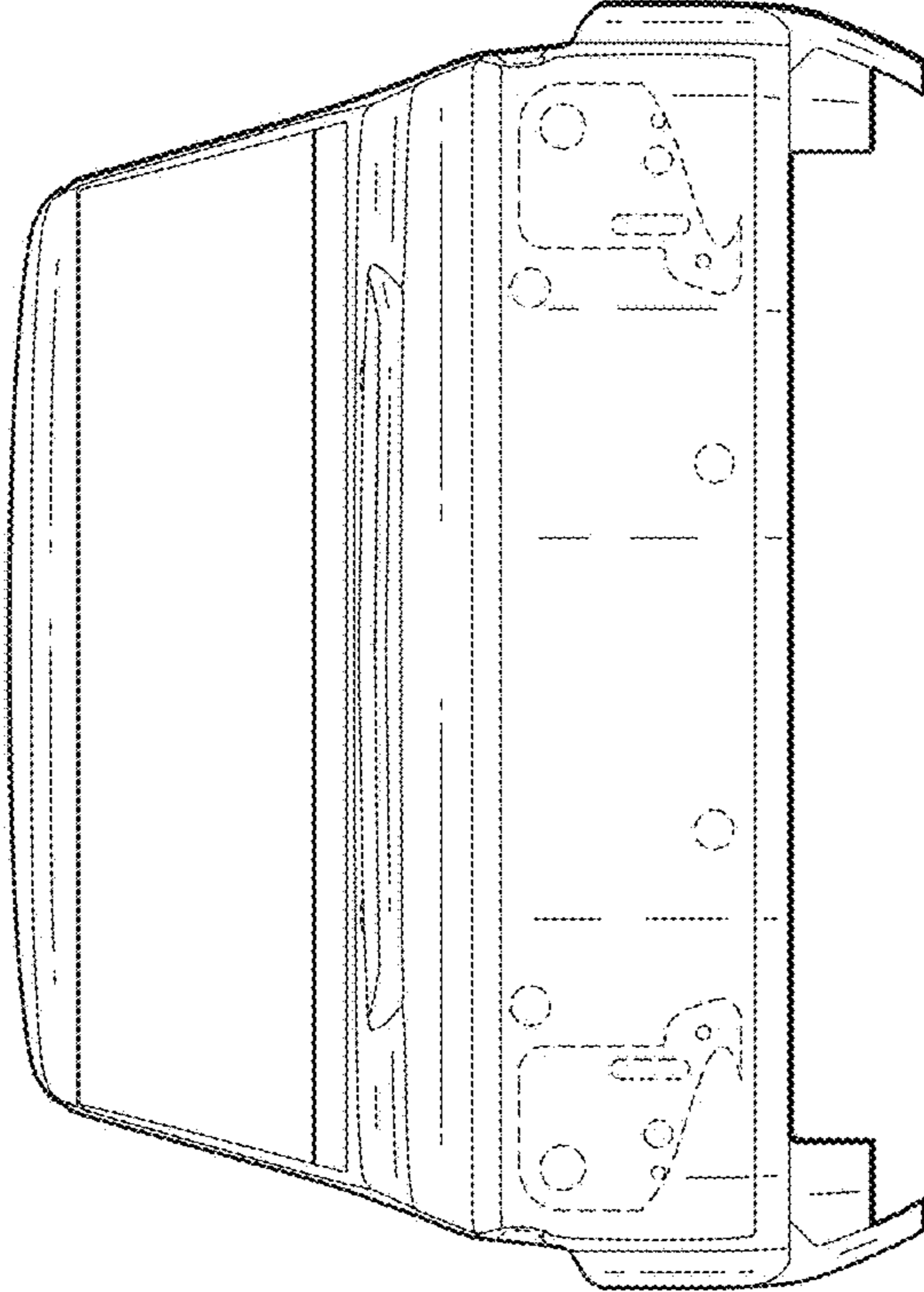


FIG. 2

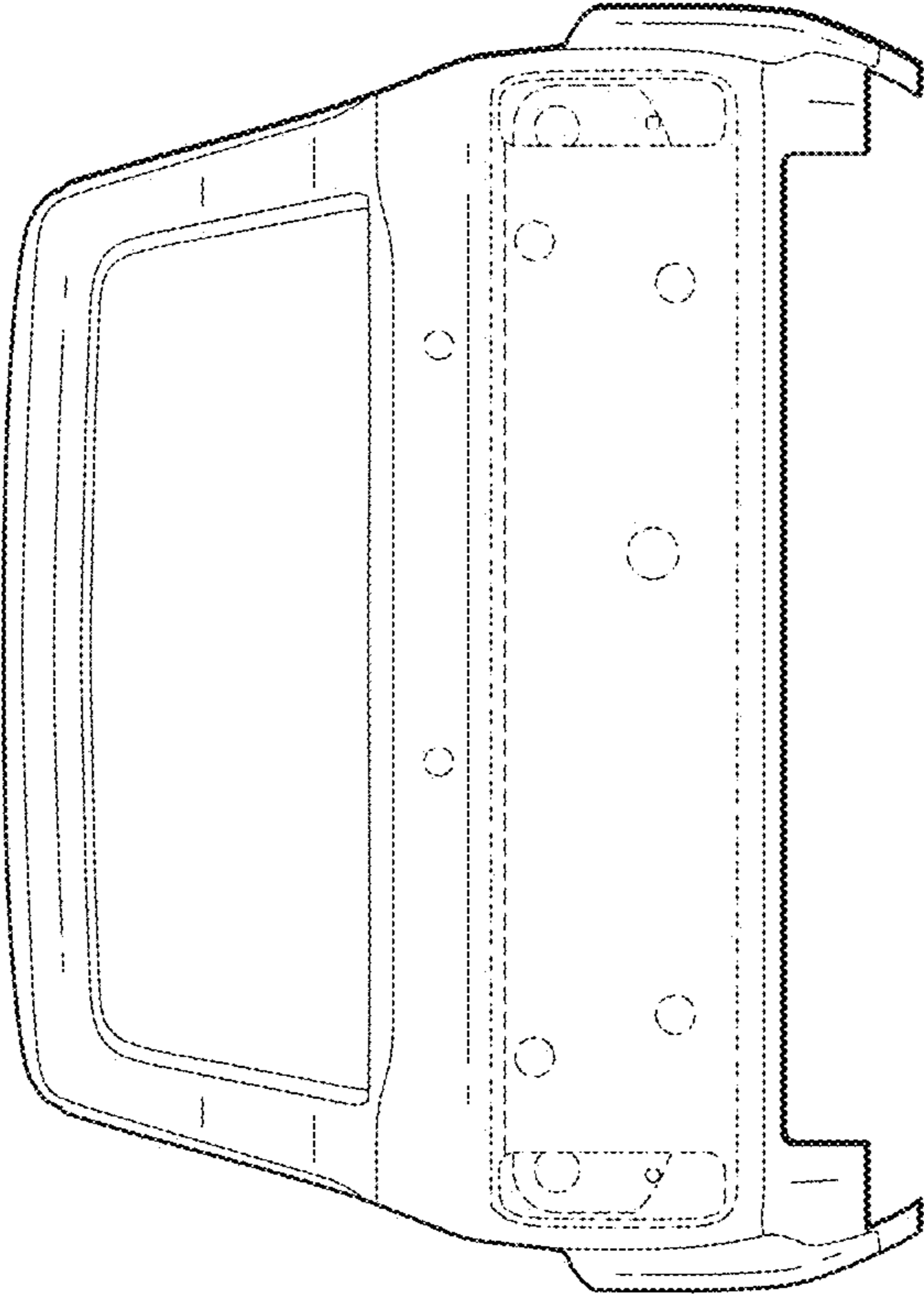


FIG. 3

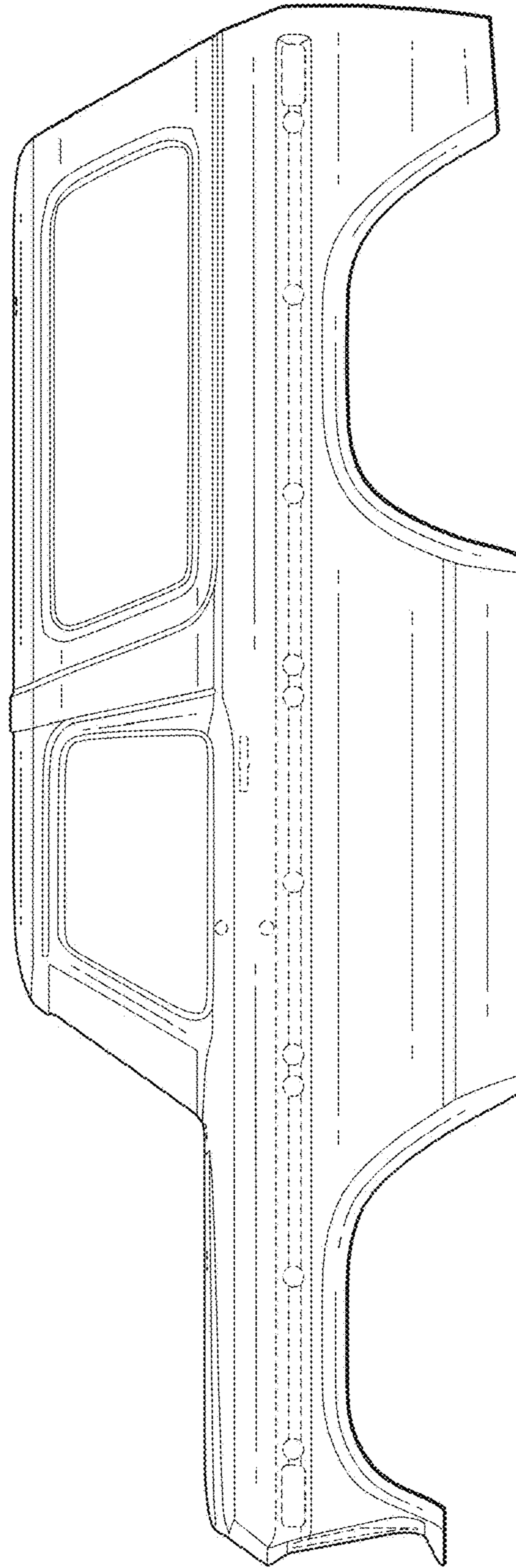


FIG. 4

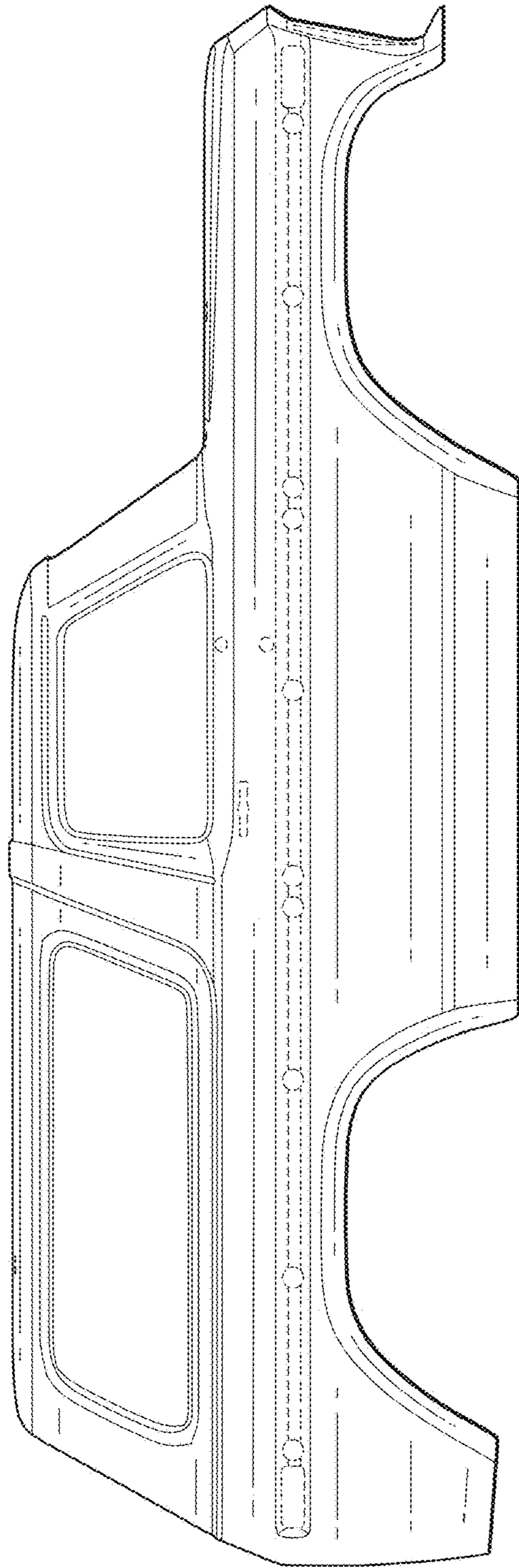


FIG. 5

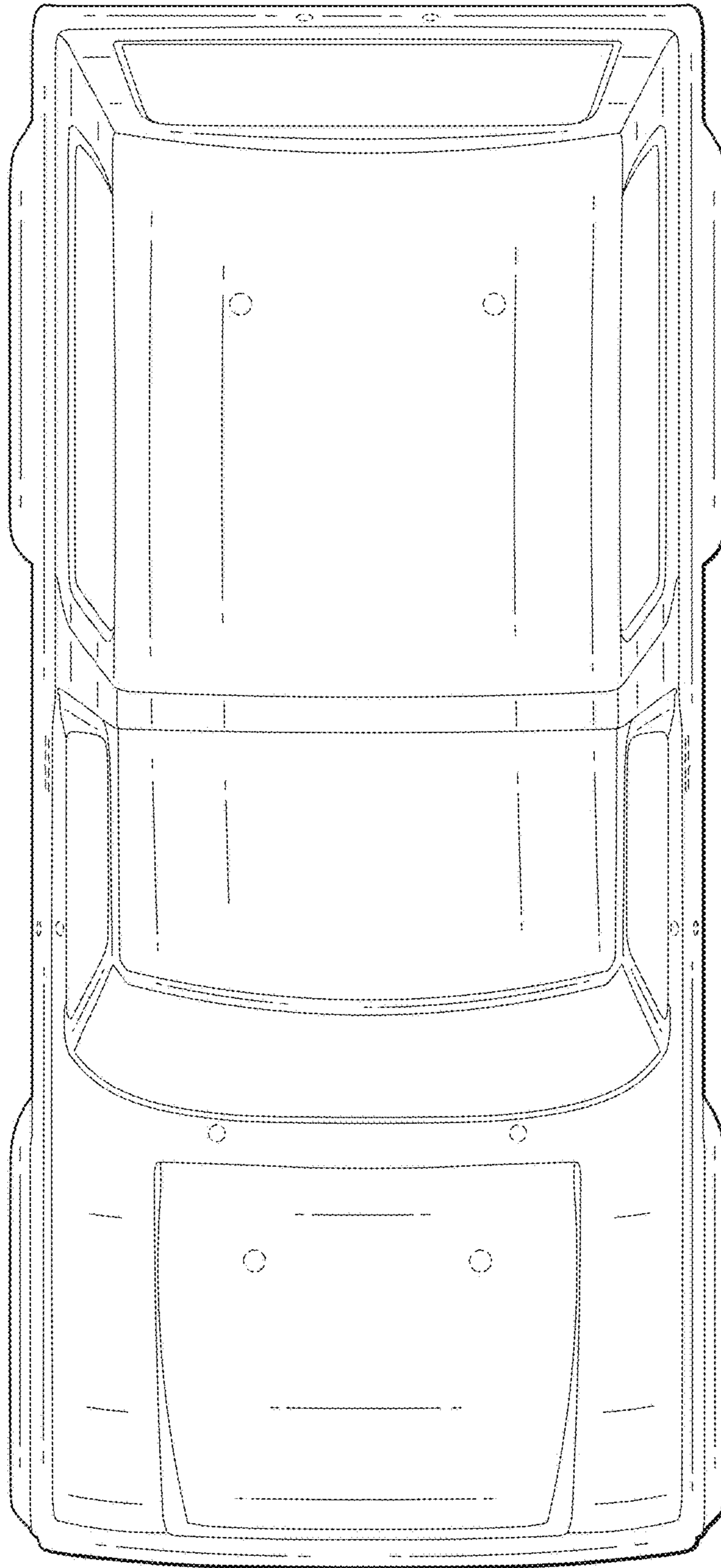


FIG. 6

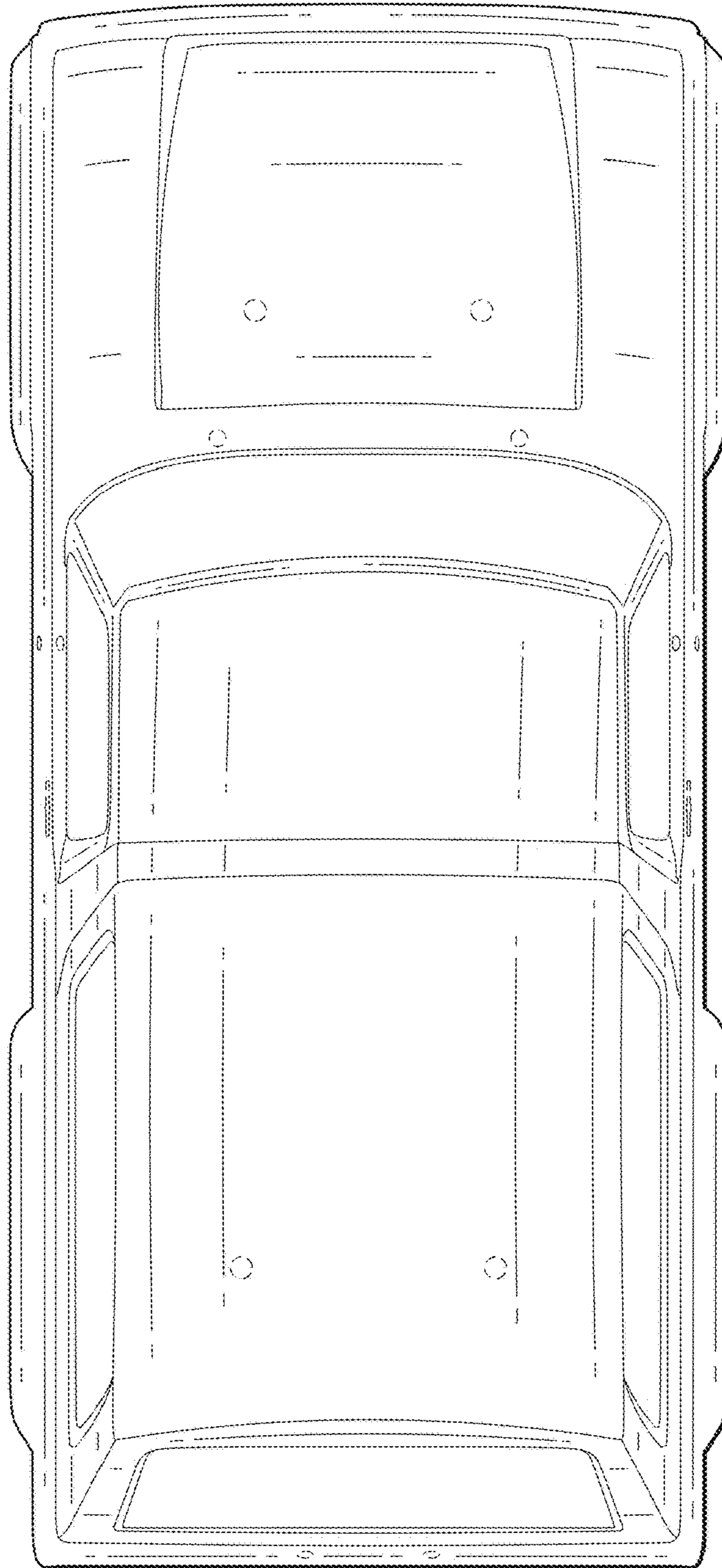


FIG. 7



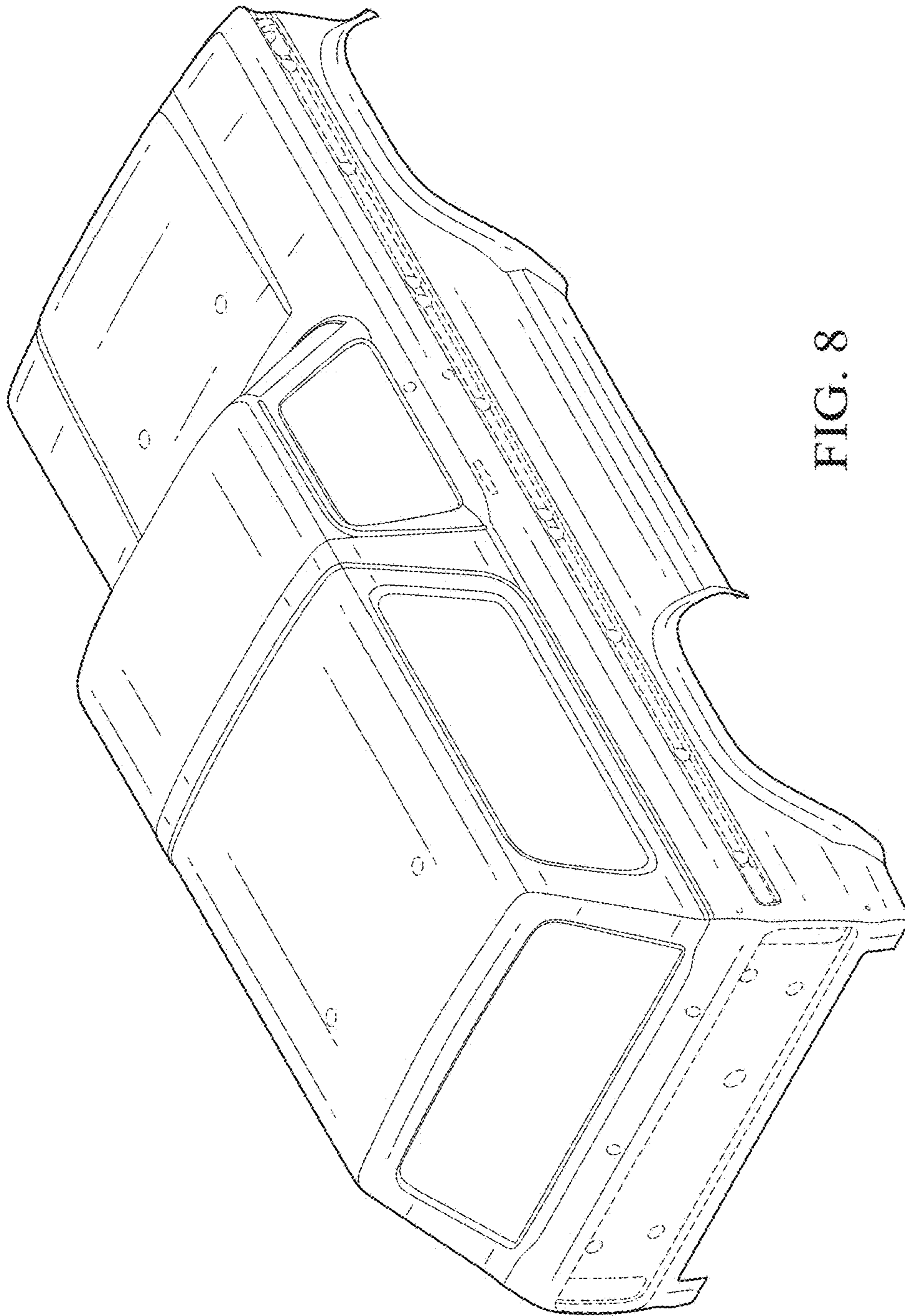


FIG. 8

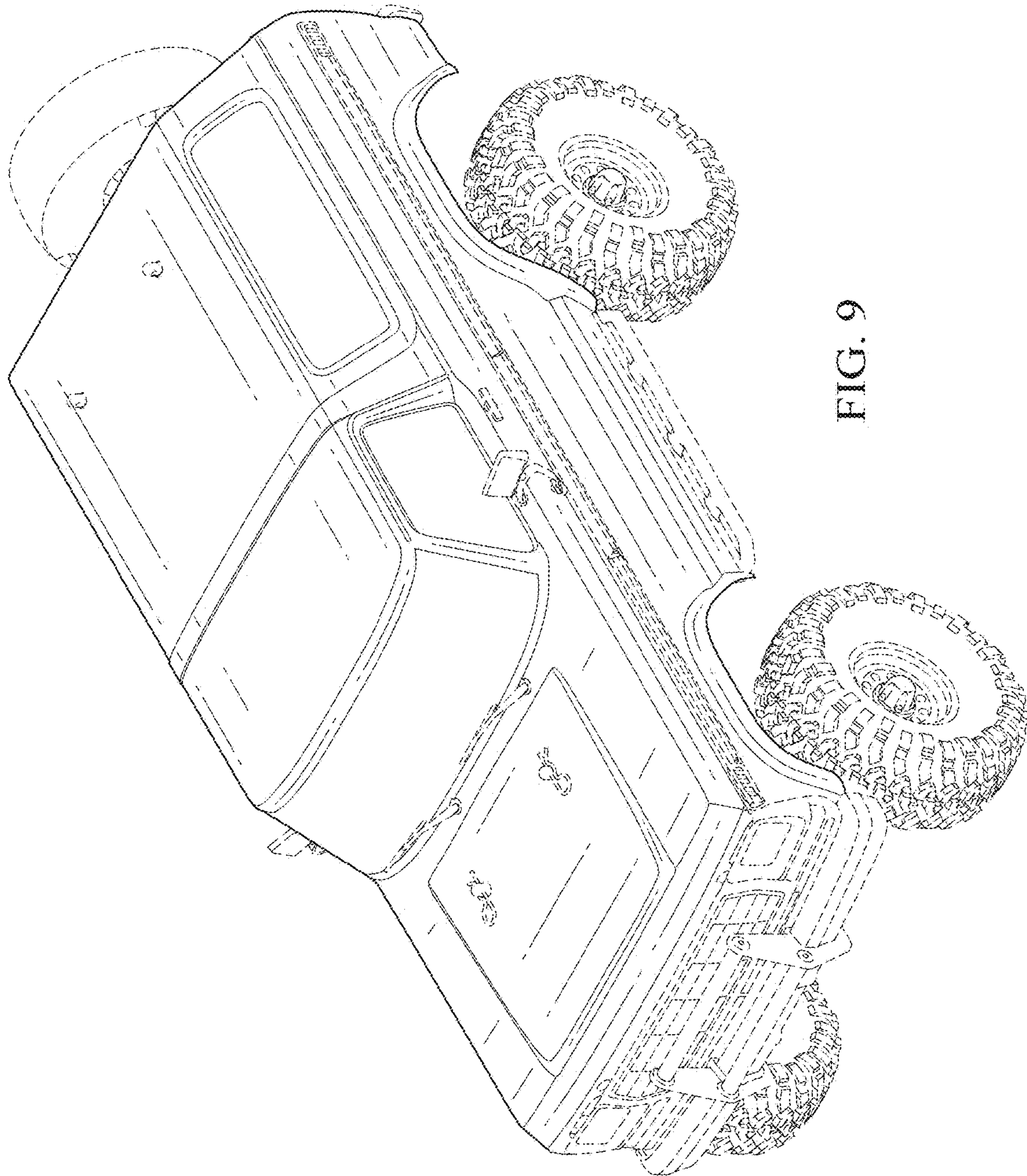


FIG. 9