



US00D869567S

(12) **United States Design Patent**
Holman

(10) **Patent No.:** **US D869,567 S**
(45) **Date of Patent:** **** Dec. 10, 2019**

(54) **LOCOMOTION PLAY CONSTRUCTION KIT**

(71) Applicant: **Heroes Will Rise, Inc.**, Hope, RI (US)

(72) Inventor: **Cas Holman**, Hope, RI (US)

(**) Term: **15 Years**

(21) Appl. No.: **29/663,698**

(22) Filed: **Sep. 18, 2018**

(51) **LOC (12) Cl.** **21-01**

(52) **U.S. Cl.**
USPC **D21/484**; D21/492

(58) **Field of Classification Search**
USPC D21/333, 373, 386, 389, 404, 468, 470,
D21/471, 475, 484-505

(Continued)

(56) **References Cited**

U.S. PATENT DOCUMENTS

- 1,166,688 A * 1/1916 Hornby E04B 1/1903
403/218
- 1,996,722 A * 4/1935 Gilbert A63H 33/12
446/116

(Continued)

Primary Examiner — Cynthia M. Chin

(74) *Attorney, Agent, or Firm* — Joseph D. Hodler

(57) **CLAIM**

The ornamental design for a locomotion play construction kit, as shown and described.

DESCRIPTION

FIG. 1 is a top, front, right isometric view of a first part of the locomotion play construction kit;
 FIG. 2 is a front view of the first part, the rear view being a mirror image thereof;
 FIG. 3 is a right view of the first part, the left view being a mirror image thereof;

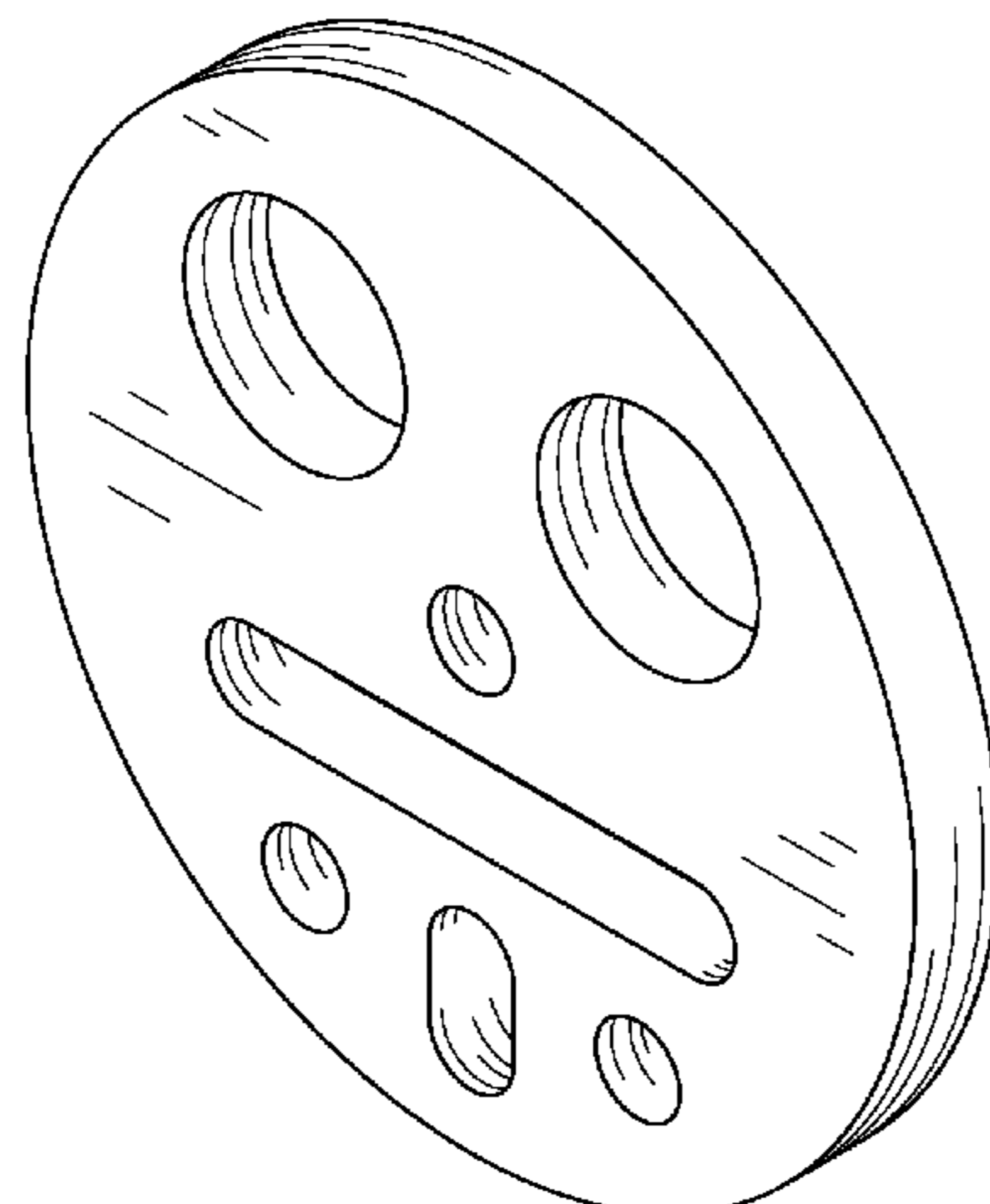


FIG. 4 is a top, front, right isometric view of a second part of the locomotion play construction kit;
 FIG. 5 is a front view of the second part, the rear view being a mirror image thereof;
 FIG. 6 is a right view of the second part, the left view being a mirror image thereof;
 FIG. 7 is a top, front, right isometric view of a third part of the locomotion play construction kit;
 FIG. 8 is a front view of the third part, the rear view being a mirror image thereof;
 FIG. 9 is a right view of the third part, the left view being a mirror image thereof;
 FIG. 10 is a top, front, right isometric view of a fourth part of the locomotion play construction kit;
 FIG. 11 is a front view of the fourth part, the rear view being a mirror image thereof;
 FIG. 12 is a right view of the fourth part, the left view being a mirror image thereof;
 FIG. 13 is a top, front, right isometric view of a fifth part of the locomotion play construction kit;
 FIG. 14 is a front view of the fifth part, the rear view being a mirror image thereof;
 FIG. 15 is a right view of the fifth part, the left view being a mirror image thereof;
 FIG. 16 is a top, front, right isometric view of a sixth part of the locomotion play construction kit;
 FIG. 17 is a front view of the sixth part, the rear view being a mirror image thereof;
 FIG. 18 is a right view of the sixth part, the left view being a mirror image thereof;
 FIG. 19 is a top, front, right isometric view of a seventh part of the locomotion play construction kit;
 FIG. 20 is a front view of the seventh part, the rear view being a mirror image thereof;
 FIG. 21 is a right view of the seventh part, the left view being a mirror image thereof;
 FIG. 22 is a top, front, right isometric view of an eighth part of the locomotion play construction kit;
 FIG. 23 is a front view of the eighth part, the rear view being a mirror image thereof;
 FIG. 24 is a right view of the eighth part, the left view being a mirror image thereof;

(Continued)

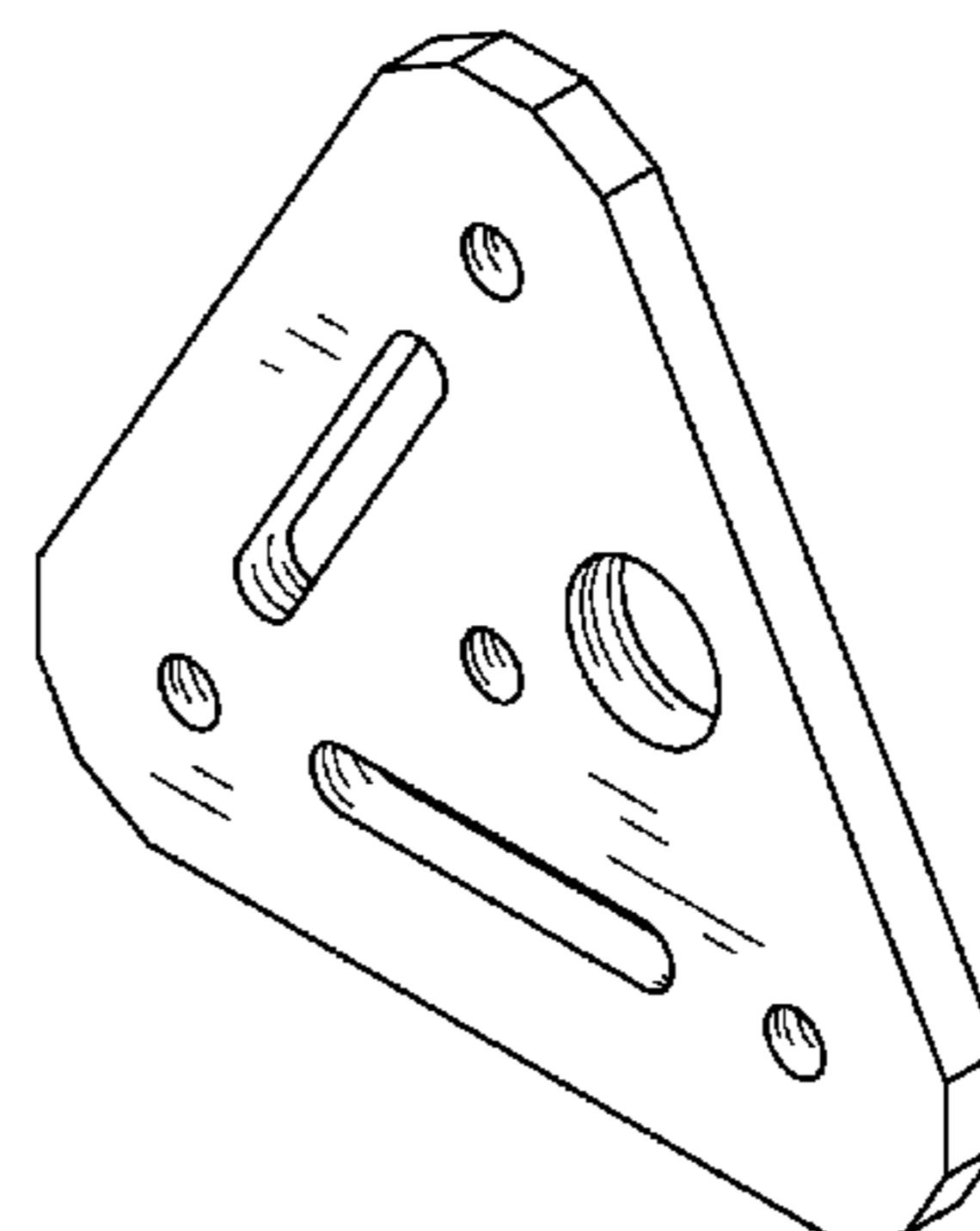


FIG. 25 is a reduced top, front, right isometric view of a ninth part of the locomotion play construction kit;
 FIG. 26 is a reduced front view of the ninth part, the rear view being a mirror image thereof;
 FIG. 27 is a reduced right view of the ninth part, the left view being a mirror image thereof;
 FIG. 28 is a reduced bottom view of the ninth part, the top view being a mirror image thereof;
 FIG. 29 is a reduced top, front, right isometric view of a tenth part of the locomotion play construction kit;
 FIG. 30 is a reduced front view of the tenth part, the rear view being a mirror image thereof;
 FIG. 31 is a reduced right view of the tenth part, the left view being a mirror image thereof;
 FIG. 32 is a reduced bottom view of the tenth part, the top view being a mirror image thereof;
 FIG. 33 is a reduced top, front, right isometric view of an eleventh part of the locomotion play construction kit;
 FIG. 34 is a reduced top view of the eleventh part;
 FIG. 35 is a reduced front view of the eleventh part, the rear view being a mirror image thereof;
 FIG. 36 is a reduced right view of the eleventh part, the left view being a mirror image thereof;
 FIG. 37 is a reduced bottom view of the eleventh part;
 FIG. 38 is a reduced top, front, right isometric view of a twelfth part of the locomotion play construction kit;
 FIG. 39 is a reduced top view of the twelfth part;
 FIG. 40 is a reduced front view of the twelfth part, the rear view being a mirror image thereof;
 FIG. 41 is a reduced right view of the twelfth part, the left view being a mirror image thereof;
 FIG. 42 is a reduced bottom view of the twelfth part;
 FIG. 43 is a reduced top, front, right isometric view of a thirteenth part of the locomotion play construction kit;
 FIG. 44 is a reduced front view of the thirteenth part, the rear view being a mirror image thereof;
 FIG. 45 is a reduced right view of the thirteenth part, the left view being a mirror image thereof;
 FIG. 46 is a reduced bottom view of the thirteenth part, the top view being a mirror image thereof;
 FIG. 47 is a reduced top, front, right isometric view of a fourteenth part of the locomotion play construction kit;
 FIG. 48 is a reduced left view of the fourteenth part;
 FIG. 49 is a reduced front view of the fourteenth part, the rear view being a mirror image thereof;
 FIG. 50 is a reduced right view of the fourteenth part;
 FIG. 51 is a reduced bottom view of the fourteenth part, the top view being a mirror image thereof;
 FIG. 52 is a reduced top, front, right isometric view of a fifteenth part of the locomotion play construction kit;
 FIG. 53 is a reduced rear view of the fifteenth part;
 FIG. 54 is a reduced top view of the fifteenth part;
 FIG. 55 is a reduced front view of the fifteenth part;
 FIG. 56 is a reduced right view of the fifteenth part, the left view being a mirror image thereof;
 FIG. 57 is a reduced bottom view of the fifteenth part;

FIG. 58 is a reduced top, front, right isometric view of a sixteenth part of the locomotion play construction kit;
 FIG. 59 is a reduced left view of the sixteenth part, the right view being identical when rotated 180 degrees;
 FIG. 60 is a reduced front view of the sixteenth part;
 FIG. 61 is a reduced bottom view of the sixteenth part, the top view being identical when rotated 180 degrees;
 FIG. 62 is a reduced rear view of the sixteenth part;
 FIG. 63 is a reduced top, front, right isometric view of a seventeenth part of the locomotion play construction kit;
 FIG. 64 is a reduced left view of the seventeenth part, the right view being identical when rotated 180 degrees;
 FIG. 65 is a reduced front view of the seventeenth part;
 FIG. 66 is a reduced bottom view of the seventeenth part, the top view being identical when rotated 180 degrees;
 FIG. 67 is a reduced rear view of the seventeenth part; and,
 FIG. 68 is a rear, right view of the fifth part of the locomotion play construction kit shown in an exemplary assembly. The broken lines represent an exemplary arrangement in which the article resides and forms no part of the claim.

The seventeen parts from the locomotion play construction kit are shown separately for ease and clarity of illustration.

1 Claim, 35 Drawing Sheets

(58) **Field of Classification Search**

CPC A63H 33/04; A63H 33/06; A63H 33/062;
 A63H 33/08; A63H 33/086; A63H
 33/088; A63H 33/10; A63H 33/101;
 A63H 33/108; A63H 33/12; A63F 9/12;
 A63F 9/1224

See application file for complete search history.

(56) **References Cited**

U.S. PATENT DOCUMENTS

2,014,464	A *	9/1935	Bierbach	A63H 33/12 446/115
2,577,702	A *	12/1951	De Swart	A63H 33/062 446/96
D188,549	S *	8/1960	Preu	D21/488
3,355,837	A *	12/1967	Pedersen	A63H 33/12 446/94
4,547,160	A *	10/1985	Labelle	G09B 1/40 273/292
4,589,853	A *	5/1986	Hidvegi	A63H 33/12 446/104
D364,657	S *	11/1995	Schmidt	D21/488
D452,121	S *	12/2001	Teichelman	D21/488
D550,783	S *	9/2007	Glickman	D21/488
D588,208	S *	3/2009	Sinisi	D21/502
D641,803	S *	7/2011	Kichijo	D21/488
D685,861	S	7/2013	Holman	
D762,267	S *	7/2016	Glasband	D21/484
9,550,130	B2 *	1/2017	Petty	A63H 33/042
D830,473	S	10/2018	Holman	

* cited by examiner

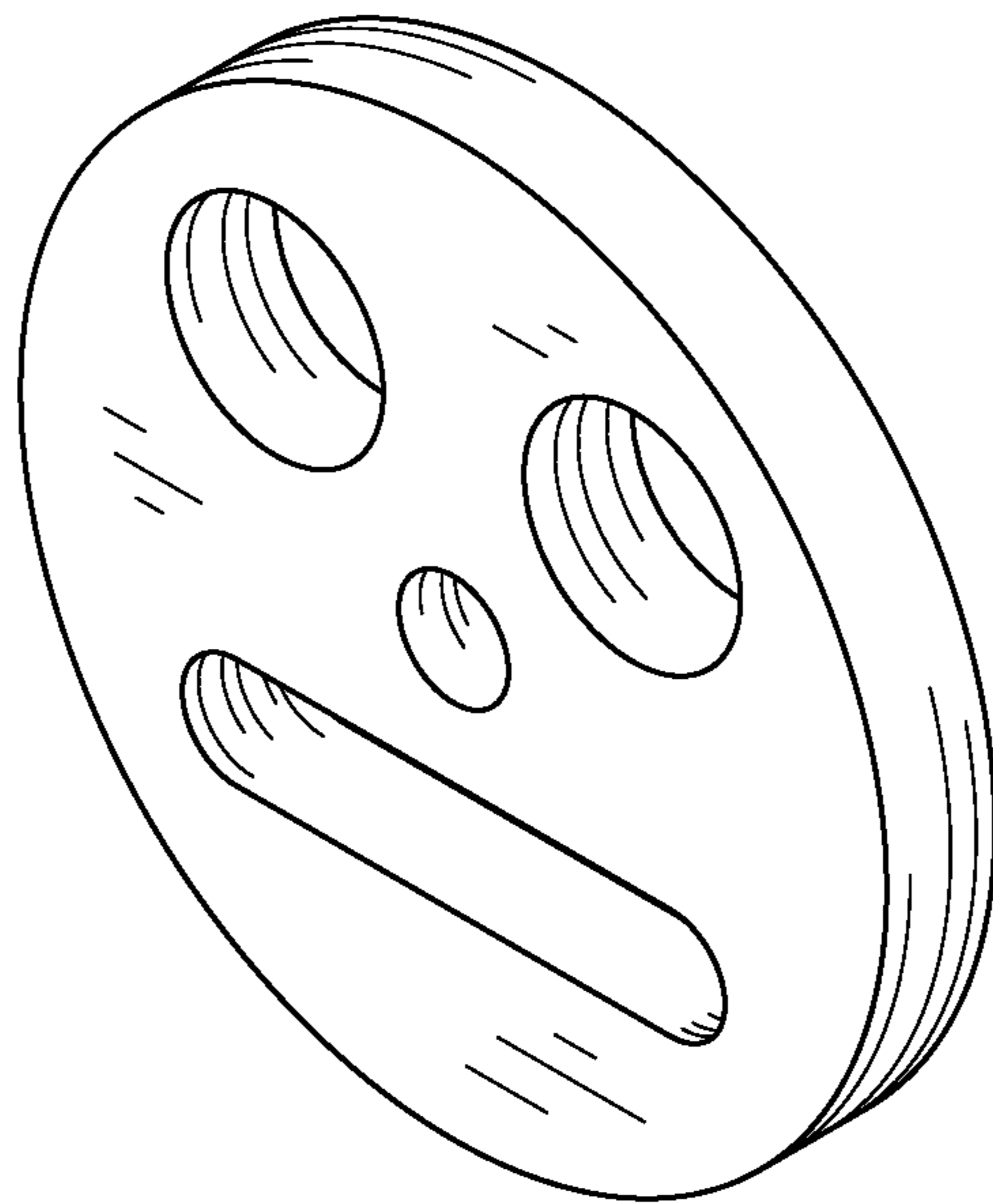


Fig. 1

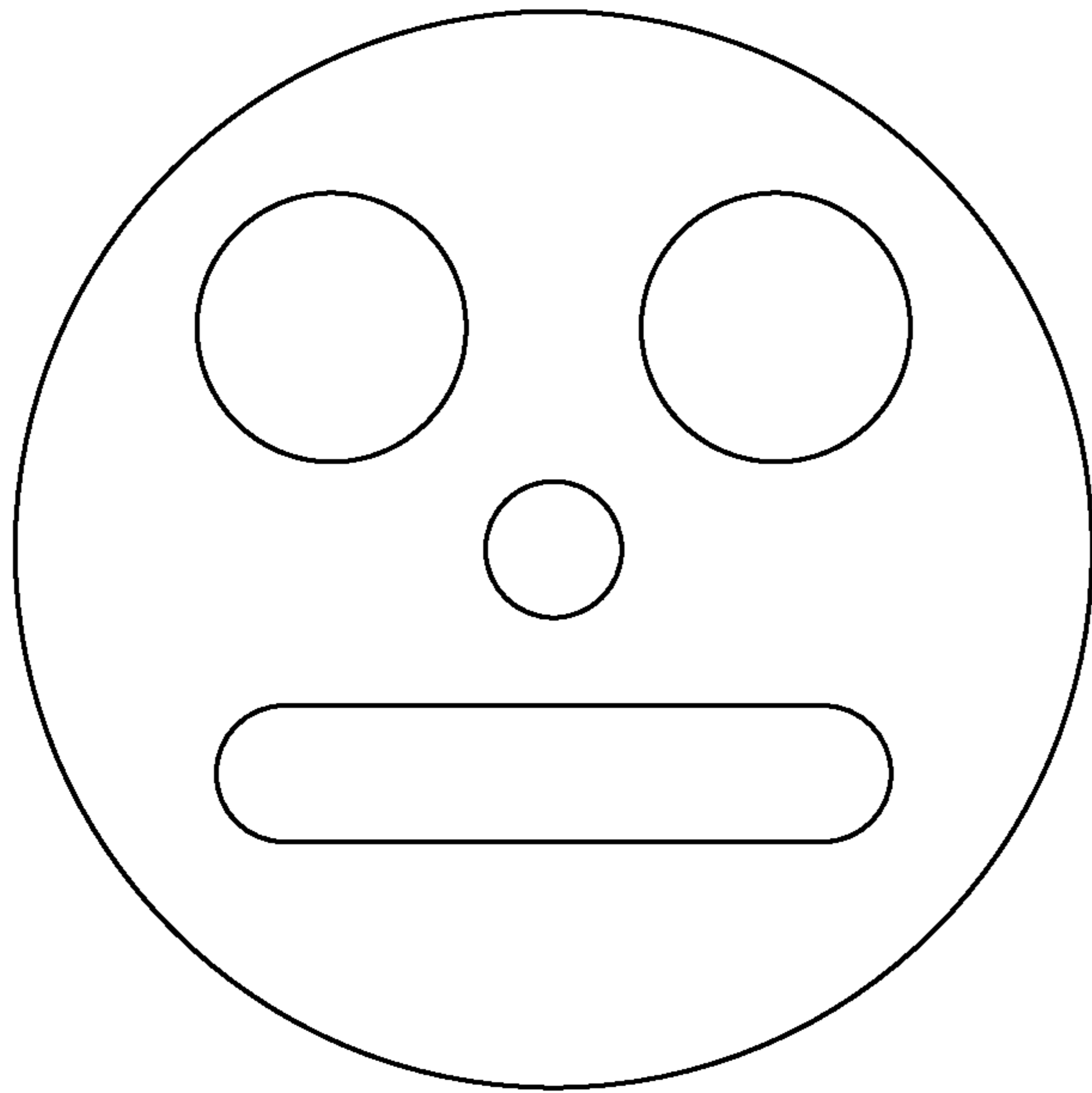


Fig. 2

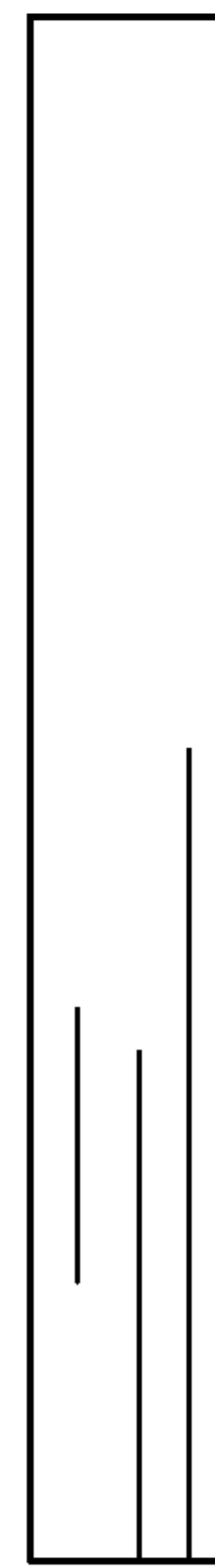


Fig. 3

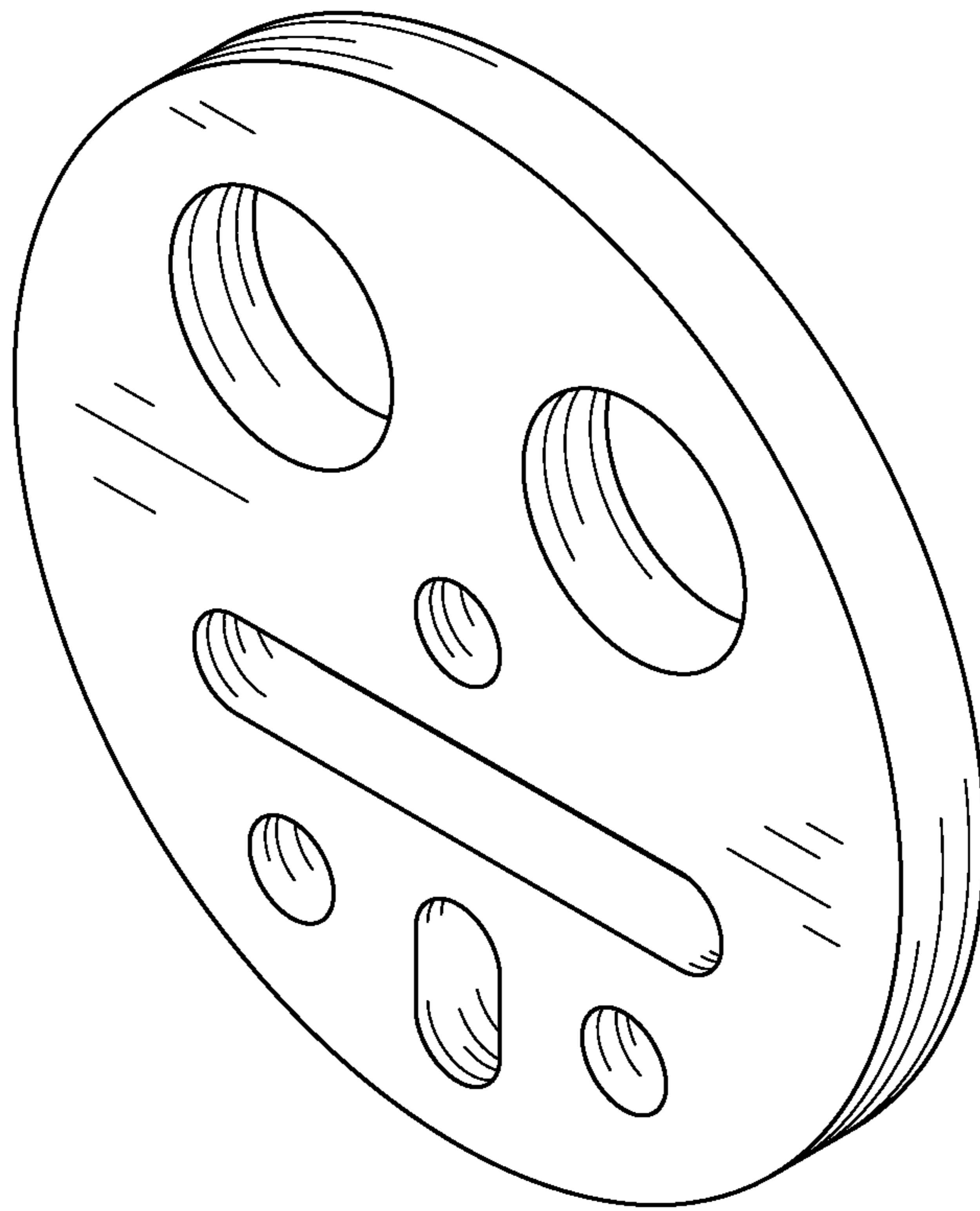


Fig. 4

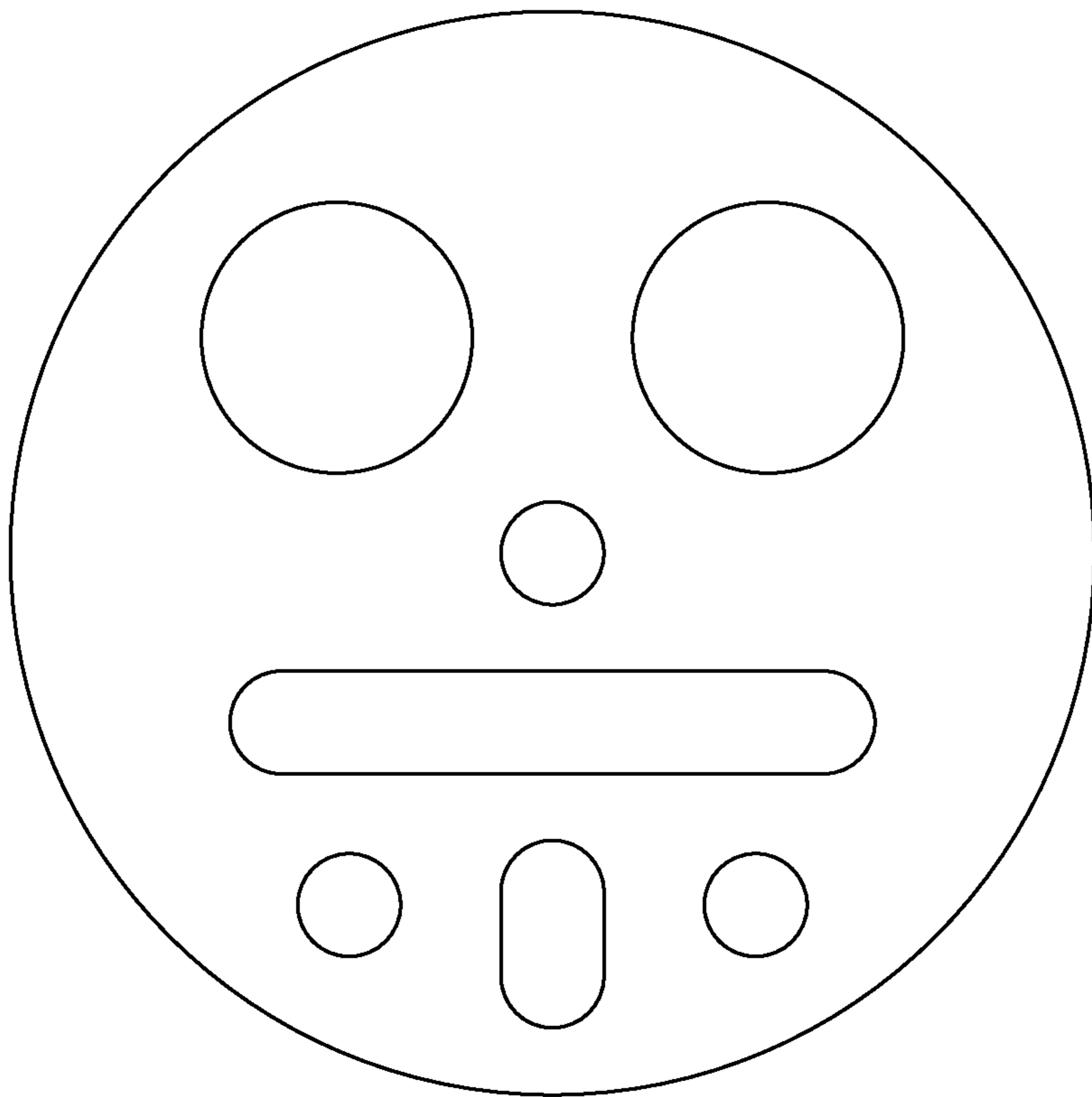


Fig. 5

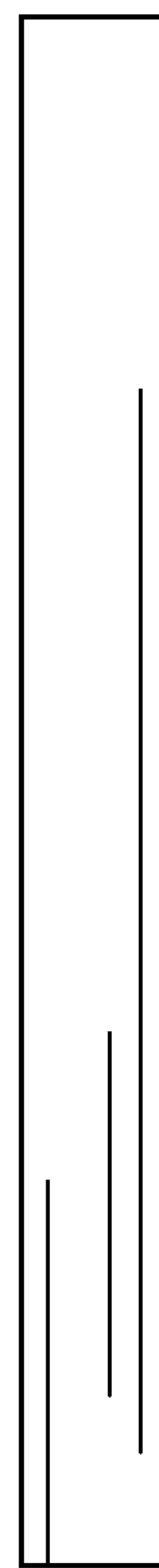


Fig. 6

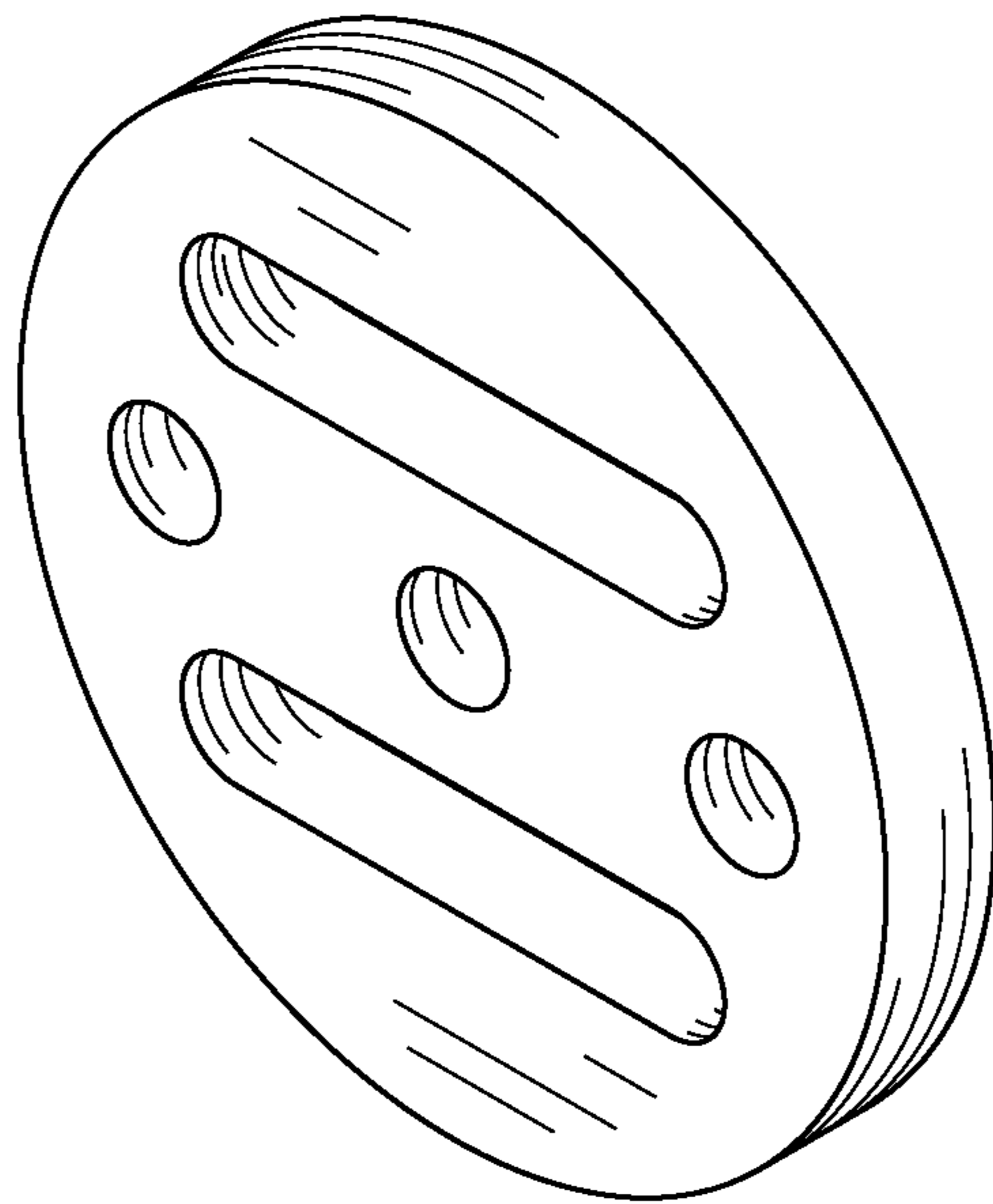


Fig. 7

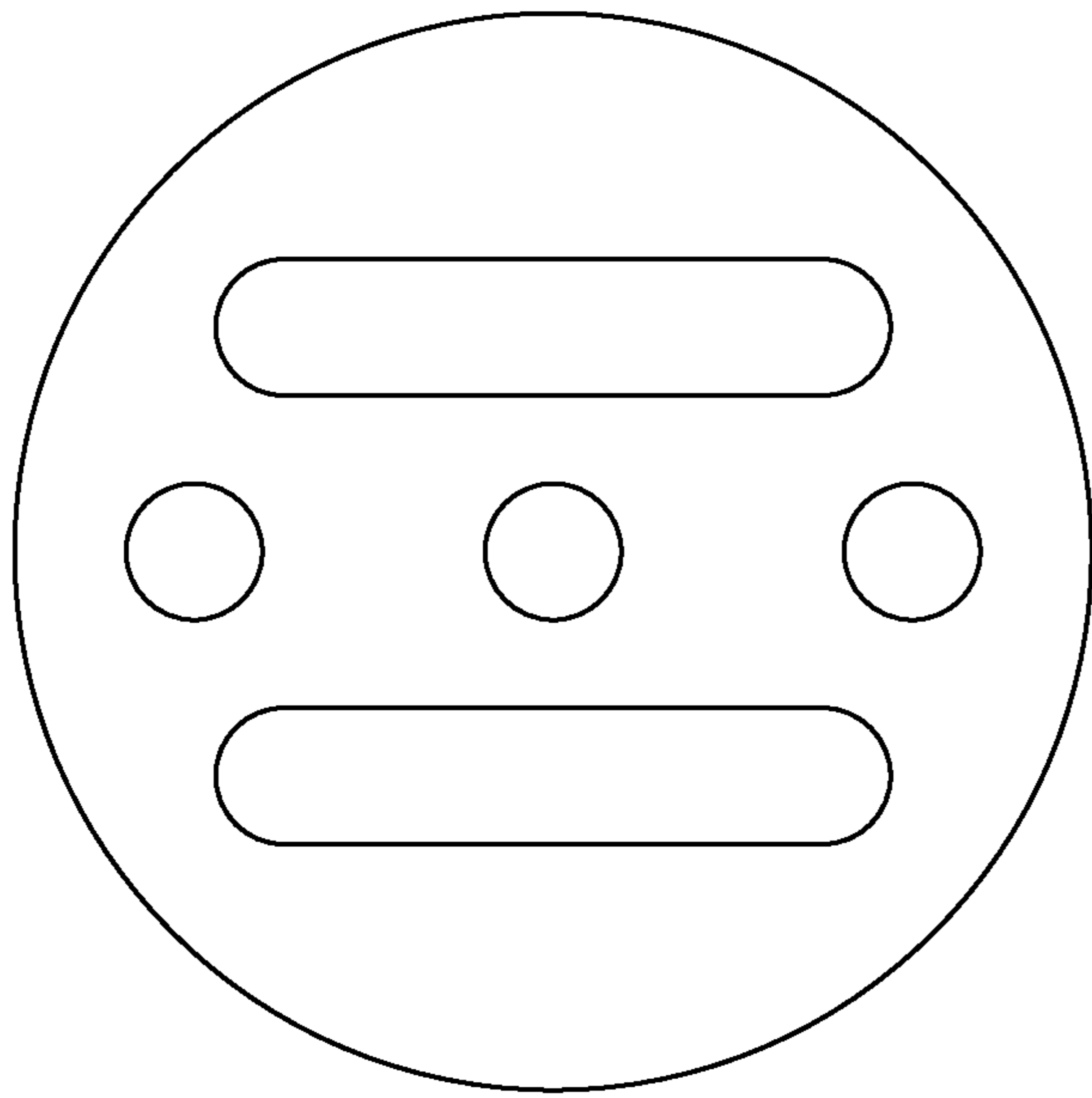


Fig. 8

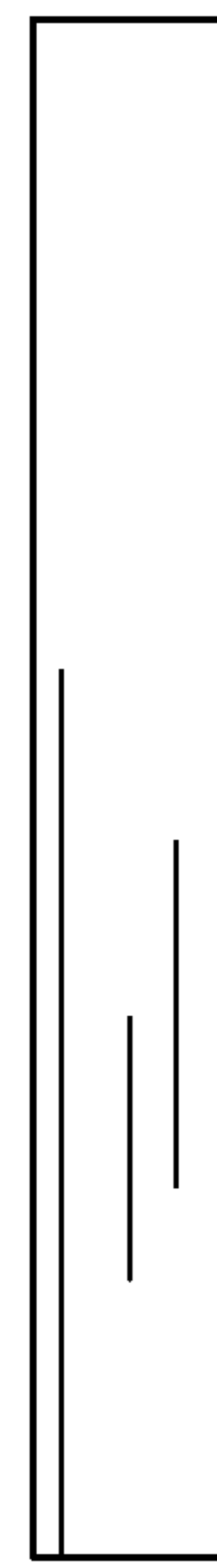


Fig. 9

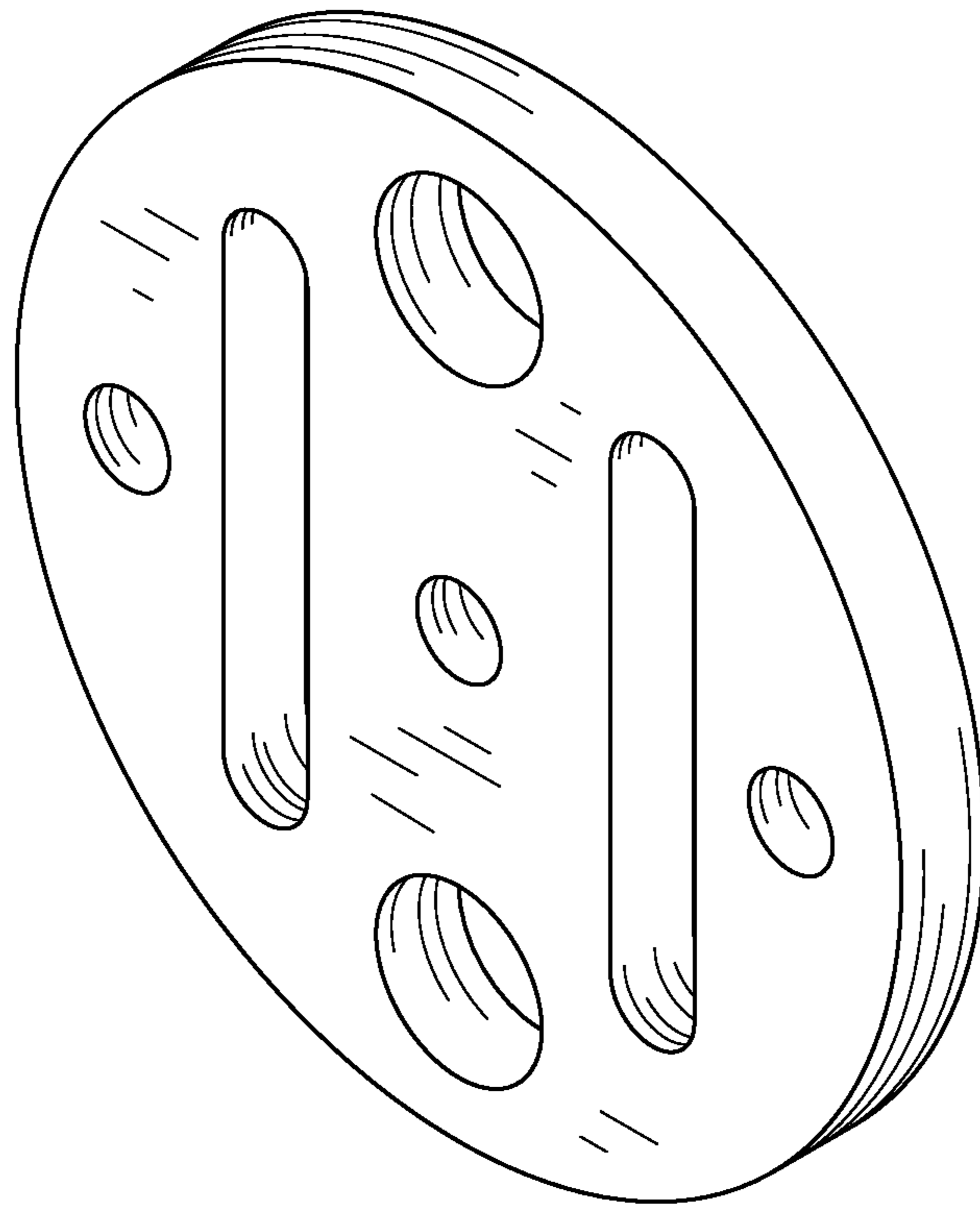


Fig. 10

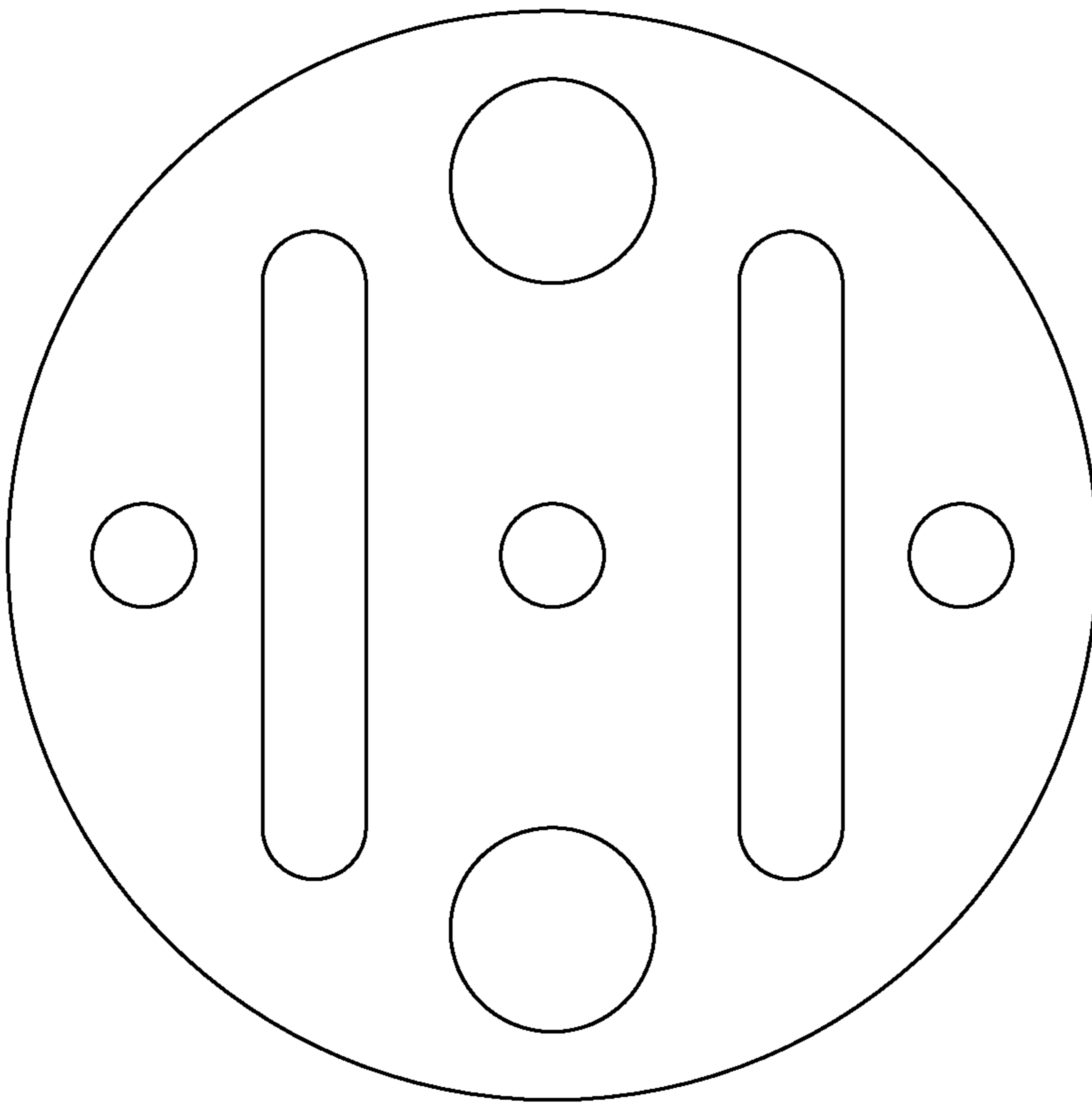


Fig. 11

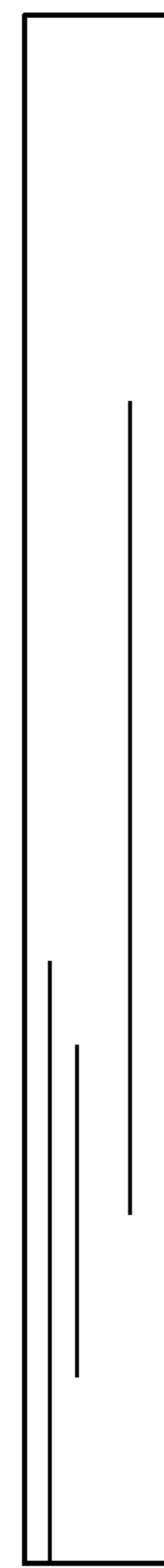


Fig. 12

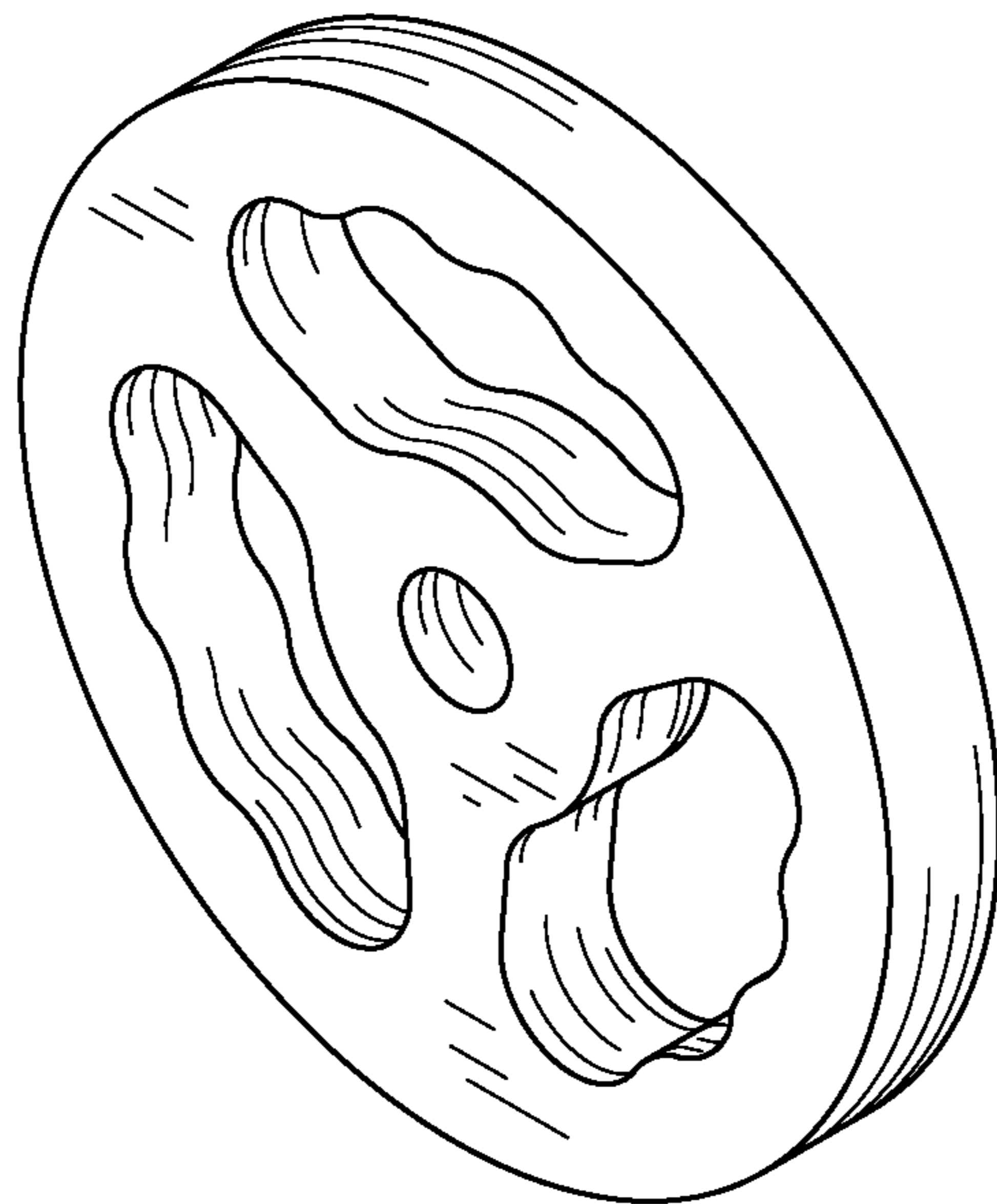


Fig. 13

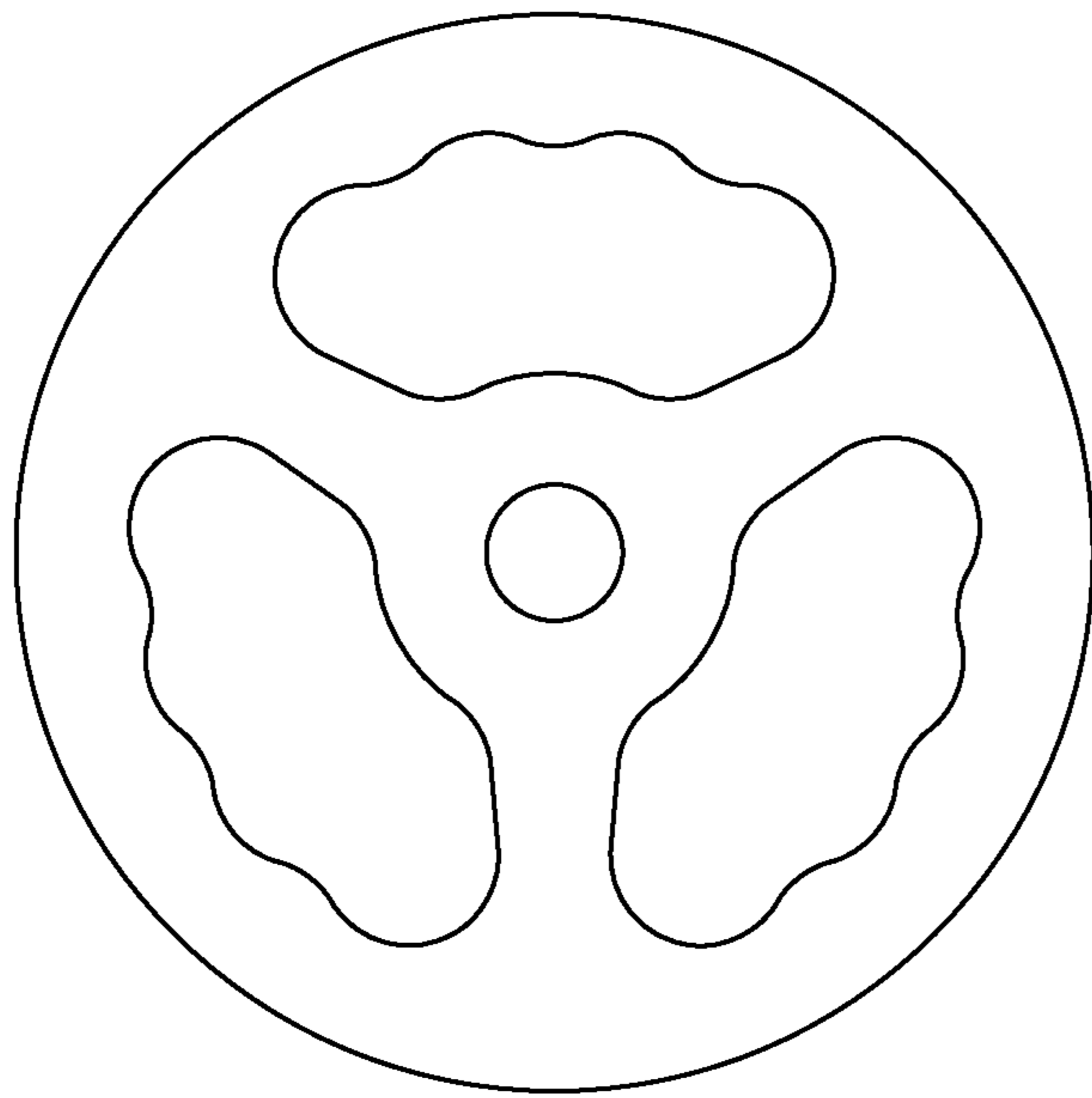


Fig. 14



Fig. 15

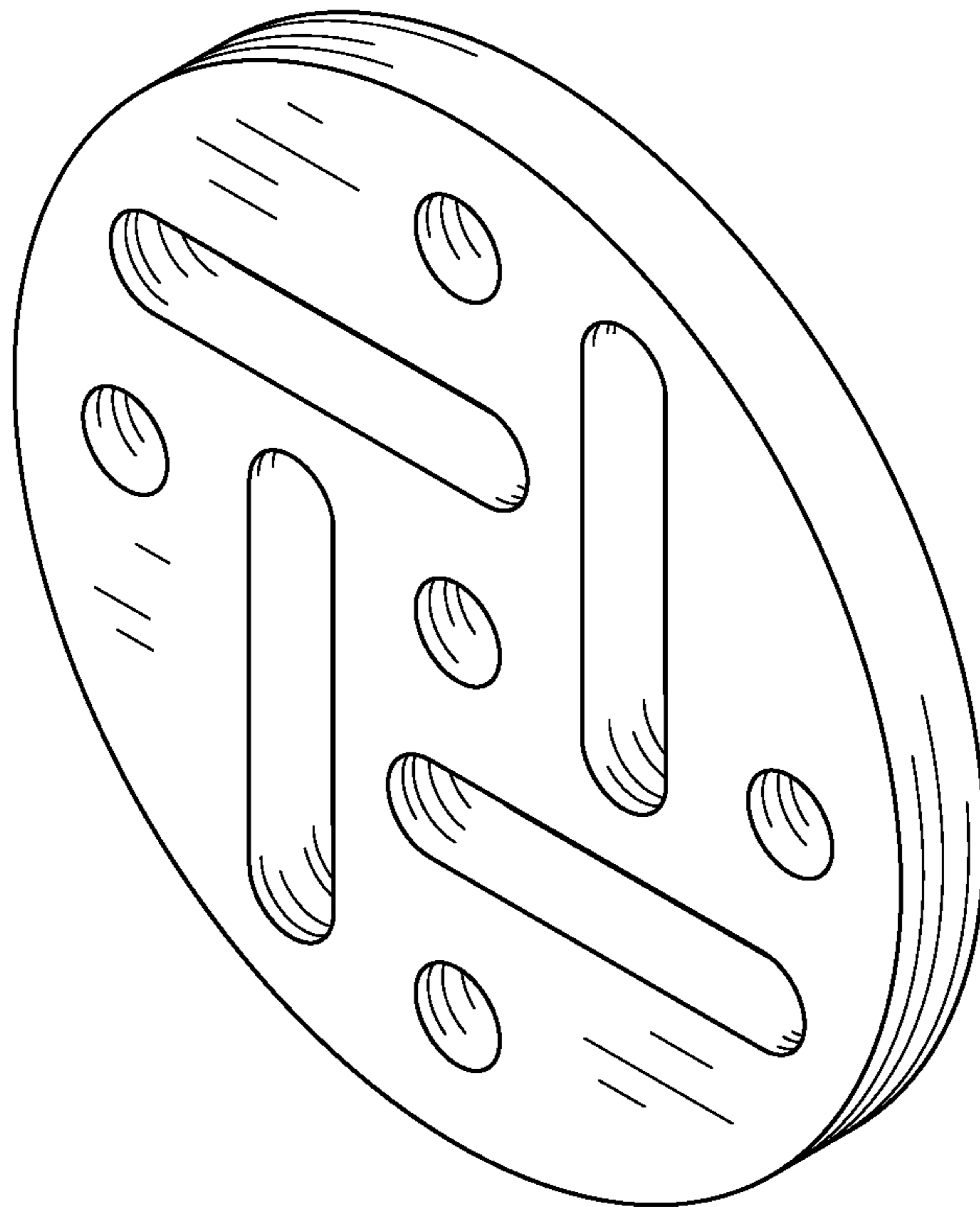


Fig. 16

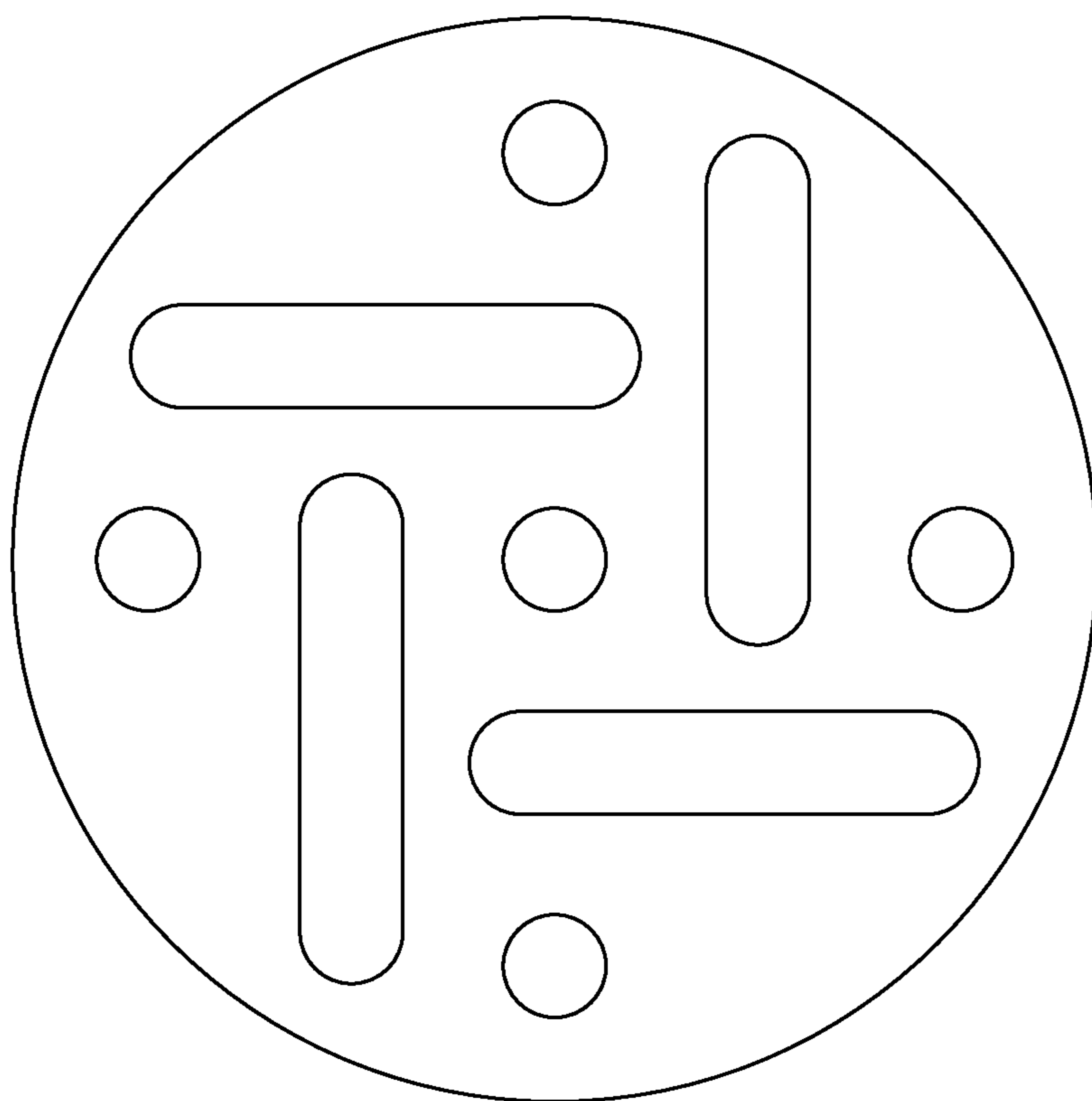


Fig. 17

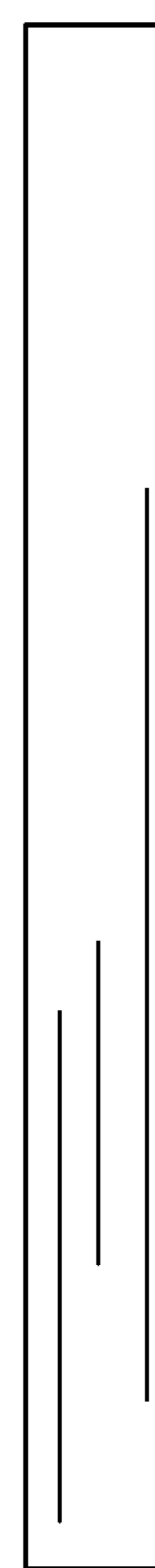


Fig. 18

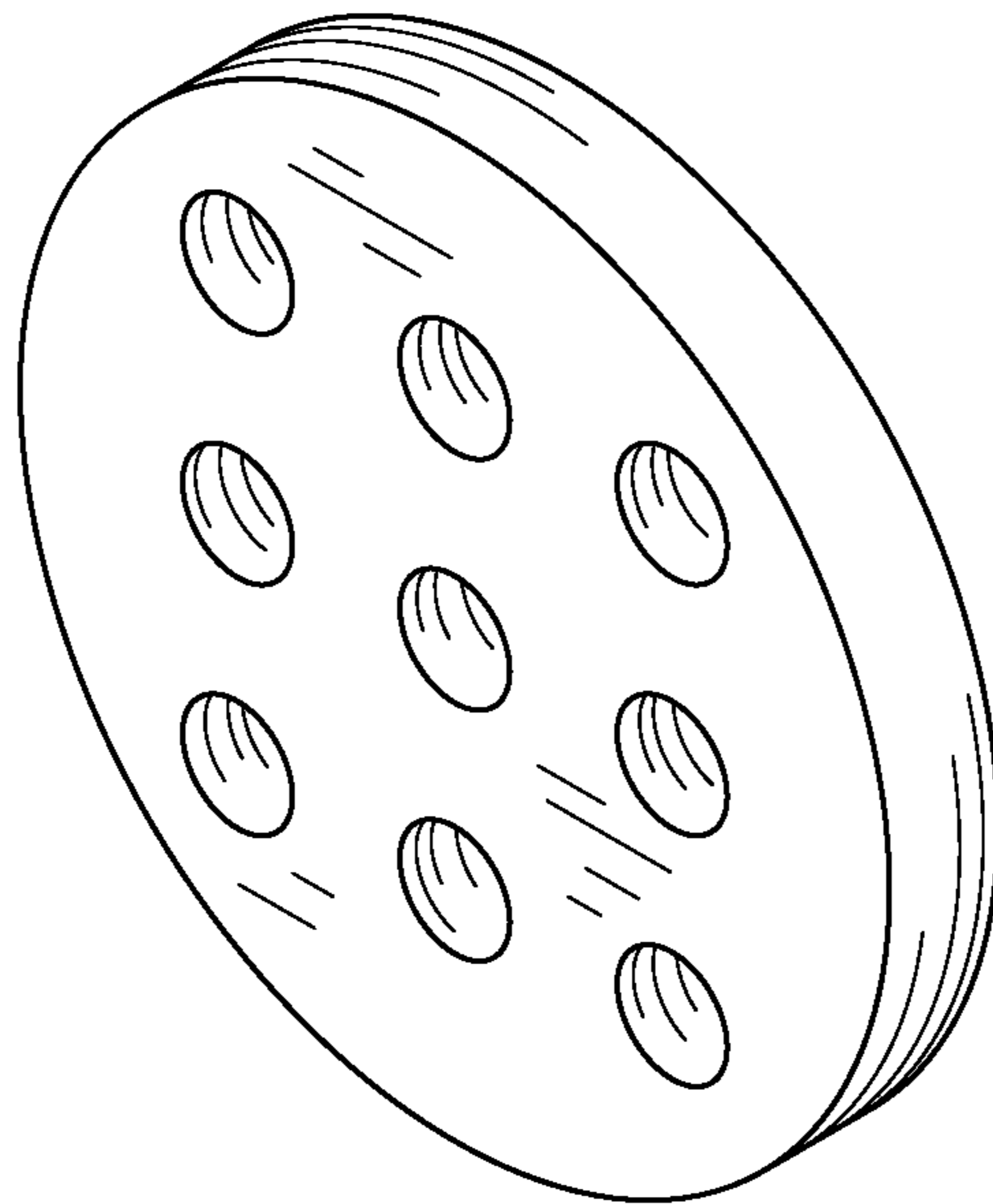


Fig. 19

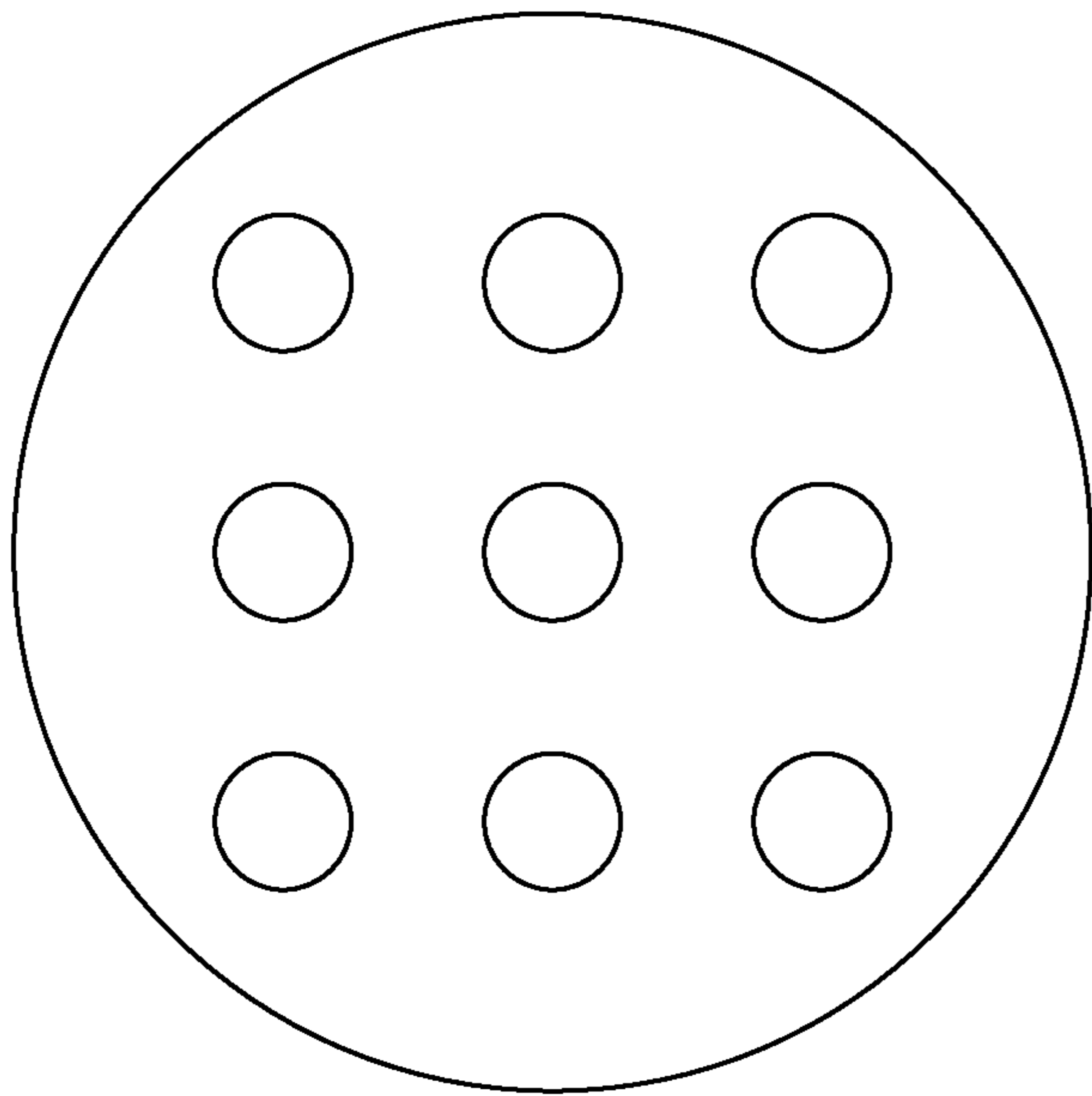


Fig. 20

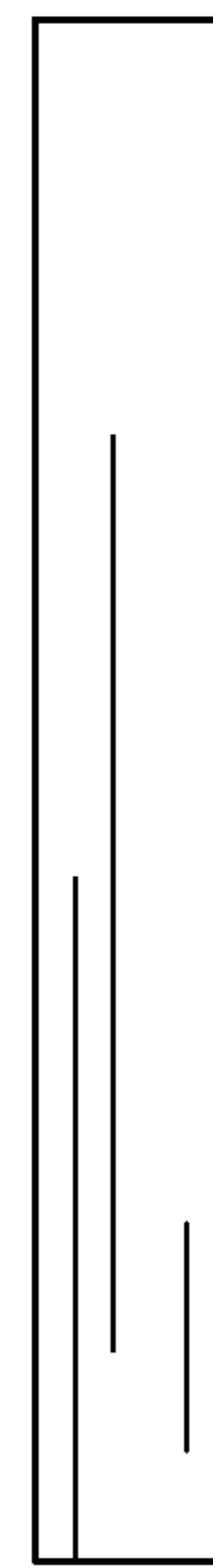


Fig. 21

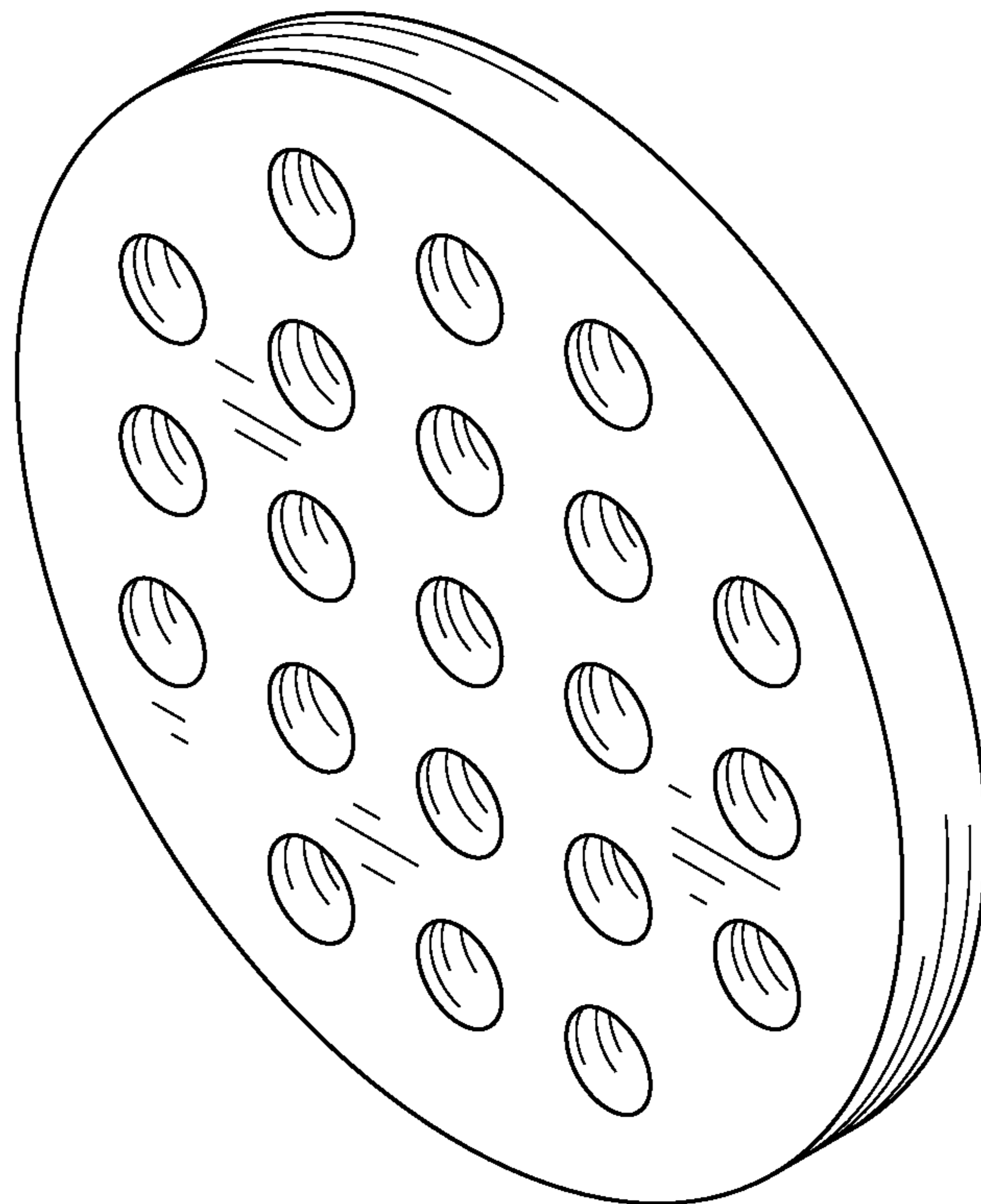


Fig. 22

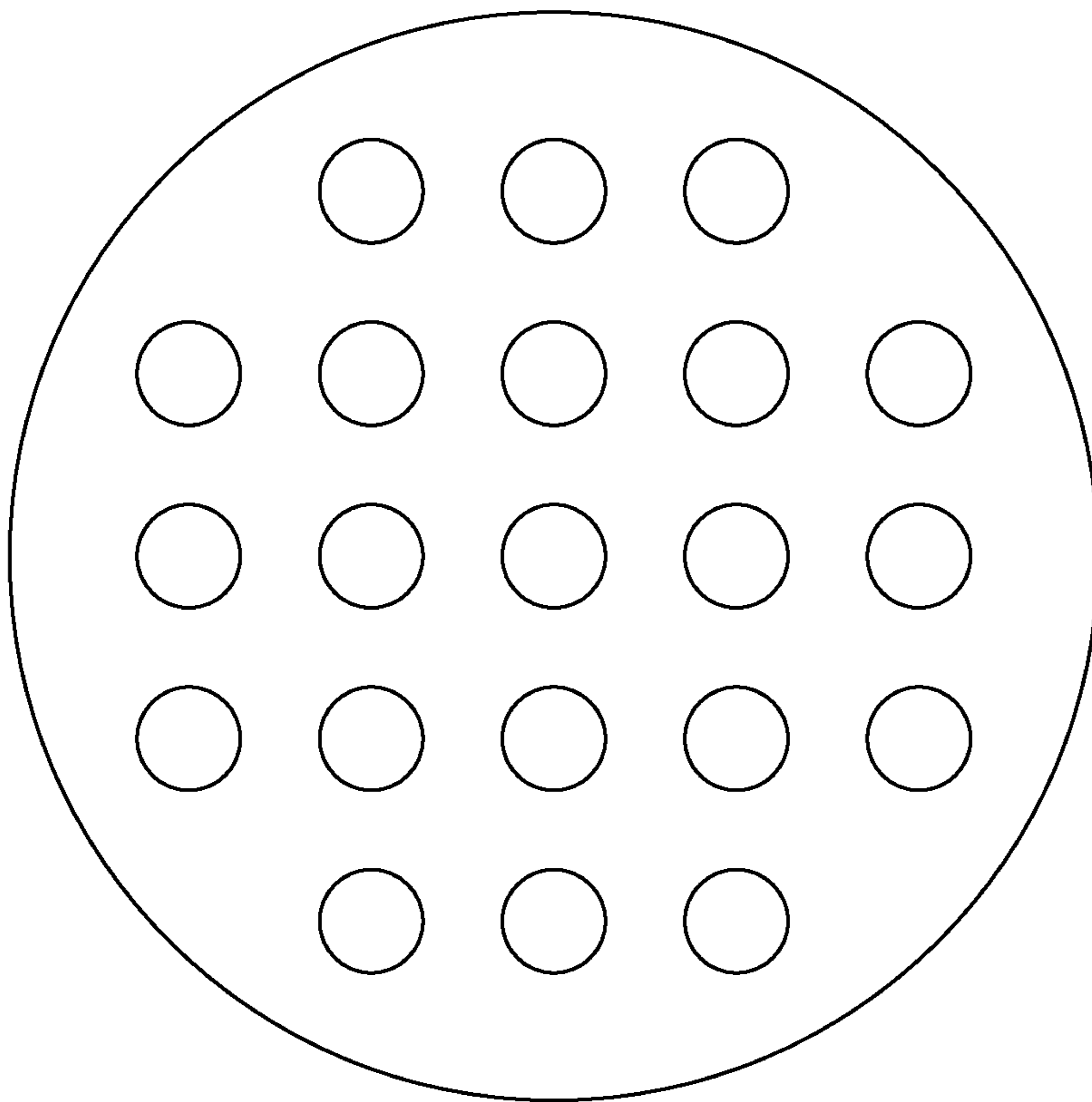


Fig. 23

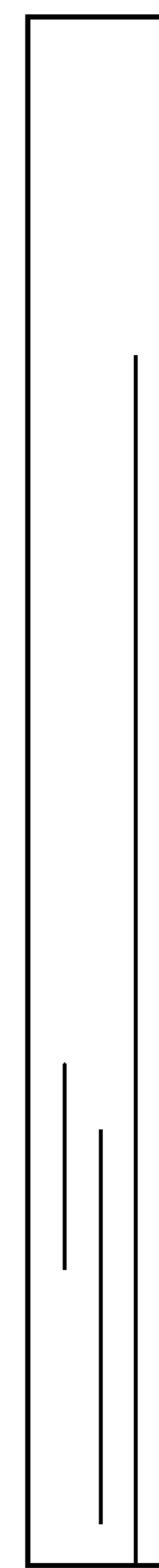


Fig. 24

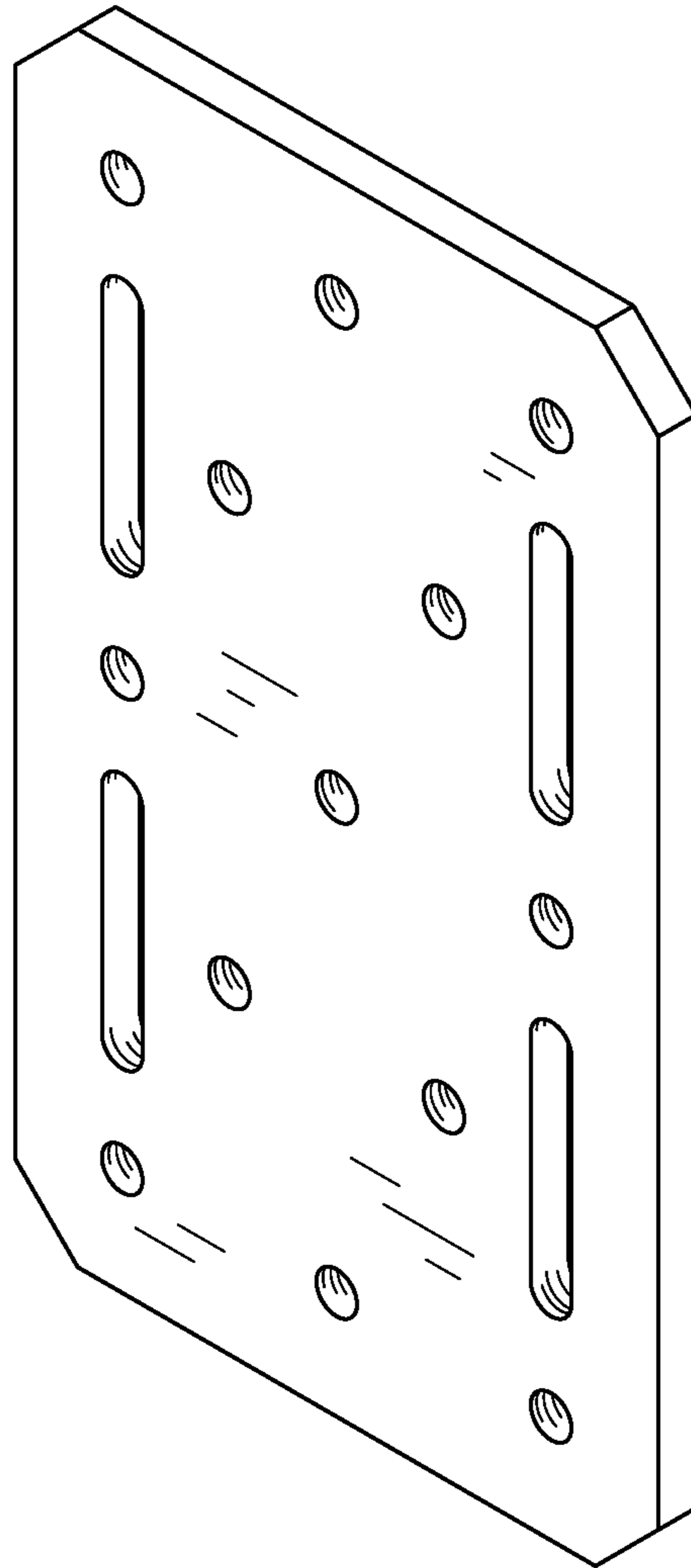


Fig. 25

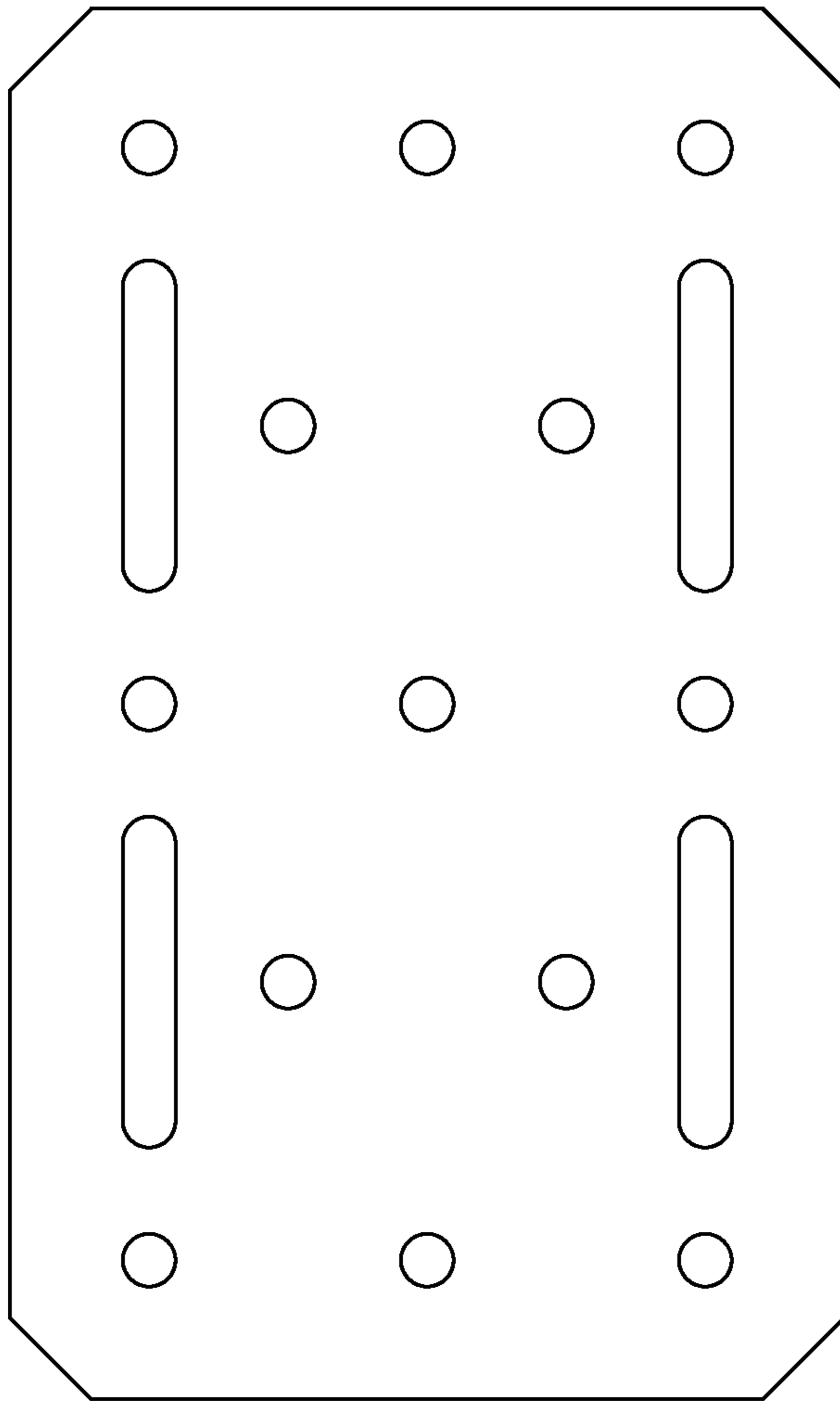


Fig. 26

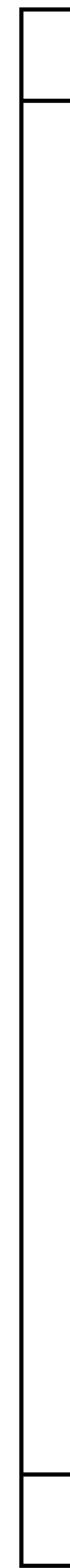


Fig. 27

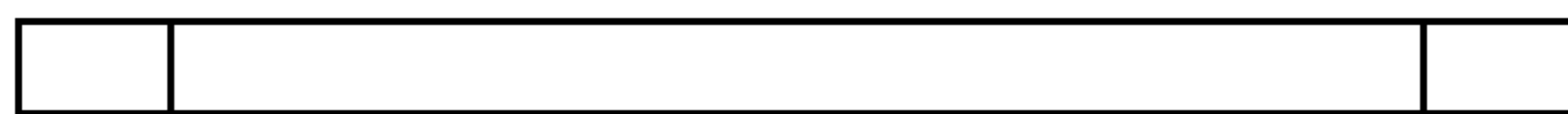


Fig. 28

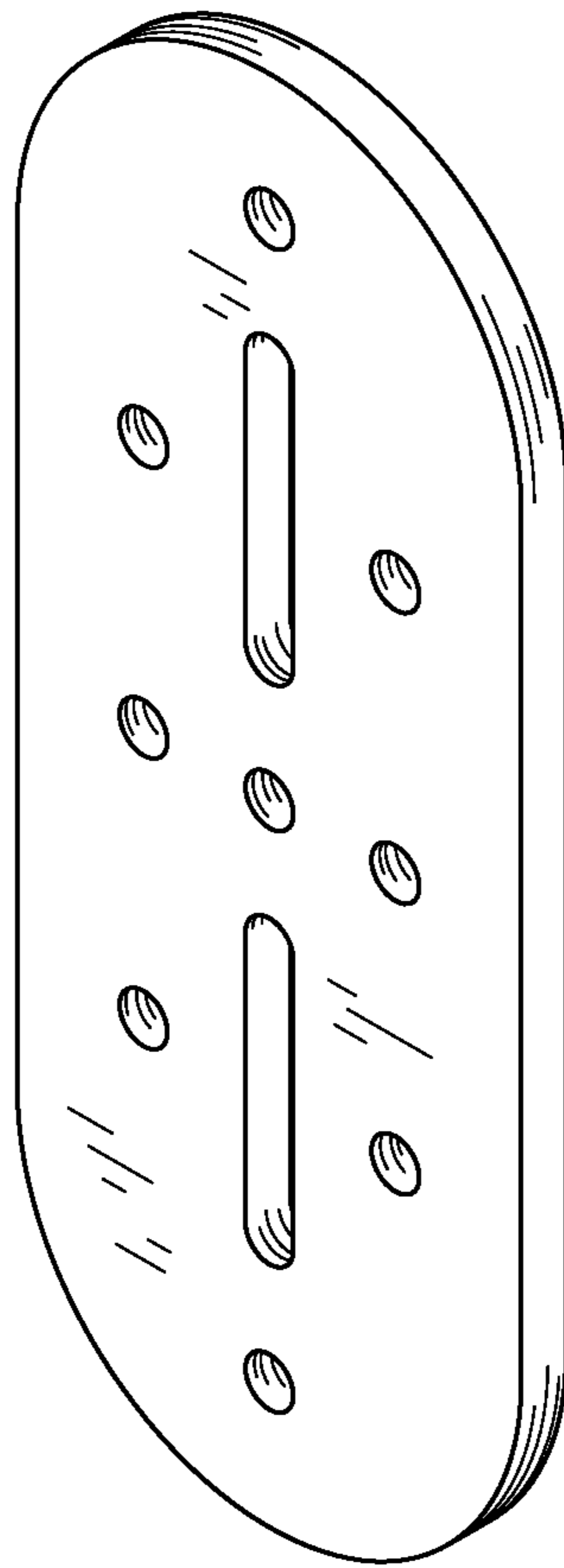


Fig. 29

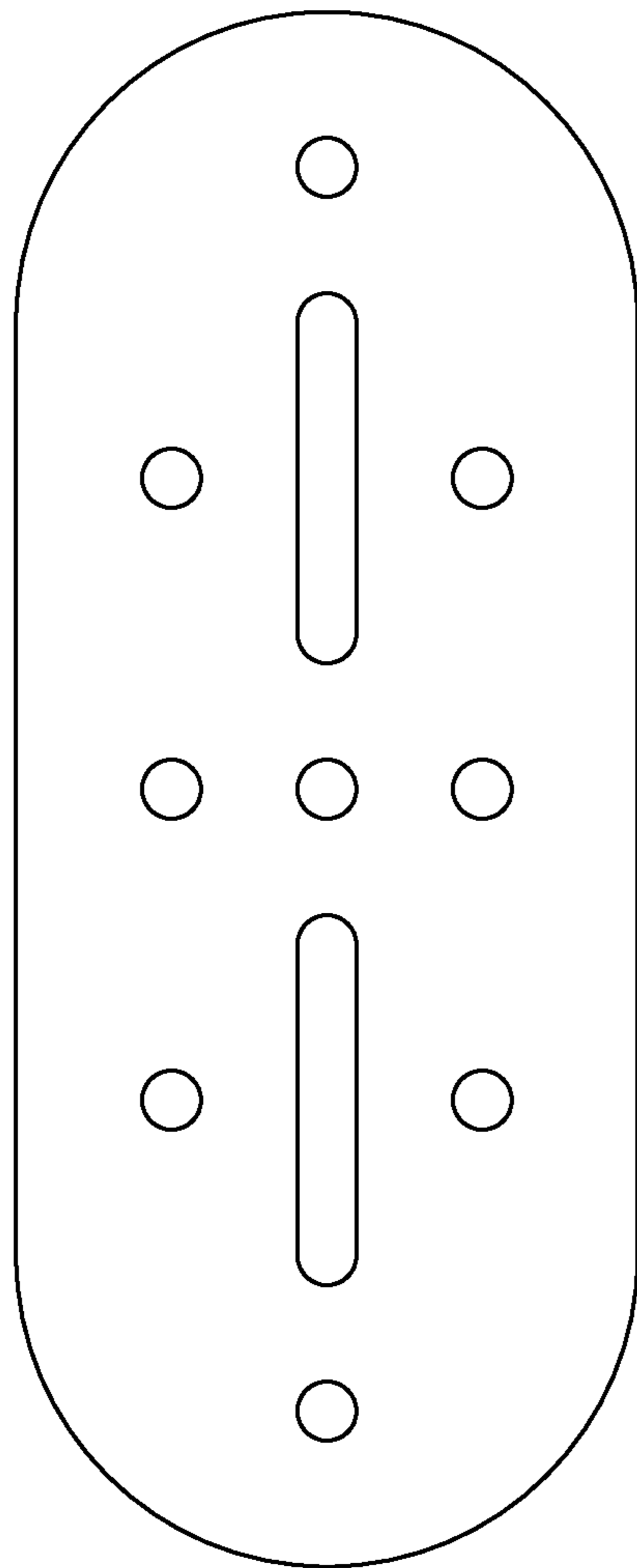


Fig. 30

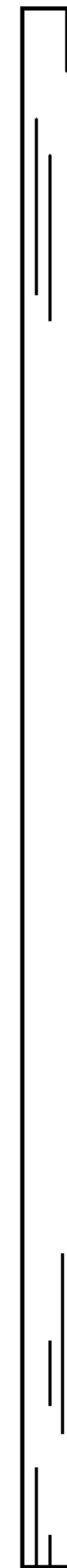


Fig. 31

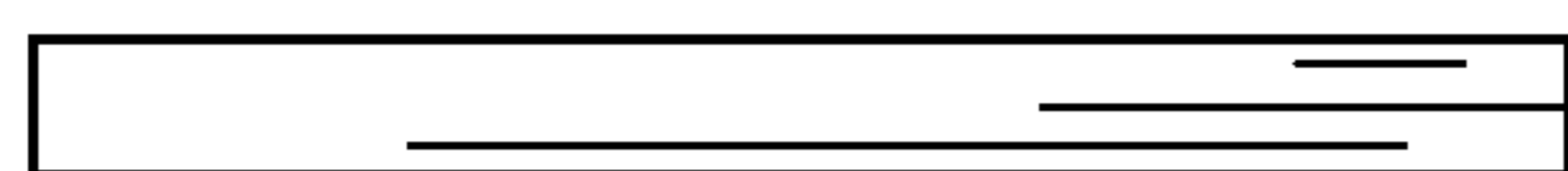


Fig. 32

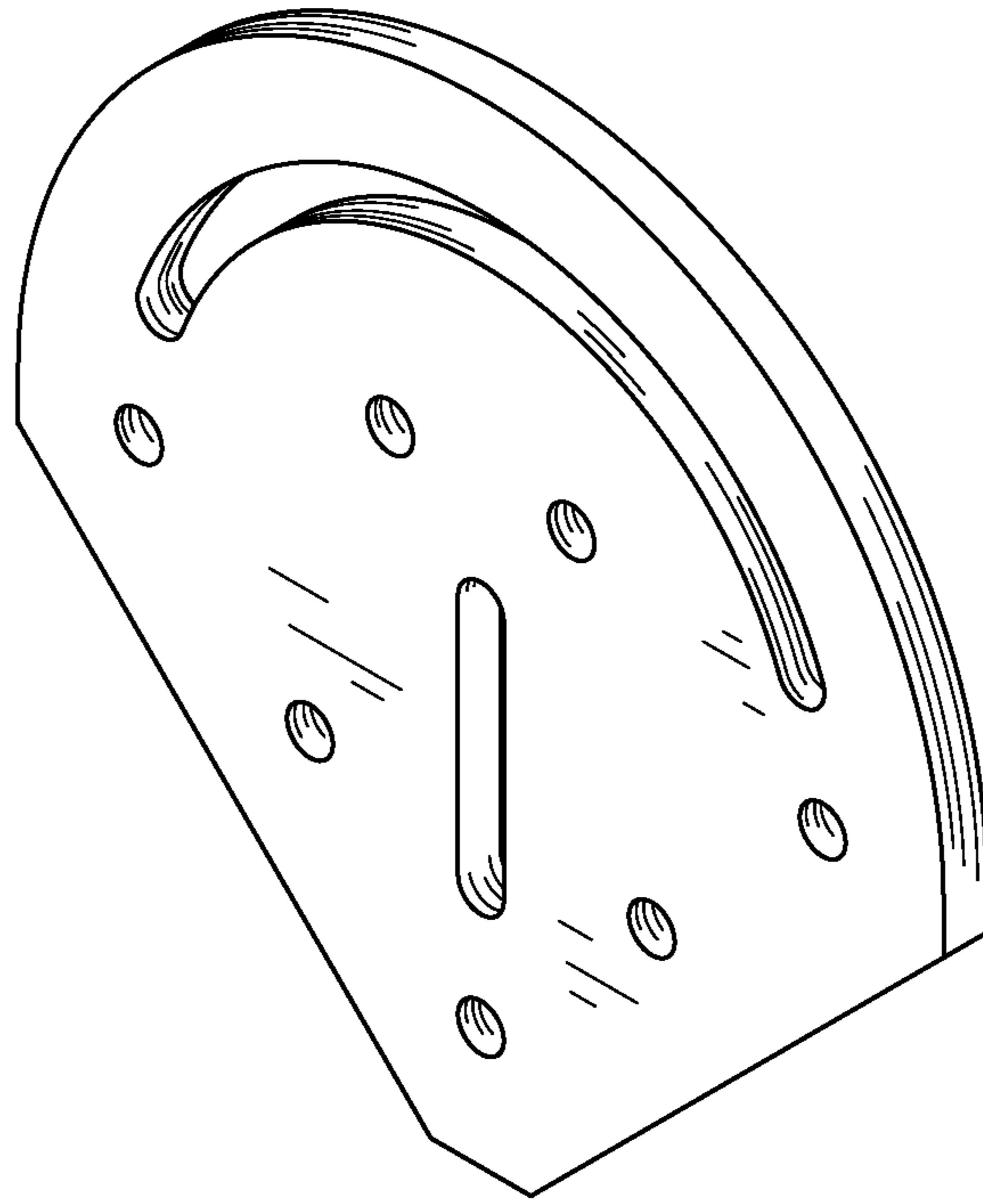


Fig. 33

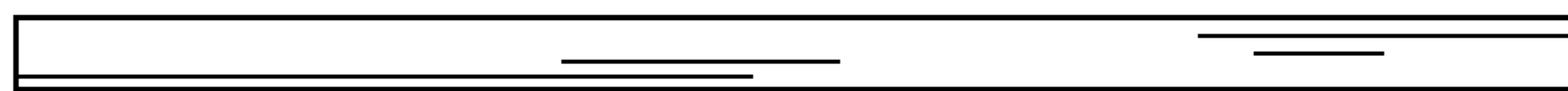


Fig. 34

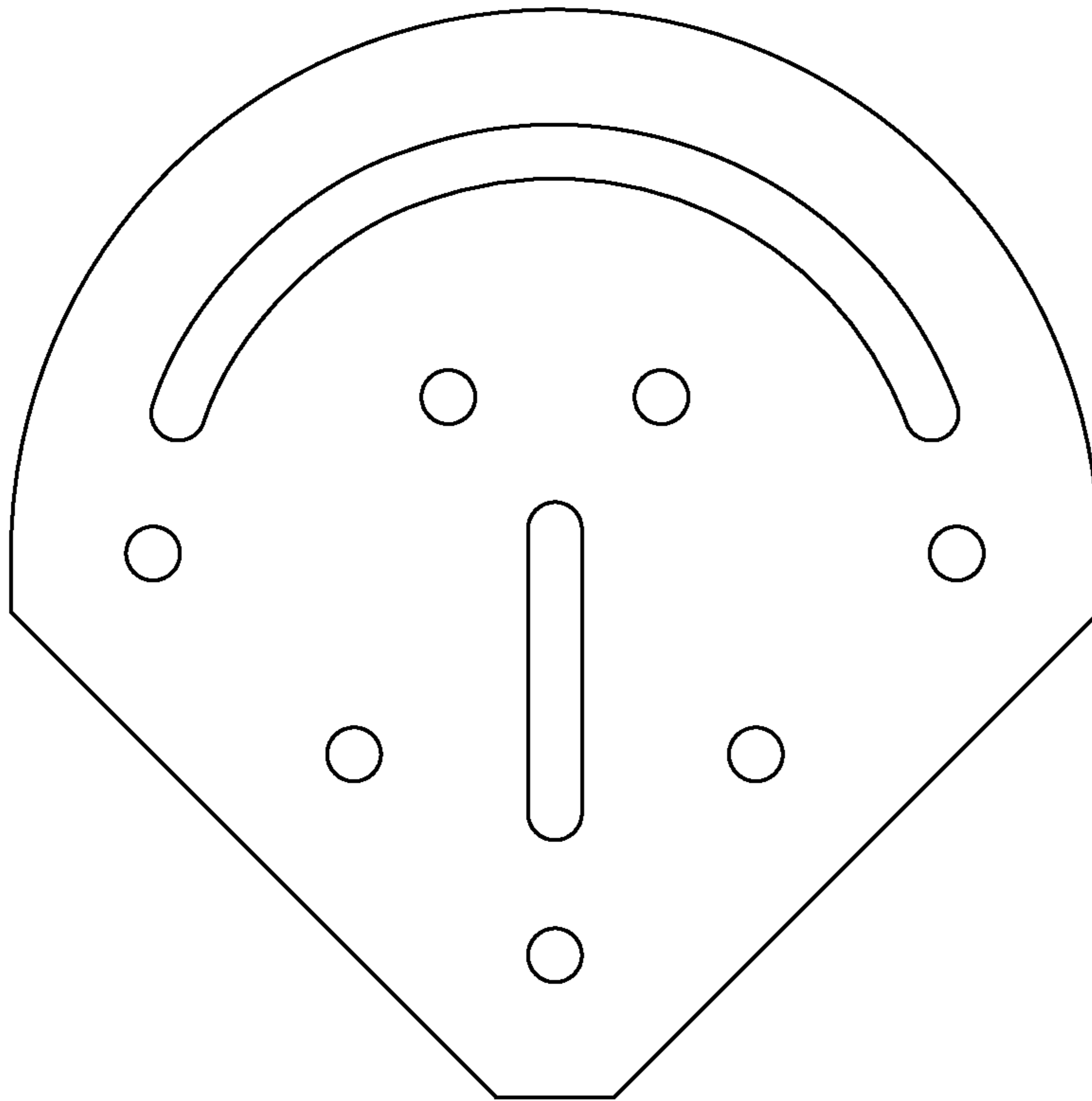


Fig. 35

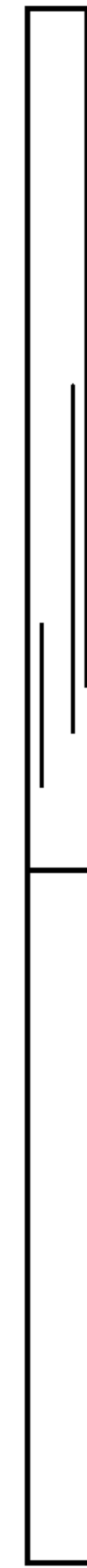


Fig. 36

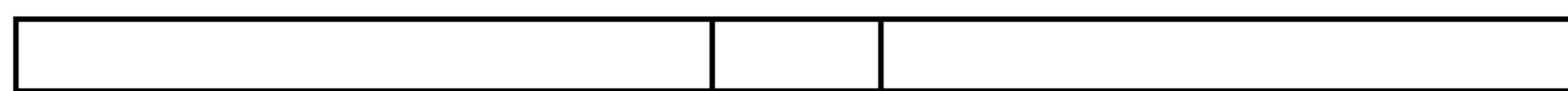


Fig. 37

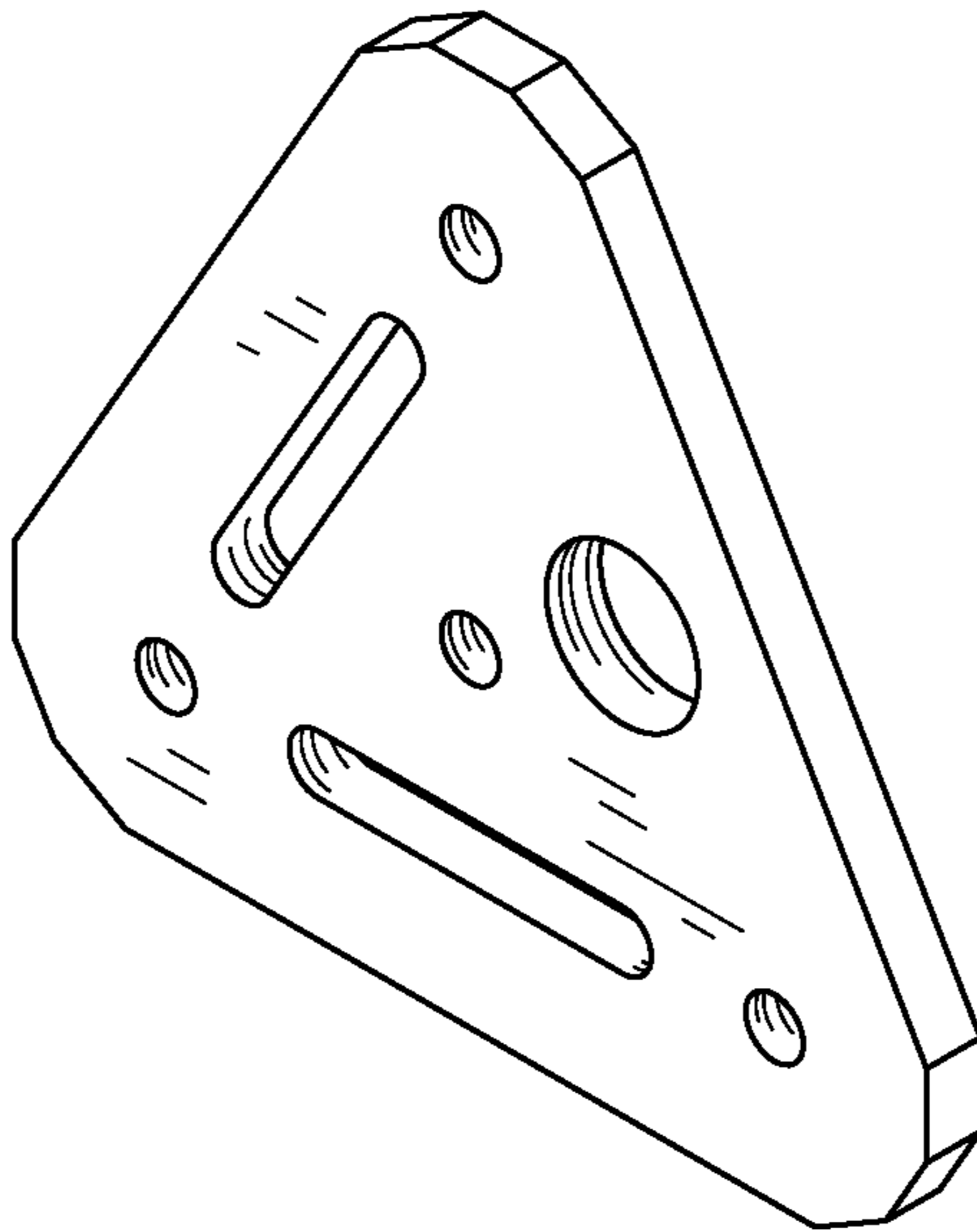


Fig. 38



Fig. 39

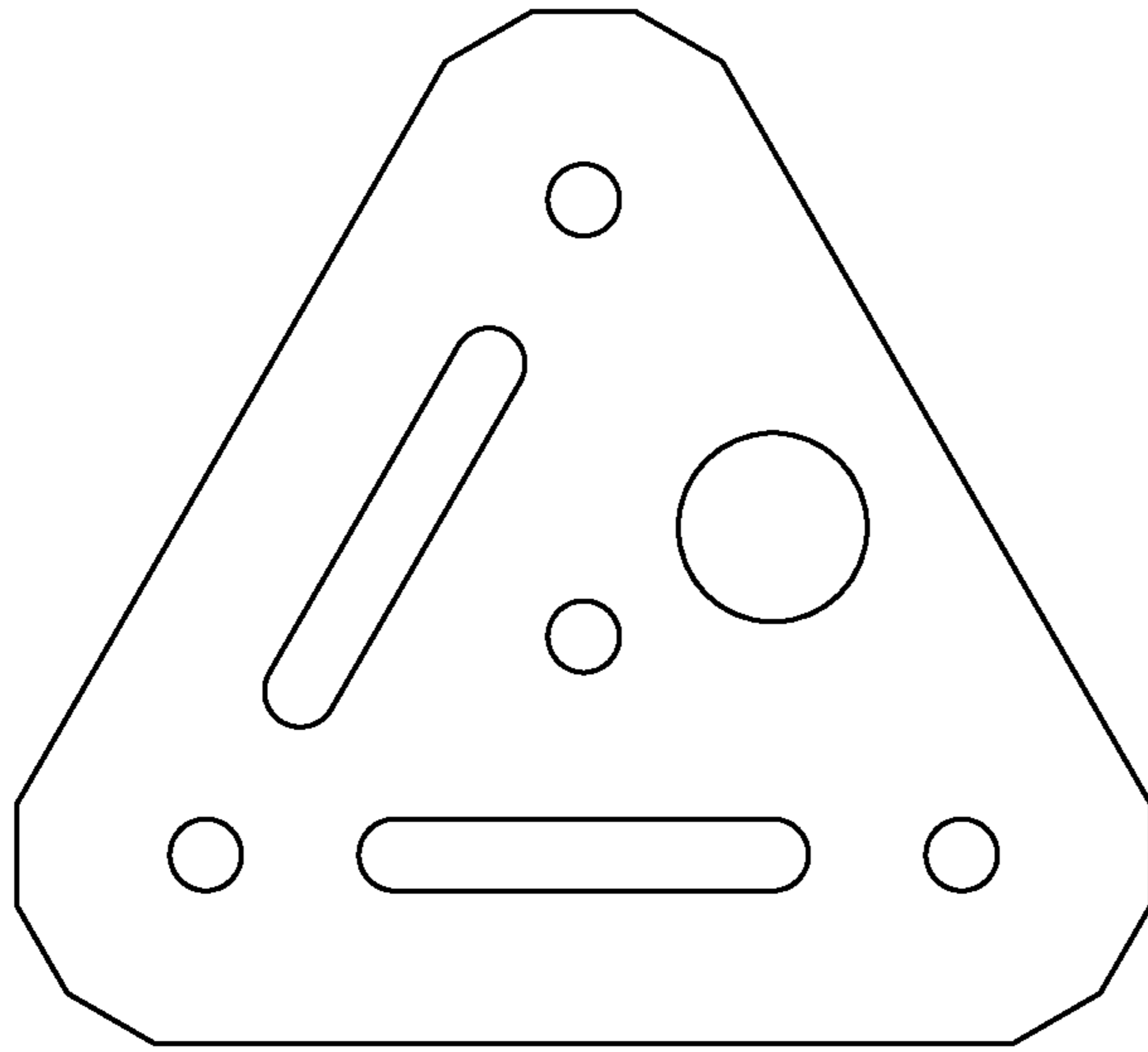


Fig. 40

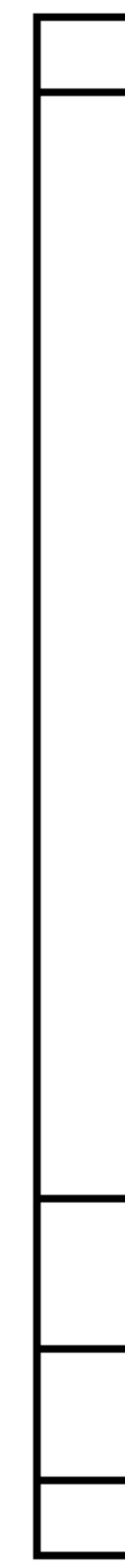


Fig. 41

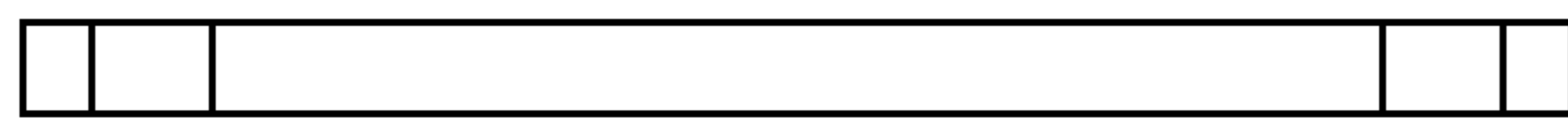


Fig. 42

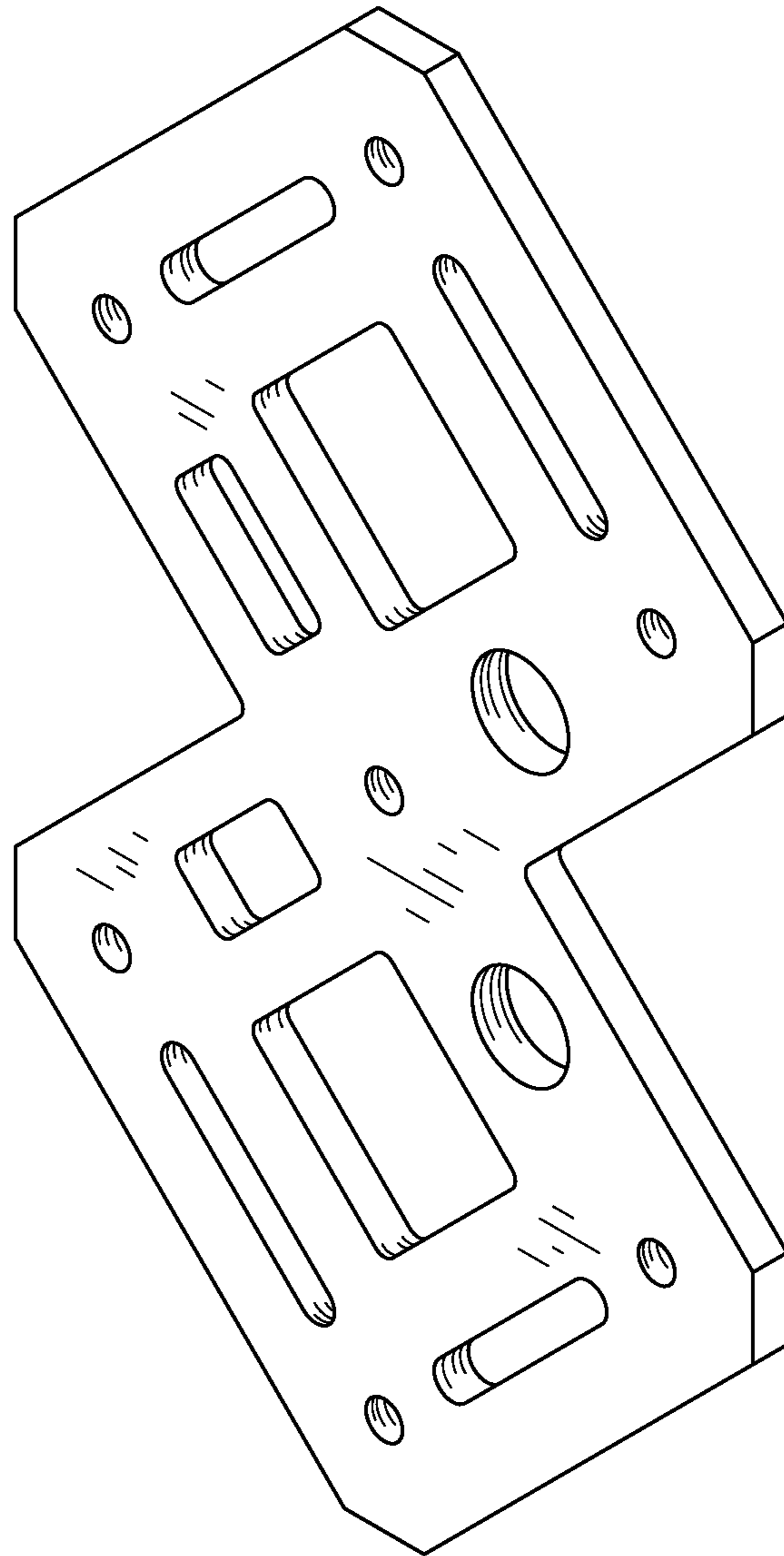


Fig. 43

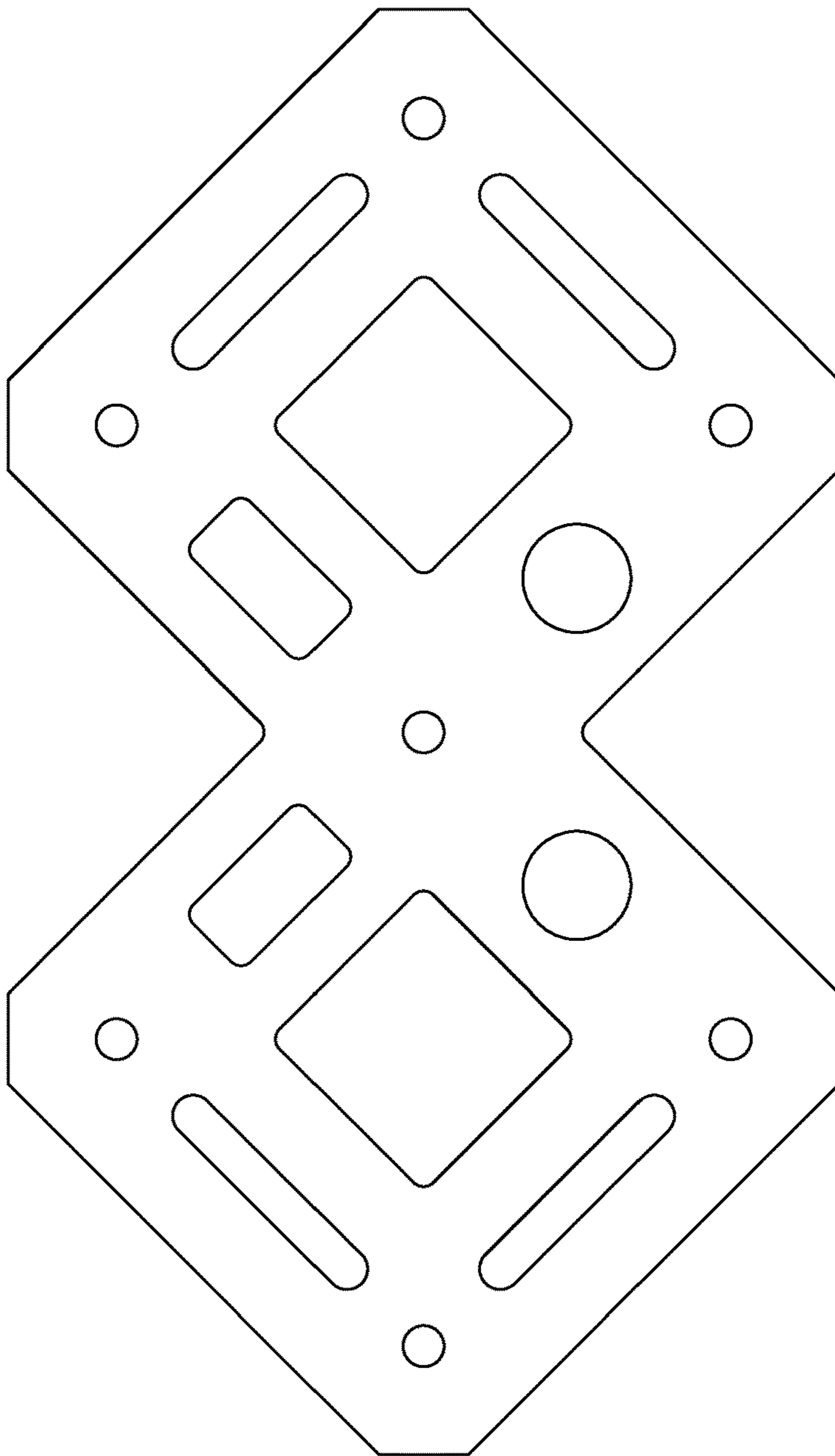


Fig. 44

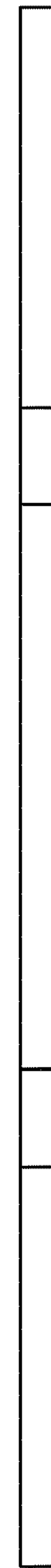


Fig. 45



Fig. 46

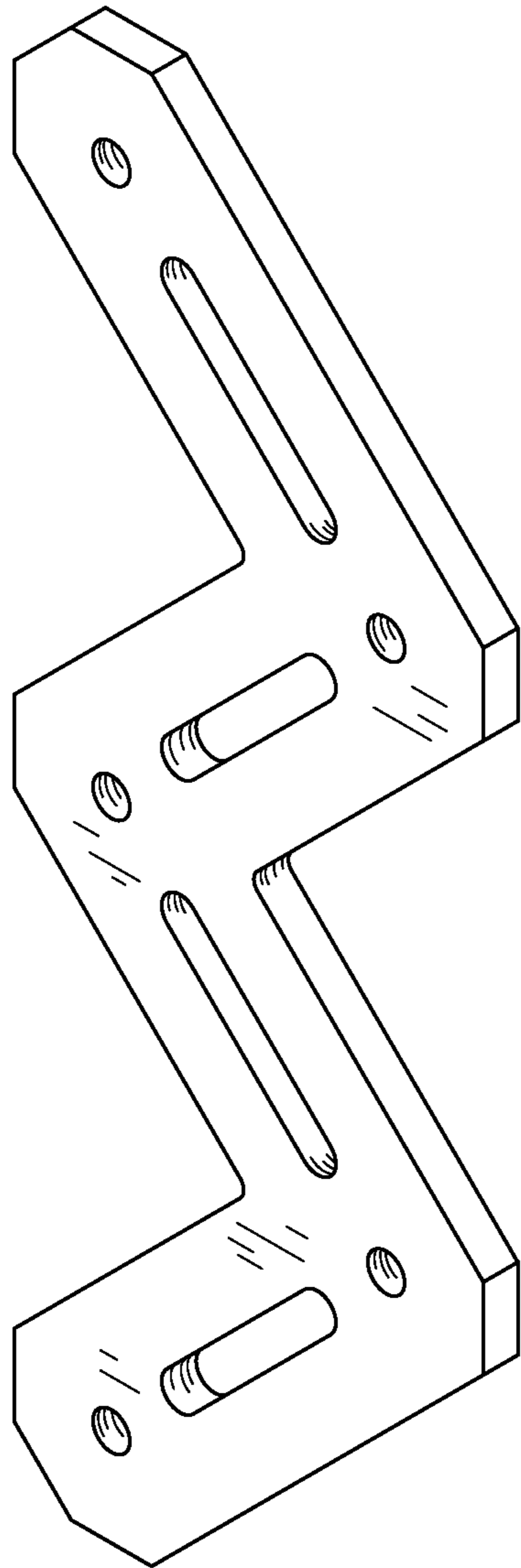


Fig. 47



Fig. 48

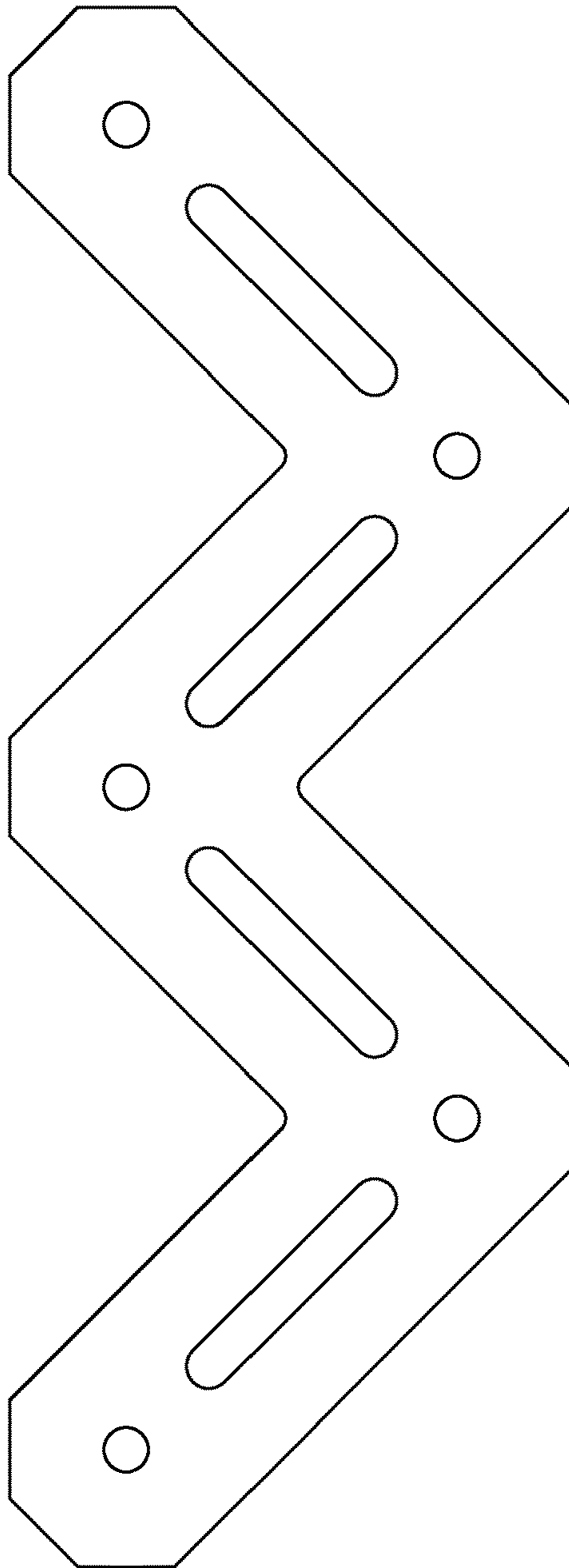


Fig. 49



Fig. 50



Fig. 51

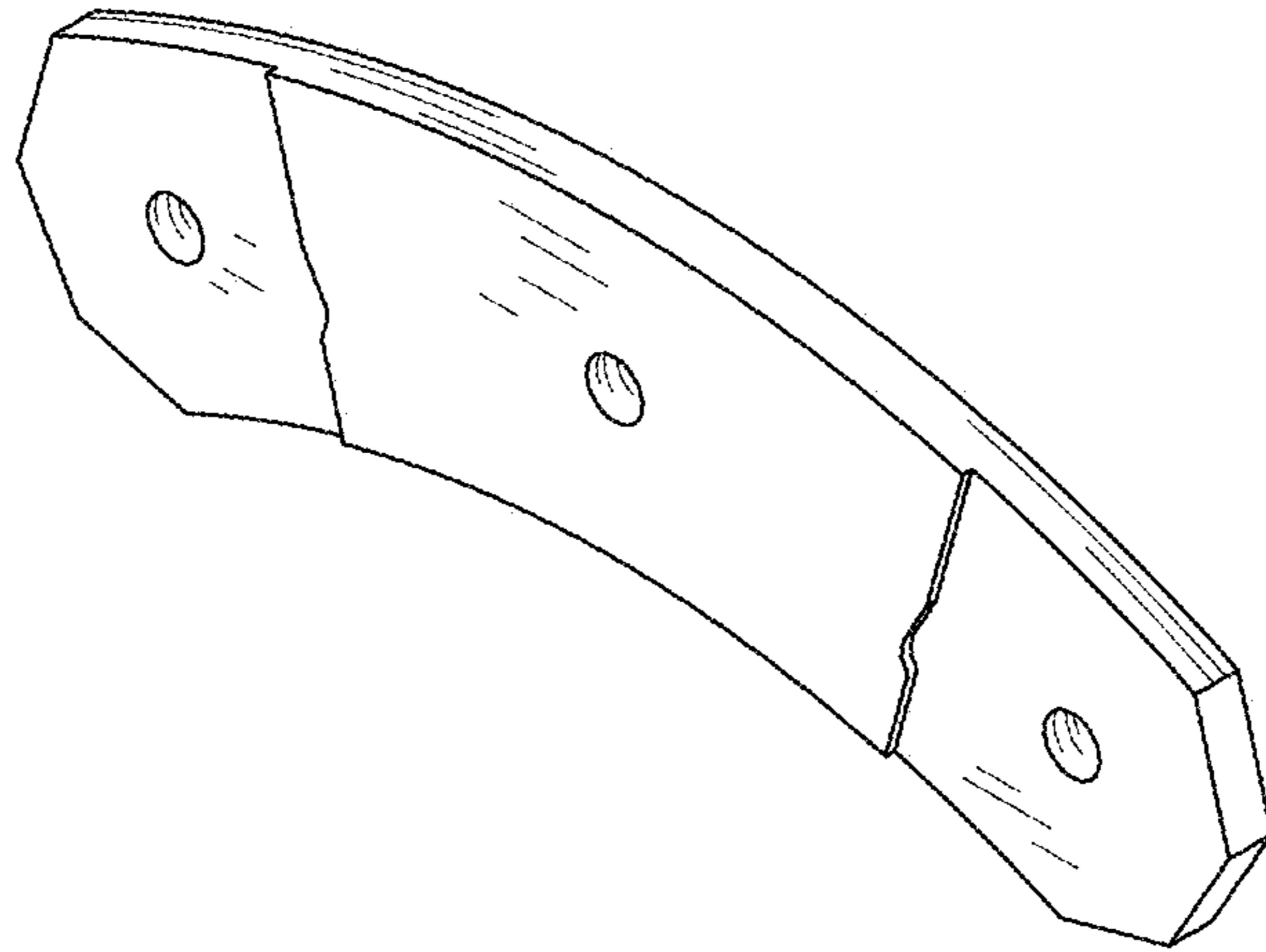


Fig. 52

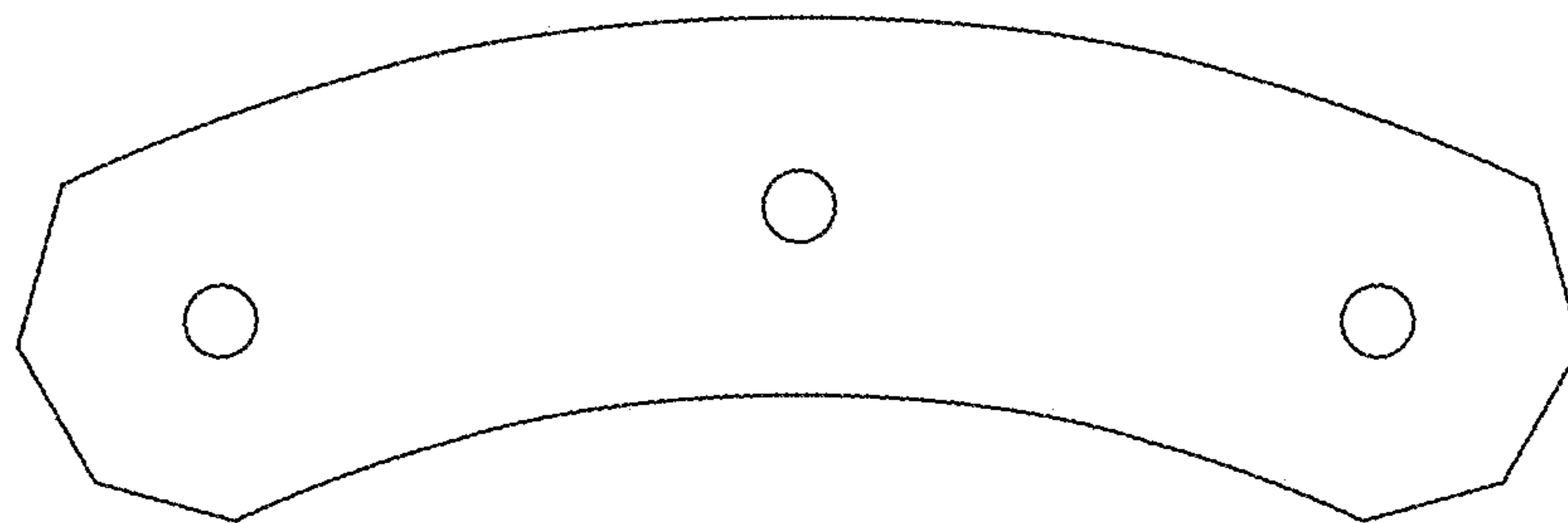


Fig. 53

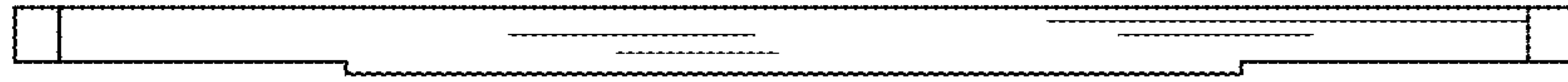


Fig. 54

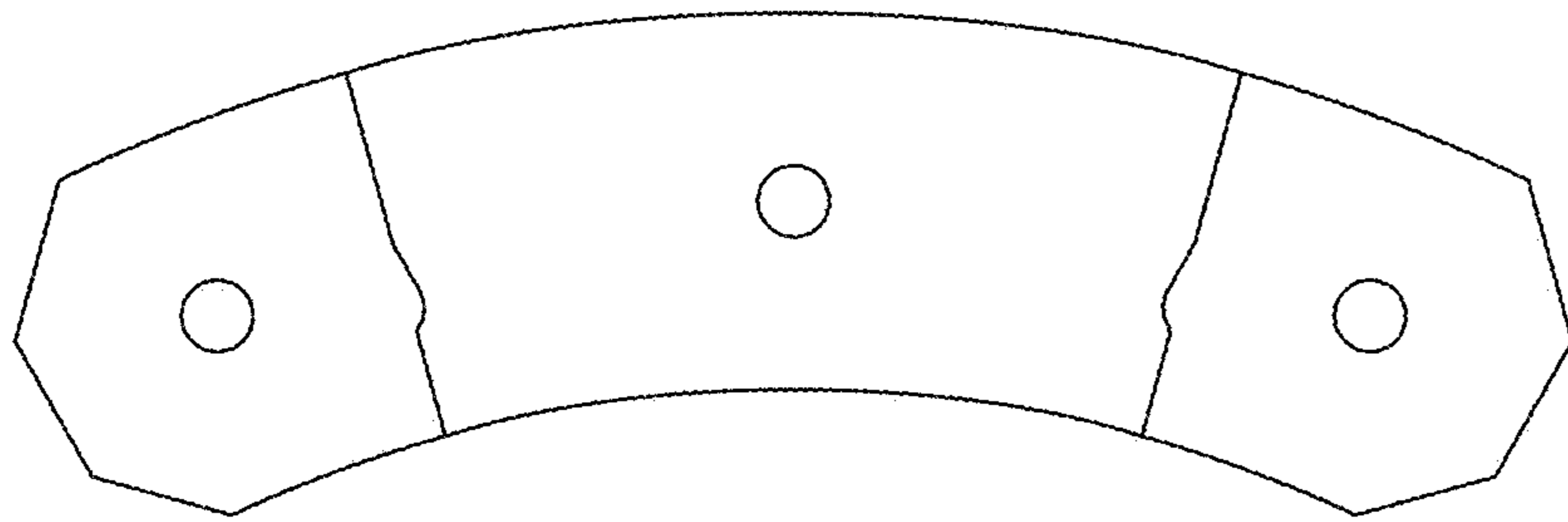


Fig. 55

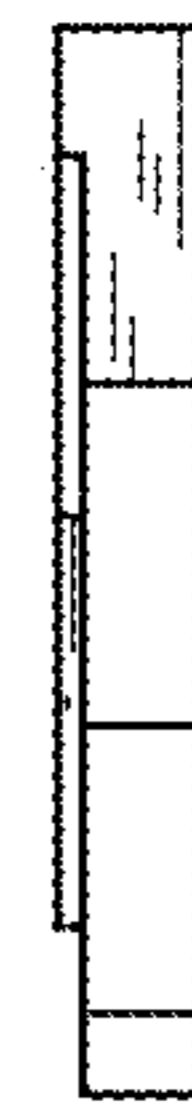


Fig. 56

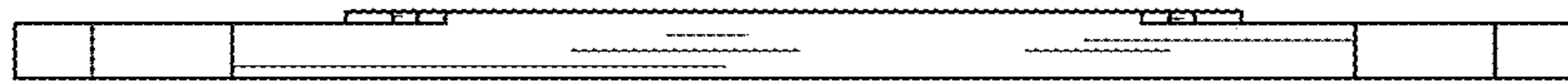


Fig. 57

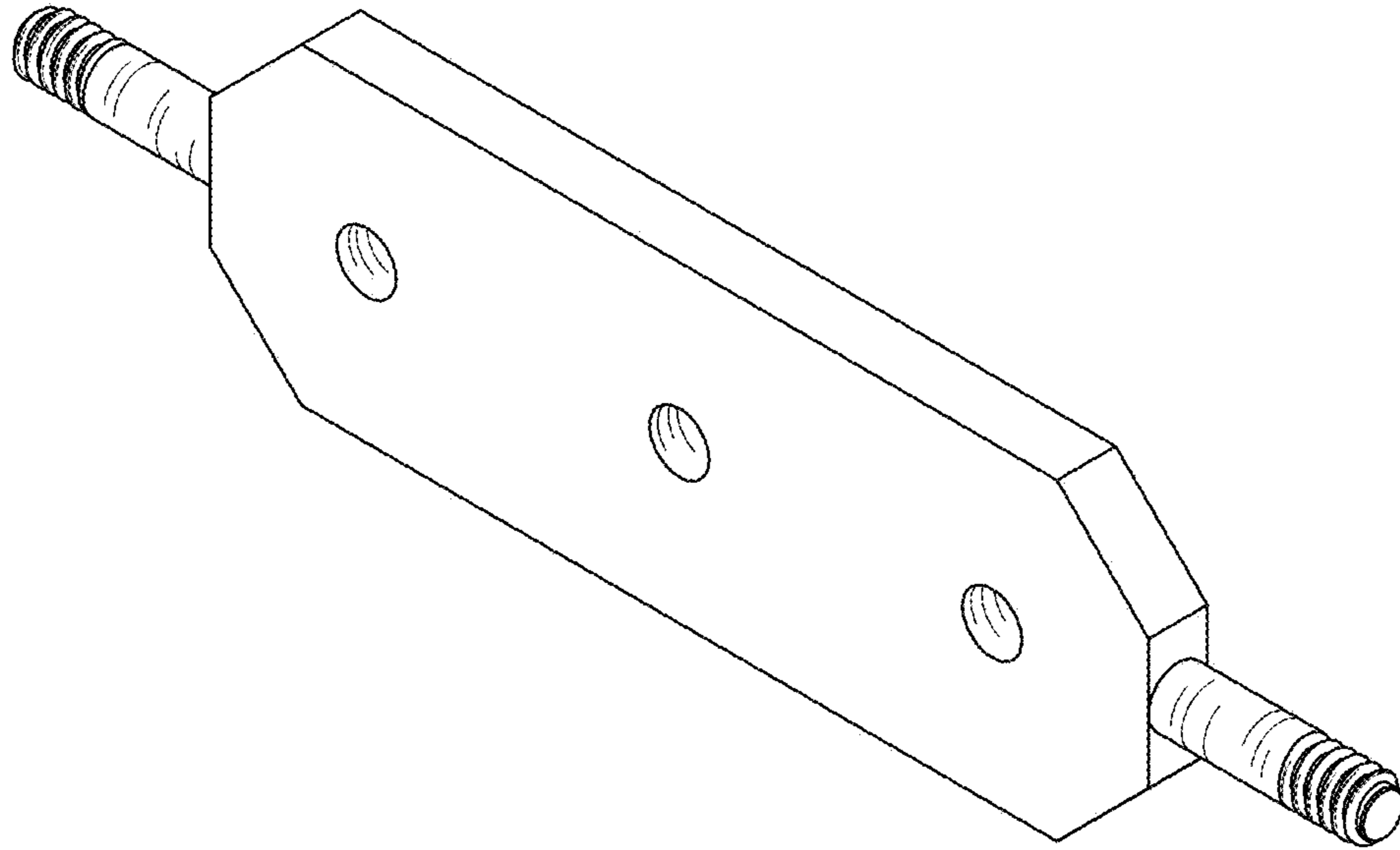


Fig. 58



Fig. 59

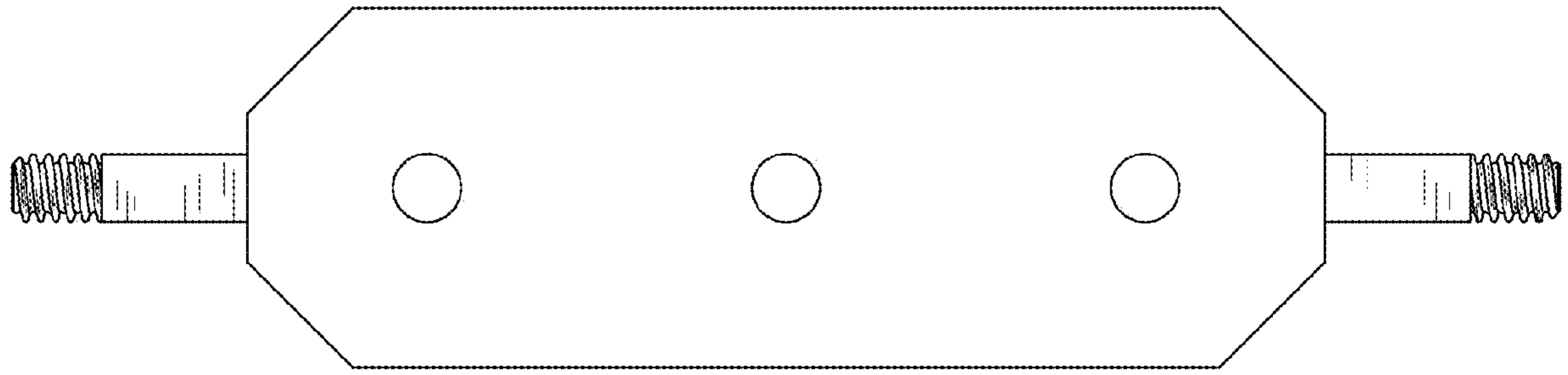


Fig. 60



Fig. 61

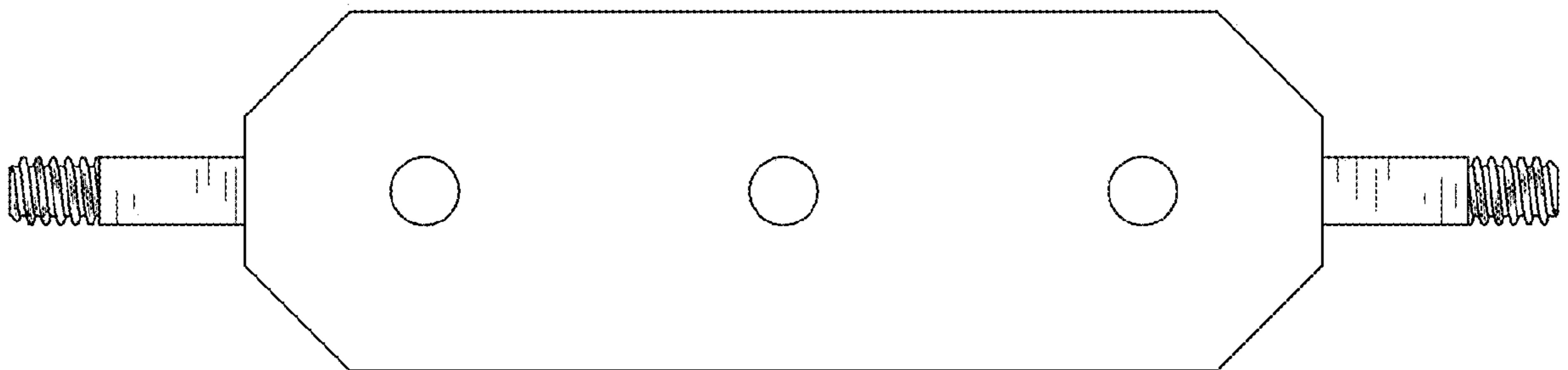


Fig. 62

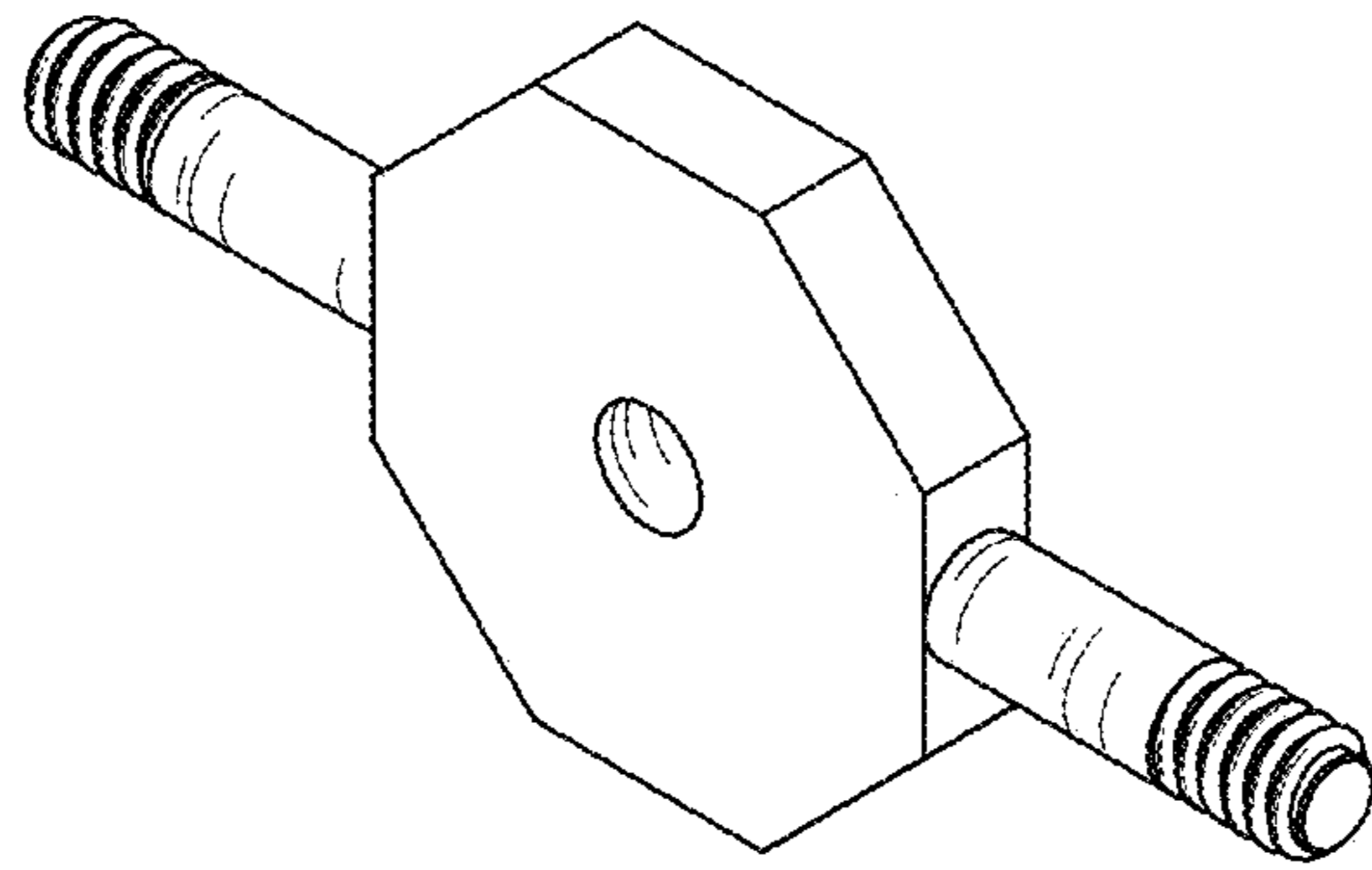


Fig. 63



Fig. 64

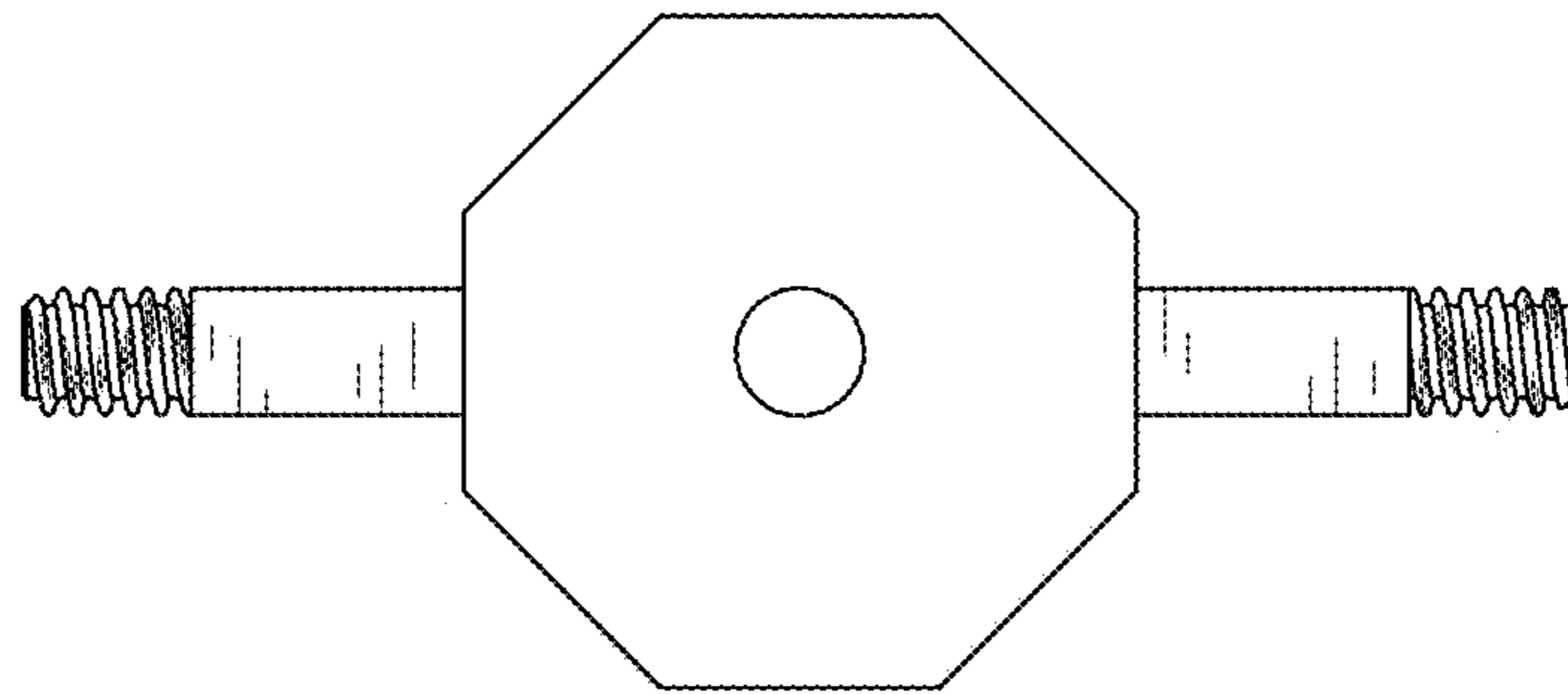


Fig. 65



Fig. 66

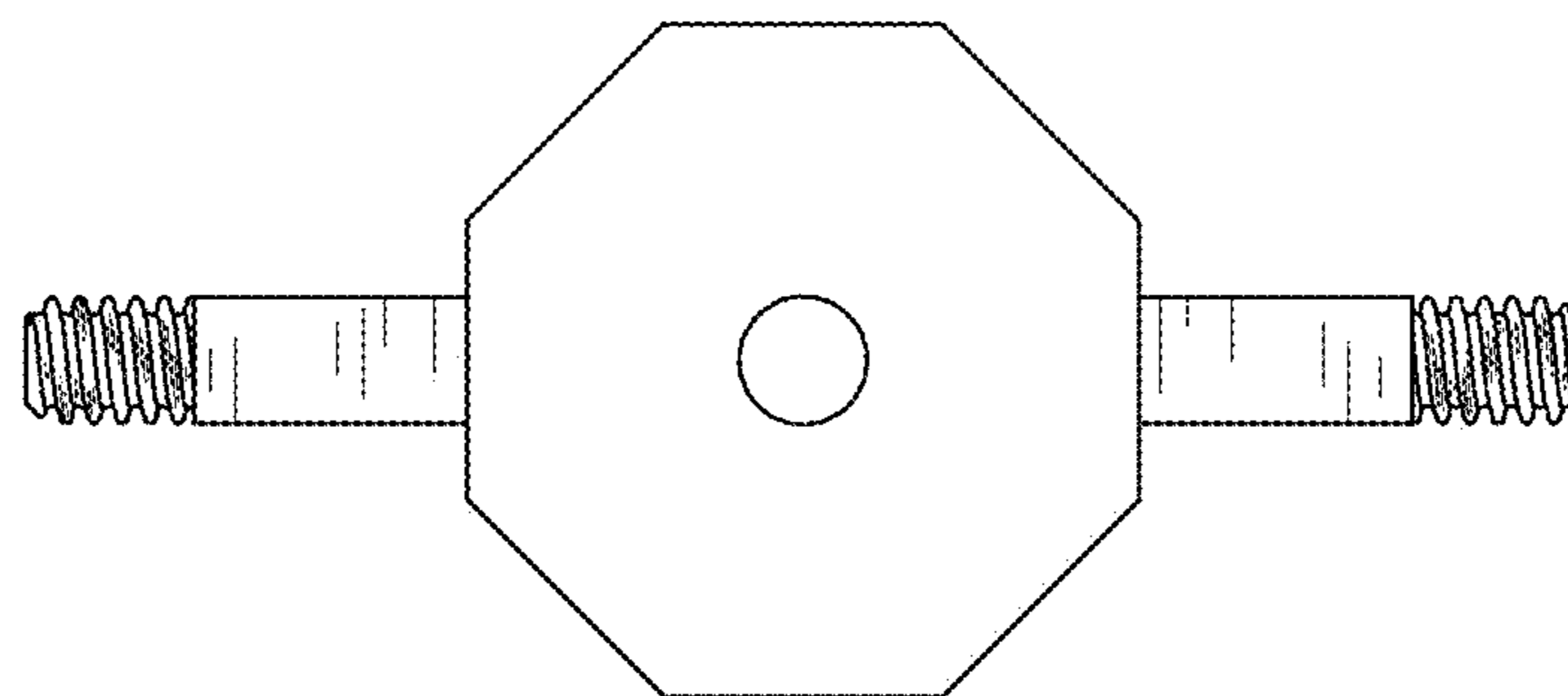


Fig. 67

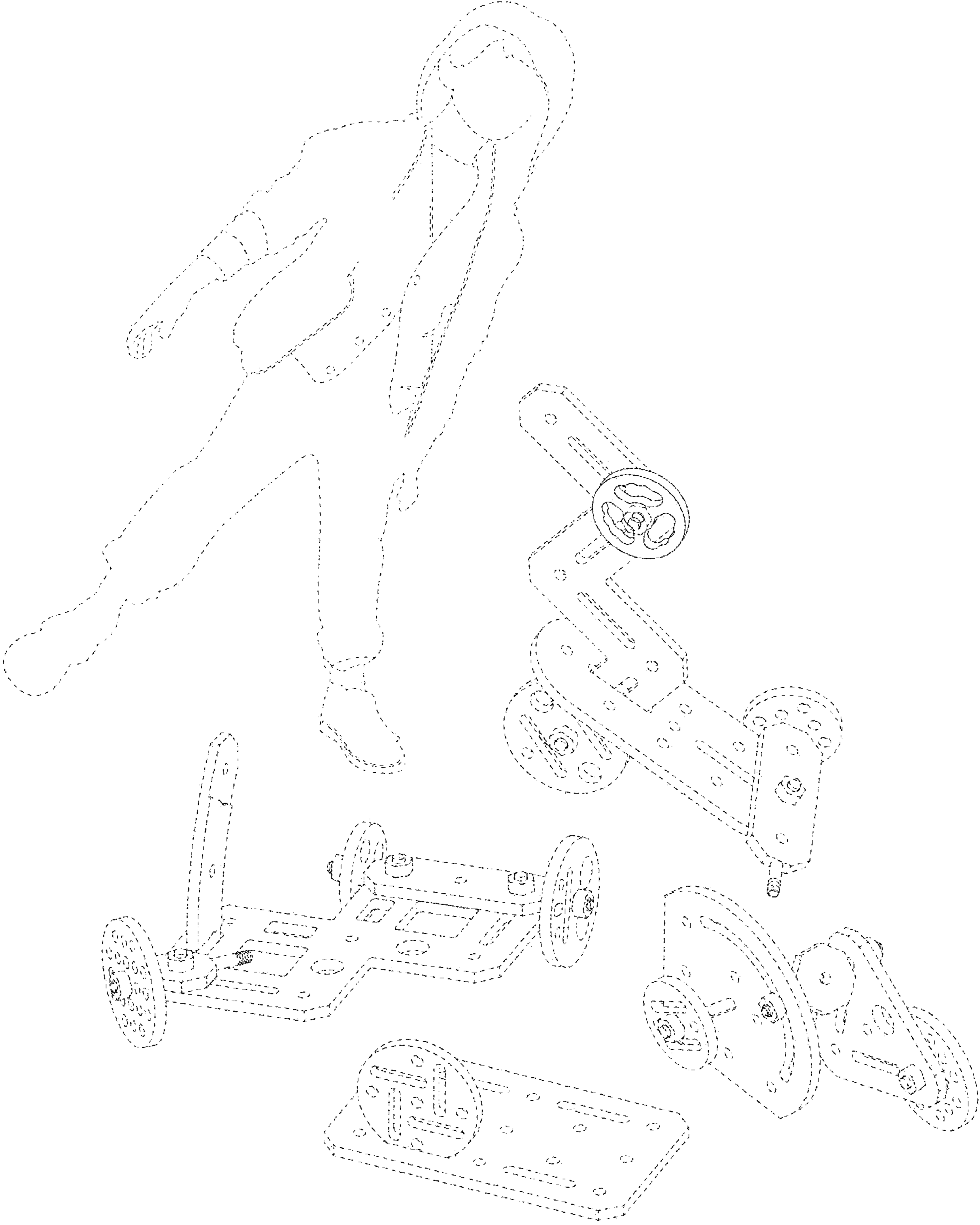


Fig. 68