



US00D869565S

(12) **United States Design Patent**  
**Glass**

(10) **Patent No.:** **US D869,565 S**

(45) **Date of Patent:** **\*\* Dec. 10, 2019**

- (54) **PADDLE BALL WITH OPPOSING BALLS**
- (71) Applicant: **Donald E. Glass**, Duluth, GA (US)
- (72) Inventor: **Donald E. Glass**, Duluth, GA (US)
- (\*\*) Term: **15 Years**
- (21) Appl. No.: **29/616,176**
- (22) Filed: **Sep. 2, 2017**
- (51) **LOC (12) Cl.** ..... **21-01**
- (52) **U.S. Cl.**  
USPC ..... **D21/466**
- (58) **Field of Classification Search**  
USPC ..... D21/309, 465, 466, 722, 723, 725,  
D21/729-732; 446/247, 254, 265, 266,  
446/399, 400, 418-421, 486, 490;  
273/329-335; 473/423-430, 506, 508,  
473/527-530, 576  
CPC ..... A63B 43/007; A63B 67/20; A63B 67/083;  
A63B 67/10; A63B 67/12; A63B 67/22;  
A63B 59/20; A63B 59/42; A63B 59/59;  
A63B 59/80; A63B 2060/002; A63F  
2250/485; A63F 7/382; A63H 1/00; A63H  
5/00; A63H 33/00; A63H 33/18  
See application file for complete search history.

(56) **References Cited**

**U.S. PATENT DOCUMENTS**

- 1,606,061 A 11/1926 Dansby
- 2,105,379 A \* 1/1938 Smith ..... A63B 67/22  
273/329
- 2,112,316 A \* 3/1938 Turner ..... A63H 33/00  
359/840
- 2,159,817 A \* 5/1939 Pierce ..... A63B 67/20  
273/330
- 2,196,253 A \* 4/1940 Di Bella ..... A63B 67/22  
473/507
- 2,250,802 A \* 7/1941 Johnston ..... A63B 67/20  
235/91 PR

- 2,882,054 A \* 4/1959 Hilder ..... A63B 67/22  
473/508
- 2,950,113 A 8/1960 Barnack
- 2,978,248 A \* 4/1961 Harris ..... A63B 67/20  
273/330
- 3,093,376 A 6/1963 Terry
- 3,325,167 A \* 6/1967 Wolpert, Jr. .... A63B 67/22  
273/329
- 3,612,530 A \* 10/1971 Smith ..... A63B 67/22  
273/329
- 3,693,286 A 9/1972 Marcotti
- D340,271 S \* 10/1993 Chou ..... D21/731
- 5,261,673 A \* 11/1993 Miller ..... A63B 60/10  
473/514
- D343,664 S \* 1/1994 Maguire ..... D21/731
- 5,316,296 A \* 5/1994 Ben-Zirma ..... A63B 24/0021  
473/521

(Continued)

**FOREIGN PATENT DOCUMENTS**

- DE 202014104453 U1 \* 10/2014 ..... A63H 33/18
- FR 2895913 A1 \* 7/2007 ..... A63B 59/80
- WO WO-9303800 A1 \* 3/1993 ..... A63B 51/04

*Primary Examiner* — Catherine A Tuttle

(74) *Attorney, Agent, or Firm* — LaMorte & Associates, P.C.

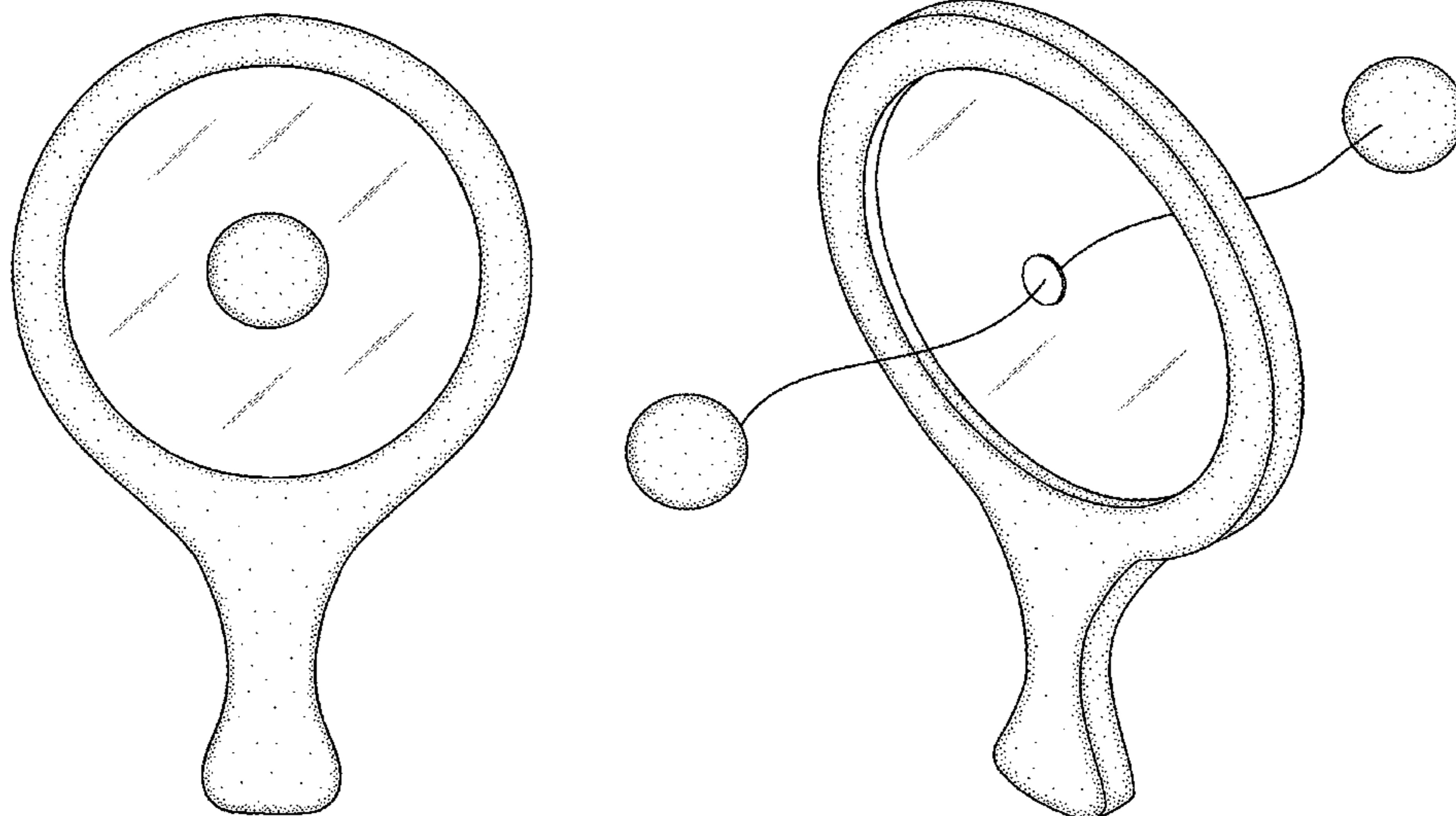
(57) **CLAIM**

The ornamental design for the paddle ball with opposing balls, as shown and described.

**DESCRIPTION**

FIG. 1 is a front view of the paddle ball with opposing balls showing my new design;  
 FIG. 2 is a rear view thereof;  
 FIG. 3 is a right side view thereof;  
 FIG. 4 is a left side view thereof;  
 FIG. 5 is a top view thereof;  
 FIG. 6 is a bottom view thereof; and,  
 FIG. 7 is a perspective view thereof.

**1 Claim, 7 Drawing Sheets**



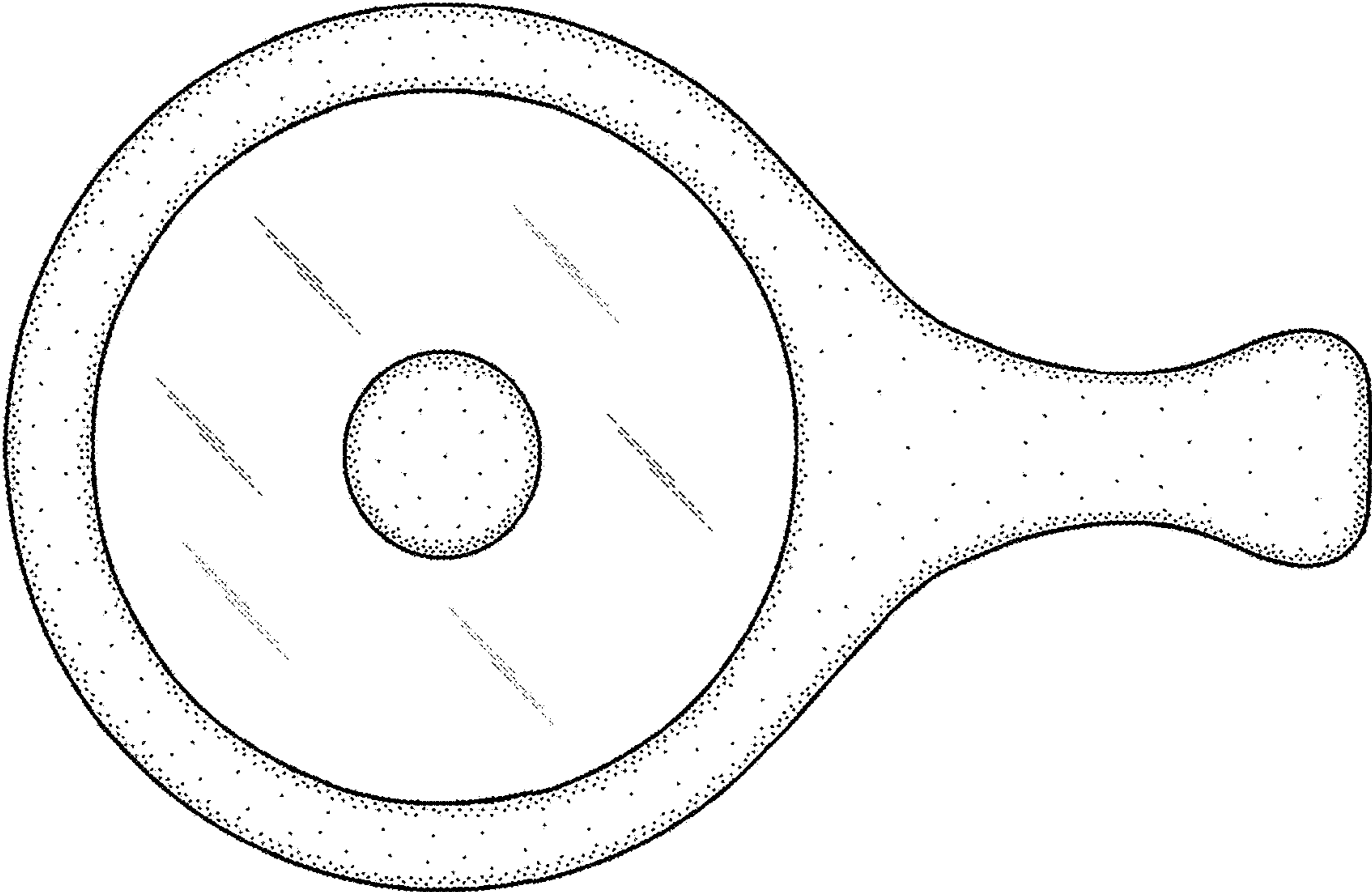
(56)

**References Cited**

U.S. PATENT DOCUMENTS

5,326,097 A \* 7/1994 Yu ..... A63B 60/08  
473/528  
5,951,014 A \* 9/1999 Nadel ..... A63B 59/00  
273/330  
6,042,446 A \* 3/2000 Louis ..... A63B 67/08  
446/170  
D451,559 S \* 12/2001 Miles ..... D21/466  
6,471,564 B1 \* 10/2002 Coleman ..... A63B 67/20  
273/330  
D578,578 S \* 10/2008 Moore ..... D21/405  
D778,354 S \* 2/2017 Shlonsky ..... D19/1  
2003/0134702 A1 \* 7/2003 Cooper ..... A63B 49/08  
473/521  
2006/0151956 A1 7/2006 Reynolds  
2008/0167145 A1 7/2008 Madzuma  
2011/0111891 A1 \* 5/2011 Miramontes ..... A63B 67/083  
473/474

\* cited by examiner



*FIG. 1*

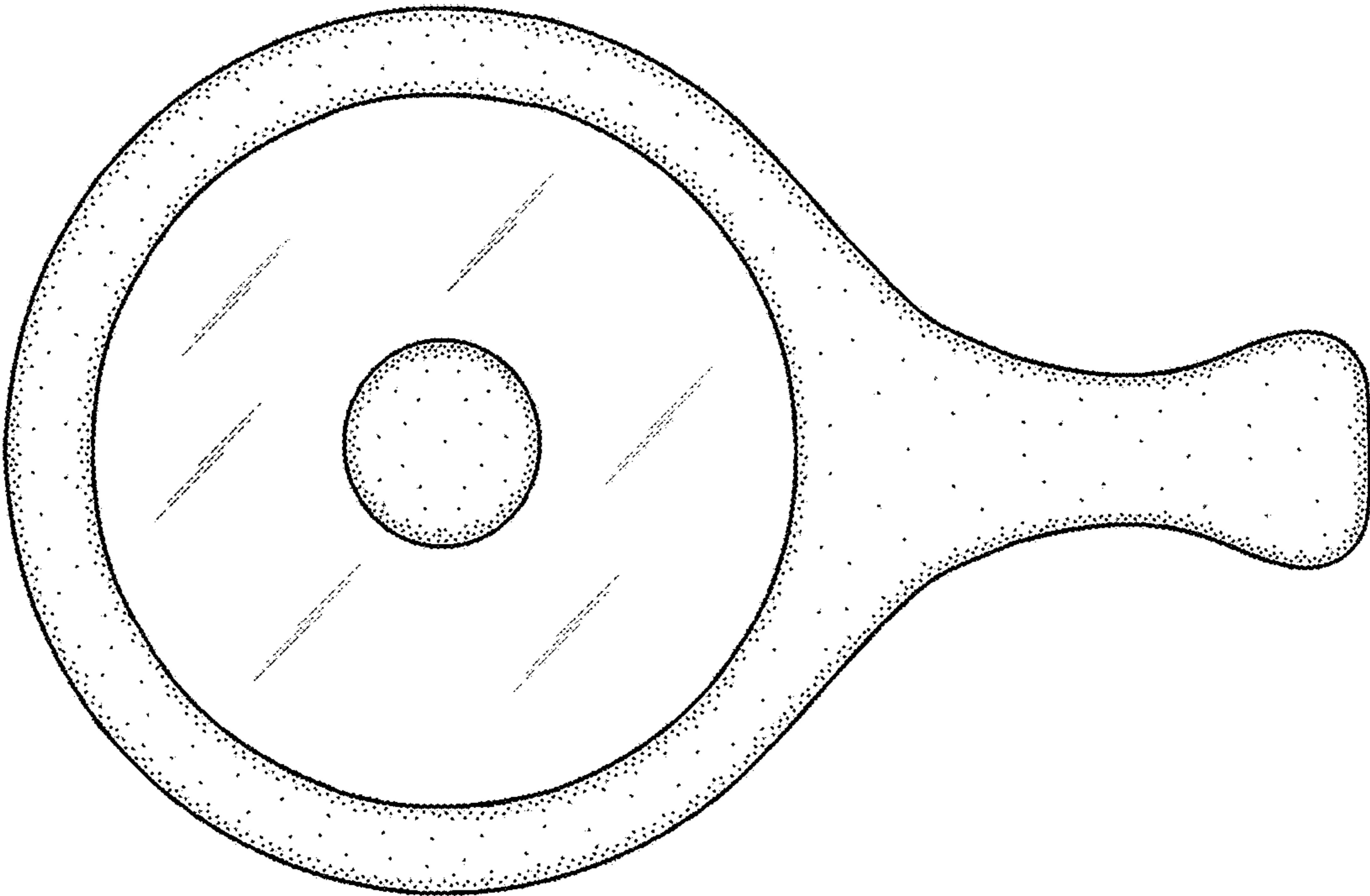


FIG. 2

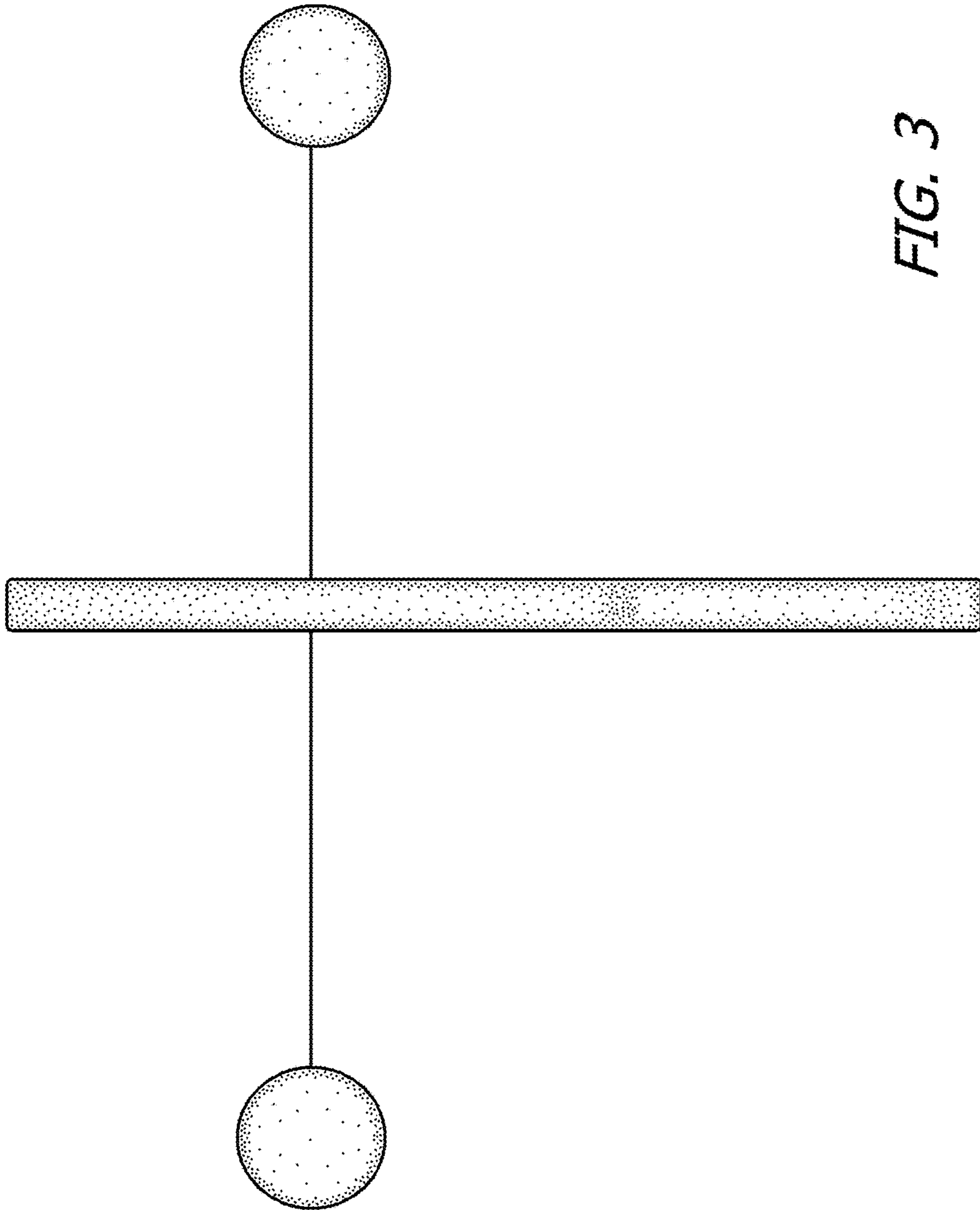


FIG. 3

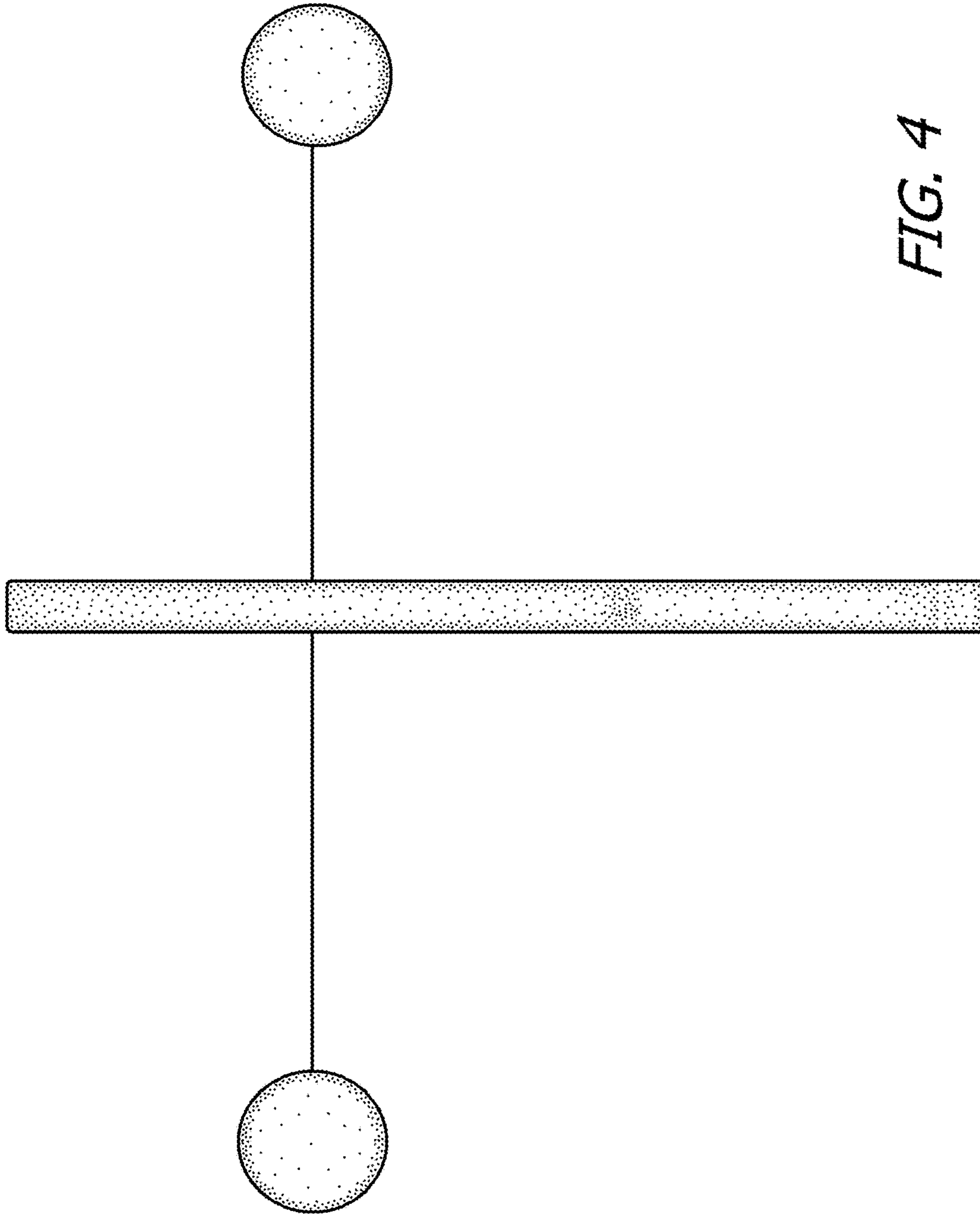


FIG. 4

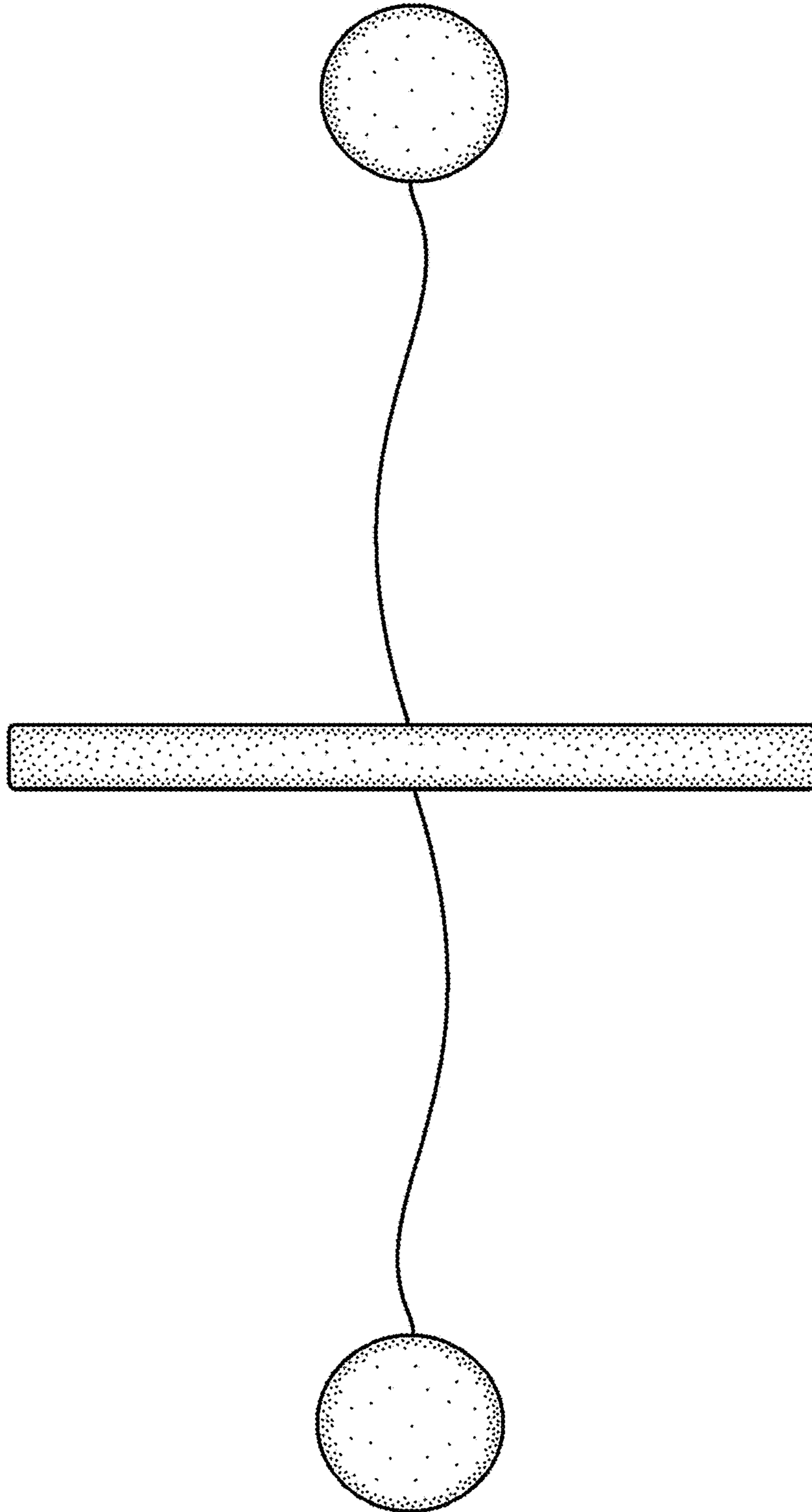


FIG. 5

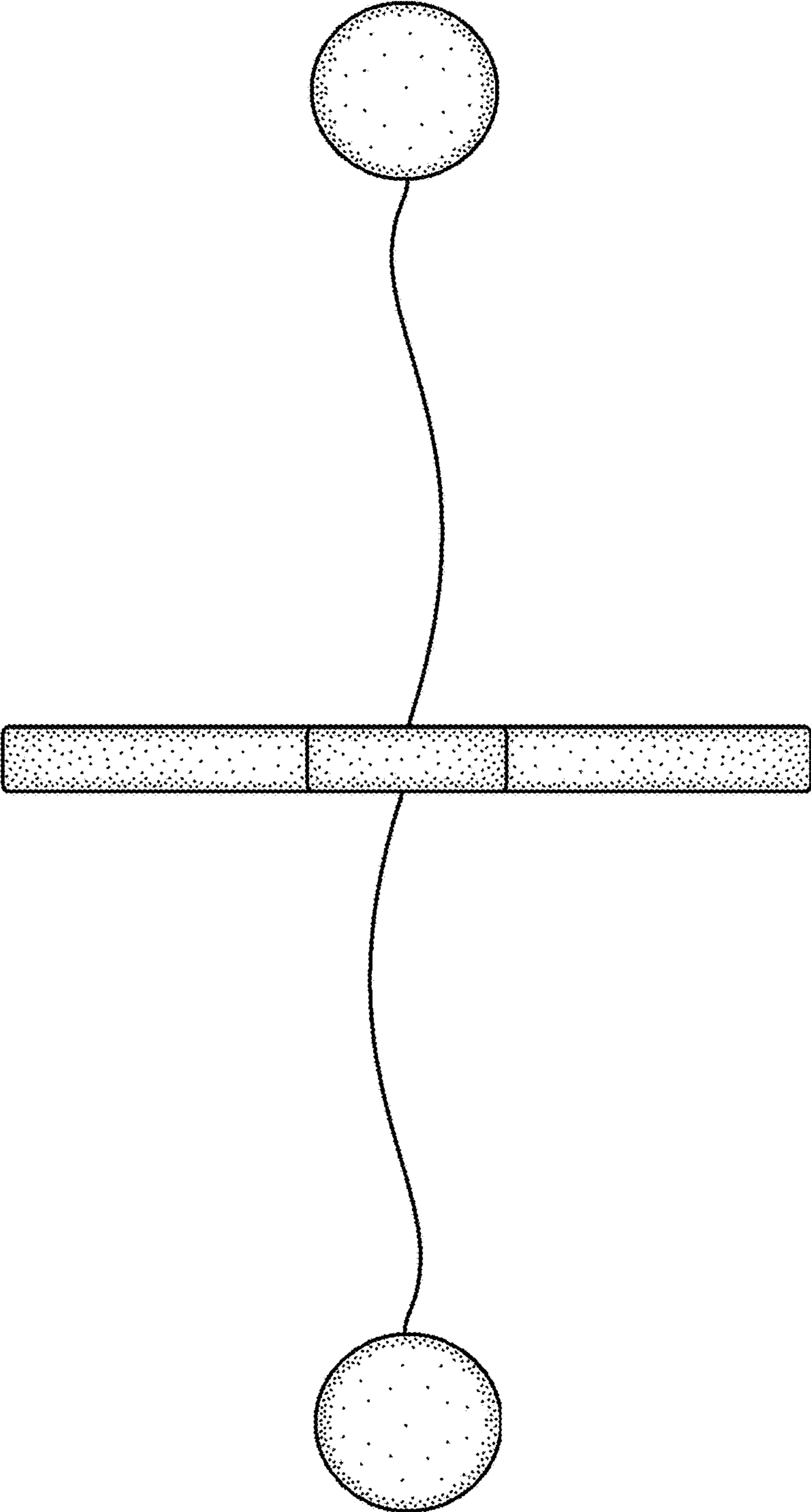


FIG. 6



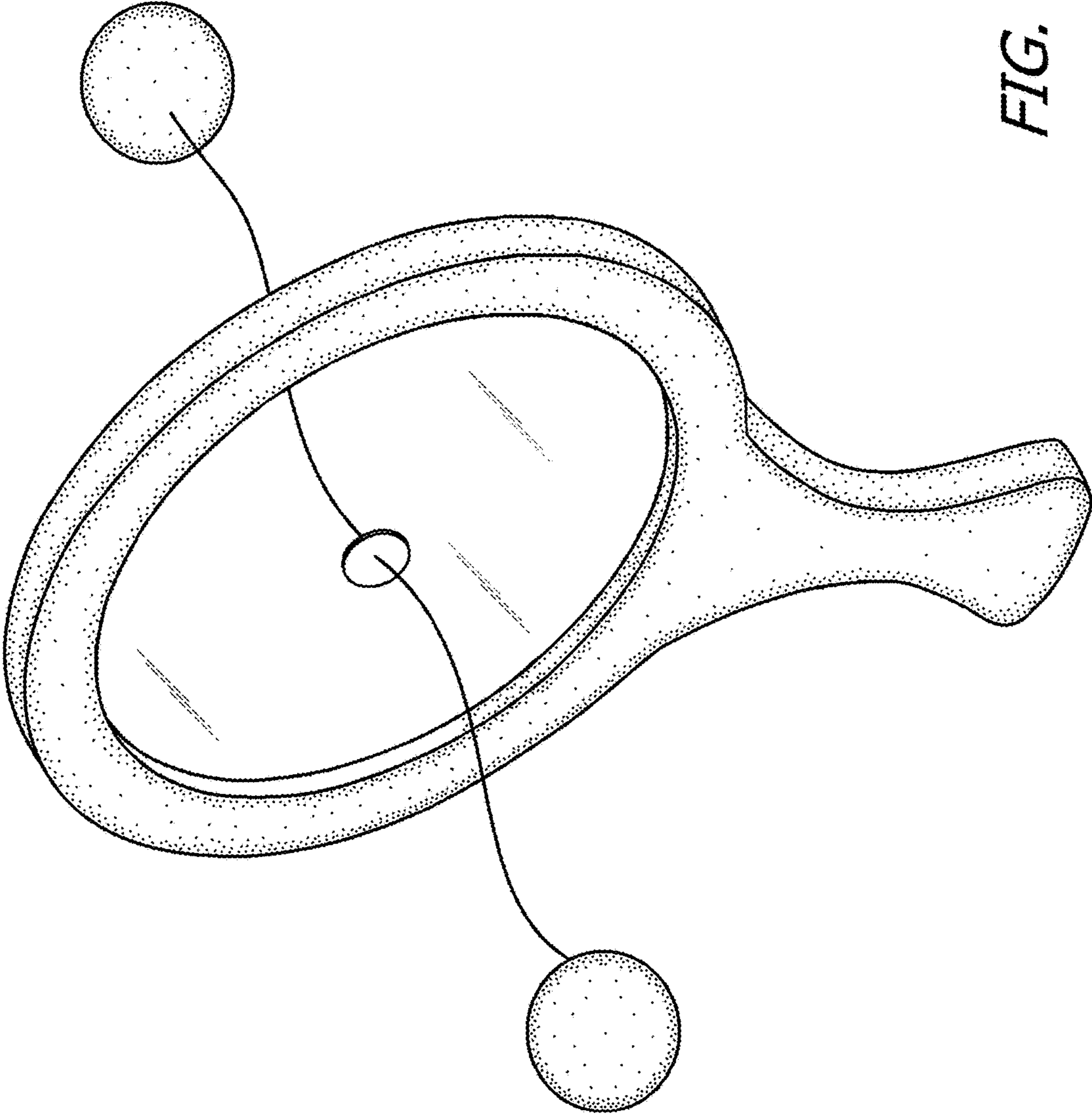


FIG. 7