



US00D869563S

(12) **United States Design Patent**  
**Koller**

(10) **Patent No.:** **US D869,563 S**

(45) **Date of Patent:** **\*\* Dec. 10, 2019**

(54) **SCOOTER**

(71) Applicant: **boardy on board Kft**, Budapest (HU)

(72) Inventor: **Balázs Koller**, Budapest (HU)

(73) Assignee: **BOARDY ON BOARD KFT**,  
Budapest (HU)

(\*\*) Term: **15 Years**

(21) Appl. No.: **29/601,211**

(22) Filed: **Apr. 20, 2017**

(30) **Foreign Application Priority Data**

Aug. 22, 2016 (EM) ..... 003348499-0003

(51) **LOC (12) Cl.** ..... **21-01**

(52) **U.S. Cl.**  
USPC ..... **D21/423**

(58) **Field of Classification Search**

USPC ..... D21/419, 421, 423, 426-428, 435, 760,  
D21/765, 771; D12/1, 8, 108, 112, 113

CPC . B62K 3/002; B62K 9/00; B62K 9/02; B62K  
13/00; B62K 2202/00

See application file for complete search history.

(56) **References Cited**

**U.S. PATENT DOCUMENTS**

D91,256 S \* 12/1933 Van Doren et al. .... 280/87.041  
D312,485 S \* 11/1990 Turner ..... D21/423

D421,632 S \* 3/2000 Jones ..... D21/423  
D476,041 S \* 6/2003 Phillips ..... D12/110  
D567,718 S \* 4/2008 Lugo ..... D12/111  
D656,998 S \* 4/2012 Wiggins ..... D21/423  
D721,990 S \* 2/2015 Lugo ..... D12/111  
D756,465 S \* 5/2016 Byrne ..... D21/423  
D761,919 S \* 7/2016 Peplowski ..... D21/423  
D798,959 S \* 10/2017 Le ..... D21/423  
D804,581 S \* 12/2017 Schindele ..... D21/423

\* cited by examiner

*Primary Examiner* — Cynthia M. Chin

(74) *Attorney, Agent, or Firm* — Ziegler IP Law Group,  
LLC

(57) **CLAIM**

The ornamental design for a scooter, as shown and described.

**DESCRIPTION**

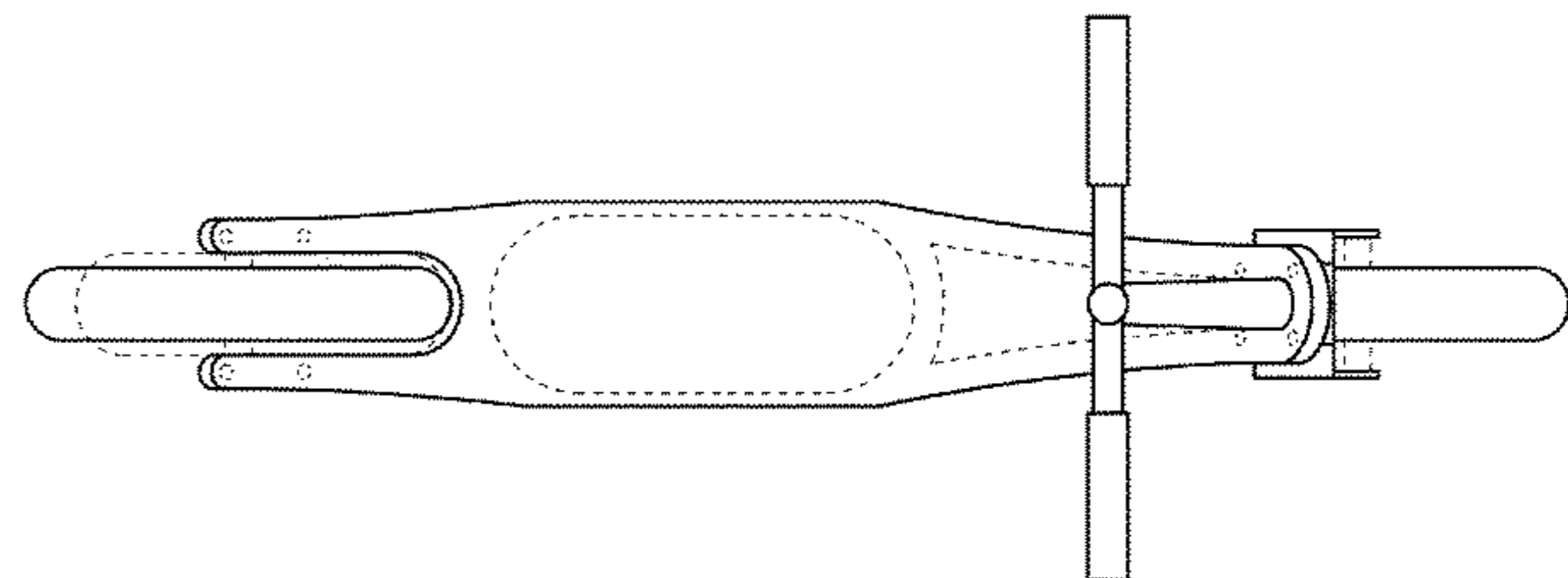
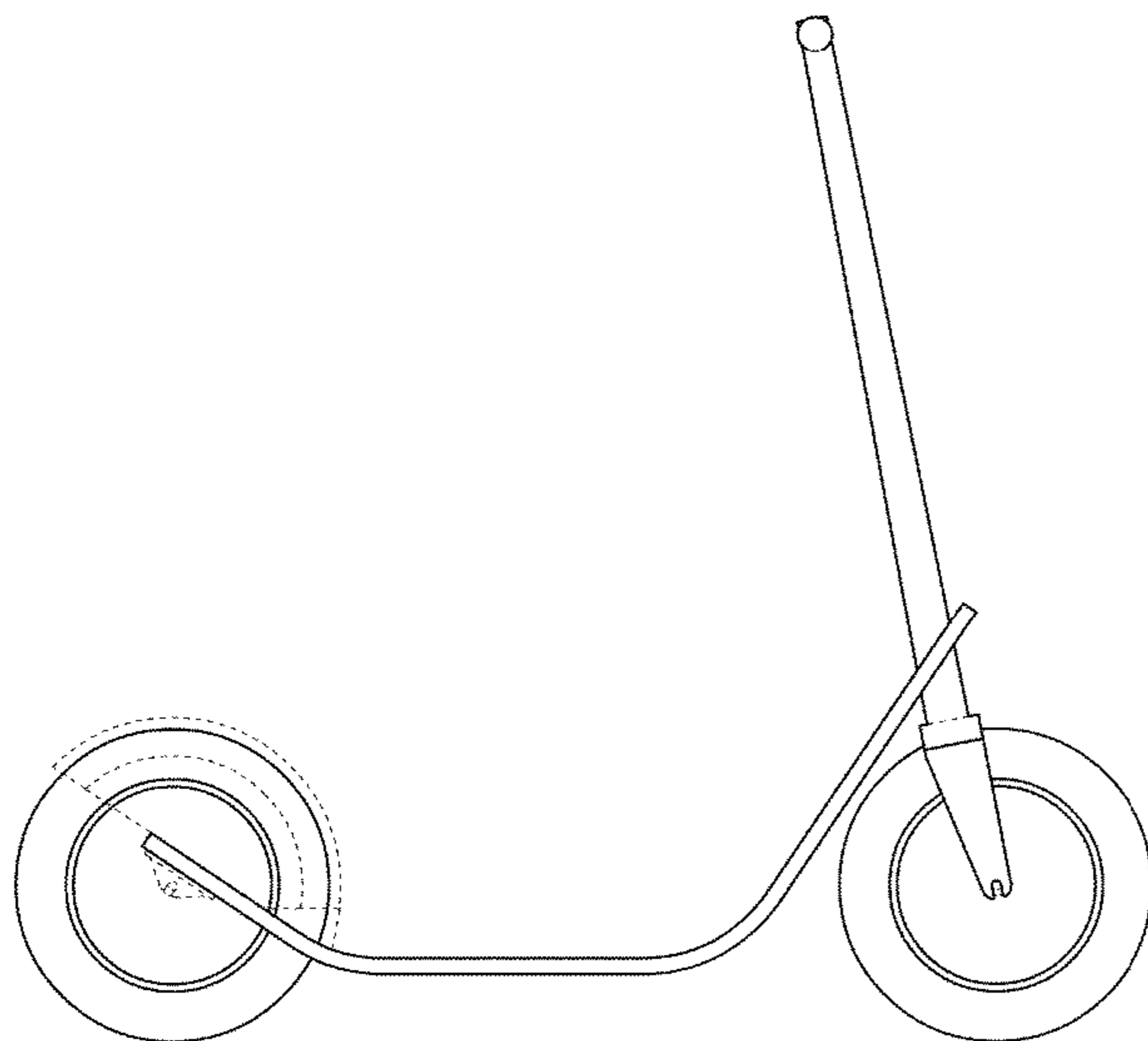
FIG. 1 is a right side view of a scooter of the subject disclosure, the left side view being the same;

FIG. 2 is a top view thereof; and,

FIG. 3 is a front view thereof.

The broken lines shown are included for the purposes of illustrating portions of the scooter which form no part of the claimed design.

**1 Claim, 3 Drawing Sheets**



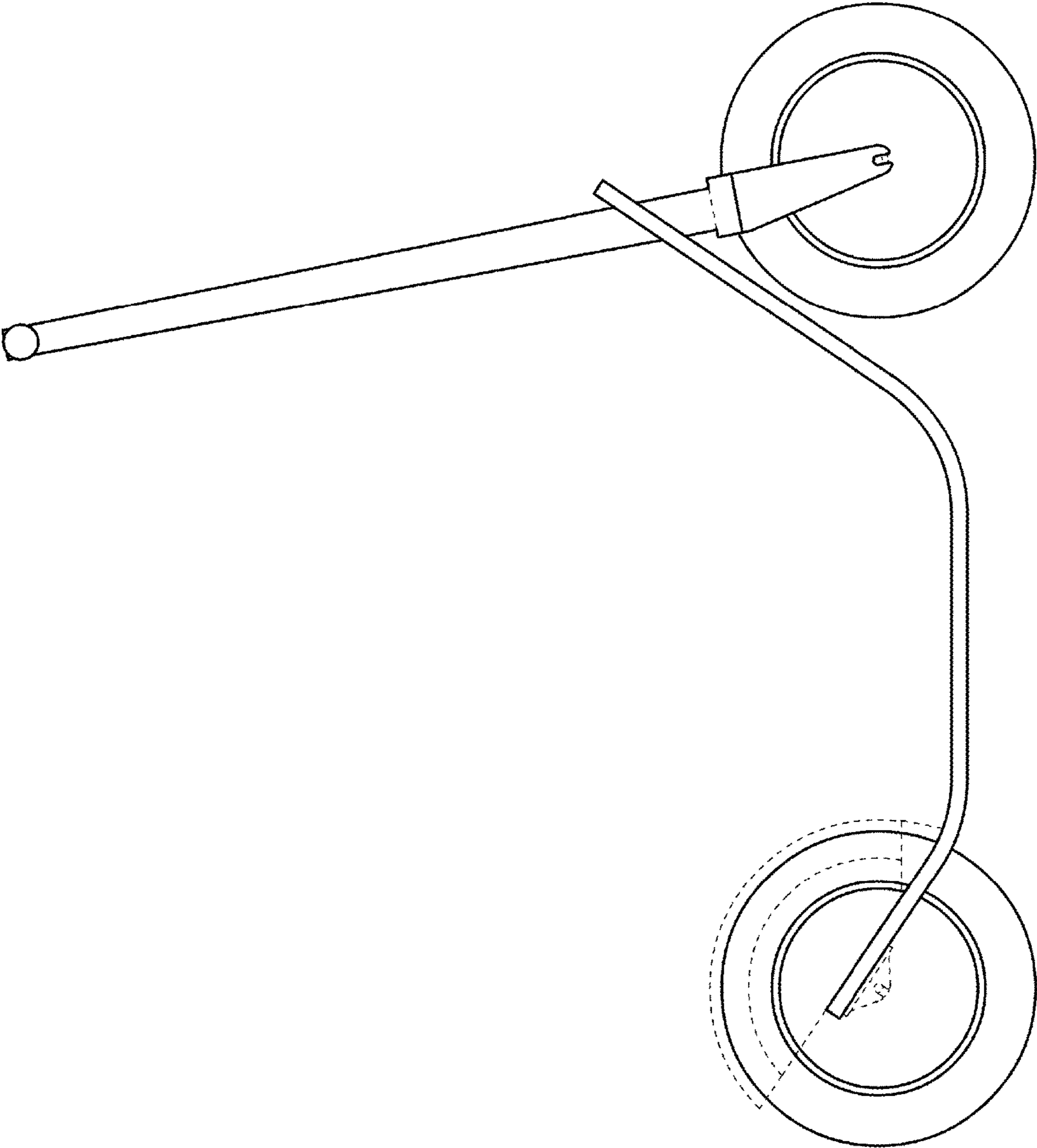


FIG. 1

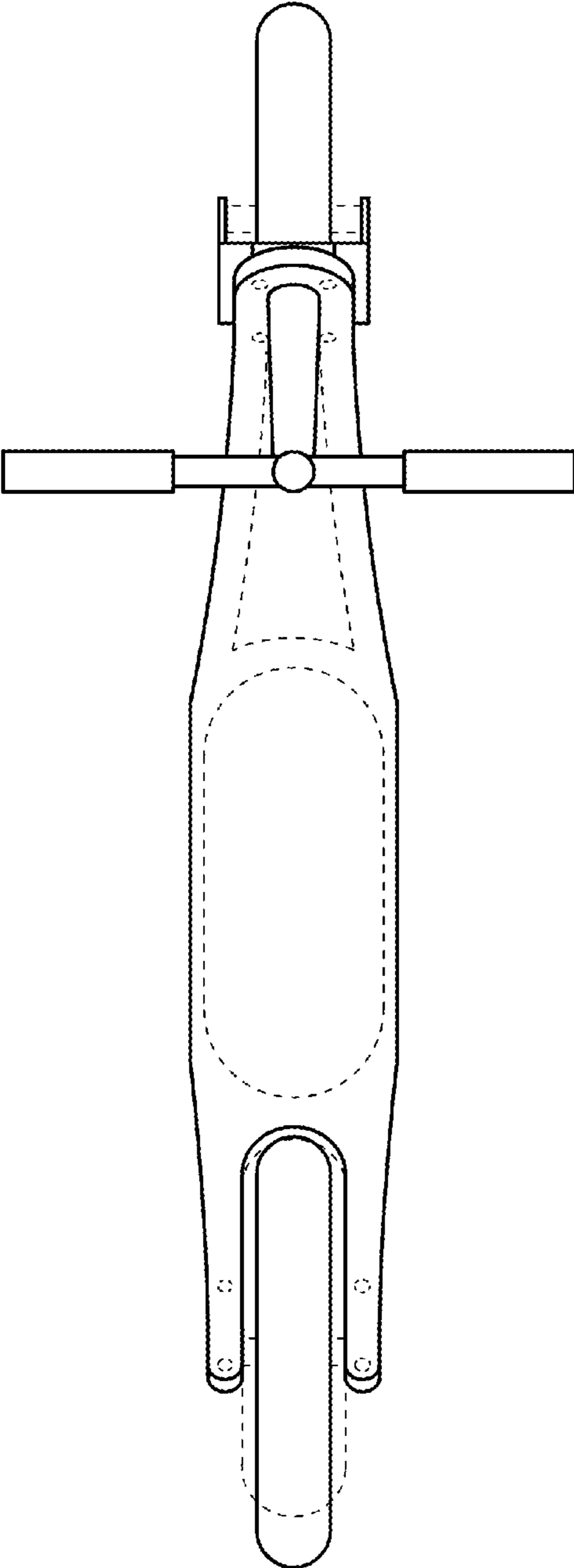


FIG. 2

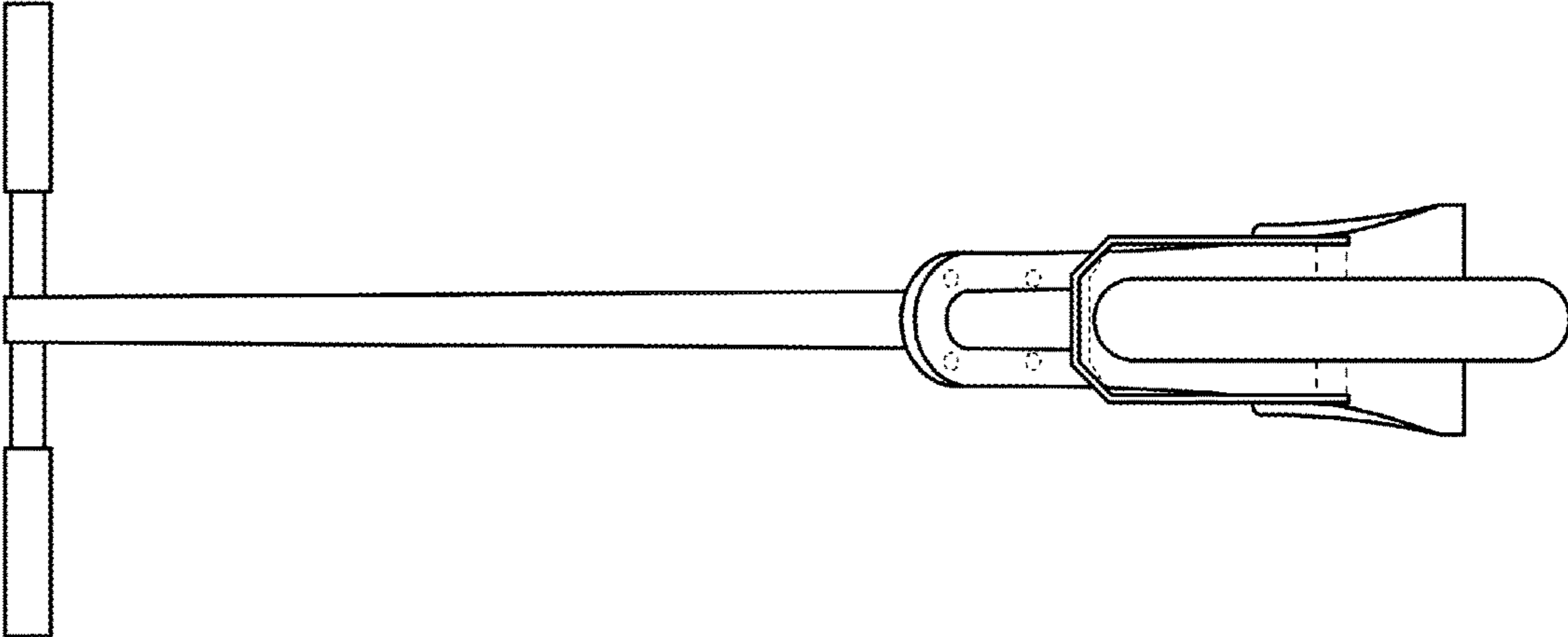


FIG. 3