



US00D869562S

(12) **United States Design Patent** (10) **Patent No.:** **US D869,562 S**  
**Xu** (45) **Date of Patent:** **\*\* Dec. 10, 2019**

(54) **BUBBLE MACHINE** 4,133,138 A \* 1/1979 Coons ..... A63H 33/28  
446/16  
(71) Applicant: **Shenzhen Congli Electronics Co., Ltd., Shenzhen (CN)** D627,403 S \* 11/2010 Lo ..... D21/401  
D627,835 S \* 11/2010 Lo ..... D21/401  
D678,421 S \* 3/2013 Hedeem, Jr. .... D21/401  
(72) Inventor: **Gen-Hua Xu, Shenzhen (CN)** D716,381 S \* 10/2014 Lo ..... D21/401  
D717,880 S \* 11/2014 Chen ..... D21/401  
D790,009 S \* 6/2017 Lo ..... D21/401  
(73) Assignee: **Shenzhen Congli Electronics Co., Ltd., Shenzhen (CN)** D803,947 S \* 11/2017 Lo ..... D21/401  
D807,965 S \* 1/2018 Lo ..... D21/401

(Continued)

(\*\*) Term: **15 Years**

**FOREIGN PATENT DOCUMENTS**

(21) Appl. No.: **29/660,816**

CN 302021631 \* 8/2012  
CN 302405271 \* 4/2013

(22) Filed: **Aug. 22, 2018**

(Continued)

(51) **LOC (12) Cl.** ..... **21-01**

*Primary Examiner* — Catherine A Tuttle

(52) **U.S. Cl.**

(74) *Attorney, Agent, or Firm* — ScienBiziP, P.C.

USPC ..... **D21/401; D21/578**

(58) **Field of Classification Search**

(57) **CLAIM**

USPC ..... D21/303, 398, 401, 405, 473, 483, 516,  
D21/523, 524, 526, 576, 578, 585, 594,  
D21/596–659; D3/271.2, 271.3; D6/539;  
D7/506, 516, 517, 539, 544, 551.3, 556,  
D7/573, 578, 579, 301, 593, 595, 599,  
D7/613, 619.2, 623, 710, 628, 636, 639;  
D9/600–630; D11/131.1, 149, 150, 157,  
D11/158; D23/367; D19/77, 82, 97;  
D99/28, 38–40; 446/15–21, 71–74, 76,  
446/176, 178, 199, 201, 213, 217, 218,  
446/475, 484, 487, 491

The ornamental design for a bubble machine, as shown and described.

CPC ..... A63H 33/00; A63H 33/26; A63H 33/28;  
A63H 3/003; A63H 3/005

**DESCRIPTION**

See application file for complete search history.

FIG. 1 is a top front perspective view of a bubble machine showing the claimed new design;  
FIG. 2 is a bottom rear perspective view thereof;  
FIG. 3 is a front elevation view thereof;  
FIG. 4 is a rear elevation view thereof;  
FIG. 5 is a left side elevation view thereof;  
FIG. 6 is a right side elevation view thereof;  
FIG. 7 is a top plan view thereof;  
FIG. 8 is a bottom plan view thereof;  
FIG. 9 is an enlarged view of the design features included within circle 9 of FIG. 1; and,  
FIG. 10 is an enlarged view of the design features included within circle 10 of FIG. 7.

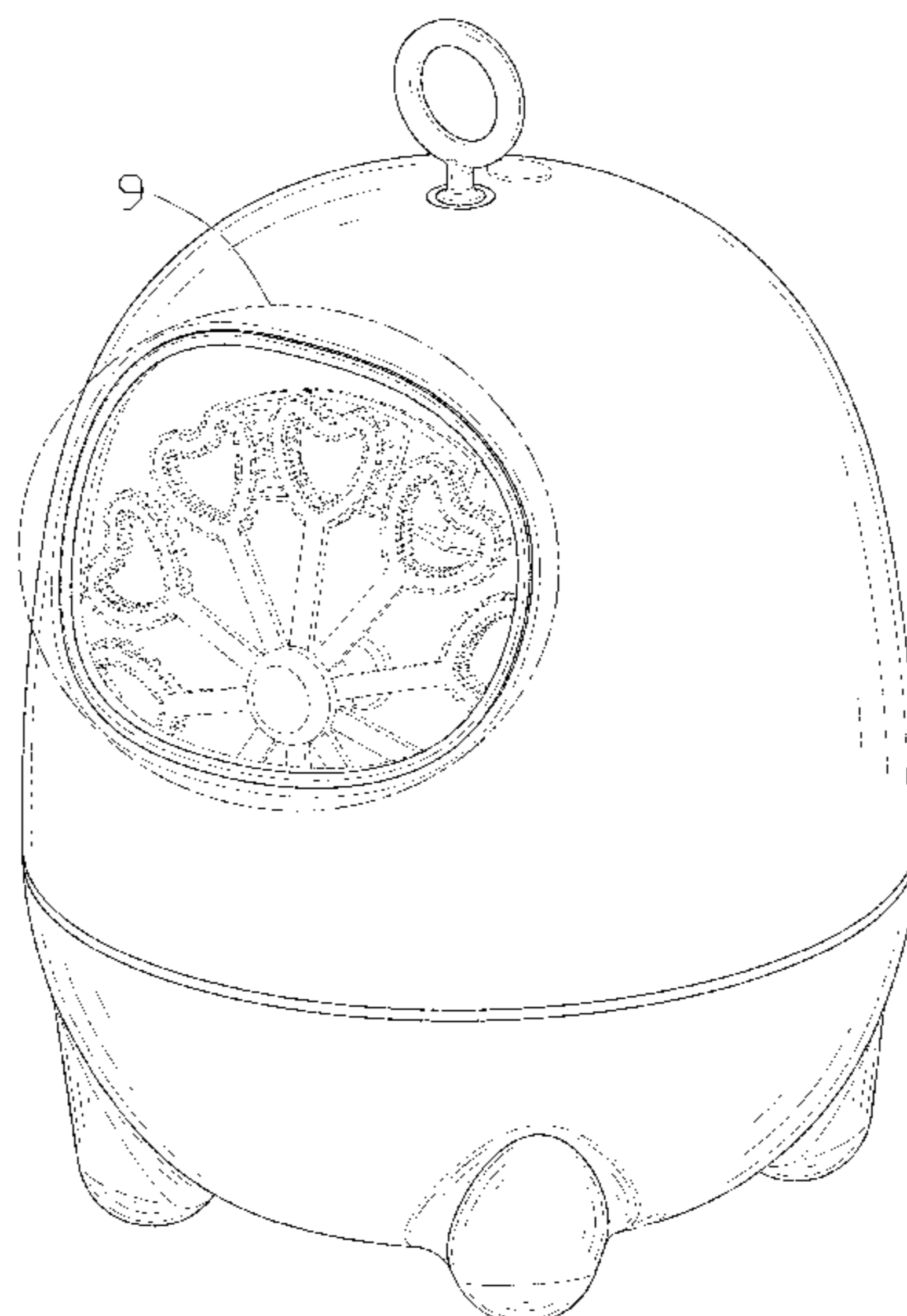
The broken lines depict portions of the bubble machine that form no part of the claimed design.

(56) **References Cited**

**U.S. PATENT DOCUMENTS**

2,547,825 A \* 4/1951 King ..... A63H 33/28  
40/408  
3,388,498 A \* 6/1968 Greene ..... A63H 33/28  
446/16  
D222,842 S \* 1/1972 Merck et al. .... D34/4

**1 Claim, 10 Drawing Sheets**



(56)

**References Cited**

U.S. PATENT DOCUMENTS

D838,758 S \* 1/2019 Kymm ..... D15/199  
D838,786 S \* 1/2019 Nishimura ..... D21/578  
D847,914 S \* 5/2019 Hayashi ..... D21/585  
D851,179 S \* 6/2019 Kao ..... D21/473  
2009/0163109 A1\* 6/2009 Thai ..... A63H 33/28  
446/16  
2012/0220184 A1\* 8/2012 Orem ..... A63H 33/28  
446/16  
2019/0126161 A1\* 5/2019 Yang ..... A63J 5/02

FOREIGN PATENT DOCUMENTS

CN 303160529 \* 4/2015  
CN 304254102 \* 8/2017  
CN 304387394 \* 12/2017  
CN 304462266 \* 1/2018  
CN 304690297 \* 6/2018  
EM 004239408-0001 \* 9/2017  
EM 005623667-0002 \* 9/2018  
EP 2921213 A1 \* 9/2015 ..... A63H 33/28  
GB 1526161 A \* 9/1978 ..... A63H 33/28  
JP D1503380 \* 7/2014  
WO WO-2017000196 A1 \* 1/2017 ..... A63H 33/26

\* cited by examiner

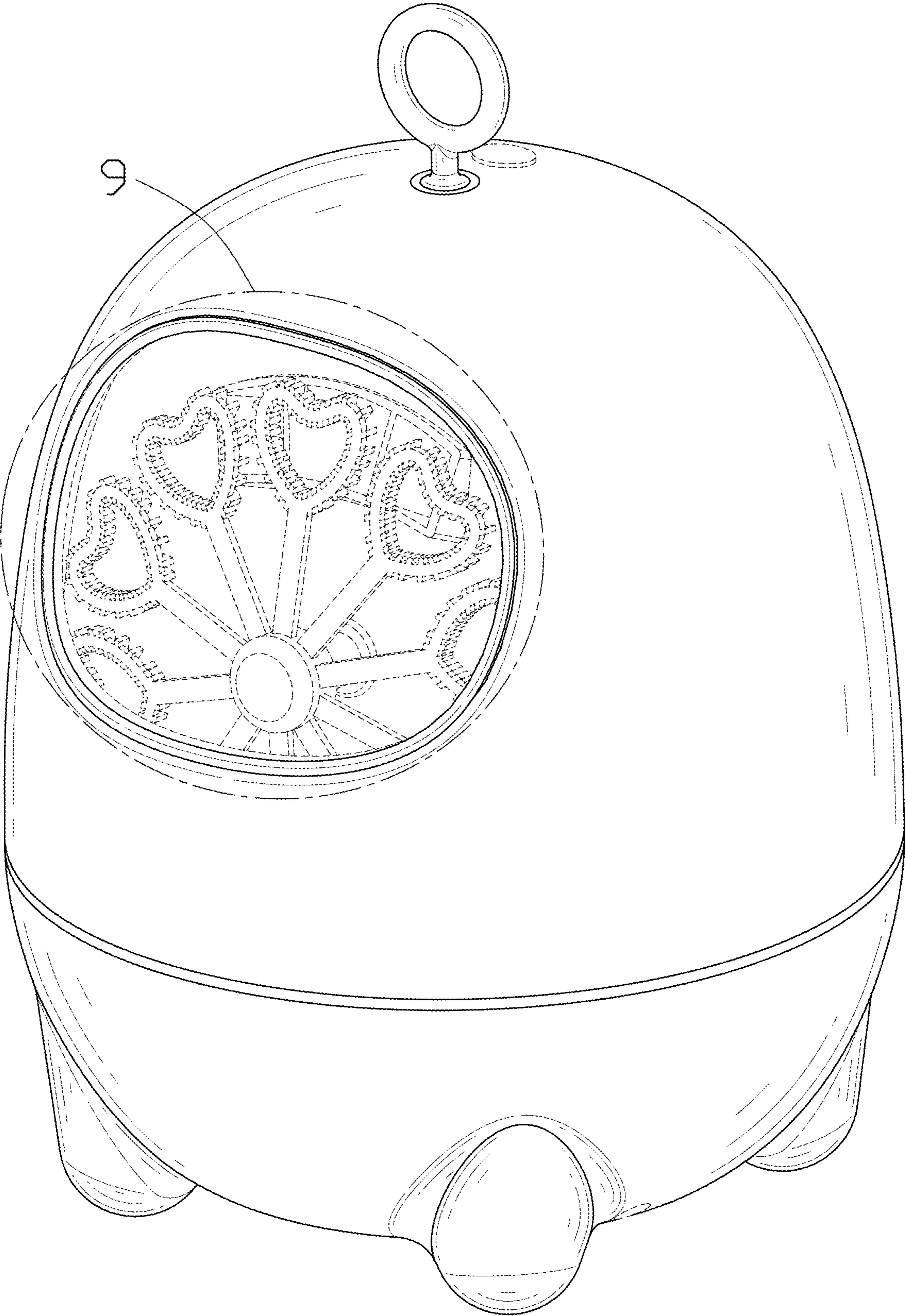


FIG. 1

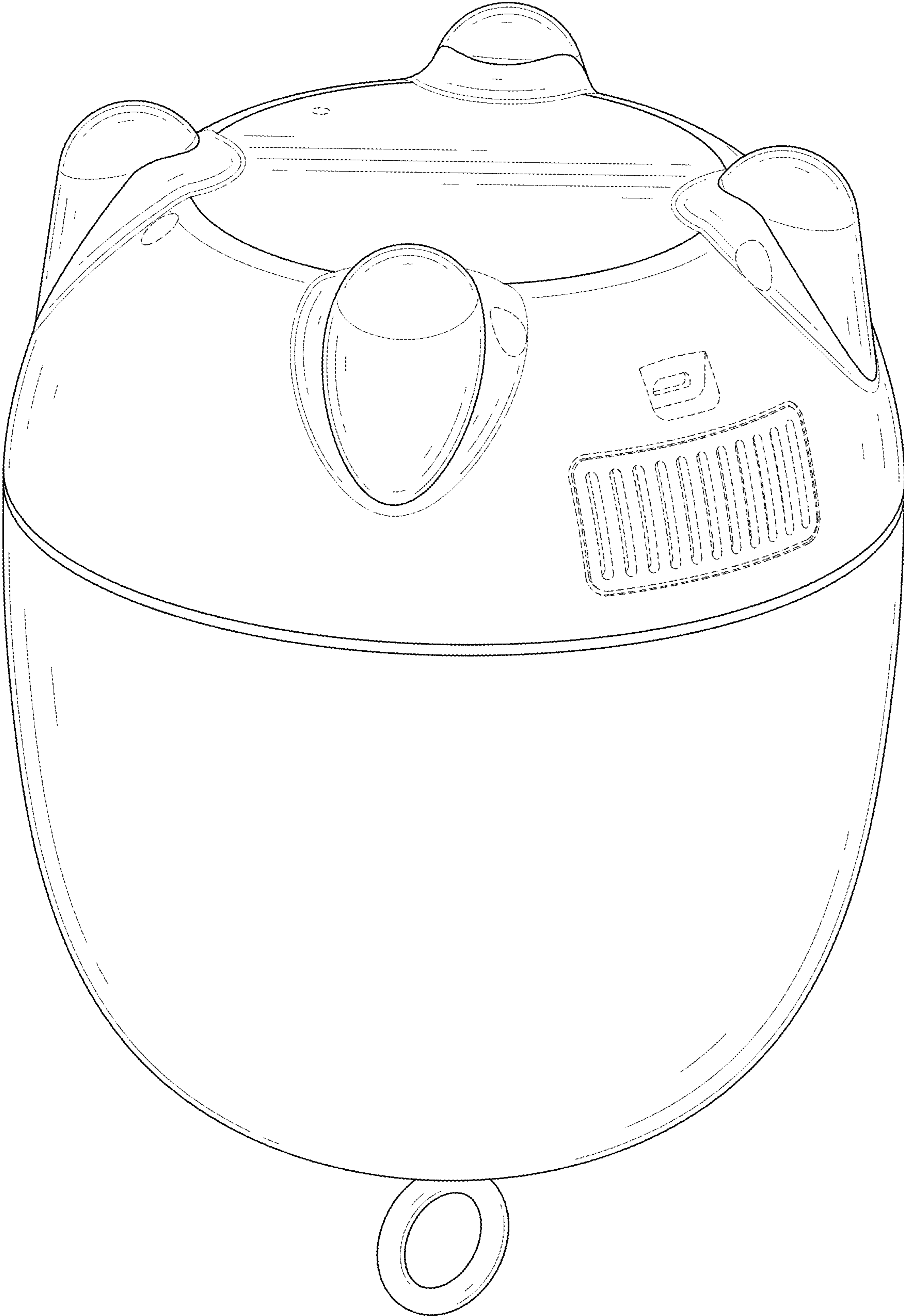


FIG. 2

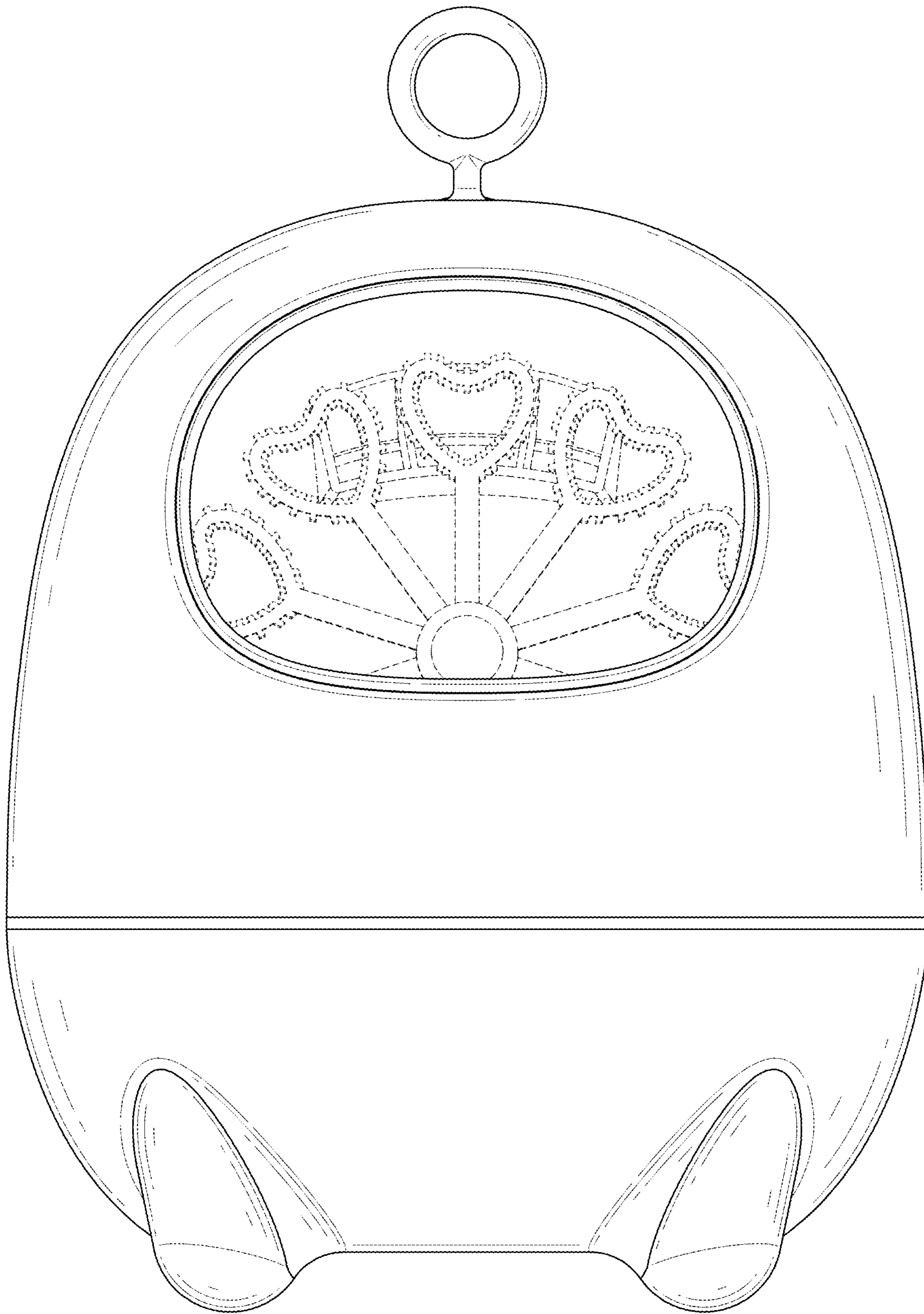


FIG. 3

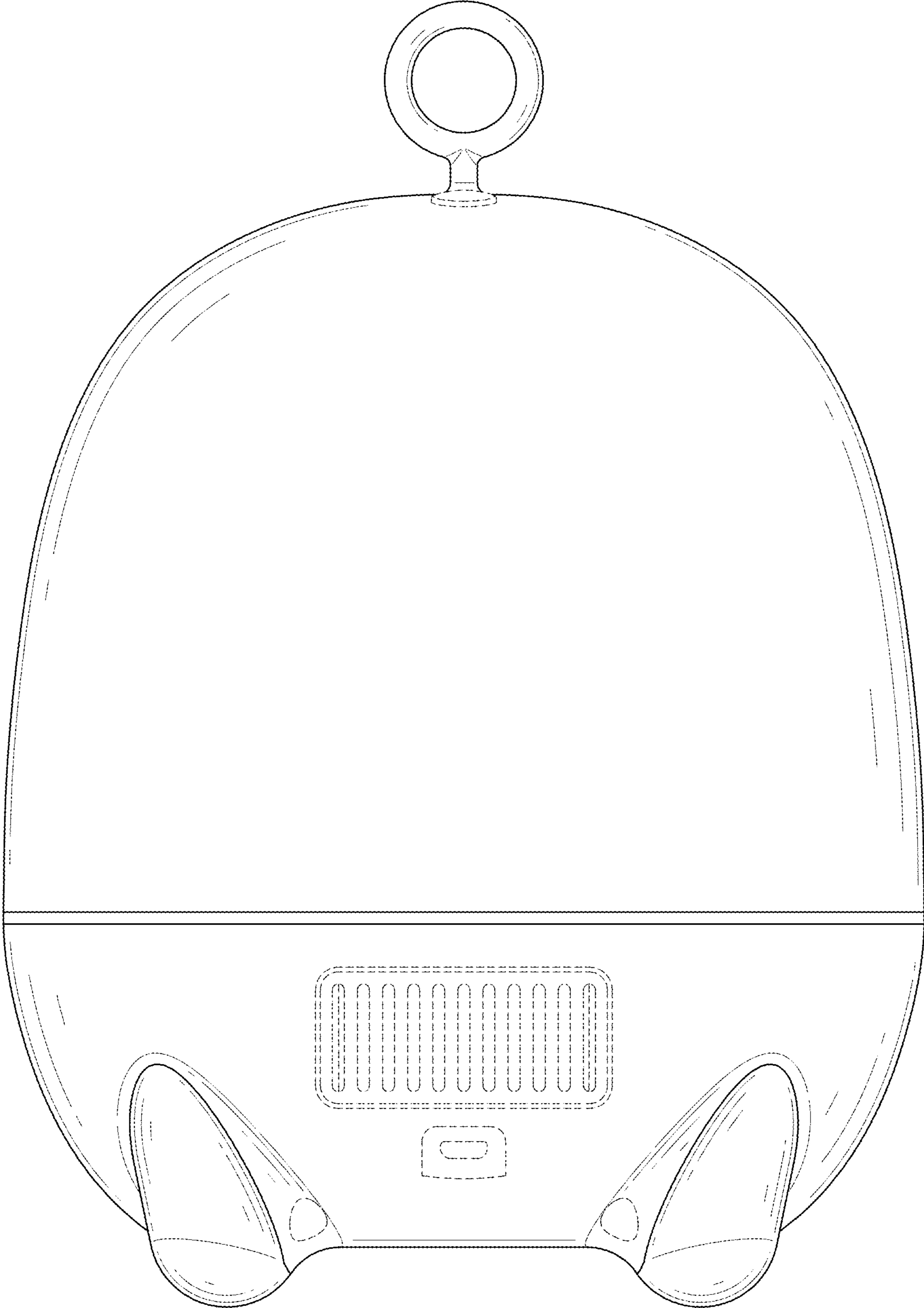


FIG. 4

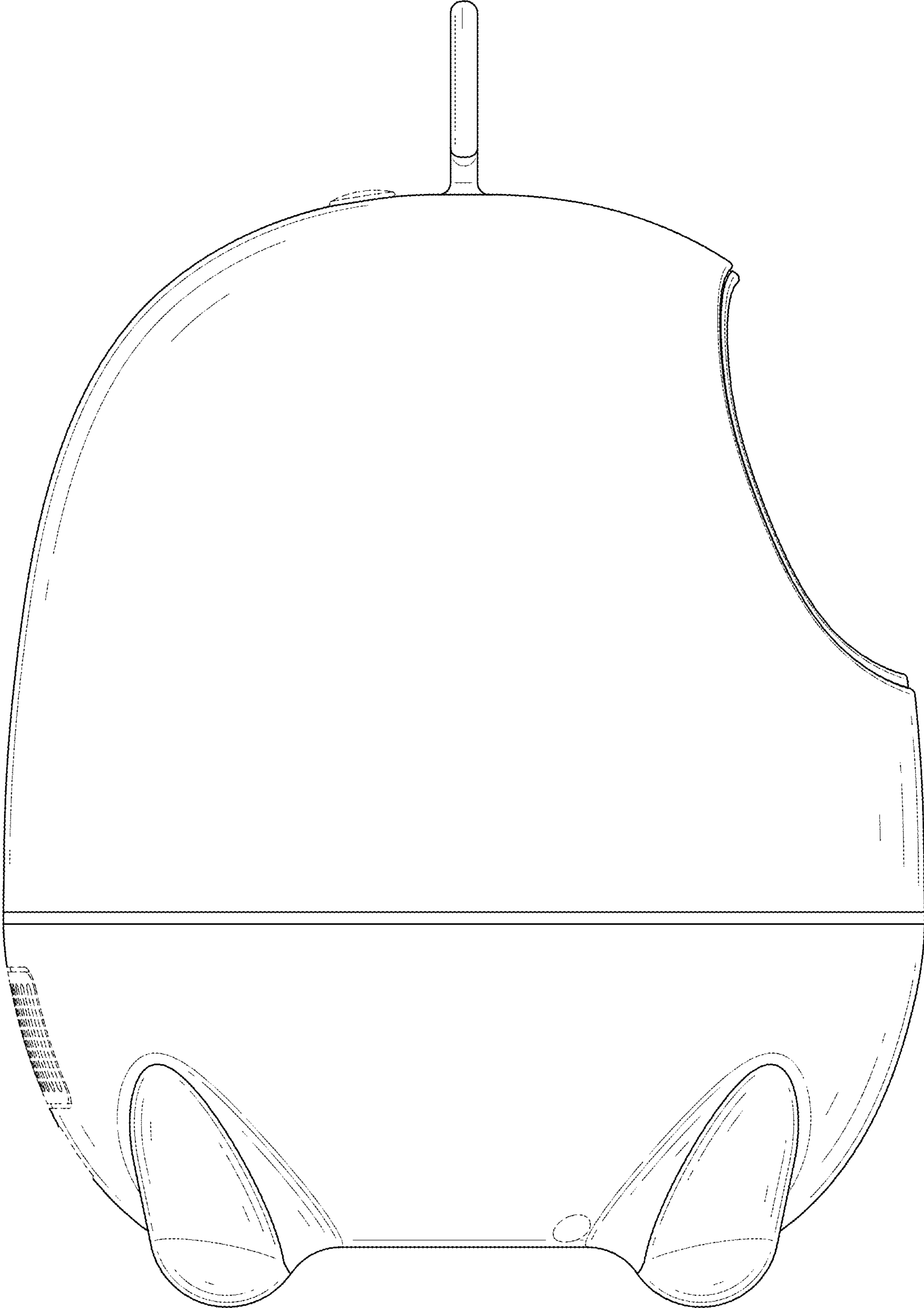


FIG. 5

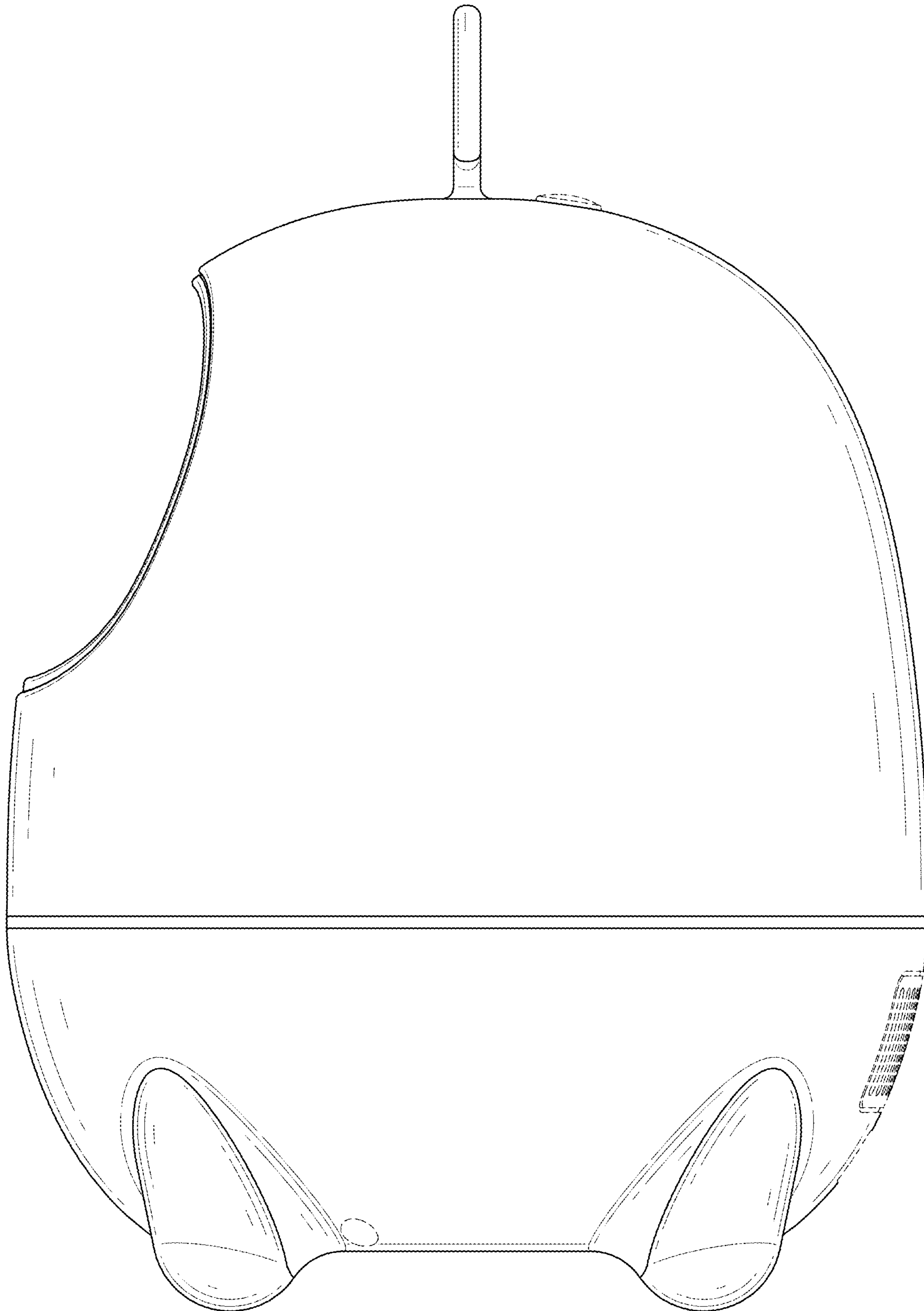


FIG. 6



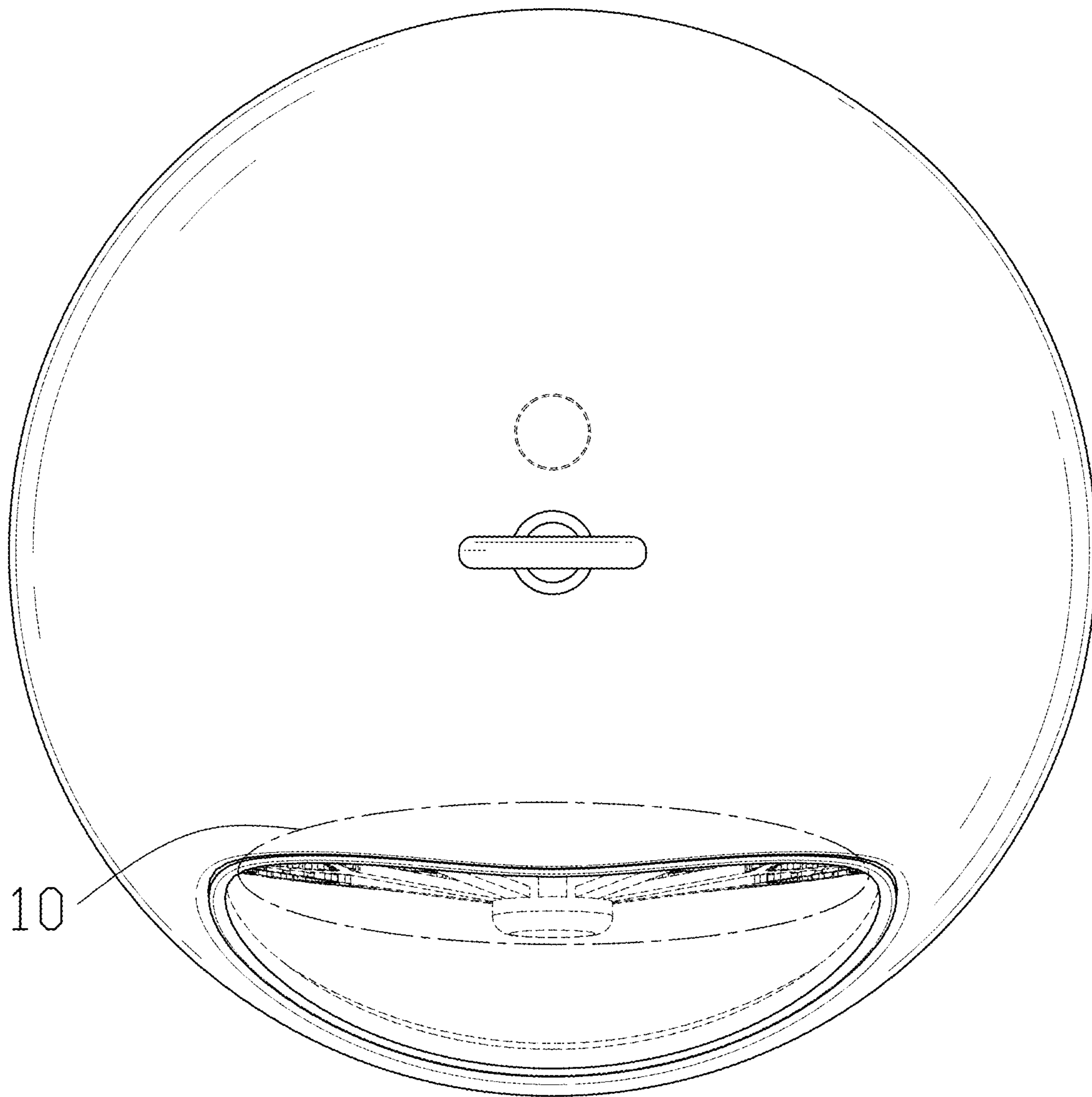


FIG. 7

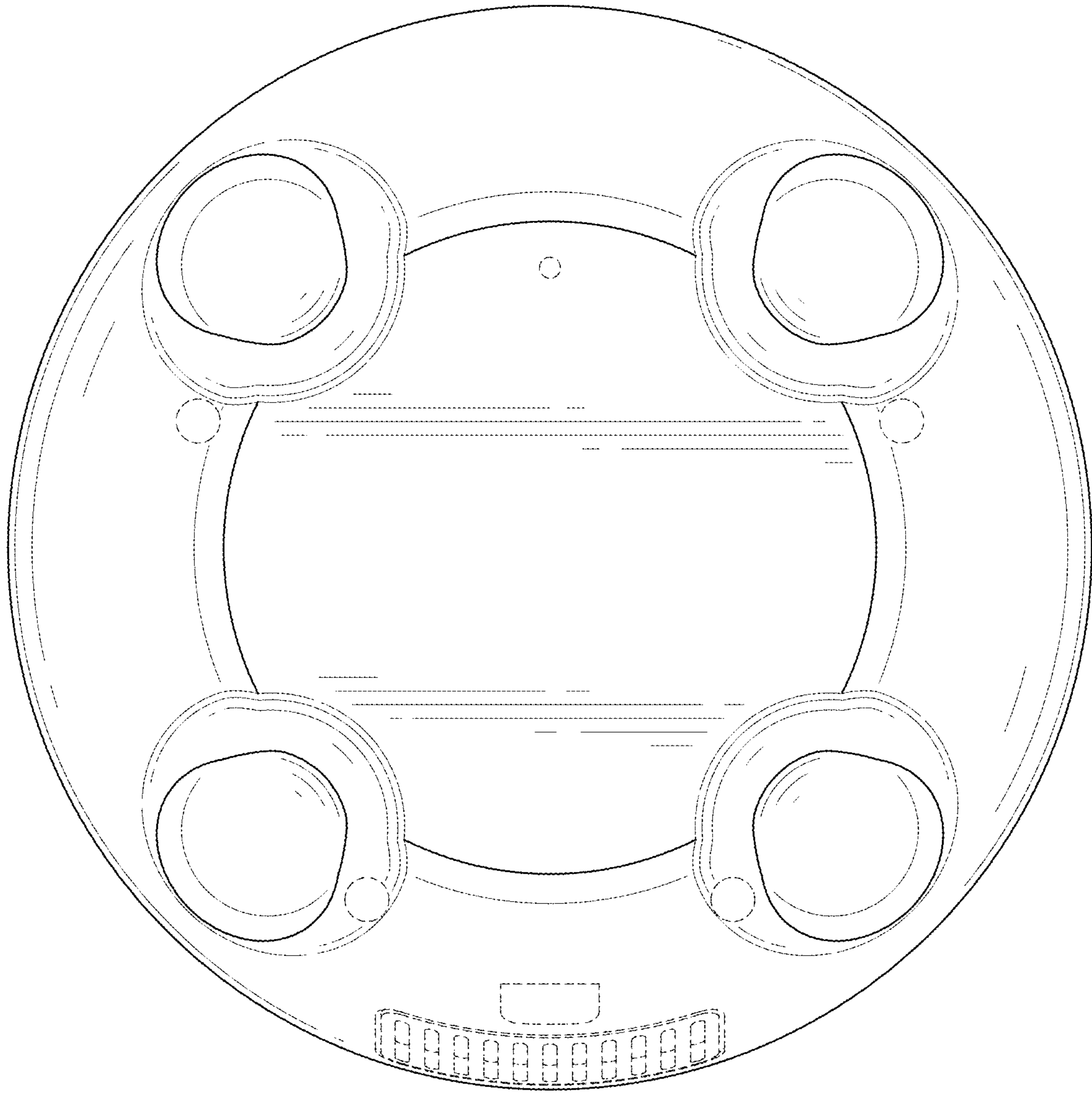


FIG. 8

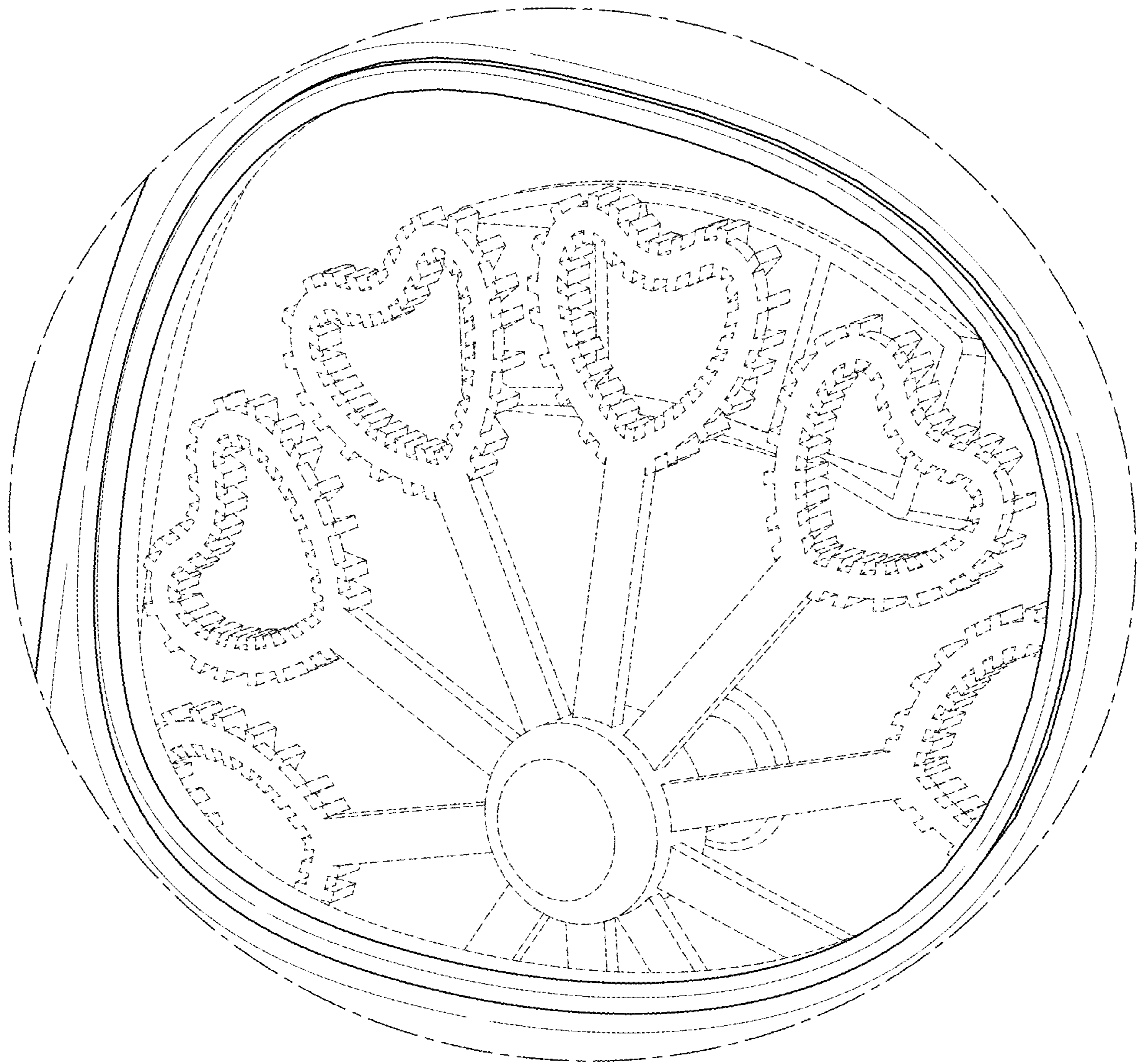


FIG. 9

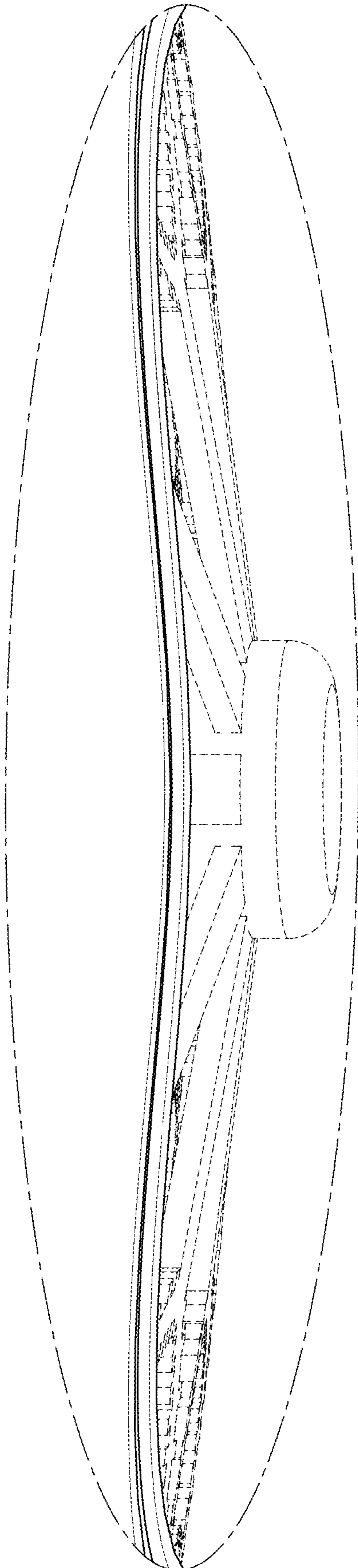


FIG. 10