



US00D869560S

(12) **United States Design Patent** (10) **Patent No.:** **US D869,560 S**
Schultheis et al. (45) **Date of Patent:** **** Dec. 10, 2019**

(54) **PLAYING SURFACE FOR SPINNING TOP TOY**

(71) Applicant: **TOMY COMPANY, LTD.**, Tokyo (JP)

(72) Inventors: **Douglas Arthur Schultheis**, Cumberland, RI (US); **Ramon Antonio Campos**, Pawtucket, RI (US); **Michelino Paolino, Jr.**, Rumford, RI (US); **Luke Lohan**, Abington, MA (US)

(73) Assignee: **TOMY COMPANY, LTD.**, Tokyo (JP)

(**) Term: **15 Years**

(21) Appl. No.: **29/632,136**

(22) Filed: **Jan. 5, 2018**

(51) **LOC (12) Cl.** **21-01**

(52) **U.S. Cl.**
USPC **D21/338**

(58) **Field of Classification Search**
USPC D21/334, 336-342, 355-359, 365, 318, D21/397, 312, 314, 320, 362, 366, 367, D21/385, 455, 456, 460, 461, 484, D21/491-501, 561, 564; 273/242, 273/244-247, 259, 277, 287, 317.3, 273/108.1, 108.5, 118 D, 236-240, 283, 273/309, 441, 461, 108.2, 108.3, 113, 273/115, 116, 241, 280, 282.1, 282.2, 273/282.3, 289, 148 R, 440, 444, 450, 273/453, 459, 109, 110, 108; D6/406.1, D6/406.3, 406.4, 406.6; D19/86, 92, 95, D19/87, 113, 75, 77, 78, 80; 108/14, 62, 108/43, 67; 434/416, 247, 248, 251, 408, 434/413, 145, 430; 446/82, 168, 236, 446/256, 257, 259, 262, 263, 491; D7/538-550.1, 552.2, 553.1-553.8, D7/554.1-554.4, 558, 584-588, 601, 602, D7/359, 354, 356; D9/737, 756, D9/758-761, 414, 424-433, 456, 499; D30/121, 129-133; D11/143, 144, 152,

D11/153, 155, 156, 164; 47/65, 65.5, 47/65.6, 66.7, 71, 73-75, 39; 473/569; 463/69; D3/276, 905, 281, 282, 283, 294
CPC A63F 3/00; A63F 3/00003; A63F 3/00028; A63F 3/00041; A63F 3/00044; A63F 3/00047; A63F 3/00173; A63F 3/00176; A63F 3/00214; A63F 3/00261; A63F 3/00643; A63F 3/00646-00659; A63F 3/04; A63F 2003/00182; A63F 2003/00223; A63F 2003/00457; A63F 2003/0046; A63F

(Continued)

(56) **References Cited**

U.S. PATENT DOCUMENTS

D216,473 S * 1/1970 Rizzo et al. D21/338
D269,648 S * 7/1983 Wilcox D3/282

(Continued)

Primary Examiner — Susan Moon Lee

(74) *Attorney, Agent, or Firm* — Staas & Halsey LLP

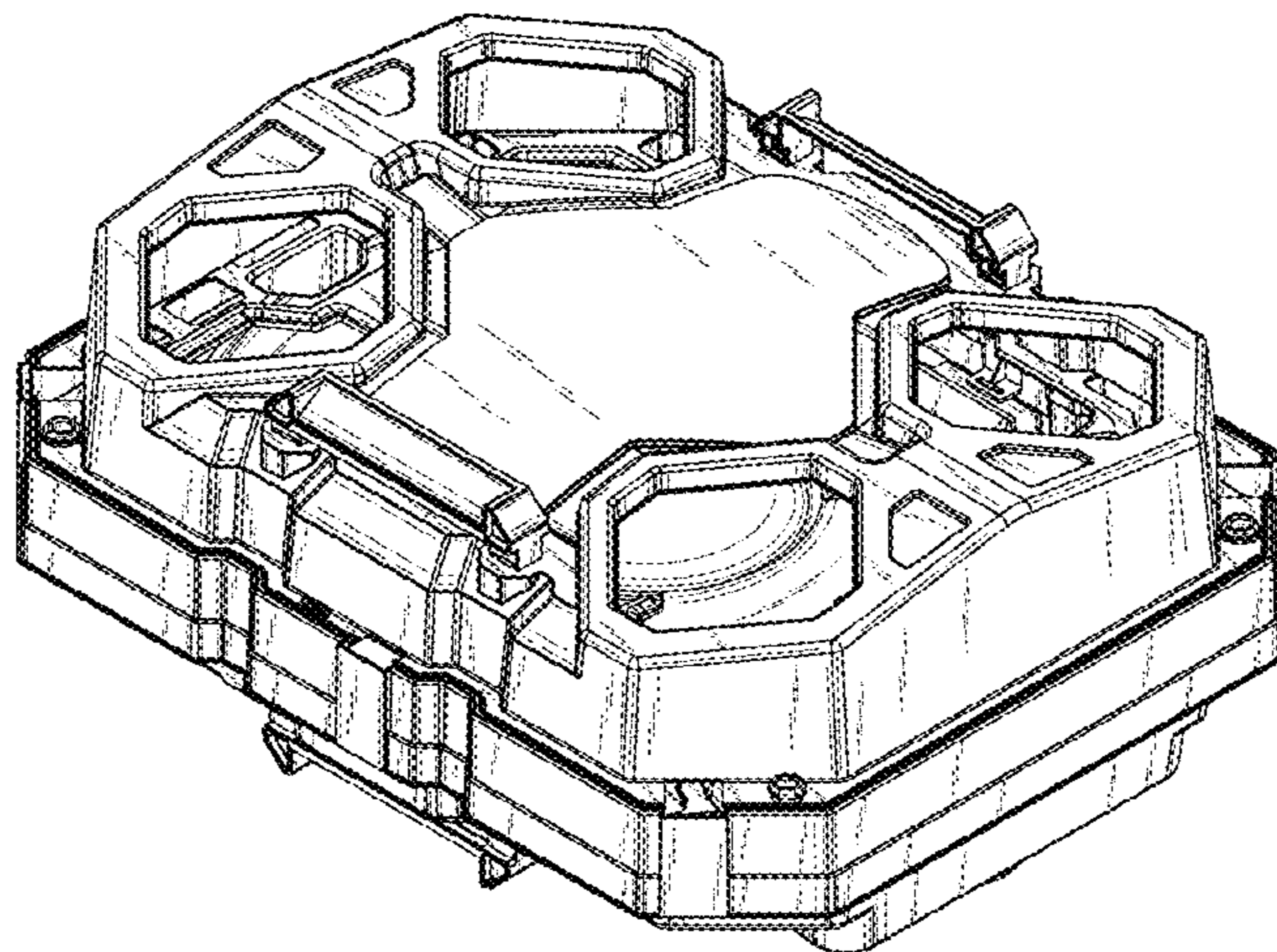
(57) **CLAIM**

The ornamental design for a playing surface for spinning top toy, as shown.

DESCRIPTION

FIG. 1 is a front view of the playing surface for spinning top toy showing our design;
FIG. 2 is a left side view thereof;
FIG. 3 is a rear view thereof;
FIG. 4 is a right side view thereof;
FIG. 5 is a top view thereof;
FIG. 6 is a bottom view thereof;
FIG. 7 is a perspective view thereof;
FIG. 8 is a front disassembled perspective view thereof; and,
FIG. 9 is a rear disassembled perspective view thereof.

1 Claim, 9 Drawing Sheets



(58) **Field of Classification Search**

CPC 2003/00466; A63F 2003/0047; A63F
 2003/00485; A63F 2003/00492; A63F
 2003/00507; A63F 2003/00514; A63F
 2003/00533; A63F 2003/00552; A63F
 2003/00558; A63F 2003/00943; A63F
 2003/00946; A63F 2003/00952-00962;
 A63F 2003/00974; A63F 7/00; A63F
 7/06; A63F 7/0612; A63F 7/0604; A63F
 7/0616-0636; A63F 7/30; A63F 7/36;
 A63F 7/0005; A63F 7/0017; A63F
 7/0023; A63F 2007/0035; A63F
 2007/367; A63F 2007/3674; A63F 9/00;
 A63F 9/16; A63F 2009/165; A63H 1/04

See application file for complete search history.

(56) **References Cited**

U.S. PATENT DOCUMENTS

4,504,056 A * 3/1985 Kanno A63F 7/249
 273/108.3
 4,630,822 A * 12/1986 Massaglia A63F 9/16
 273/118 A
 4,982,961 A * 1/1991 Ichimura A63F 9/16
 273/109
 D328,189 S * 7/1992 Hillinger D3/282
 D360,757 S * 8/1995 Snetting D3/276
 D404,569 S * 1/1999 Chen D3/282
 D414,336 S * 9/1999 Rasmussen D3/276
 D460,860 S * 7/2002 Wang Yao D3/282
 6,485,017 B1 * 11/2002 Ng A63F 9/0078
 273/108
 D474,340 S * 5/2003 Vasudeva D3/276
 D507,877 S * 8/2005 Lin D3/282

D516,811 S * 3/2006 Kahle D3/282
 D563,669 S * 3/2008 Bosak D3/282
 D566,392 S * 4/2008 Aglassinger D3/282
 D569,617 S * 5/2008 Lin D3/282
 D572,479 S * 7/2008 Buck D3/282
 D599,414 S * 9/2009 Krise D21/397
 D606,126 S * 12/2009 Ujita D21/397
 D613,506 S * 4/2010 Aglassinger D3/282
 D639,059 S * 6/2011 Fraiman D3/282
 D645,663 S * 9/2011 Henley D3/294
 D655,503 S * 3/2012 Deguglimo D3/293
 D664,356 S * 7/2012 Liao D3/282
 D691,802 S * 10/2013 Lin D3/282
 D703,437 S * 4/2014 Bar-Erez B25H 3/02
 D711,105 S * 8/2014 Brunner D3/281
 D719,352 S * 12/2014 Shitrit D3/282
 D738,622 S * 9/2015 Sabbag D3/282
 D754,436 S * 4/2016 Ou D3/282
 D806,801 S * 1/2018 Shindo D21/338
 D811,487 S * 2/2018 Shindo D21/338
 D834,651 S * 11/2018 Schultheis D21/338
 D838,316 S * 1/2019 Shindo D21/461
 D841,982 S * 3/2019 Kogel D3/282
 D844,986 S * 4/2019 Zhao D3/298
 D846,875 S * 4/2019 Nelson D3/282
 D848,738 S * 5/2019 Zhao D3/294
 D849,402 S * 5/2019 Tonelli D3/276
 D851,399 S * 6/2019 Sarfati D3/282
 D854,628 S * 7/2019 Saito D21/460
 D855,118 S * 7/2019 Saito D21/460
 2010/0159798 A1 * 6/2010 Bertrand A63H 1/02
 446/259
 2011/0189921 A1 * 8/2011 Andersen A63F 3/00643
 446/242
 2017/0239558 A1 * 8/2017 Shindo A63H 1/00
 2019/0184278 A1 * 6/2019 Campos A63H 1/04

* cited by examiner

FIG. 1

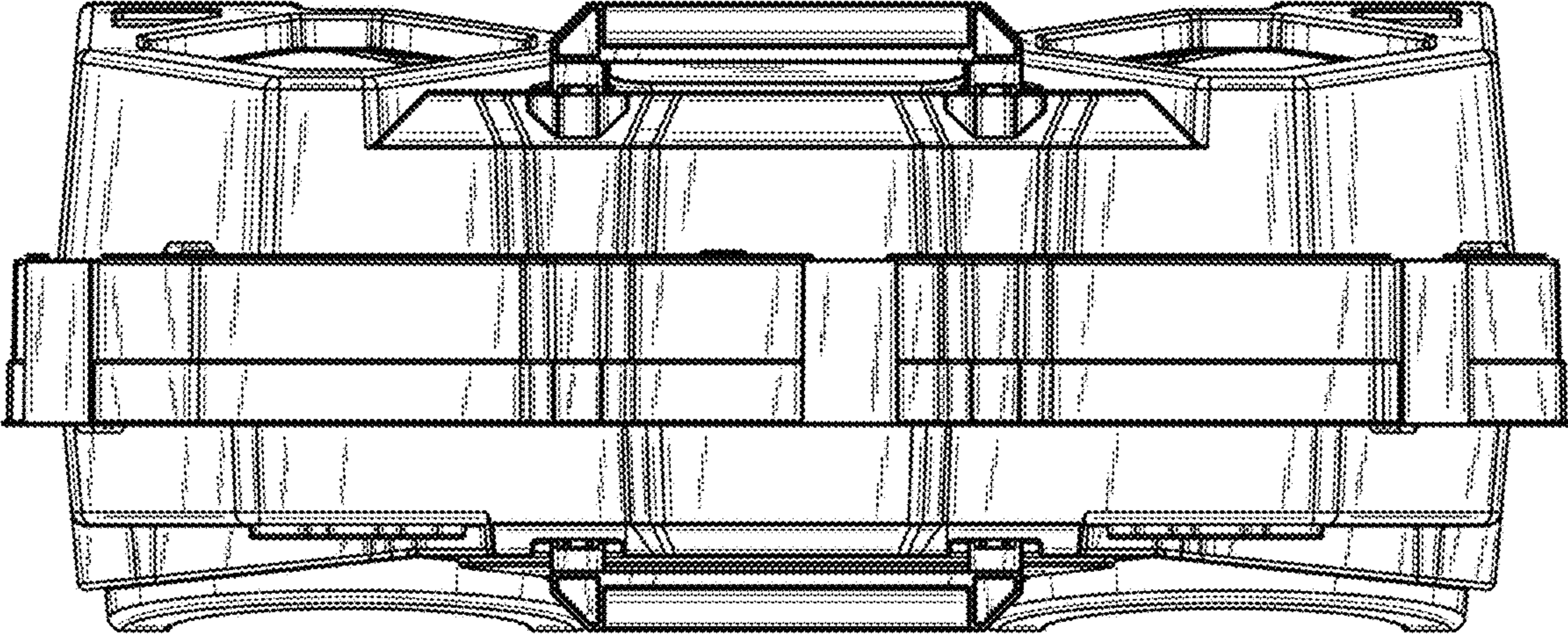


FIG. 2

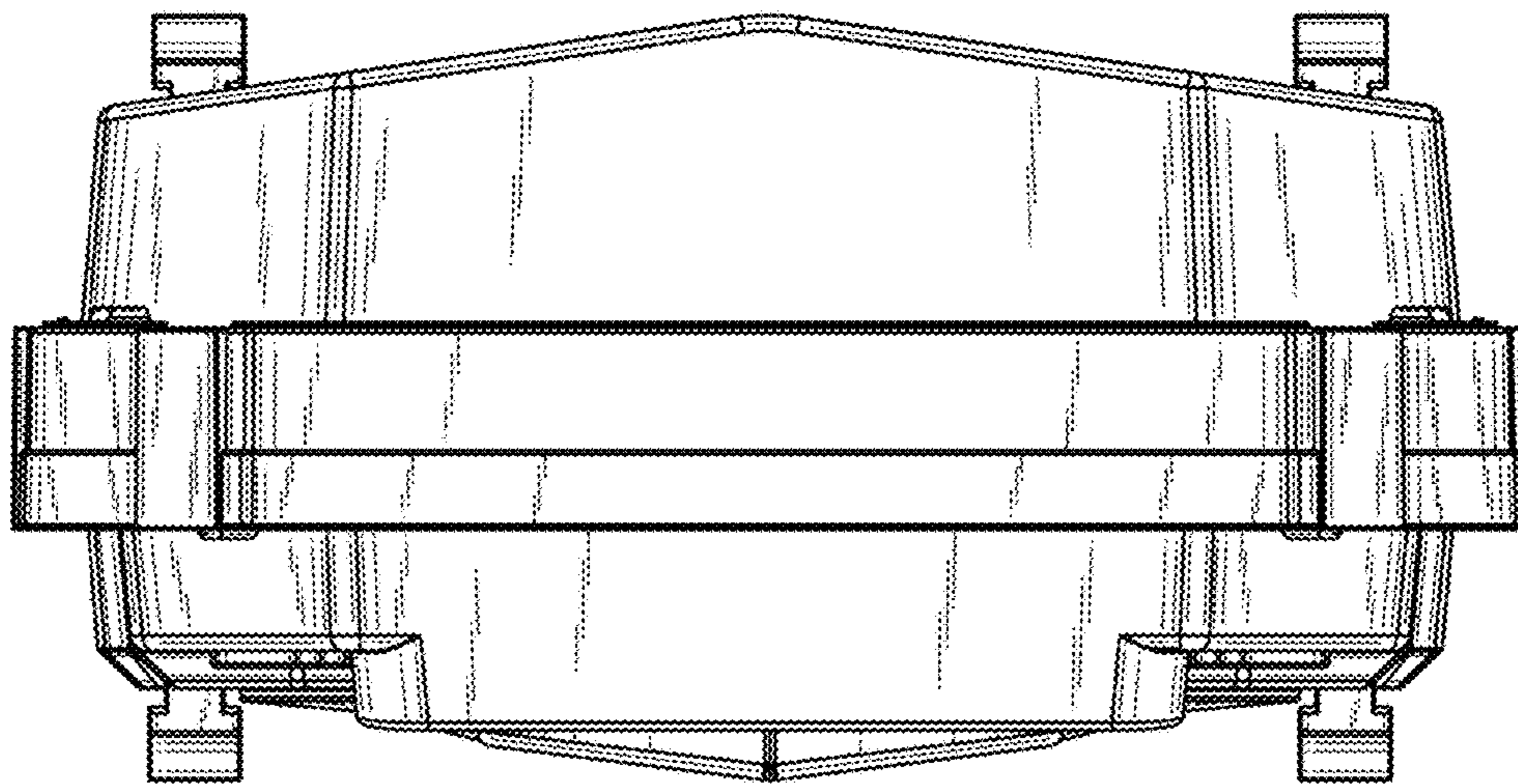


FIG. 3

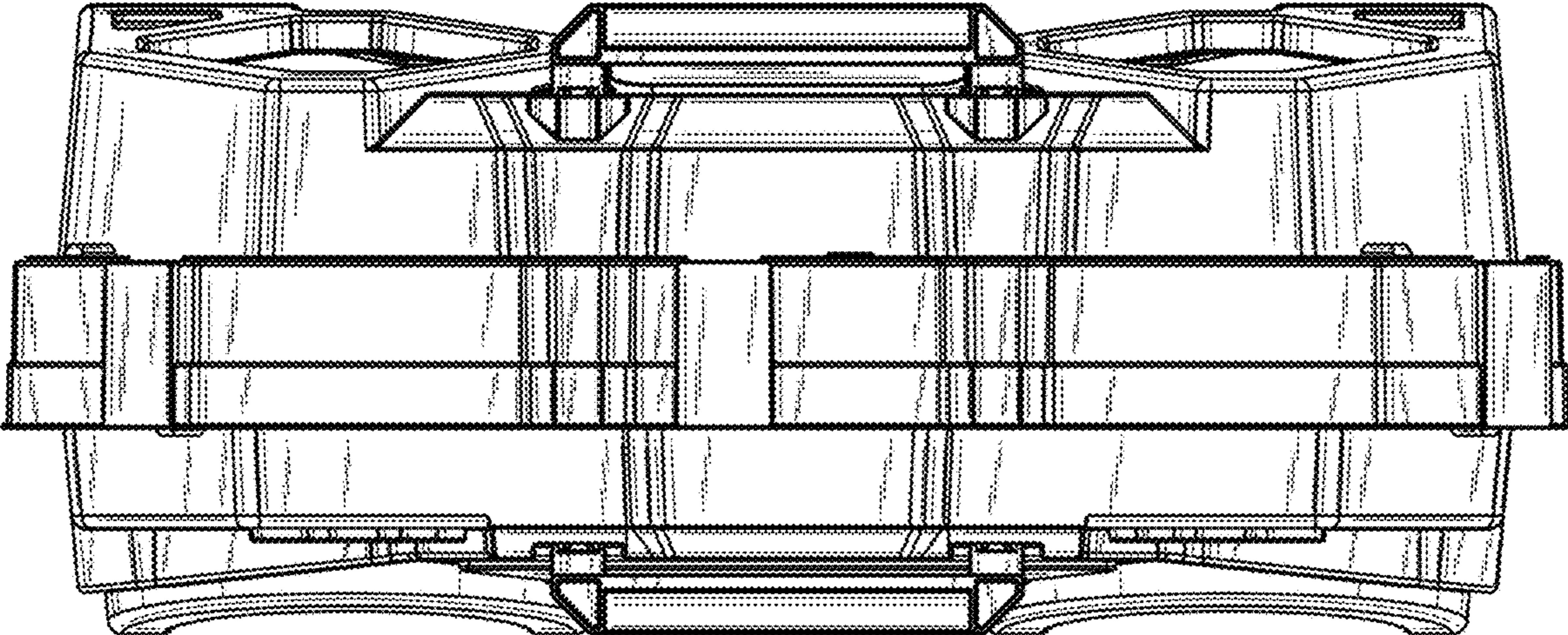


FIG. 4

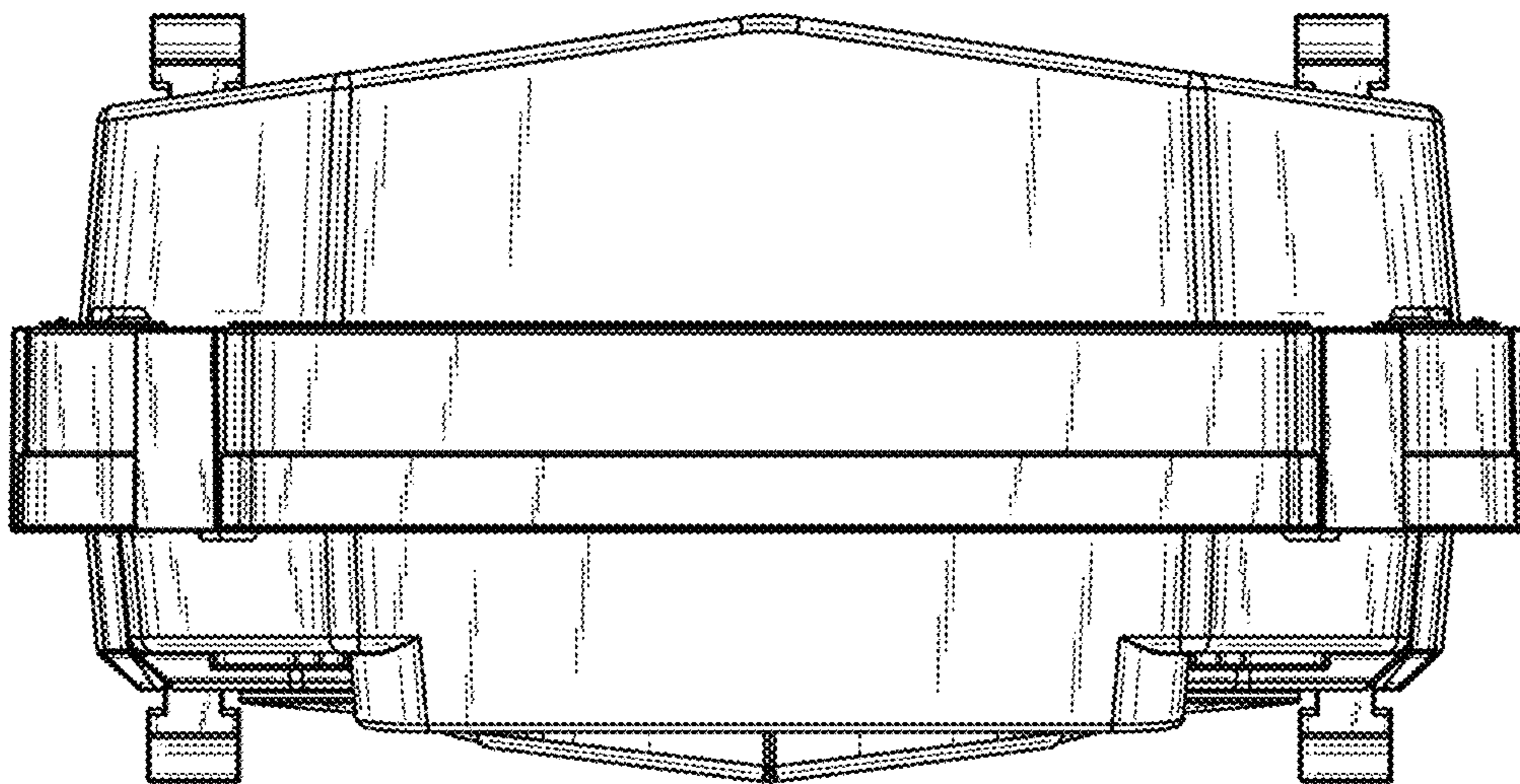


FIG. 5

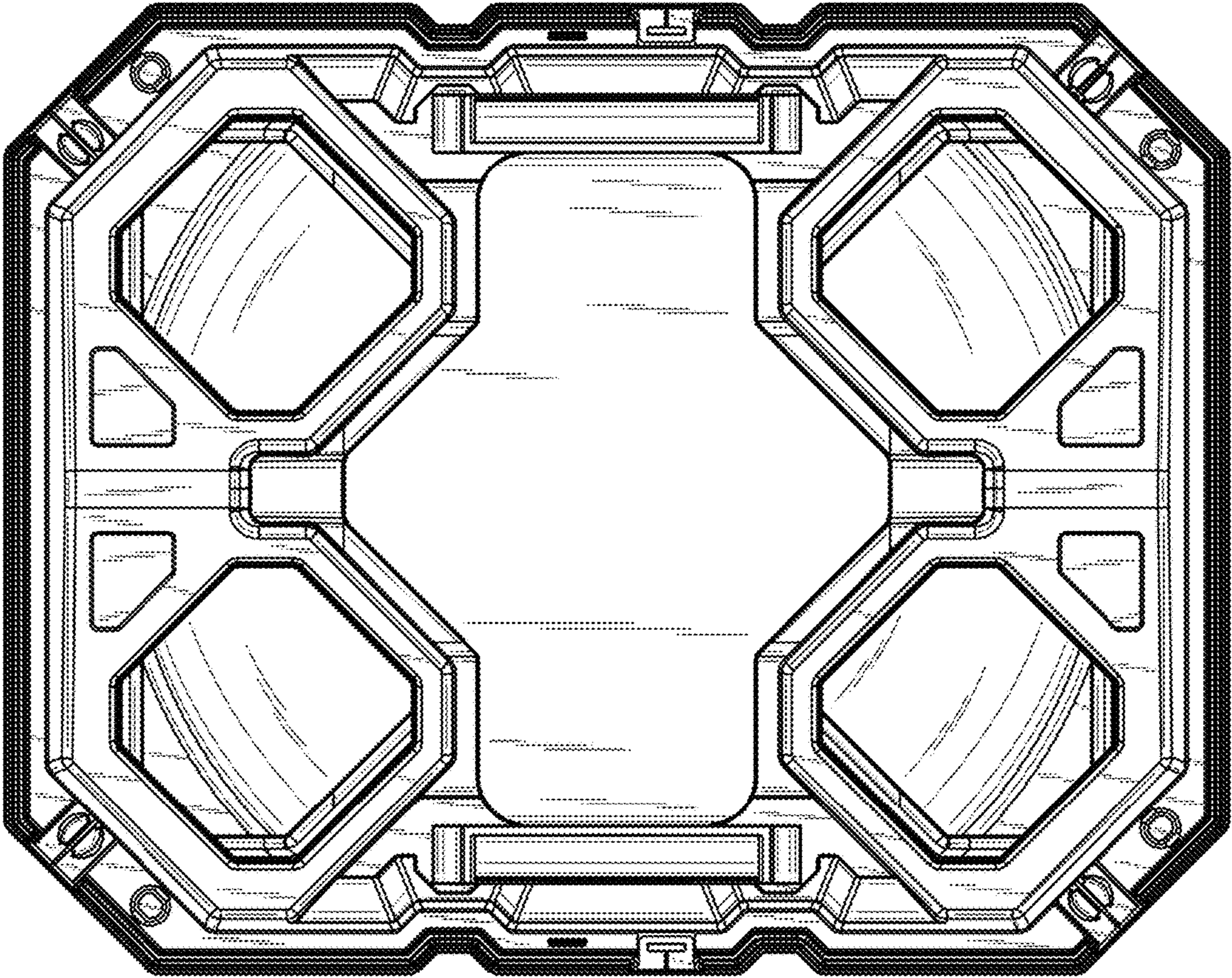


FIG. 6

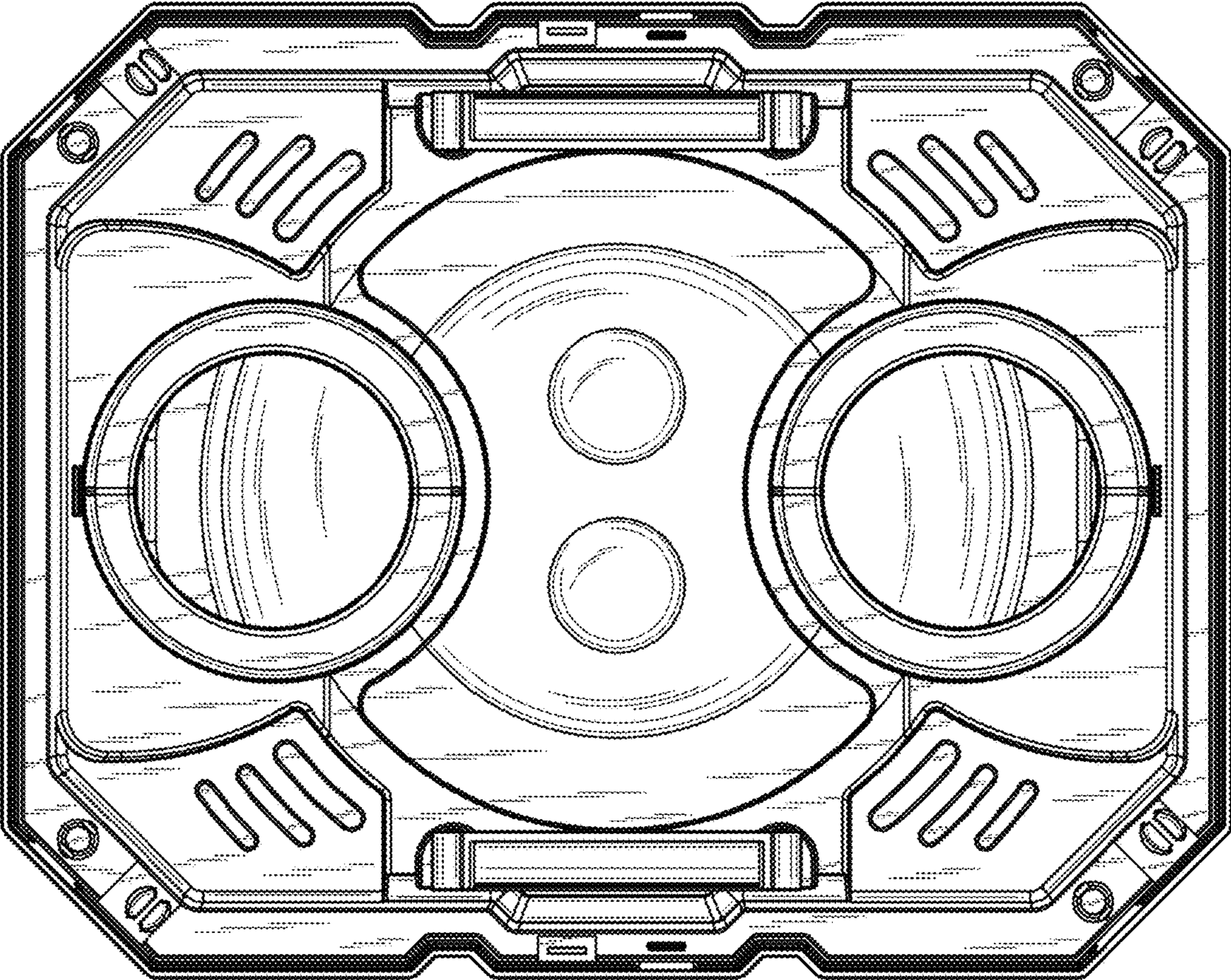


FIG. 7

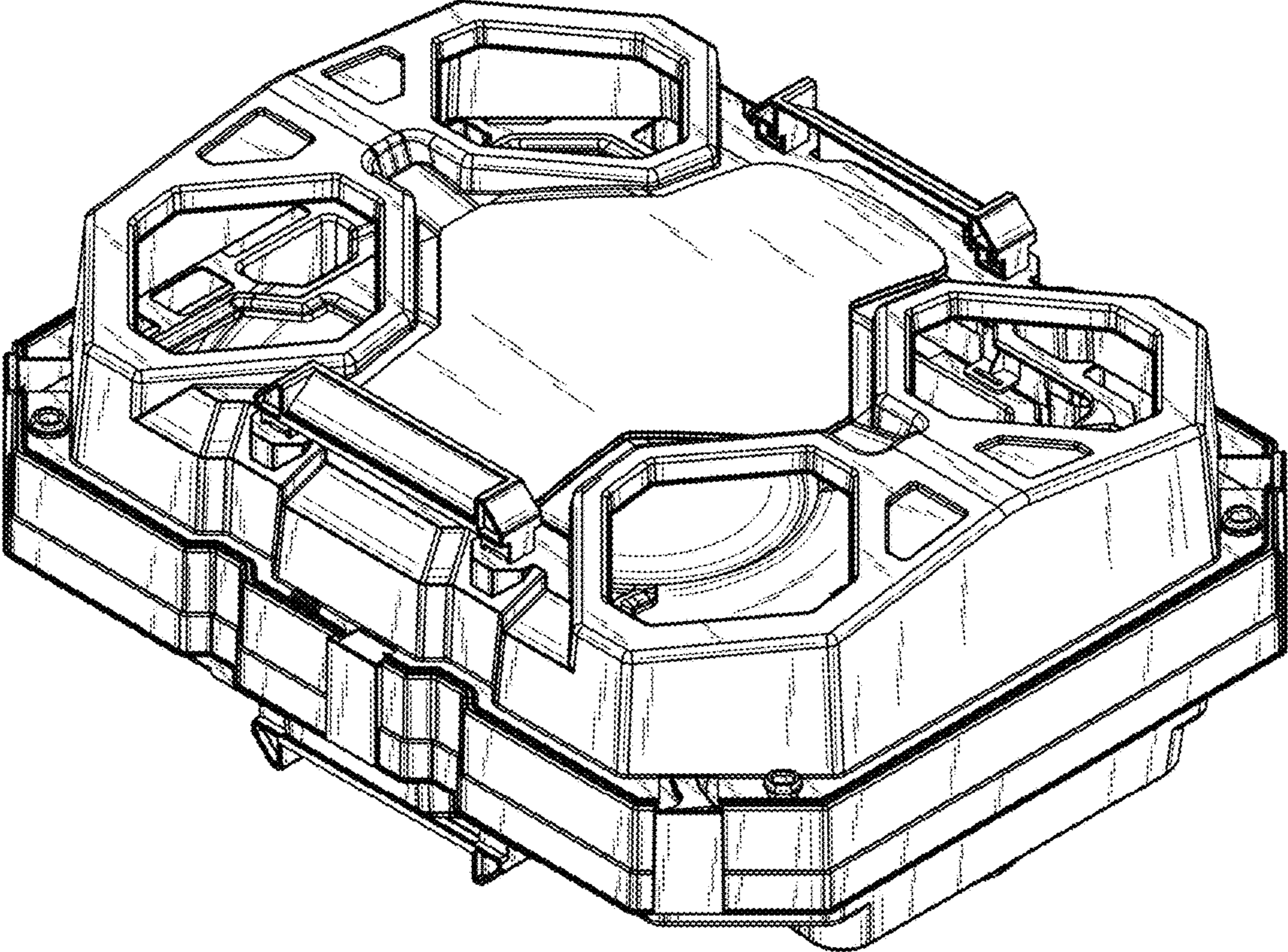


FIG. 8

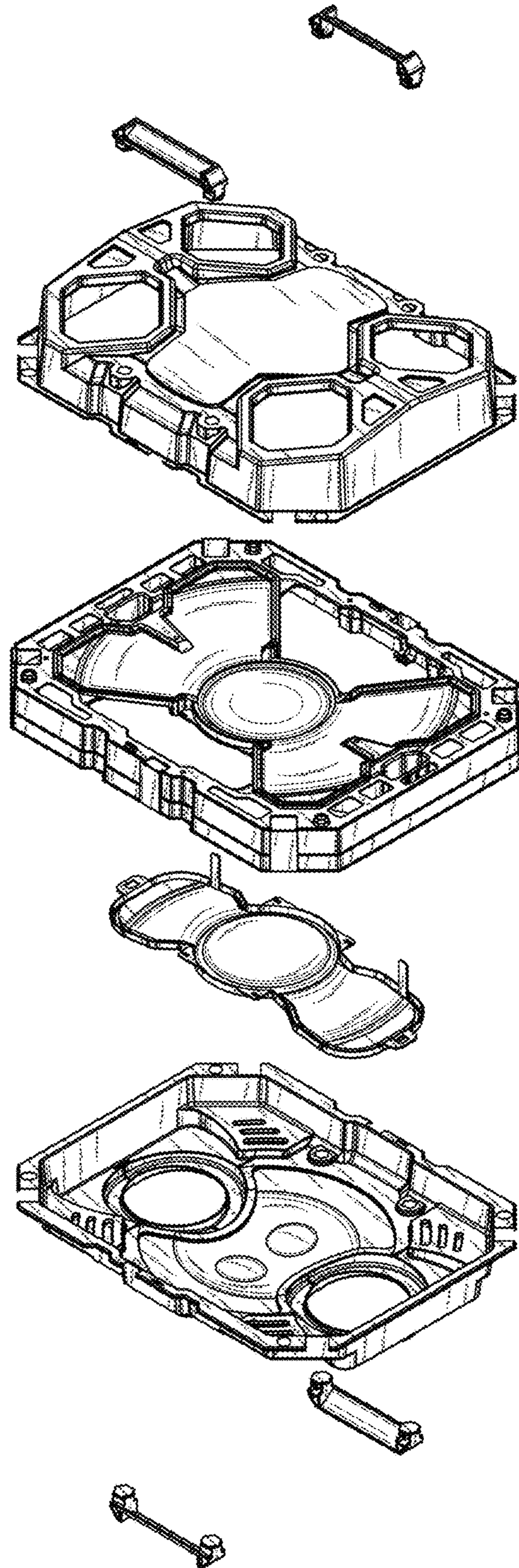


FIG. 9

