



US00D869557S

(12) **United States Design Patent**  
**Csokmay**

(10) **Patent No.:** **US D869,557 S**

(45) **Date of Patent:** **\*\* Dec. 10, 2019**

- (54) **PEN**
- (71) Applicant: **The Berea Hardwoods Co., Inc.**,  
Middleburg Heights, OH (US)
- (72) Inventor: **Joseph M. Csokmay**, Parma, OH (US)
- (73) Assignee: **The Berea Hardwood Co., Inc.**,  
Middleburg Heights, OH (US)
- (\*\*) Term: **15 Years**
- (21) Appl. No.: **29/642,267**
- (22) Filed: **Mar. 28, 2018**
- (51) **LOC (12) Cl.** ..... **19-06**
- (52) **U.S. Cl.**  
USPC ..... **D19/173; D19/907**
- (58) **Field of Classification Search**  
USPC ..... D19/115-204; D14/411  
CPC . B43K 5/005; B43K 7/12; B43K 8/04; B43K  
8/06; B43K 19/00; B43K 19/02; B43K  
19/14; B43K 21/006; B43K 21/06  
See application file for complete search history.

D446,547 S *	8/2001	Nagel	.....	D19/197
D495,364 S *	8/2004	Cetera	.....	D19/170
D552,681 S *	10/2007	Koch	.....	D19/173
D587,312 S *	2/2009	Cetera	.....	D19/196
D590,441 S *	4/2009	Koch	.....	D19/170
D596,228 S *	7/2009	Koch	.....	D19/173
D647,963 S *	11/2011	Chu	.....	D19/184
D663,770 S *	7/2012	Koch	.....	D19/173
D670,761 S *	11/2012	Fleming	.....	D19/173
D689,933 S *	9/2013	Li	.....	D19/171
D740,362 S *	10/2015	Koo	.....	D19/171
D748,727 S *	2/2016	Fan	.....	D19/172
D783,022 S *	4/2017	Sirota	.....	D14/411
D797,191 S *	9/2017	Schnug	.....	D19/171
D817,401 S *	5/2018	Csokmay	.....	D19/196
D826,328 S *	8/2018	Bo	.....	D19/173
D826,330 S *	8/2018	Bo	.....	D19/173
D834,090 S *	11/2018	Xu	.....	D19/199

\* cited by examiner

*Primary Examiner* — Elizabeth A. Albert

(74) *Attorney, Agent, or Firm* — Sand, Sebolt & Wernow Co., LPA

(57) **CLAIM**

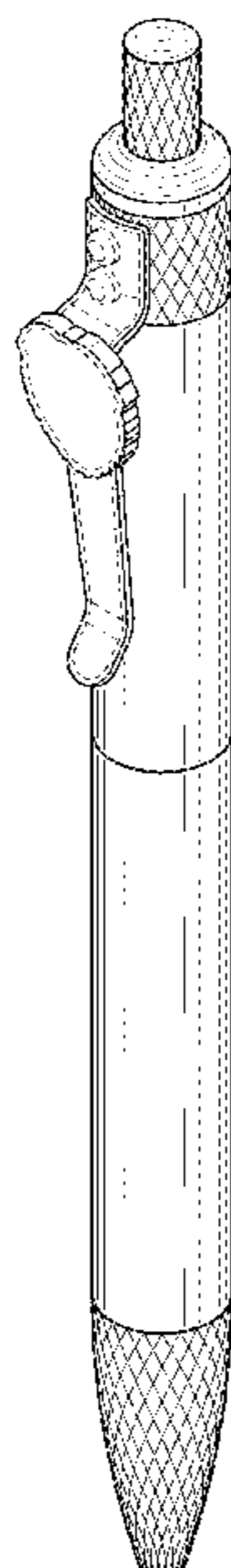
The ornamental design for a pen, as shown and described.

**DESCRIPTION**

FIG. 1 is a top, front right isometric perspective view of a first embodiment of a pen in accordance with my design; FIG. 2 is a front elevation view thereof; FIG. 3 is a rear elevation view thereof; FIG. 4 is a left side elevation view thereof; FIG. 5 is a right side elevation view thereof; FIG. 6 is a top plan view thereof; and, FIG. 7 is a bottom plan view thereof. The broken lines illustrate portions of the pen which form no part of the claimed design.

**1 Claim, 4 Drawing Sheets**

- (56) **References Cited**  
U.S. PATENT DOCUMENTS
- 1,263,327 A \* 4/1918 Kristofer ..... B43K 25/022  
24/11 M
- 1,388,219 A \* 8/1921 Thompson ..... B43K 25/024  
40/1.5
- 1,479,957 A \* 1/1924 Cruver ..... B43K 25/024  
24/11 F
- 2,007,245 A \* 7/1935 Gimonet ..... A45D 40/02  
132/218
- D105,022 S \* 6/1937 Larsen ..... D19/184
- D172,355 S \* 6/1954 Zimmer ..... D19/84
- D416,577 S \* 11/1999 Andrews ..... D19/174
- D431,835 S \* 10/2000 Cheng ..... D19/196



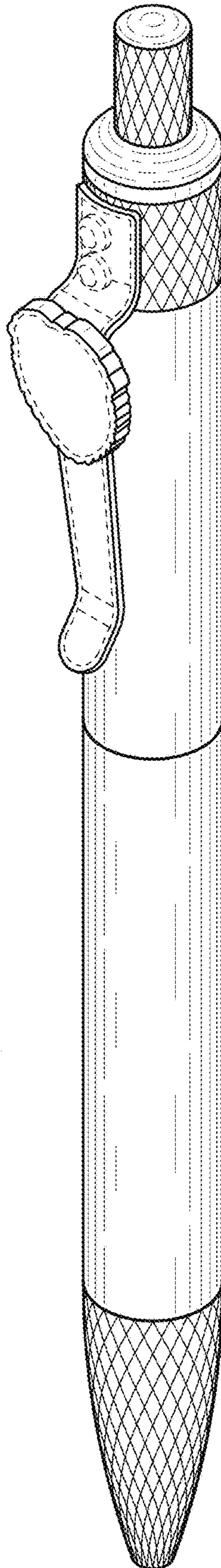


FIG. 1

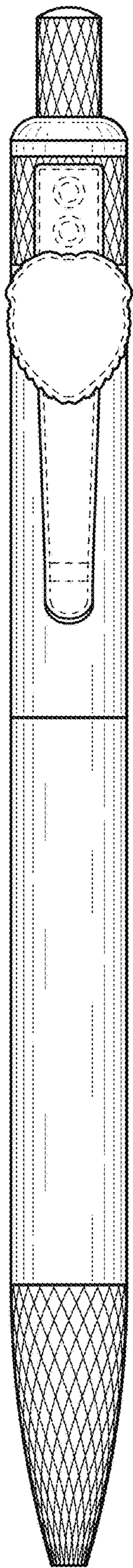


FIG. 2

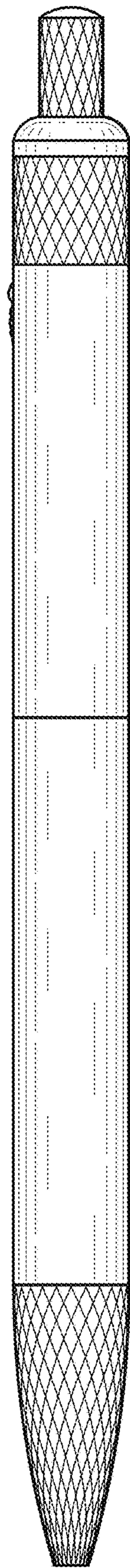


FIG. 3

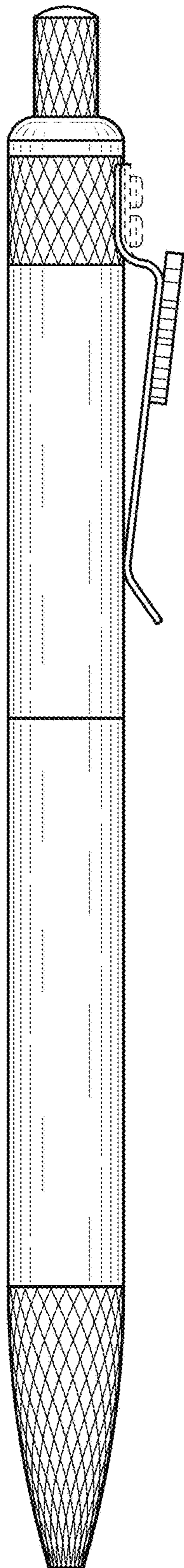


FIG. 4

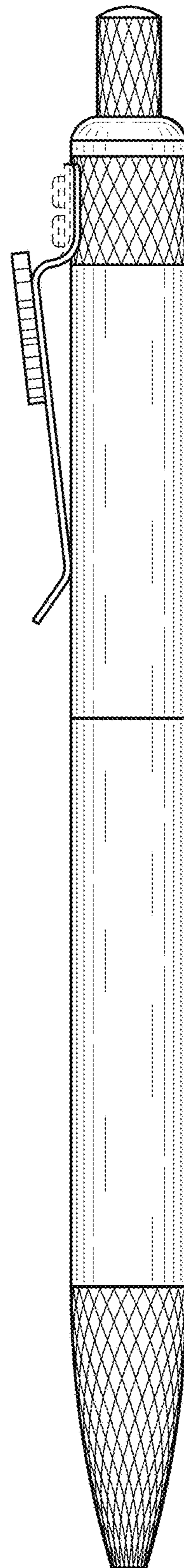


FIG. 5

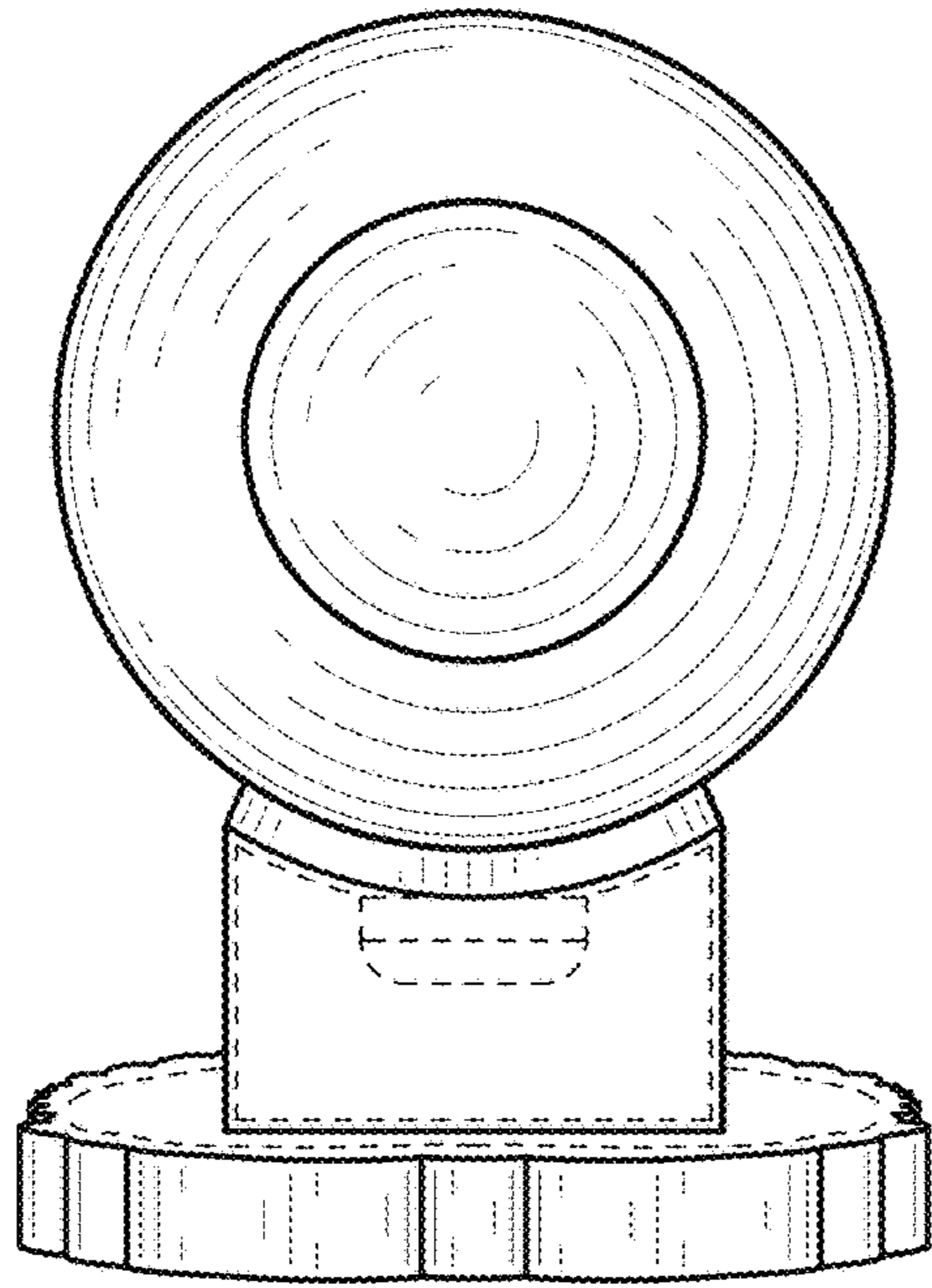


FIG. 6

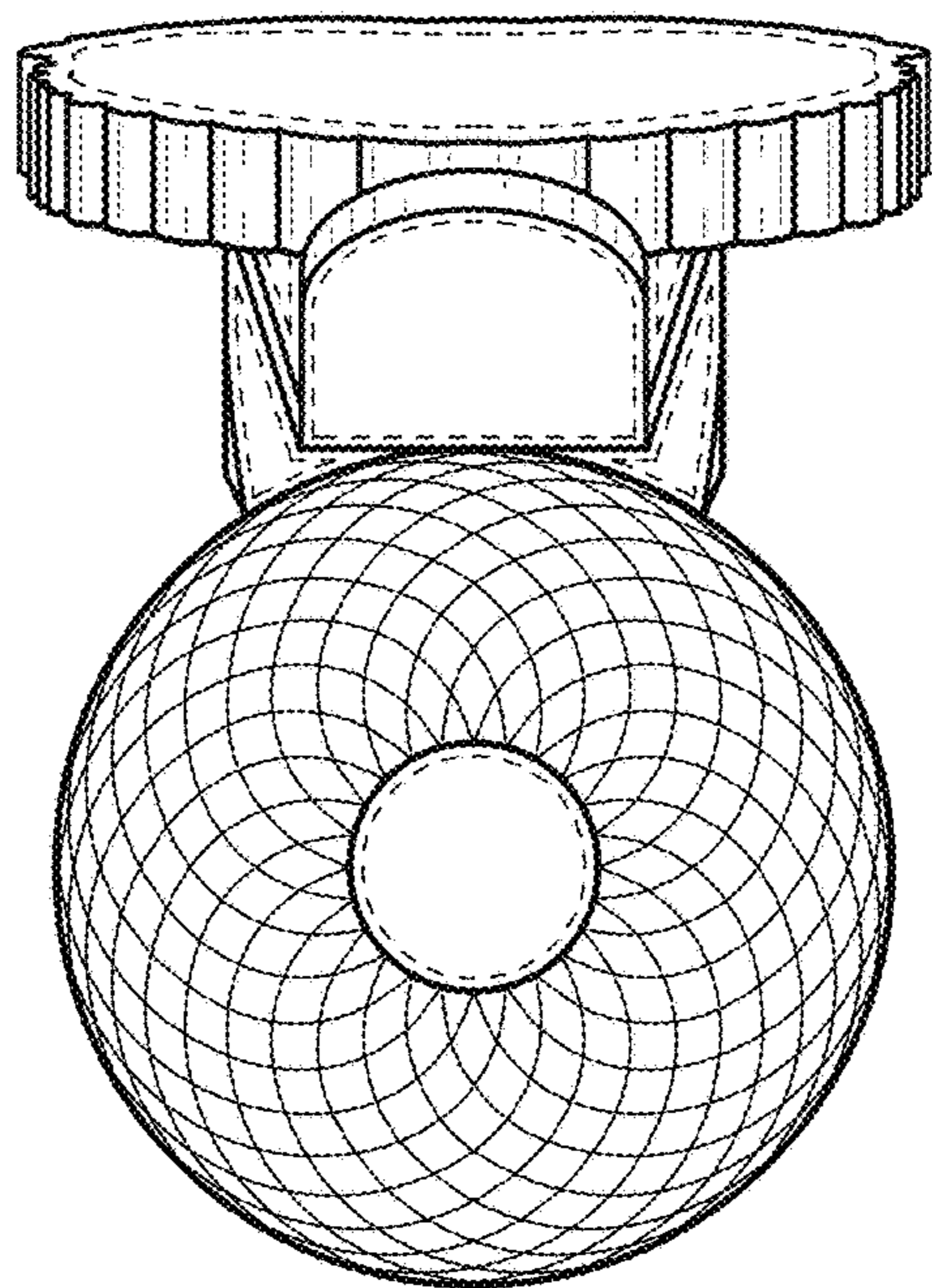


FIG. 7