

US00D869554S

(12) **United States Design Patent**
Despres

(10) **Patent No.:** **US D869,554 S**

(45) **Date of Patent:** **** Dec. 10, 2019**

- (54) **CLIP FOR BUNDLED ARTICLES**
- (71) Applicant: **Michael J. Despres**, Rockford, MI (US)
- (72) Inventor: **Michael J. Despres**, Rockford, MI (US)
- (73) Assignee: **GCK Products, LLC**, Rockford, MI (US)
- (**) Term: **15 Years**
- (21) Appl. No.: **29/643,612**
- (22) Filed: **Apr. 10, 2018**
- (51) **LOC (12) Cl.** **19-02**
- (52) **U.S. Cl.**
USPC **D19/65**
- (58) **Field of Classification Search**
USPC D19/65, 86, 99, 100; D8/394, 395
CPC ... B65D 67/02; B42F 1/02; B42F 1/04; B42F 1/06; B42F 1/006; F16B 2/245; Y10T 24/20; Y10T 24/202; Y10T 24/203; Y10T 24/44872; Y10T 24/44863; Y10T 24/44923; Y10T 24/44932
See application file for complete search history.

(56) **References Cited**

U.S. PATENT DOCUMENTS

- 1,133,388 A * 3/1915 Merrill G09F 3/20
40/650
- D60,275 S * 1/1922 Spengler D19/65
- 1,429,182 A * 9/1922 Ashley B42F 1/006
24/557
- D204,159 S * 3/1966 Plasecki D8/395
- 3,911,531 A * 10/1975 Buturuga B42F 1/006
24/10 R
- D252,246 S * 7/1979 Christian D8/349
- D302,567 S * 8/1989 Olson D19/65
- 5,249,336 A * 10/1993 Miller B42F 1/006
24/303

- D356,340 S * 3/1995 Browning, Jr. D19/65
- D373,524 S * 9/1996 Mainville D8/395
- 5,666,702 A * 9/1997 Ming-Chieh B42F 1/006
24/338
- 5,950,283 A * 9/1999 Sato B42F 1/006
24/67 R
- 6,322,306 B1 * 11/2001 Dutton F16B 2/245
411/120
- 6,327,749 B1 * 12/2001 Antinone B42F 1/006
24/67 R
- 6,374,463 B1 * 4/2002 Kaufman B42F 1/12
24/563
- D485,780 S * 1/2004 Thomson B42F 1/006
D11/78.1
- D487,482 S * 3/2004 Disher D19/65
- D518,367 S * 4/2006 Hay D8/395
- 7,120,969 B2 * 10/2006 Carls B42F 1/006
24/67.3

(Continued)

Primary Examiner — Elizabeth A. Albert

(74) *Attorney, Agent, or Firm* — Gardner, Linn, Burkhardt & Ondersma LLP

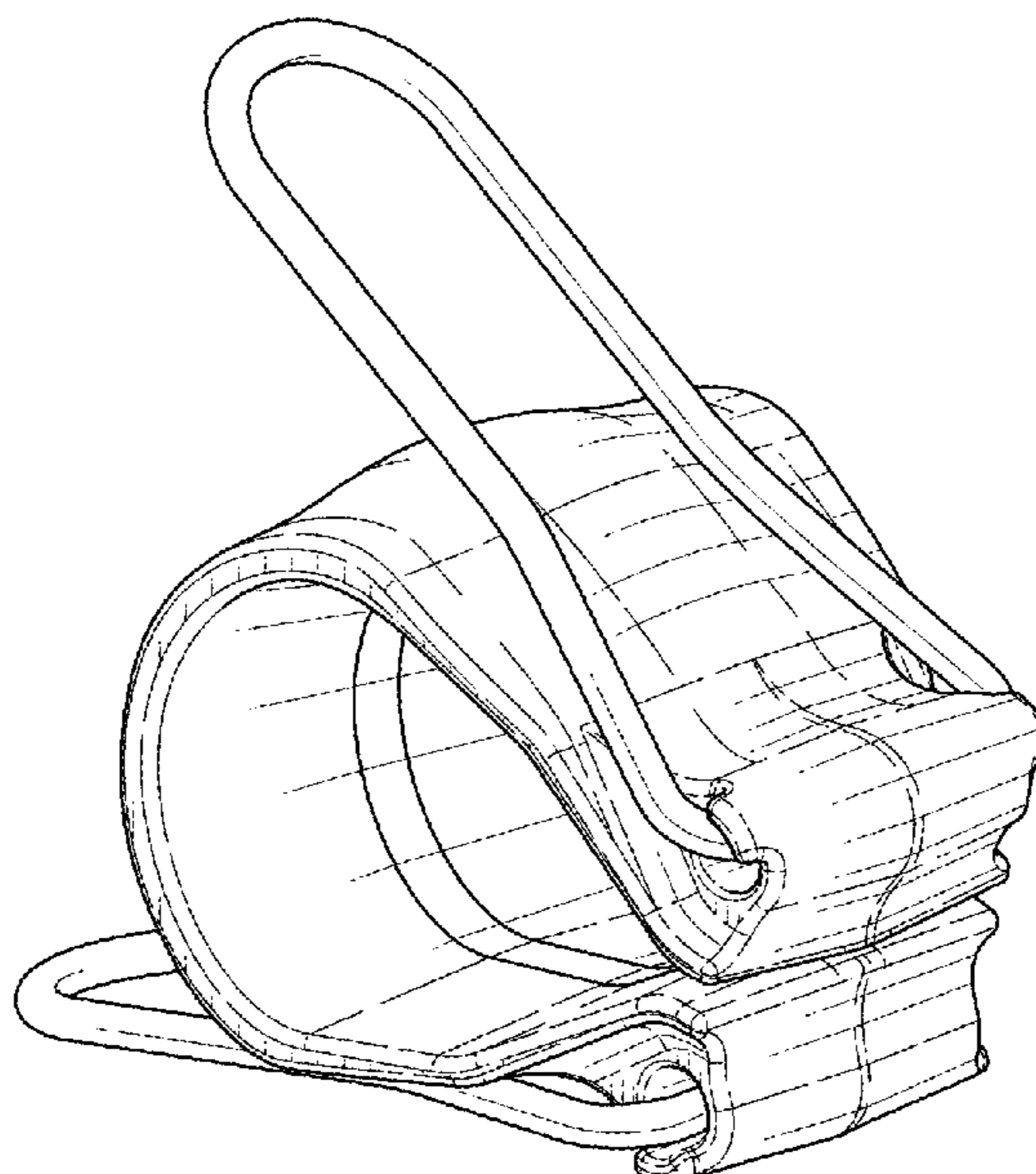
(57) **CLAIM**

The ornamental design for a clip for bundled articles, as shown and described.

DESCRIPTION

FIG. 1 is a front perspective view of a clip for bundled articles showing our new design;
 FIG. 2 is a rear perspective view thereof;
 FIG. 3 is a front elevation thereof;
 FIG. 4 is a rear elevation thereof; and
 FIG. 5 is a right side elevation thereof, wherein a left side elevation is a mirror image of the right side elevation; and,
 FIG. 6 is a top plan view therefore, wherein a bottom plan view is the same as the top plan view.
 In the drawings, the broken lines depict unclaimed subject matter only and form no part of the claimed design.

1 Claim, 2 Drawing Sheets



(56)

References Cited

U.S. PATENT DOCUMENTS

8,104,149	B1	1/2012	McGarity	
D663,774	S *	7/2012	Lau	D19/65
D667,885	S *	9/2012	Wang	D19/65
D684,629	S *	6/2013	Lau	D19/65
D691,032	S *	10/2013	Chen	D8/396
D701,565	S *	3/2014	Lin	D19/65
D708,938	S *	7/2014	Perlman	D8/395
D784,118	S *	4/2017	Reddy	D8/356
D793,646	S *	8/2017	Bacallao	D34/27
2015/0128382	A1	5/2015	Klein	
2015/0342313	A1	12/2015	Antinone	
2018/0245612	A1 *	8/2018	Despres	B42F 1/06

* cited by examiner

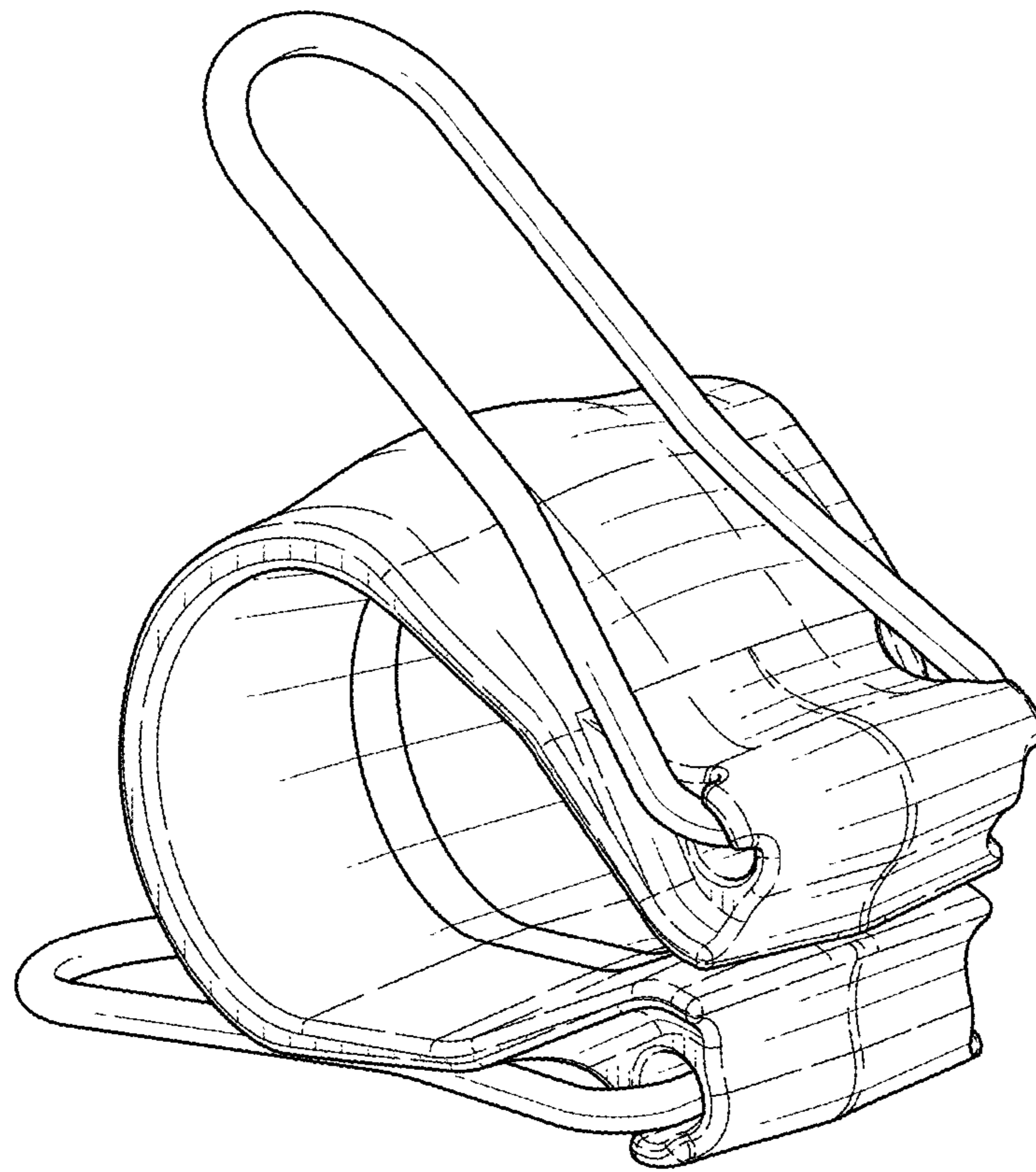


FIG. 1

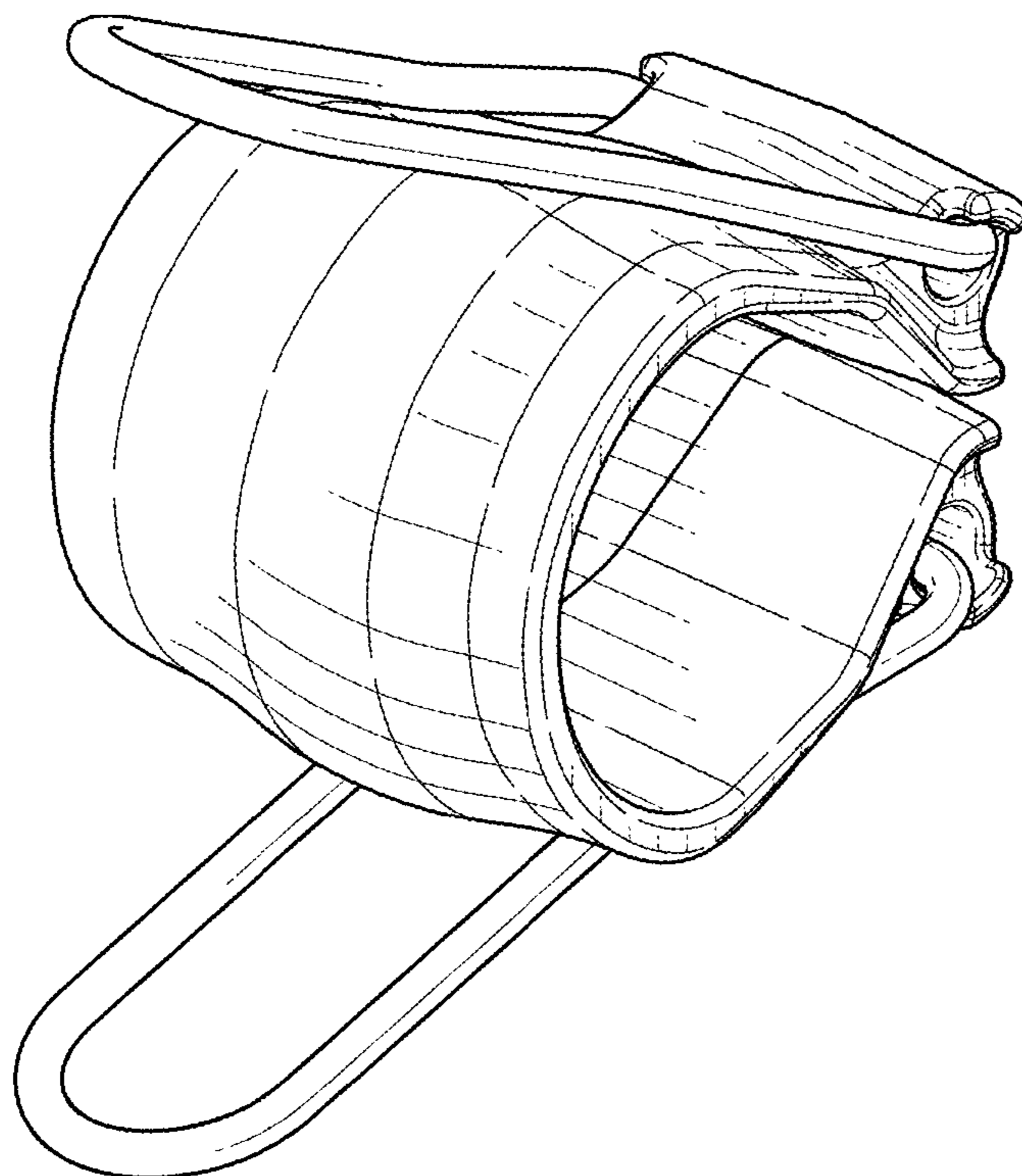


FIG. 2

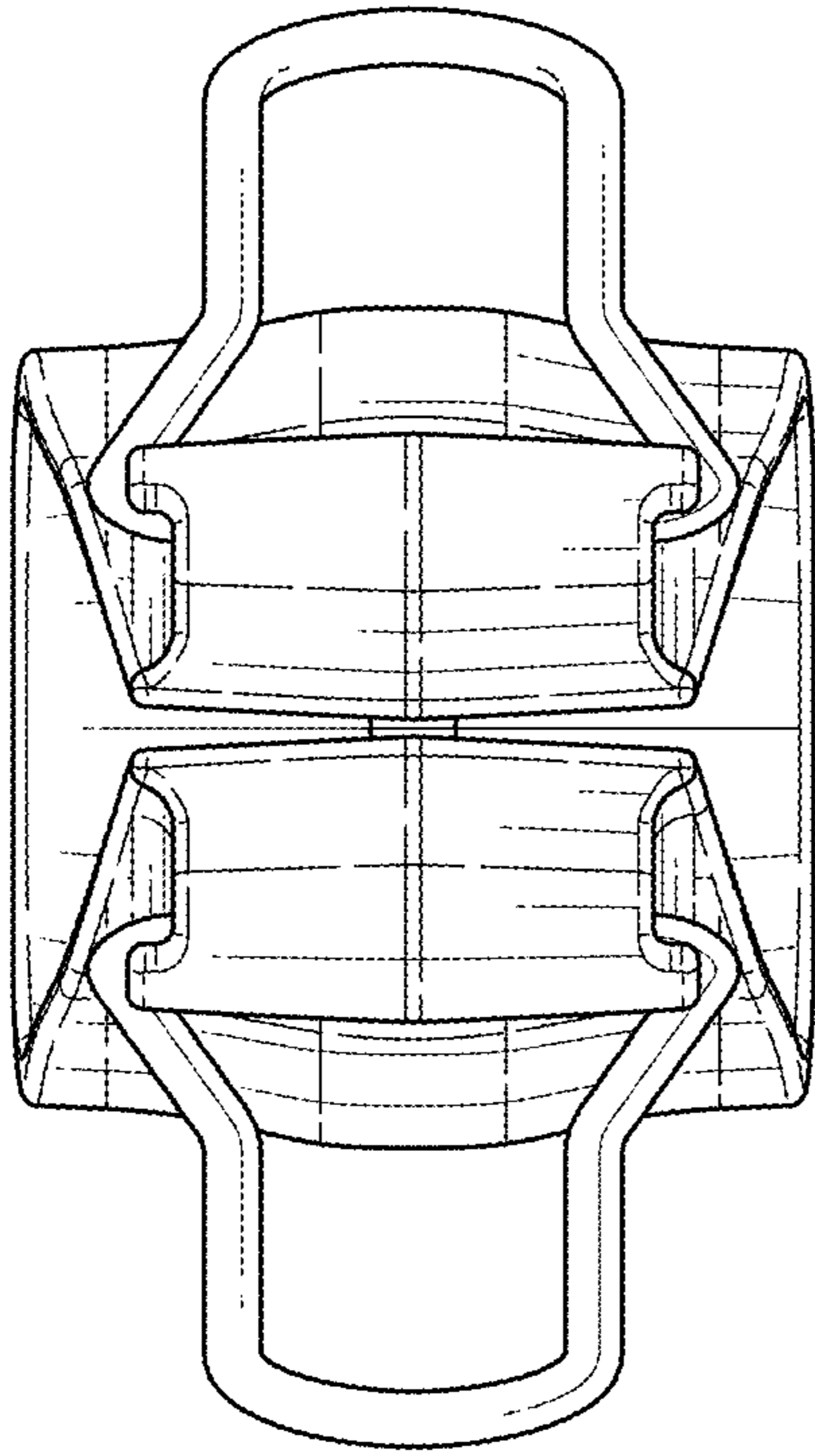


FIG. 3

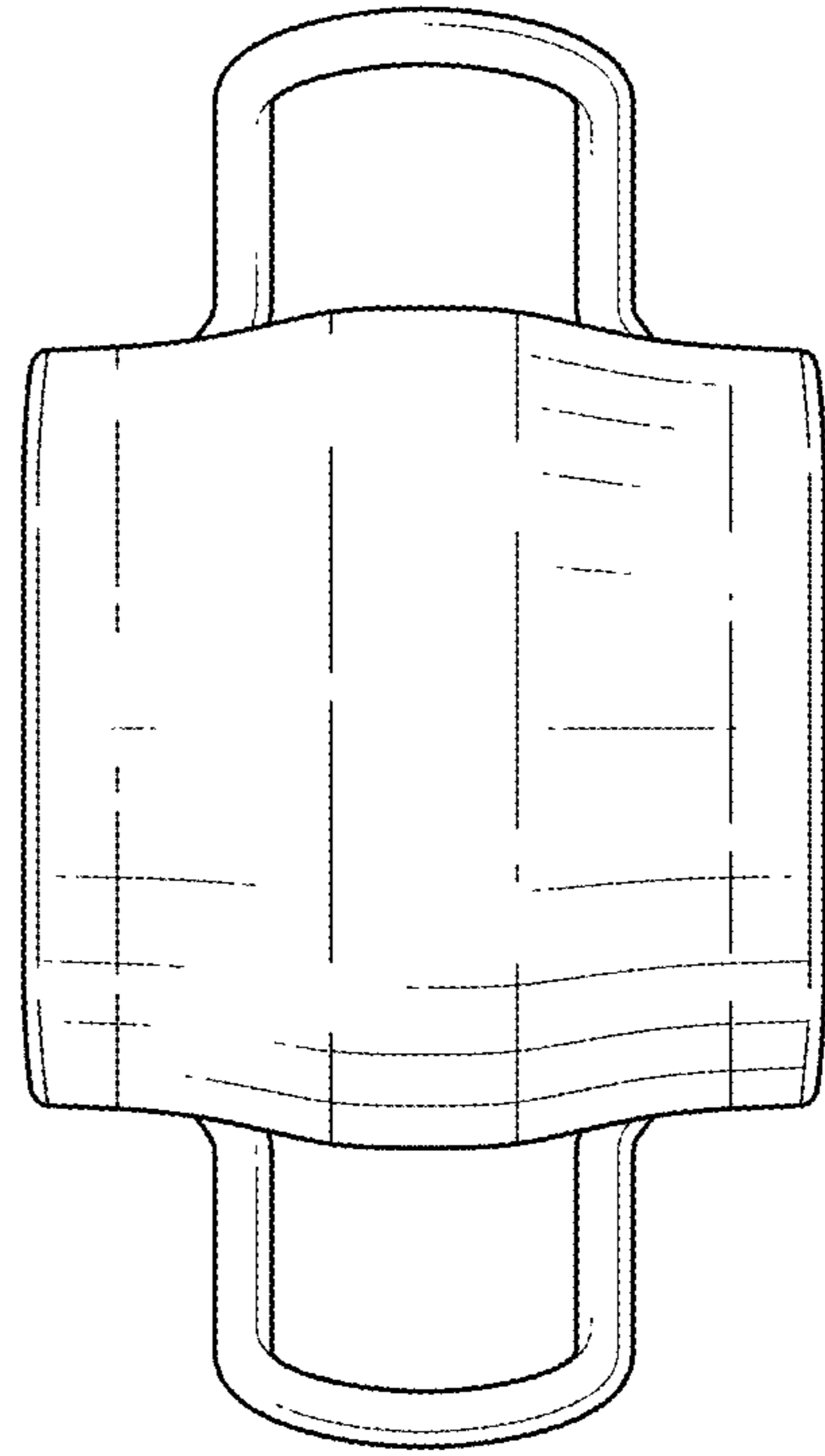


FIG. 4

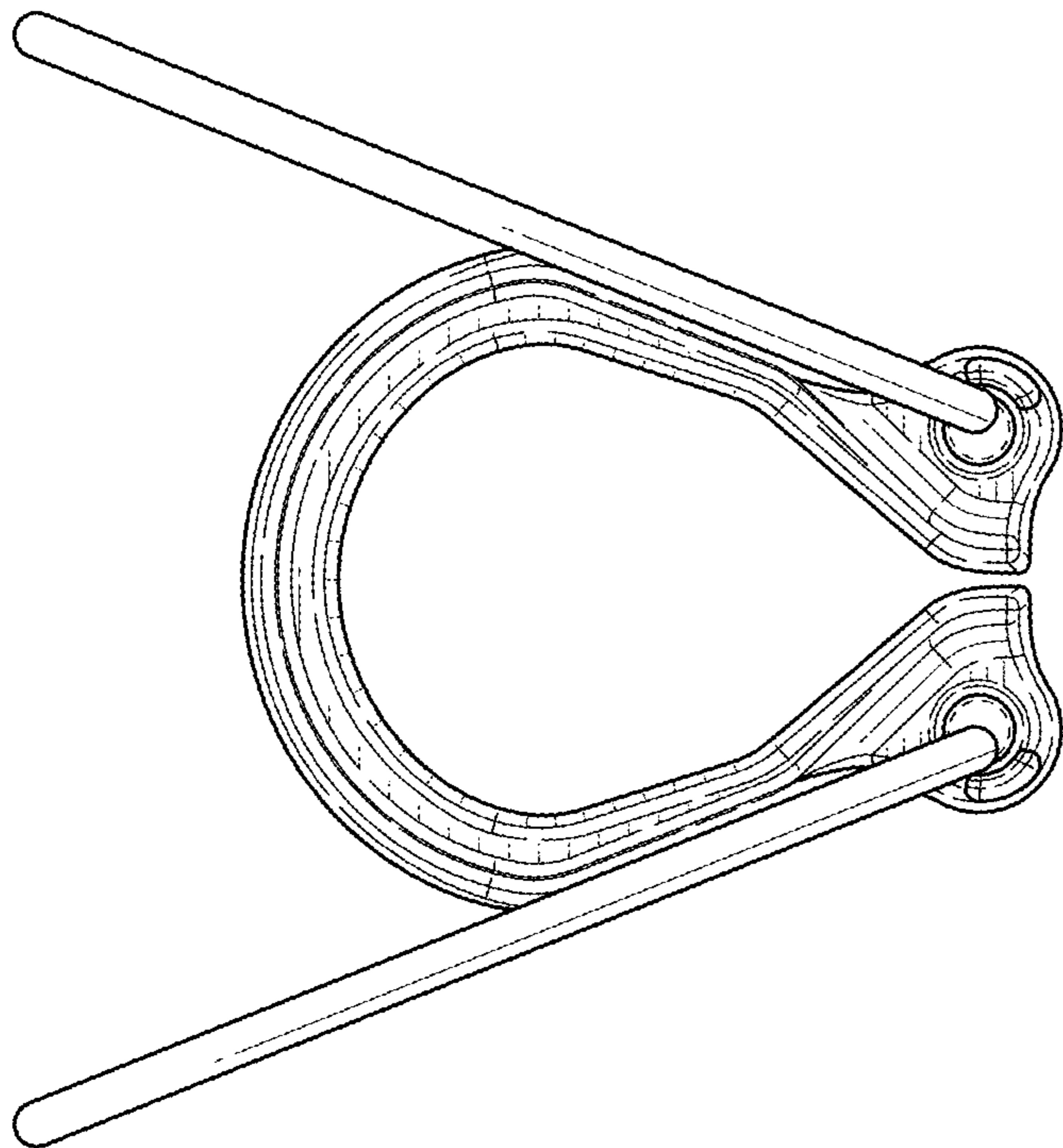


FIG. 5

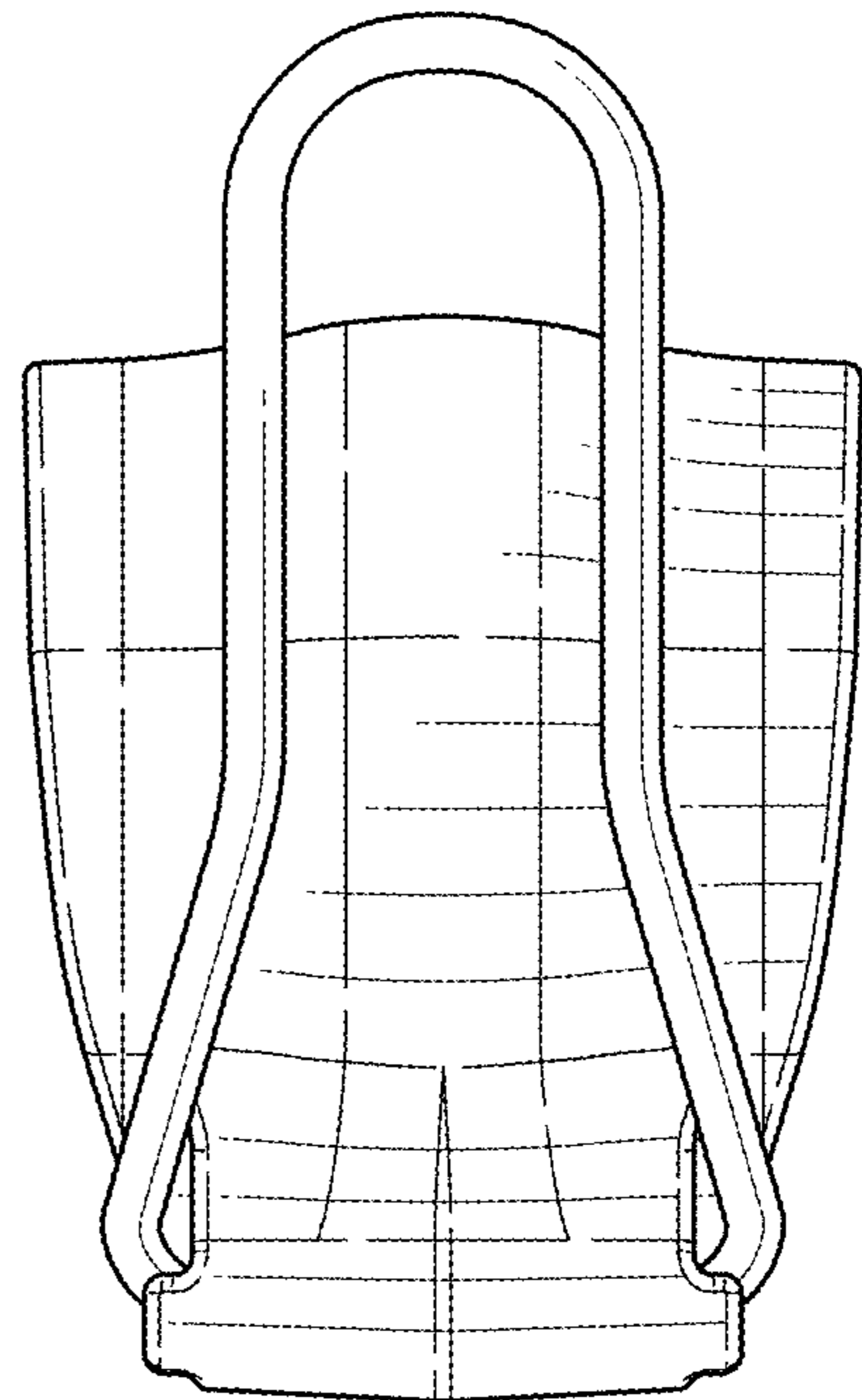


FIG. 6