



US00D869553S

(12) **United States Design Patent**  
**Bournot et al.**

(10) **Patent No.: US D869,553 S**

(45) **Date of Patent: \*\* Dec. 10, 2019**

(54) **ENDOSCOPY TRAINING MODULE**

(71) Applicant: **Coloplast A/S**, Humlebaek (DK)

(72) Inventors: **Anne Bournot**, Paris (FR); **Olivier Traxer**, Paris (FR)

(73) Assignee: **Coloplast A/S**, Humlebaek (DK)

(\*\*) Term: **15 Years**

(21) Appl. No.: **29/546,242**

(22) Filed: **Nov. 20, 2015**

(51) **LOC (12) Cl.** ..... **19-07**

(52) **U.S. Cl.**  
USPC ..... **D19/62; D6/671.1**

(58) **Field of Classification Search**  
USPC ..... D19/59-64, 92; 434/87, 127, 128, 130, 434/159, 170, 172, 188, 189, 224, 234, 434/236, 238, 258-262, 267-268, 271, 434/272, 276, 307 R, 370, 393, 401; D10/76; D21/372, 483, 525, 529, 662, D21/694, 791; 273/146, 237, 239, 259, 273/272, 274, 283, 296, 299, 454; D3/203.7, 215, 272, 273, 276, 279, D3/280-284, 304, 310; 446/75, 473; D6/667, 671.1  
CPC ..... A61B 90/36; A63B 67/02; A63B 67/066; A63F 3/00; A63F 3/00006; A63F 3/00157; A63F 3/0023; A63F 3/00574; A63F 3/00895; A63F 3/0415; A63F 3/0423; A63F 3/0434; A63F 3/0478; A63F 9/00; A63F 9/0098; A63F 9/04; A63F 9/0604; A63F 9/24; A63H 33/30; G09B 1/00; G09B 1/02; G09B 1/32; G09B 1/34; G09B 1/36; G09B 17/00; G09B 19/00; G09B 19/02; G09B 19/003; G09B 19/061; G09B 19/08; G09B 23/00; G09B 23/24; G09B 23/28; G09B 23/285; G09B 23/30; G09B 23/32; G09B 23/34; G09B 23/183; G09B 23/185; G09B

(Continued)

(56) **References Cited**

U.S. PATENT DOCUMENTS

D170,651 S \* 10/1953 Palczewski ..... D3/280  
D177,591 S \* 5/1956 Robinson ..... D3/203.7

(Continued)

OTHER PUBLICATIONS

Dexter-Practice-Maps, Medical simulators, 2001, pp. 11-33.  
GI Mentor Brochure, May 2015.  
Office Action dated Apr. 20, 2017, in U.S. Appl. No. 29/456,243.

*Primary Examiner* — Susan Bennett Hattan

*Assistant Examiner* — Lauren D McVey

(74) *Attorney, Agent, or Firm* — Coloplast Corp.,  
Coloplast A/S; Nick Baumann

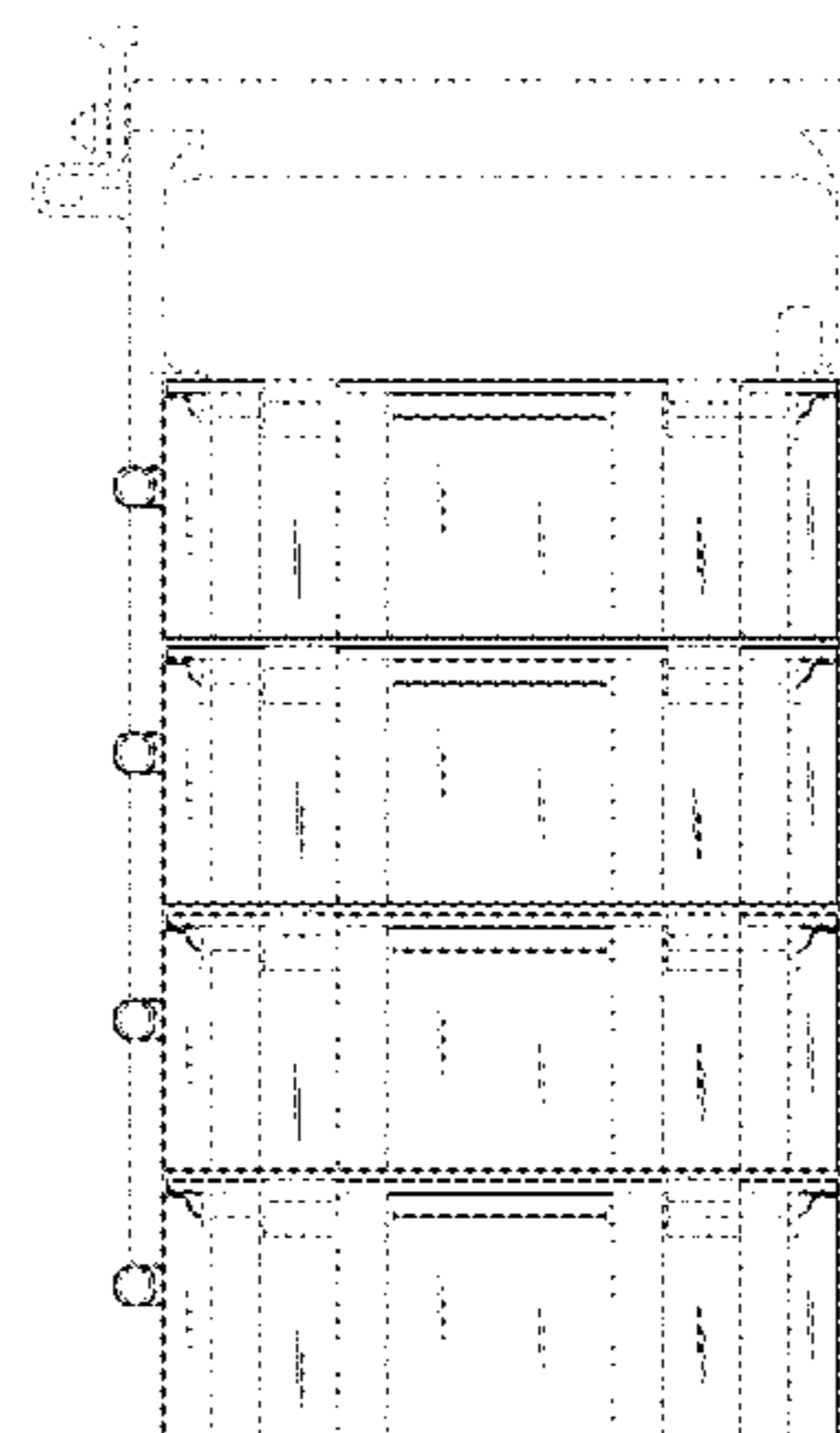
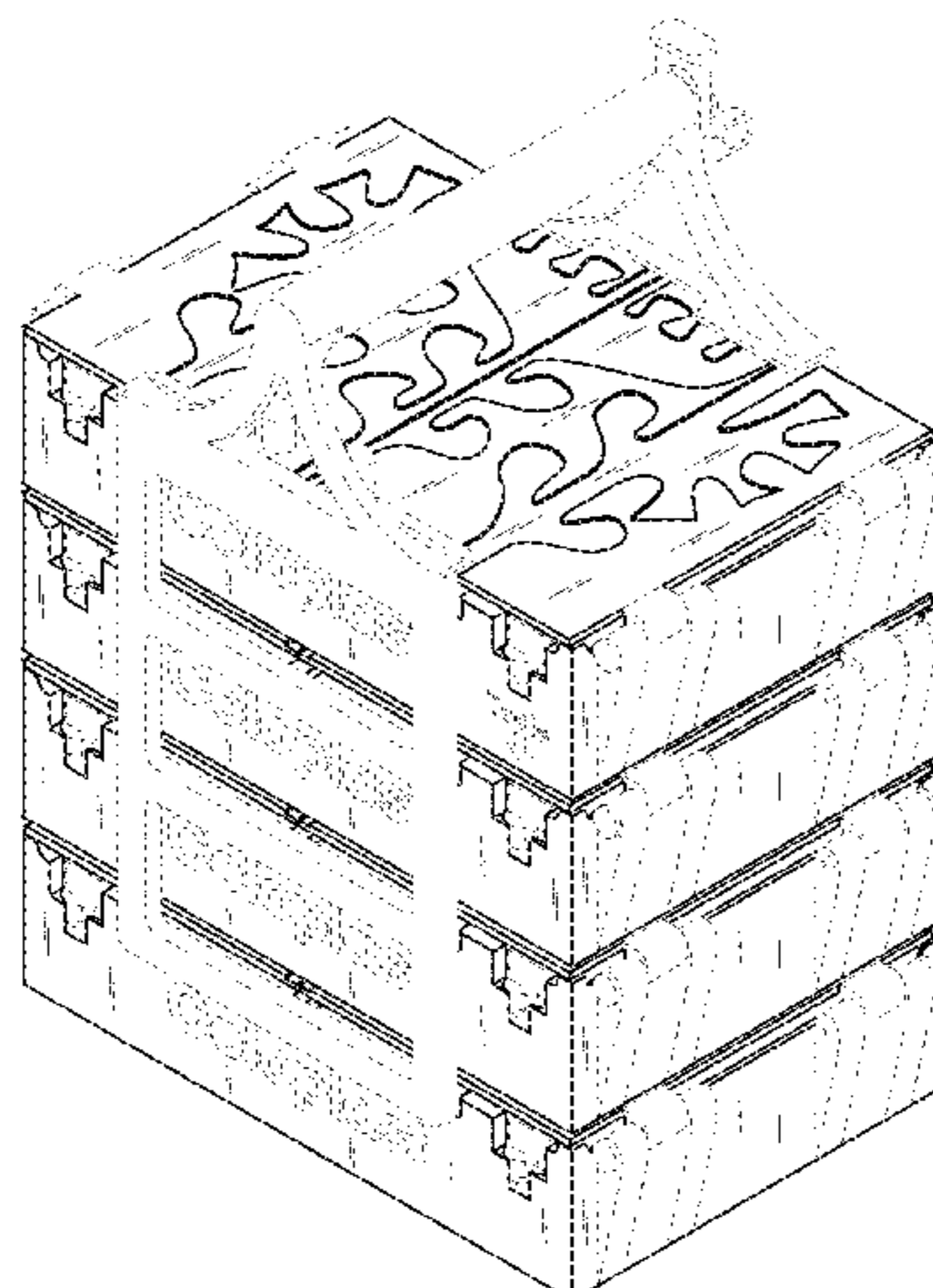
(57) **CLAIM**

The ornamental design for an endoscopy training module, as shown and described.

**DESCRIPTION**

FIG. 1 is a perspective view of an endoscopy training module;  
FIG. 2 is a front elevation view of the endoscopy training module illustrated in FIG. 1;  
FIG. 3 is a back elevation view of the endoscopy training module illustrated in FIG. 1;  
FIG. 4 is a left side elevation view of the endoscopy training module illustrated in FIG. 1;  
FIG. 5 is a right side elevation view of the endoscopy training module illustrated in FIG. 1;  
FIG. 6 is a top plan view of the endoscopy training module illustrated in FIG. 1; and  
FIG. 7 is a bottom plan view of the endoscopy training module illustrated in FIG. 1.  
The broken lines immediately adjacent the shaded areas depict the bounds of the claimed design while all other broken lines are directed to environment; the broken lines form no part of the claimed design.

**1 Claim, 7 Drawing Sheets**



(58) **Field of Classification Search**  
 CPC ..... 23/283; G09B 25/00; G09B 5/00; G09B  
 5/02; G09B 5/062; G09B 5/065; G09B  
 23/281; G06N 99/005  
 See application file for complete search history.

(56) **References Cited**  
 U.S. PATENT DOCUMENTS

3,276,146 A \* 10/1966 Epstein ..... G09B 23/30  
 434/270  
 3,376,659 A \* 4/1968 Asin ..... G09B 23/285  
 434/272  
 3,503,612 A \* 3/1970 Singer ..... A63F 3/0023  
 273/272  
 3,654,712 A \* 4/1972 Bagdasar ..... G09B 17/00  
 434/170  
 D253,556 S \* 12/1979 D'Alo ..... D3/276  
 4,332,569 A \* 6/1982 Burbank ..... G09B 23/285  
 434/272  
 D267,834 S \* 2/1983 Yew ..... D3/284  
 4,459,113 A \* 7/1984 Boscaro Gatti ..... G09B 23/285  
 434/272  
 D281,836 S \* 12/1985 Sparkman ..... D3/203.7  
 D282,762 S \* 2/1986 Catelli ..... D21/529  
 4,604,064 A 8/1986 Boehm et al.  
 D289,461 S \* 4/1987 Humphries ..... D3/203.7  
 4,861,305 A \* 8/1989 Wilson ..... A63H 33/30  
 446/473  
 D320,308 S \* 10/1991 Whitworth ..... D3/203.7  
 5,123,846 A 6/1992 Lewis  
 5,158,461 A \* 10/1992 Sulway ..... G09B 23/30  
 434/268  
 D341,388 S \* 11/1993 Rocco ..... D21/483  
 D355,935 S \* 2/1995 Hwang ..... D19/92  
 5,403,191 A \* 4/1995 Tuason ..... G09B 23/285  
 434/262  
 D380,299 S \* 7/1997 Schlaeger ..... D3/310  
 5,722,836 A \* 3/1998 Younker ..... G09B 23/285  
 434/258  
 D410,155 S \* 5/1999 Wang ..... D6/662.1  
 D416,384 S \* 11/1999 Bell ..... D3/272  
 D440,401 S \* 4/2001 Pauser ..... D3/273

6,659,776 B1 \* 12/2003 Aumann ..... G09B 23/285  
 434/262  
 D518,288 S 4/2006 Shoemaker et al.  
 D547,377 S 7/2007 Vazquez Gastellu  
 7,520,750 B2 \* 4/2009 Reed ..... A63F 3/00895  
 434/365  
 7,594,815 B2 \* 9/2009 Toly ..... G09B 23/285  
 434/262  
 D614,859 S \* 5/2010 Hansen ..... D3/203.7  
 D624,593 S \* 9/2010 Prendiville ..... D19/62  
 7,823,991 B2 \* 11/2010 Purdy ..... A47B 67/04  
 206/373  
 D630,851 S \* 1/2011 Landau ..... D3/279  
 8,007,281 B2 8/2011 Toly  
 D654,723 S \* 2/2012 Gormezano ..... D6/671.1  
 8,328,560 B2 12/2012 Niblock et al.  
 D693,155 S \* 11/2013 Wu ..... D6/672  
 D701,044 S \* 3/2014 Kishimoto ..... D3/272  
 D710,102 S \* 8/2014 Horovitz ..... D3/281  
 D716,869 S 11/2014 Fukaya et al.  
 D724,144 S 3/2015 Felger et al.  
 D726,818 S 4/2015 Yosick  
 D740,361 S 10/2015 Skelton et al.  
 D767,131 S \* 9/2016 Gomez ..... D24/138  
 D767,877 S \* 10/2016 Halko ..... D3/203.7  
 9,564,066 B1 2/2017 Alshhrani et al.  
 D827,855 S \* 9/2018 Bournot ..... D24/224  
 2005/0008997 A1 \* 1/2005 Herman ..... G09B 23/306  
 434/262  
 2005/0113850 A1 \* 5/2005 Tagge ..... A61B 17/00234  
 606/151  
 2007/0166682 A1 \* 7/2007 Yarin ..... G09B 23/285  
 434/267  
 2008/0076101 A1 \* 3/2008 Hyde ..... G09B 23/30  
 434/272  
 2012/0164616 A1 6/2012 Endo et al.  
 2014/0093852 A1 \* 4/2014 Poulsen ..... G09B 23/285  
 434/262  
 2014/0272873 A1 9/2014 Svensson et al.  
 2016/0140876 A1 \* 5/2016 Jabbour ..... G09B 23/285  
 434/262  
 2016/0240106 A1 \* 8/2016 Slanda ..... G09B 23/285  
 2017/0278429 A1 \* 9/2017 Slanda ..... G09B 23/286

\* cited by examiner

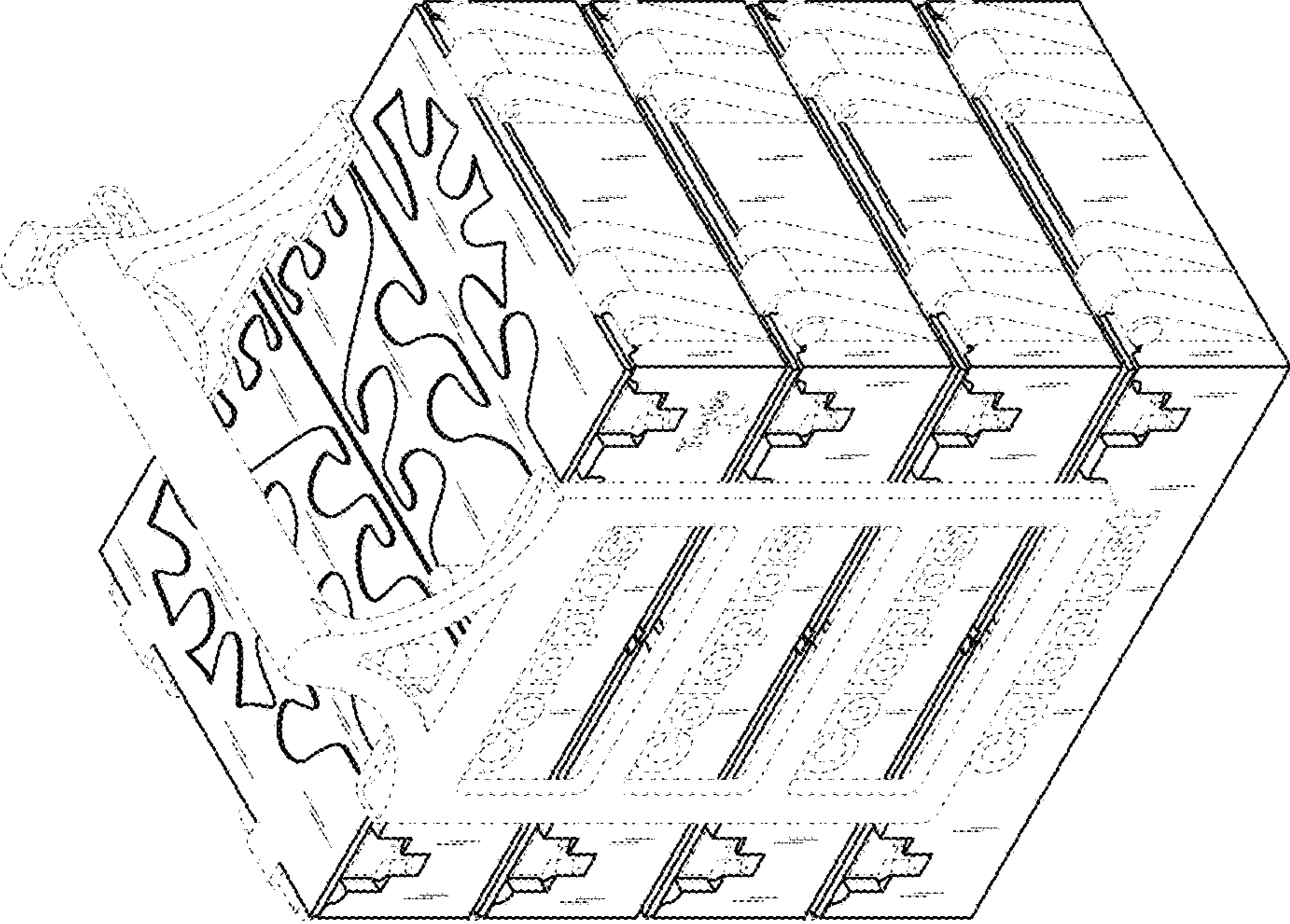


Fig. 1

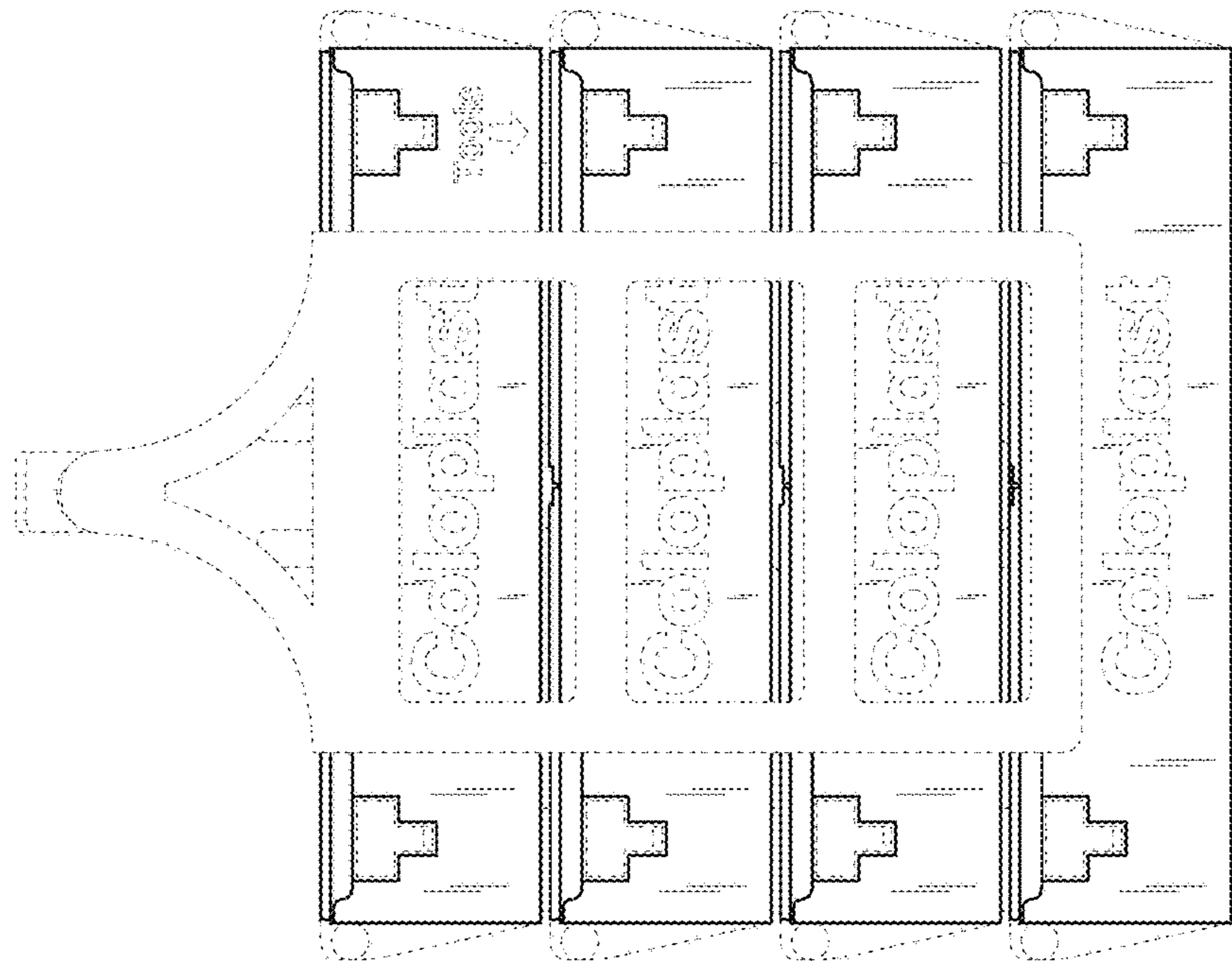


Fig. 2

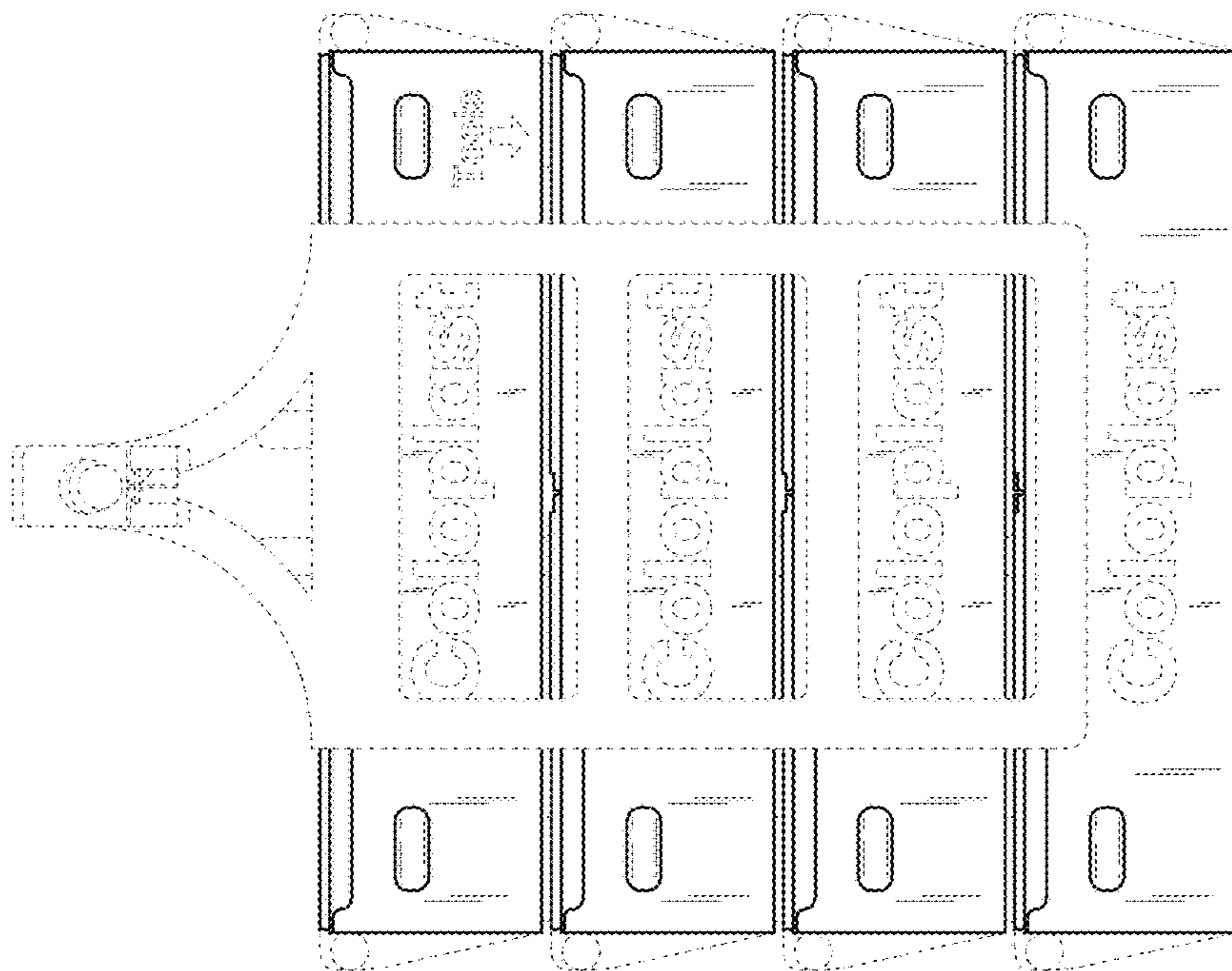


Fig. 3

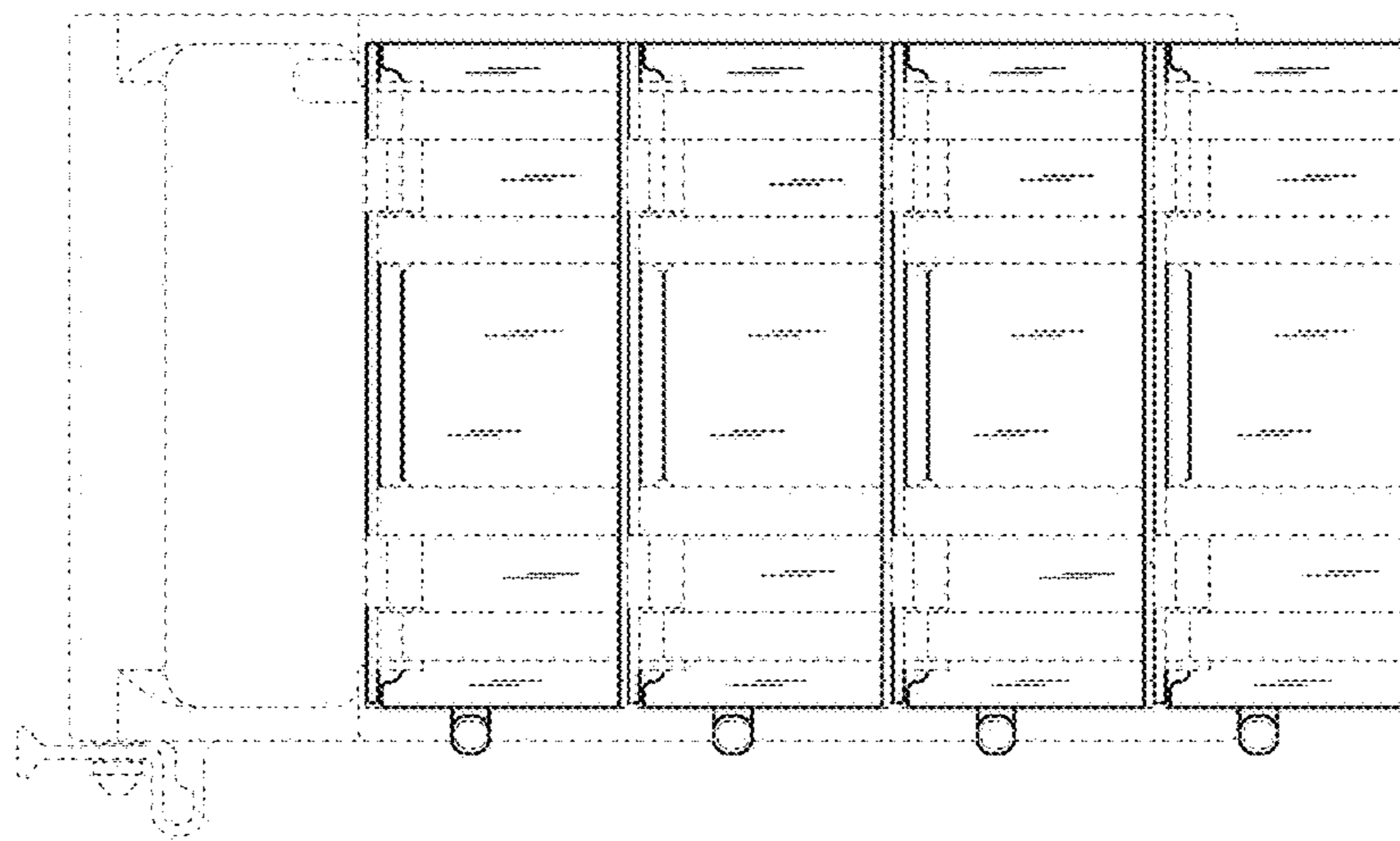


Fig. 4

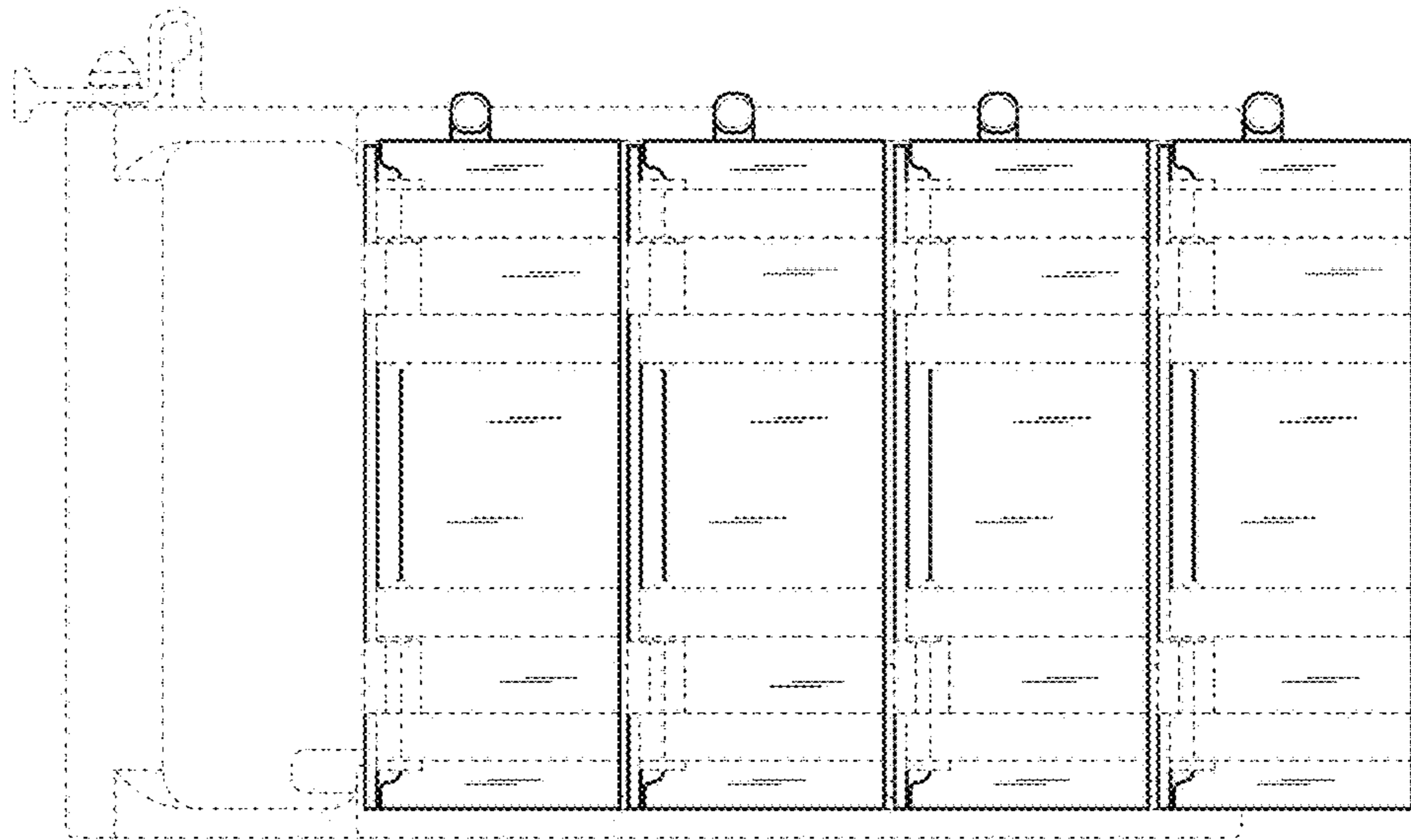


Fig. 5

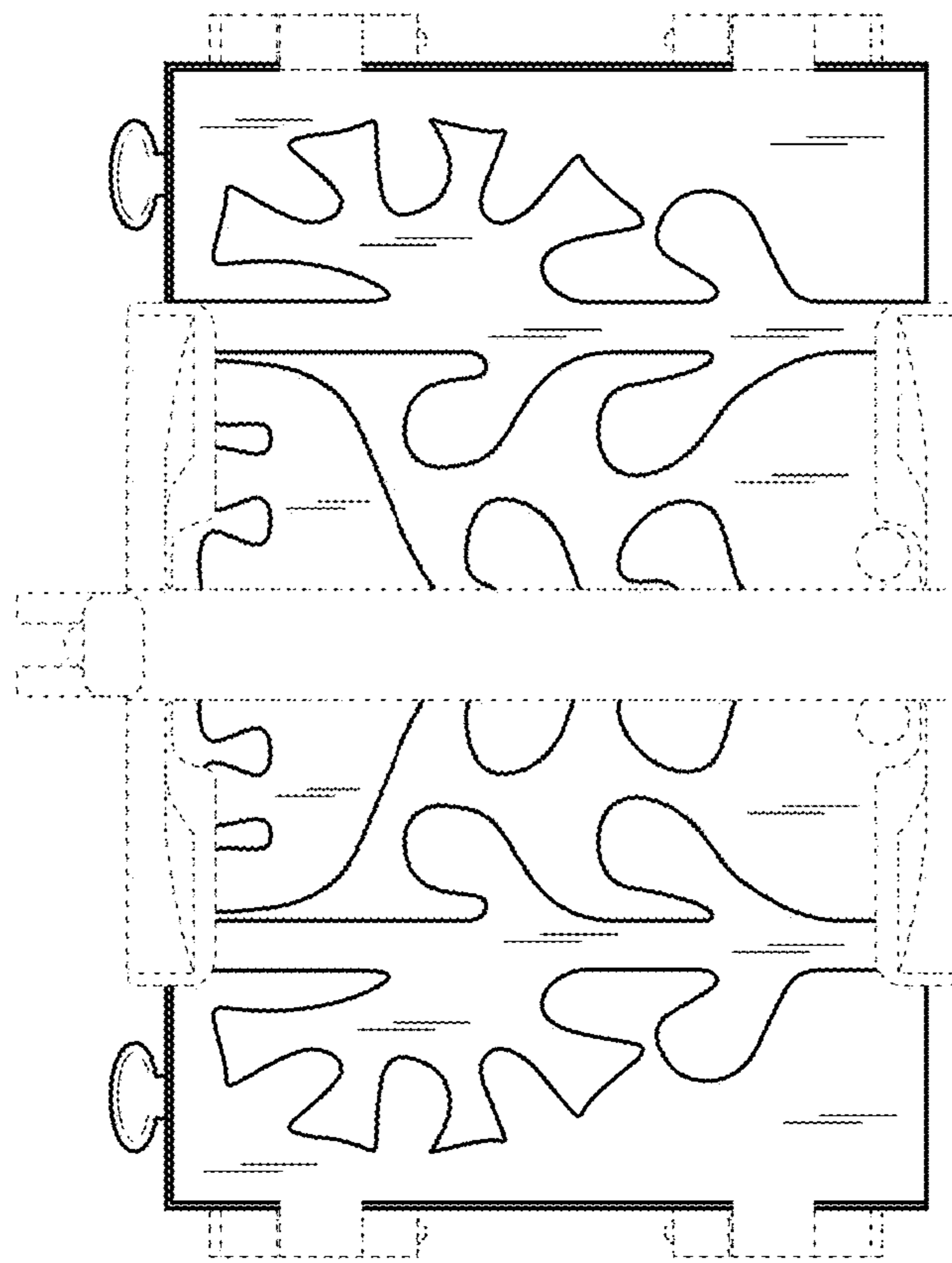


Fig. 6



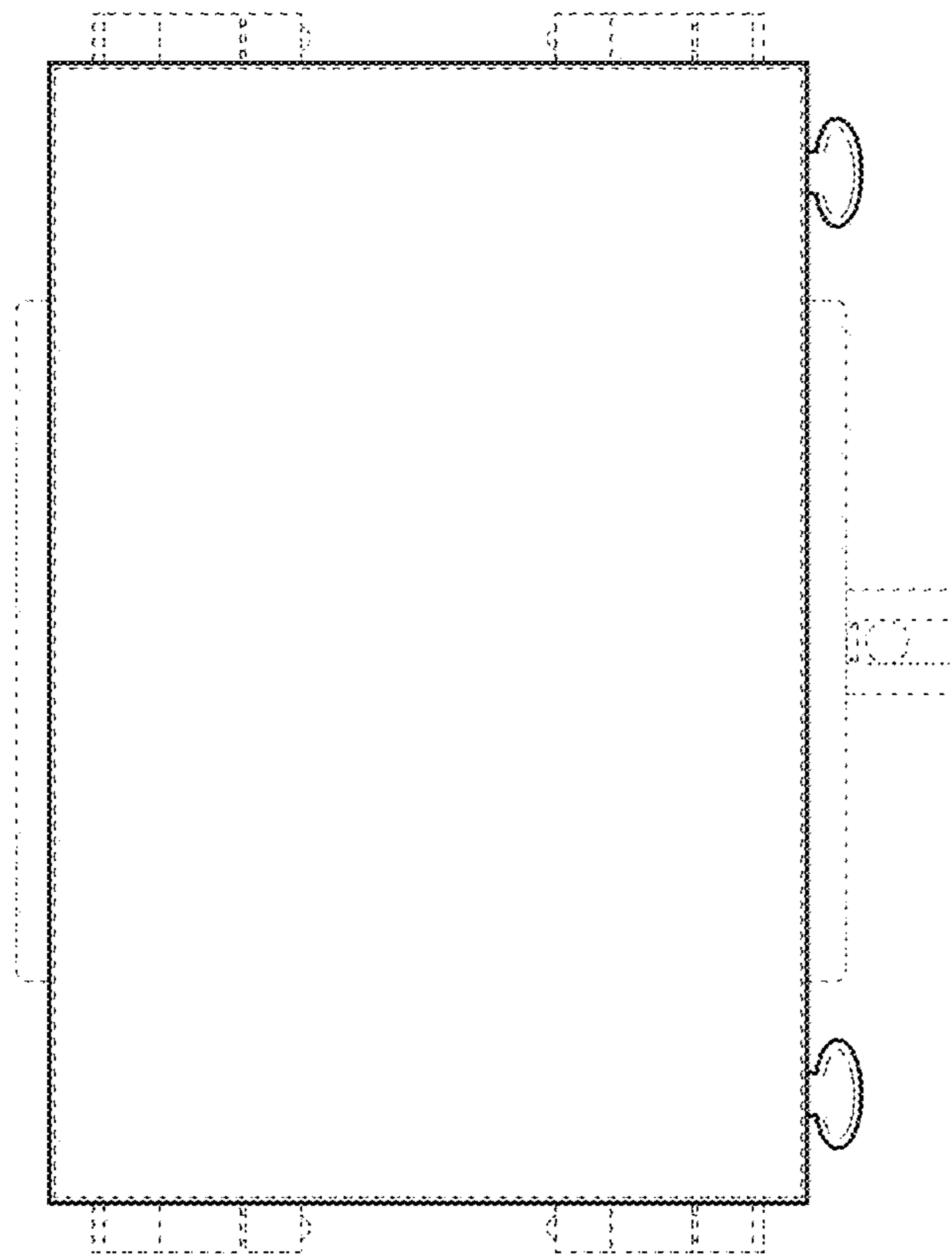


Fig. 7