

US00D869552S

(12) **United States Design Patent**  
**Sheng et al.**

(10) **Patent No.:** **US D869,552 S**  
(45) **Date of Patent:** **\*\* Dec. 10, 2019**

(54) **PANEL FOR MULTI-FUNCTION PRINTER**

FOREIGN PATENT DOCUMENTS

(71) Applicant: **AVISION INC.**, Hsinchu (TW)

JP D1288006 12/2006  
JP D1559209 7/2018

(72) Inventors: **Shao-Lan Sheng**, Hsinchu (TW);  
**Chao-Yu Peng**, Hsinchu (TW)

\* cited by examiner

(73) Assignee: **AVISION INC.**, Hsinchu (TW)

*Primary Examiner* — Barbara Fox

*Assistant Examiner* — J. Thorn, Sr.

(\*\*) Term: **15 Years**

(74) *Attorney, Agent, or Firm* — Winston Hsu

(21) Appl. No.: **29/665,502**

(57) **CLAIM**

(22) Filed: **Oct. 4, 2018**

The ornamental design for a panel for multi-function printer, as shown and described.

(30) **Foreign Application Priority Data**

**DESCRIPTION**

Sep. 7, 2018 (TW) ..... 107305344

(51) **LOC (12) Cl.** ..... **14-02**

(52) **U.S. Cl.**  
USPC ..... **D18/56**; D18/50

(58) **Field of Classification Search**  
USPC ..... D18/50, 56, 40  
CPC ..... G06K 15/12; G06K 15/14; B41J 15/12;  
B41J 15/042; B41J 11/58  
See application file for complete search history.

FIG. 1 is a front, top, and right side perspective view of a panel for multi-function printer showing our new design; FIG. 2 is a rear, bottom, and left side perspective view thereof;

FIG. 3 is a front elevation view thereof;

FIG. 4 is a rear elevation view thereof;

FIG. 5 is a left side elevation view thereof;

FIG. 6 is a right side elevation view thereof;

FIG. 7 is a top plan view thereof; and

FIG. 8 is a bottom plan view thereof; and,

FIG. 9 is a front, top, and right side perspective view of the panel for multi-function printer, showing it in an example environment.

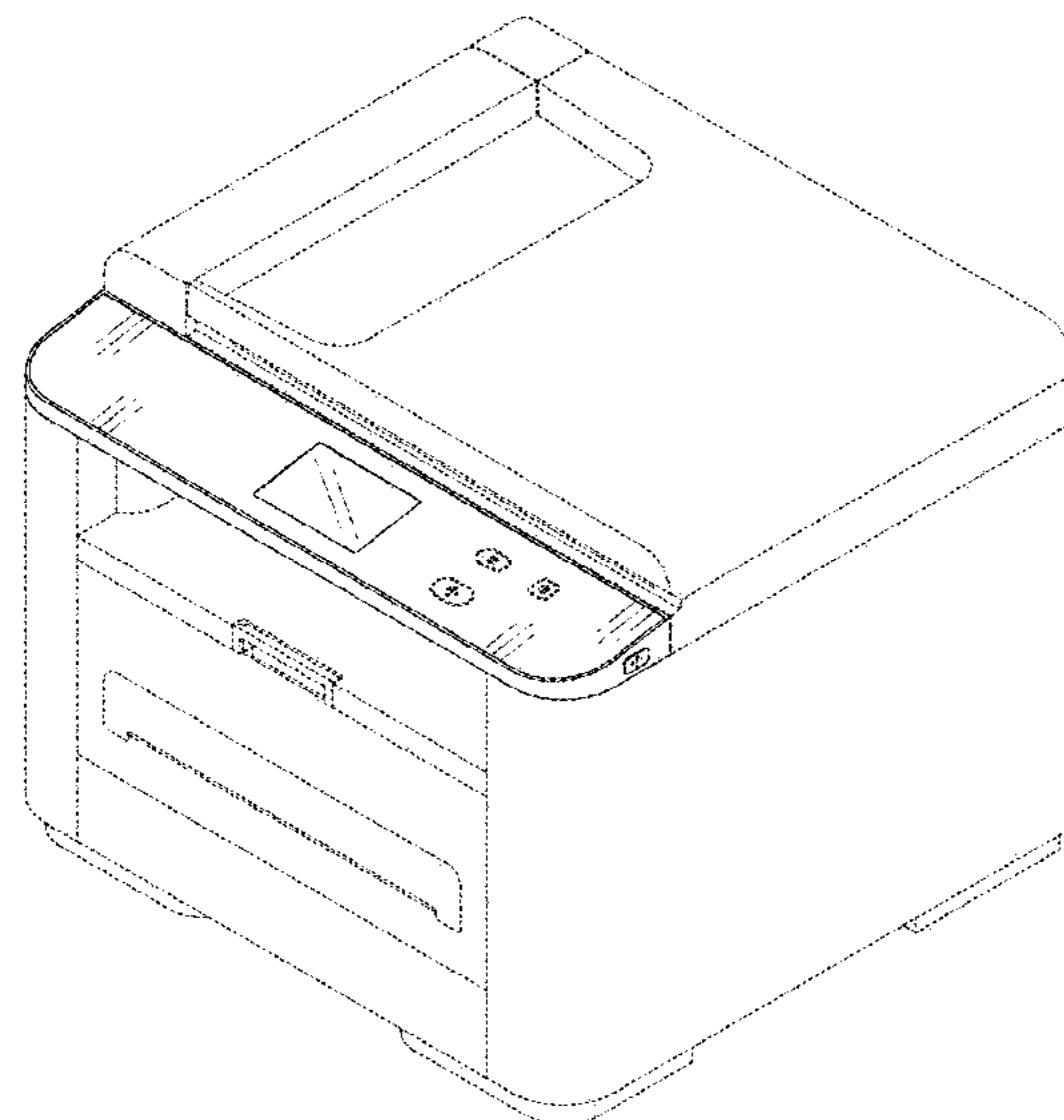
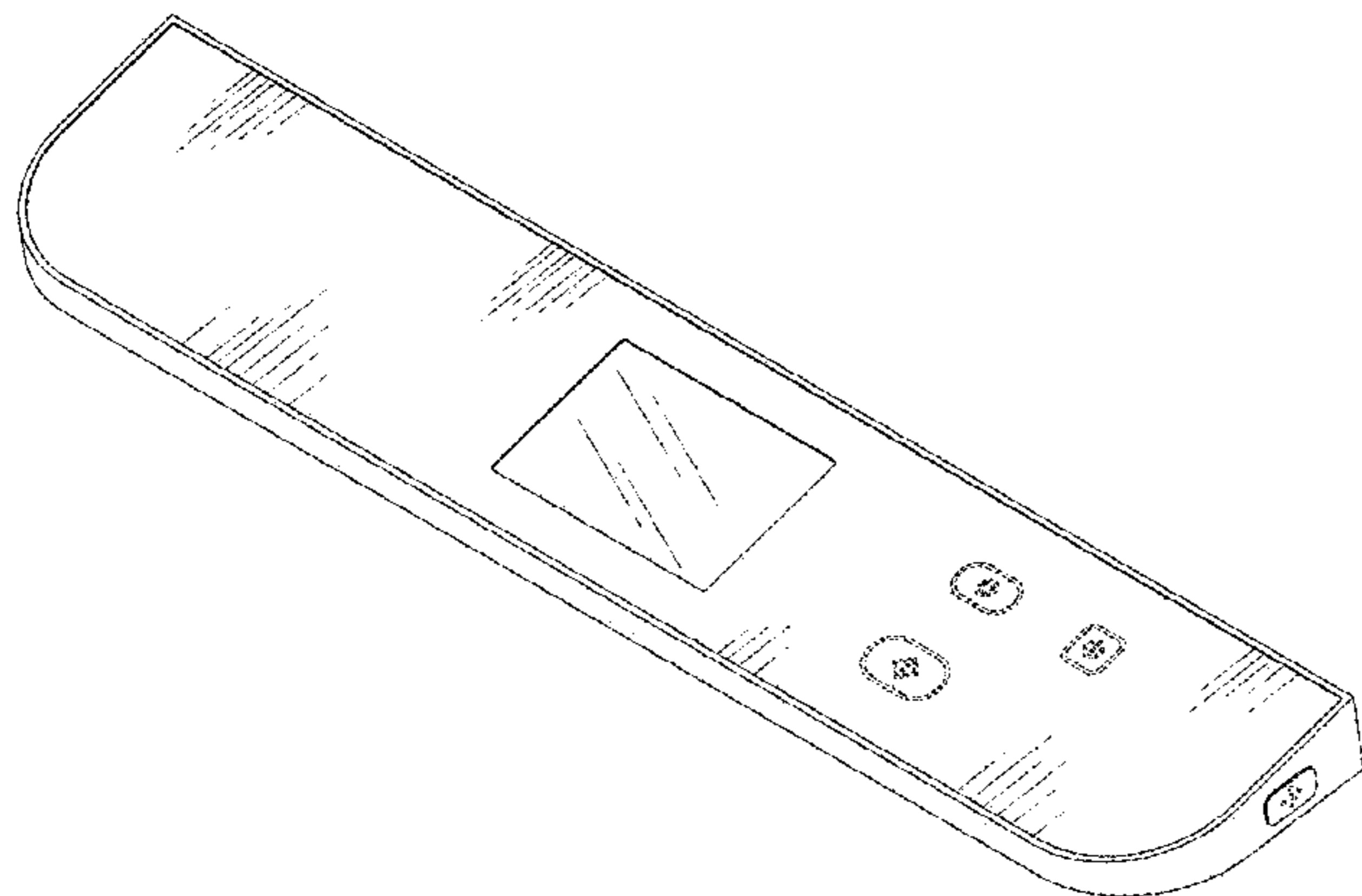
The broken line showing of the printer in FIG. 9 depicts environment. The remaining broken lines depict portions of the panel for multi-function printer. The broken lines from no part of the claimed design.

(56) **References Cited**

U.S. PATENT DOCUMENTS

D809,592 S \* 2/2018 Tashima ..... D18/50  
D815,684 S \* 4/2018 Tashima ..... D18/50  
D818,528 S \* 5/2018 Tashima ..... D18/50  
D823,939 S \* 7/2018 Inada ..... D18/50  
2015/0146251 A1 \* 5/2015 Ueyama ..... G06K 15/12  
358/1.15

**1 Claim, 6 Drawing Sheets**



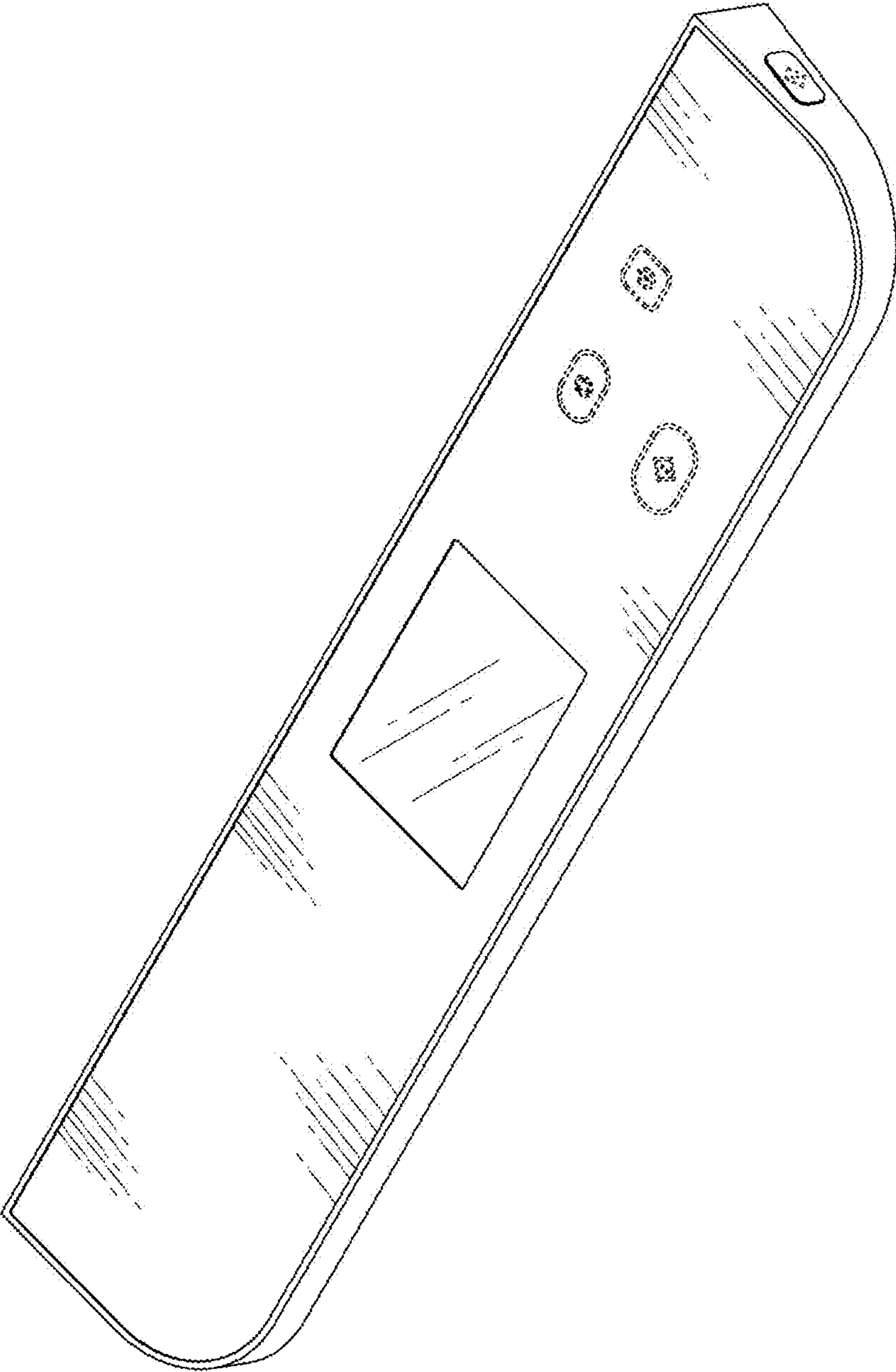


FIG. 1

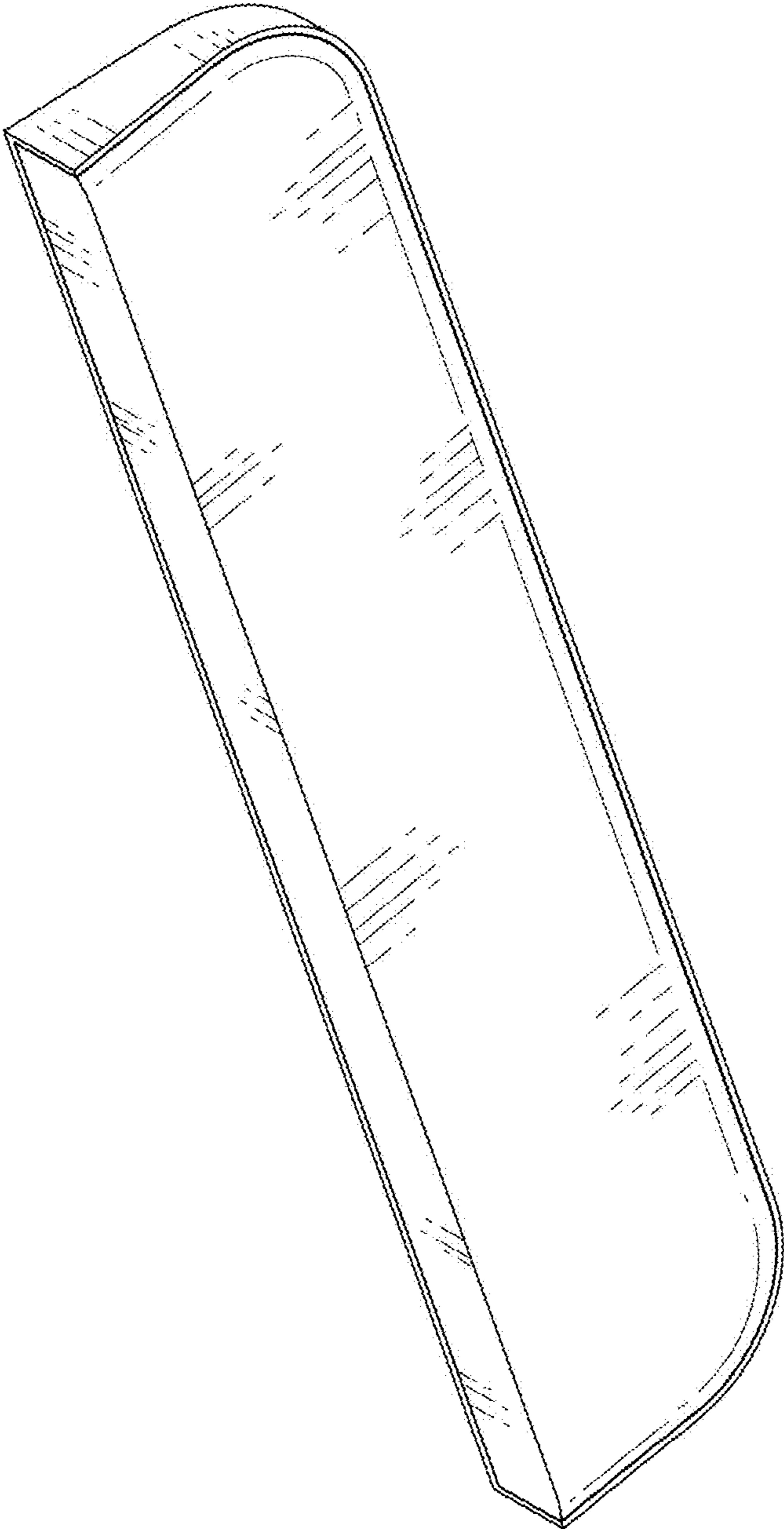


FIG. 2

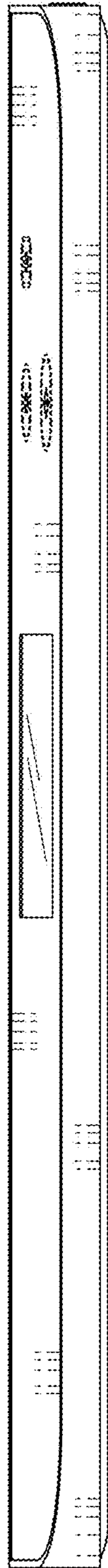


FIG. 3

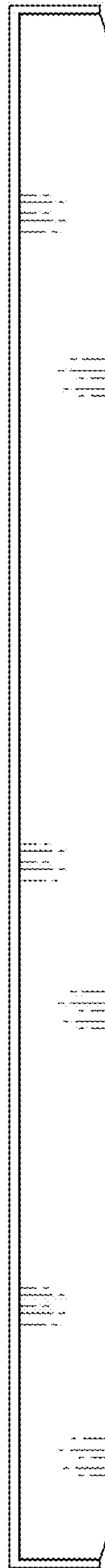


FIG. 4

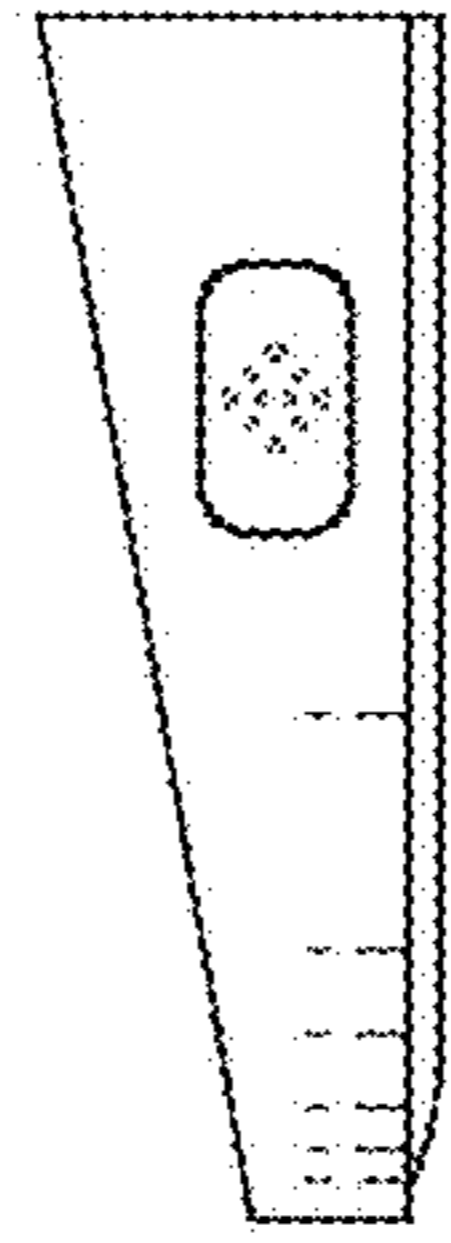


FIG. 6



FIG. 5



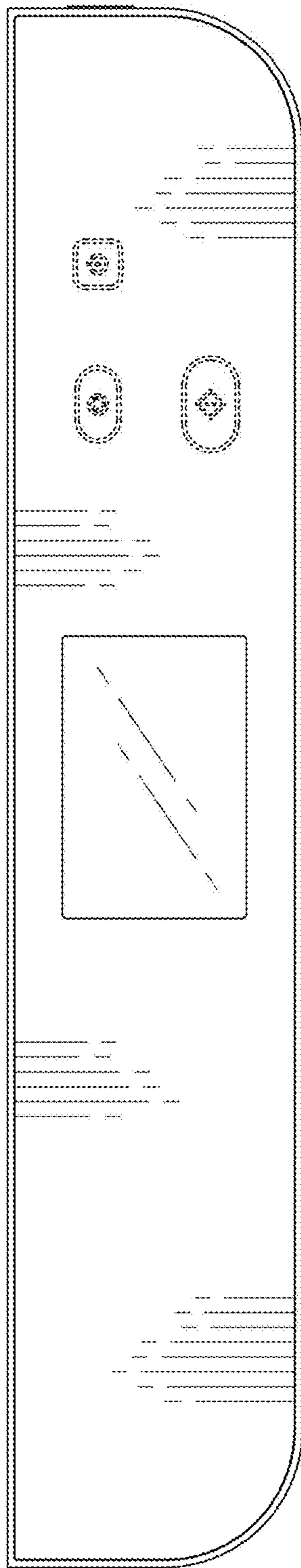


FIG. 7

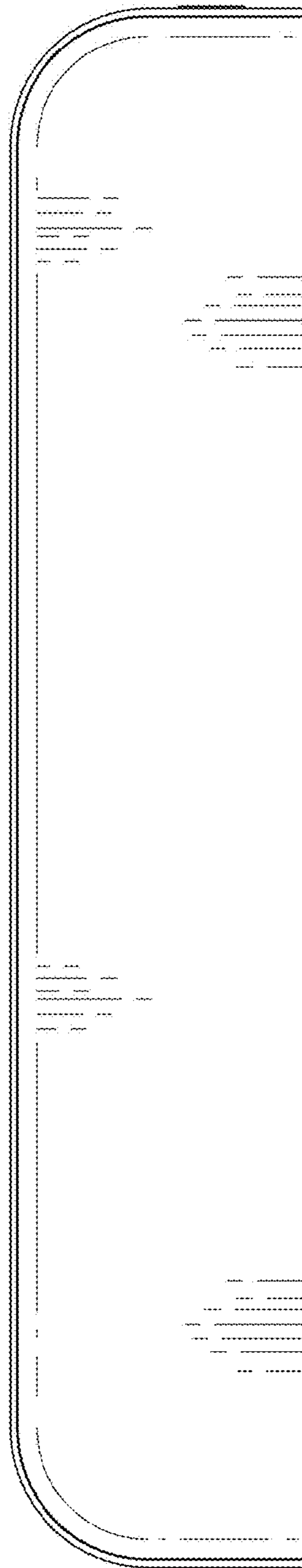


FIG. 8

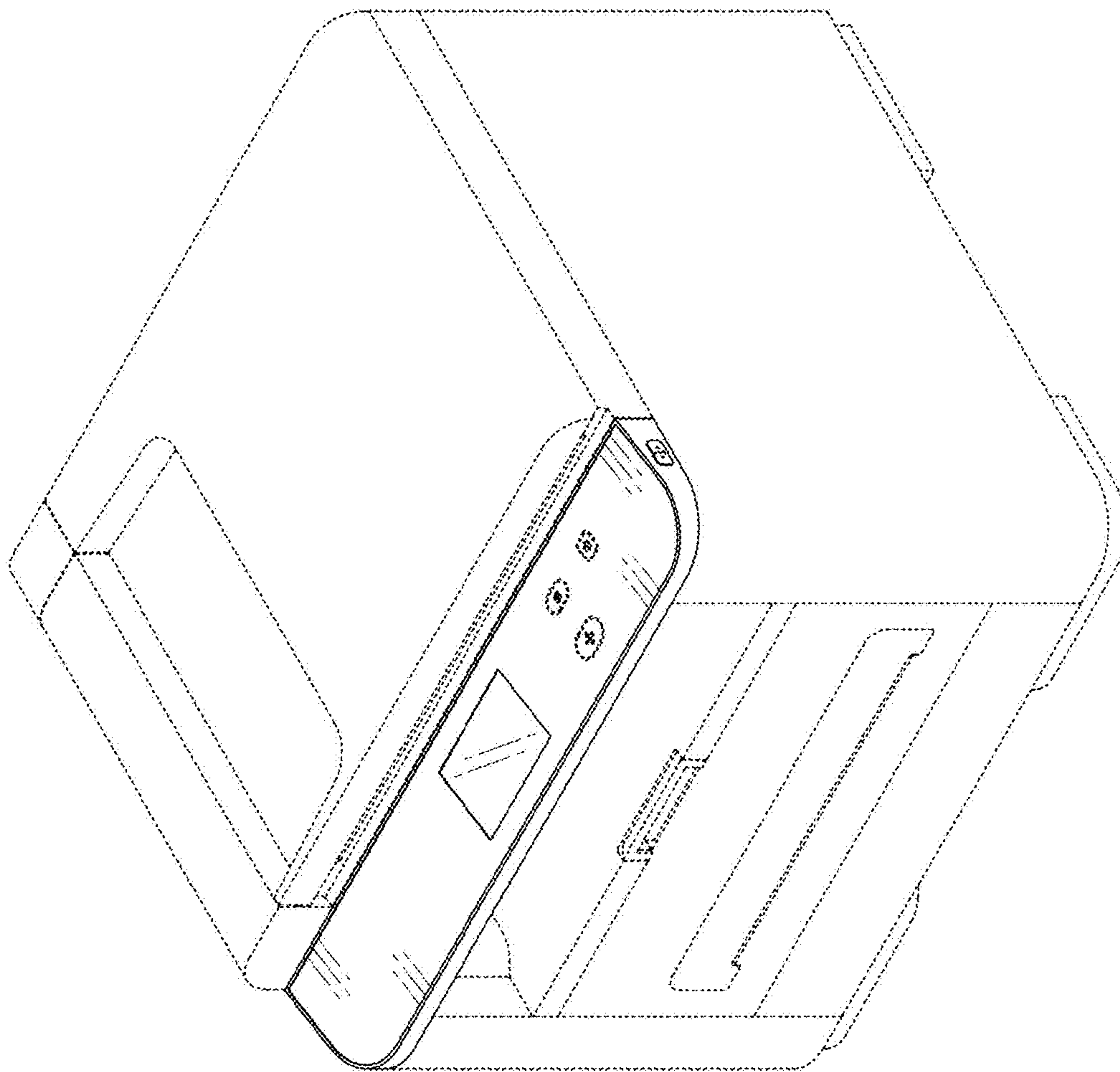


FIG. 9