



US00D869550S

(12) **United States Design Patent** (10) **Patent No.:** **US D869,550 S**
Yoshii et al. (45) **Date of Patent:** **** Dec. 10, 2019**

(54) **NOZZLE CAP FOR INK BOTTLE FOR PRINTER**

CPC G03G 15/0868; G03G 15/0886; G03G 15/0872; G03G 2215/0668; B65D 2231/005; B65D 47/241; B65D 83/06

(71) Applicant: **CANON KABUSHIKI KAISHA**, Tokyo (JP)

See application file for complete search history.

(72) Inventors: **Kazuya Yoshii**, Tokyo (JP); **Yasuo Kotaki**, Tokyo (JP); **Kenta Udagawa**, Tokyo (JP); **Hiroshi Koshikawa**, Tokyo (JP); **Wataru Takahashi**, Tokyo (JP); **Koichi Kubo**, Tokyo (JP); **Shigeki Fukui**, Tokyo (JP); **Naozumi Nabeshima**, Tokyo (JP); **Soji Kondo**, Tokyo (JP); **Tatsuo Nanjo**, Tokyo (JP); **Norihiro Ikebe**, Tokyo (JP); **Kenichi Kanno**, Tokyo (JP); **Keiichiro Tsukuda**, Tokyo (JP); **Hiroki Nakanishi**, Tokyo (JP)

(56) **References Cited**

U.S. PATENT DOCUMENTS

D277,736 S * 2/1985 Long D9/443
D461,502 S * 8/2002 Horie D19/66
D611,531 S 3/2010 Hatasa et al.
D611,532 S 3/2010 Nanjo et al.
(Continued)

OTHER PUBLICATIONS

Design U.S. Appl. No. 29/540,328, to Murakami et al., filed Sep. 23, 2015.

(Continued)

Primary Examiner — Jennifer L Watkins

(74) *Attorney, Agent, or Firm* — Venable LLP

(73) Assignee: **Canon Kabushiki Kaisha**, Tokyo (JP)

(**) Term: **15 Years**

(21) Appl. No.: **29/628,450**

(22) Filed: **Dec. 5, 2017**

Related U.S. Application Data

(62) Division of application No. 35/501,785, filed on Apr. 25, 2016 (U.S. filing date under 35 U.S.C. 384), and having an international filing date of Apr. 25, 2016, now Pat. No. Des. 816,158.

Foreign Application Priority Data

(30) Oct. 29, 2015 (JP) 2015-024017
Oct. 29, 2015 (JP) 2015024013
Oct. 29, 2015 (JP) 2015024014

(51) **LOC (12) Cl.** **18-02**

(52) **U.S. Cl.**
USPC **D18/56**

(58) **Field of Classification Search**
USPC D18/40, 43, 56, 50; D14/471; D9/443, D9/529, 552

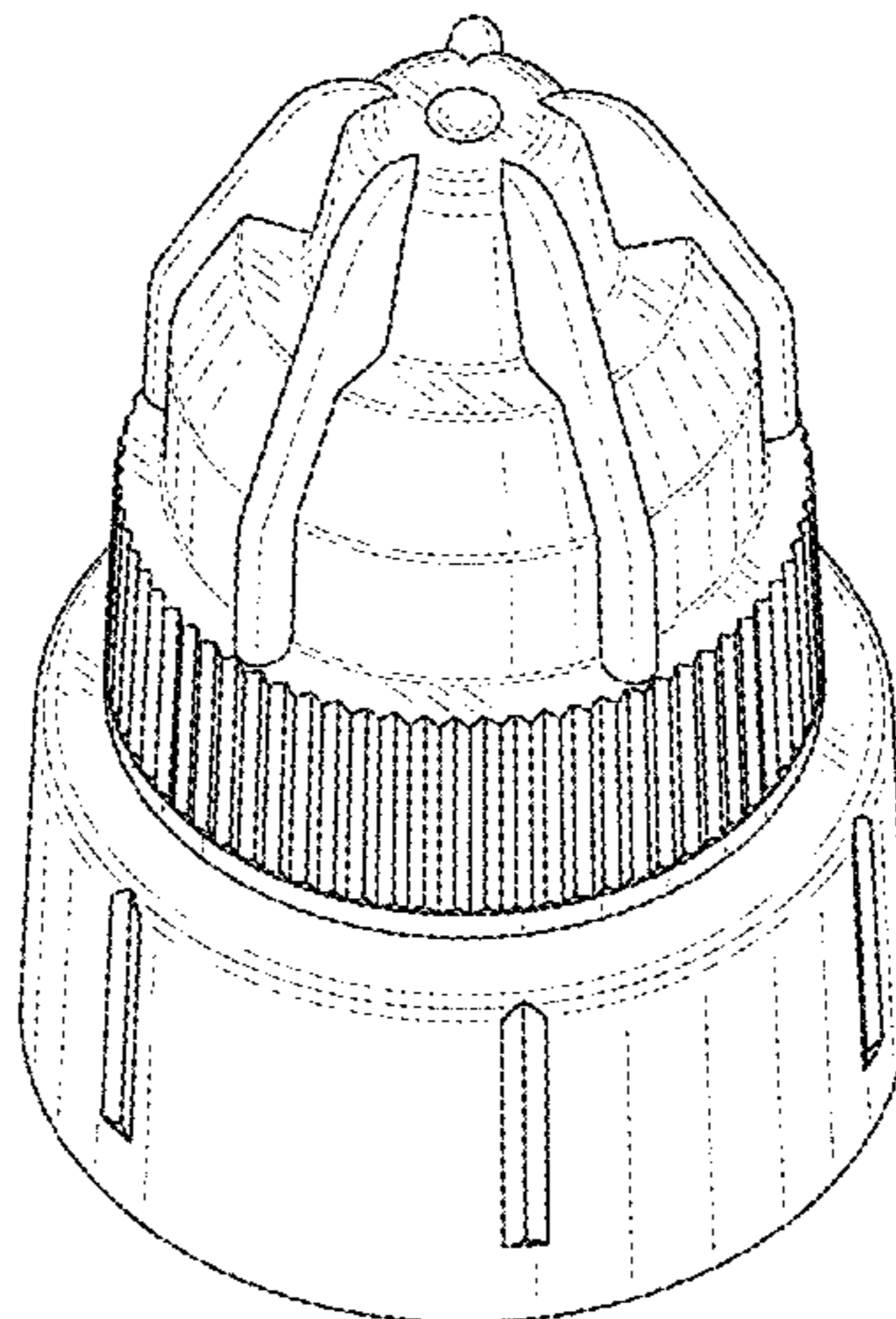
(57) **CLAIM**

The ornamental design for a nozzle cap for ink bottle for printer, as shown and described.

DESCRIPTION

FIG. 1 is a front view of the nozzle cap for ink bottle for printer, shown without the ink bottle;
FIG. 2 is a rear view thereof;
FIG. 3 is a top plan view thereof,
FIG. 4 is a bottom plan view thereof;
FIG. 5 is a left side view thereof,
FIG. 6 is a right side view thereof;
FIG. 7 is a left side perspective view thereof;
FIG. 8 is a right side perspective view thereof; and,
FIG. 9 is a bottom perspective view thereof.

1 Claim, 9 Drawing Sheets



(56)

References Cited

U.S. PATENT DOCUMENTS

D624,960 S	10/2010	Inoue et al.	
D626,173 S	10/2010	Inoue et al.	
D656,183 S	3/2012	Nanjo et al.	
D674,436 S	1/2013	Takada et al.	
D696,718 S	12/2013	Murakami et al.	
D696,719 S	12/2013	Murakami et al.	
D696,720 S	12/2013	Hayashi et al.	
D696,721 S	12/2013	Kitagawa et al.	
D699,284 S	2/2014	Nanjo et al.	
D732,389 S *	6/2015	Nickel	D9/453
9,090,450 B2 *	7/2015	Reimann	B67D 7/34
D767,672 S	9/2016	Nanjo et al.	
D767,673 S	9/2016	Nanjo et al.	
D767,674 S	9/2016	Nanjo et al.	
D767,675 S	9/2016	Nanjo et al.	
D790,624 S *	6/2017	Matsushita	D18/56
D816,158 S *	4/2018	Yoshii	D18/56
D838,171 S *	1/2019	Wood	D9/453

OTHER PUBLICATIONS

Design U.S. Appl. No. 29/562,583, to Inuma, filed Apr. 27, 2016.

* cited by examiner

Fig. 1

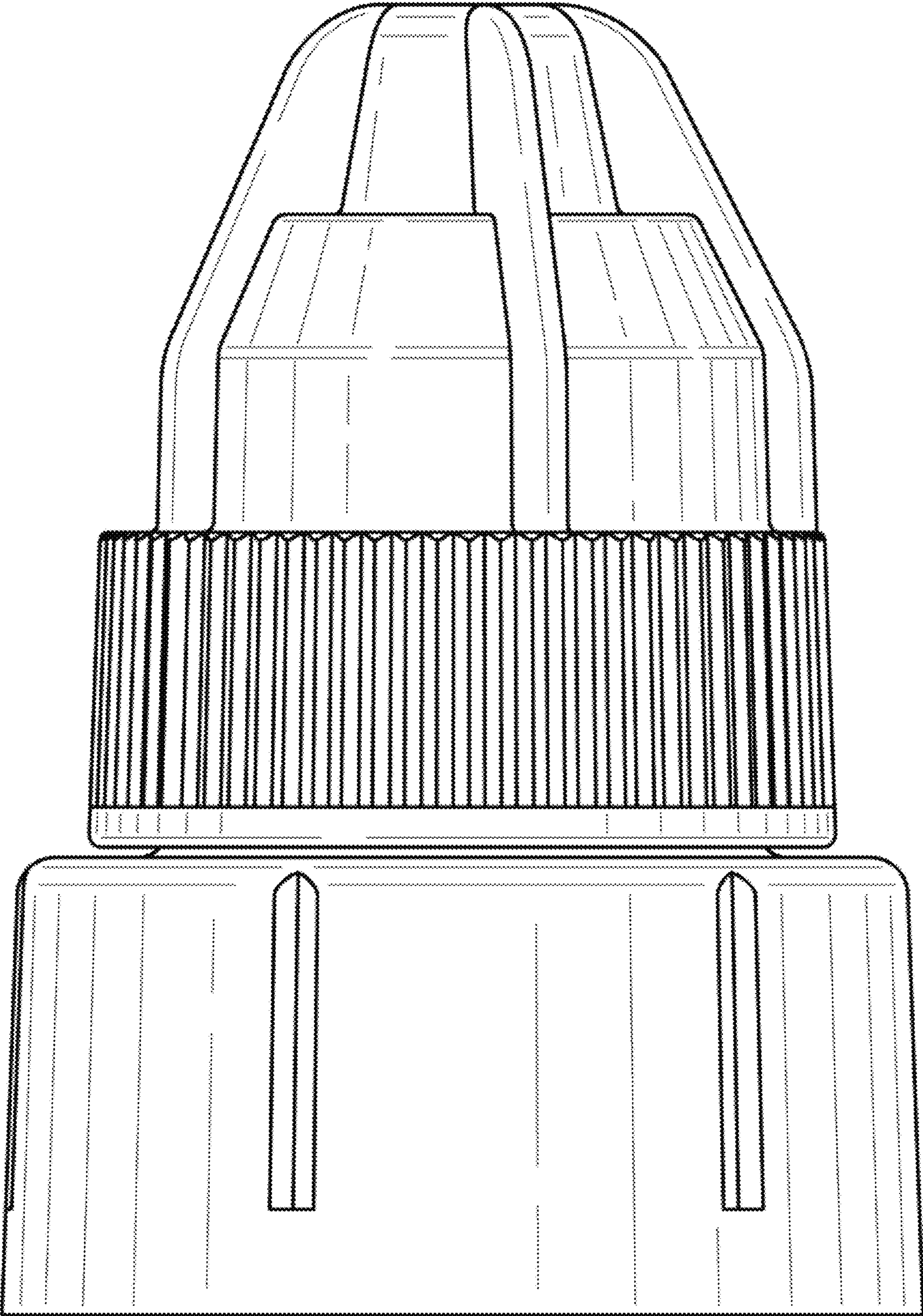


Fig. 2

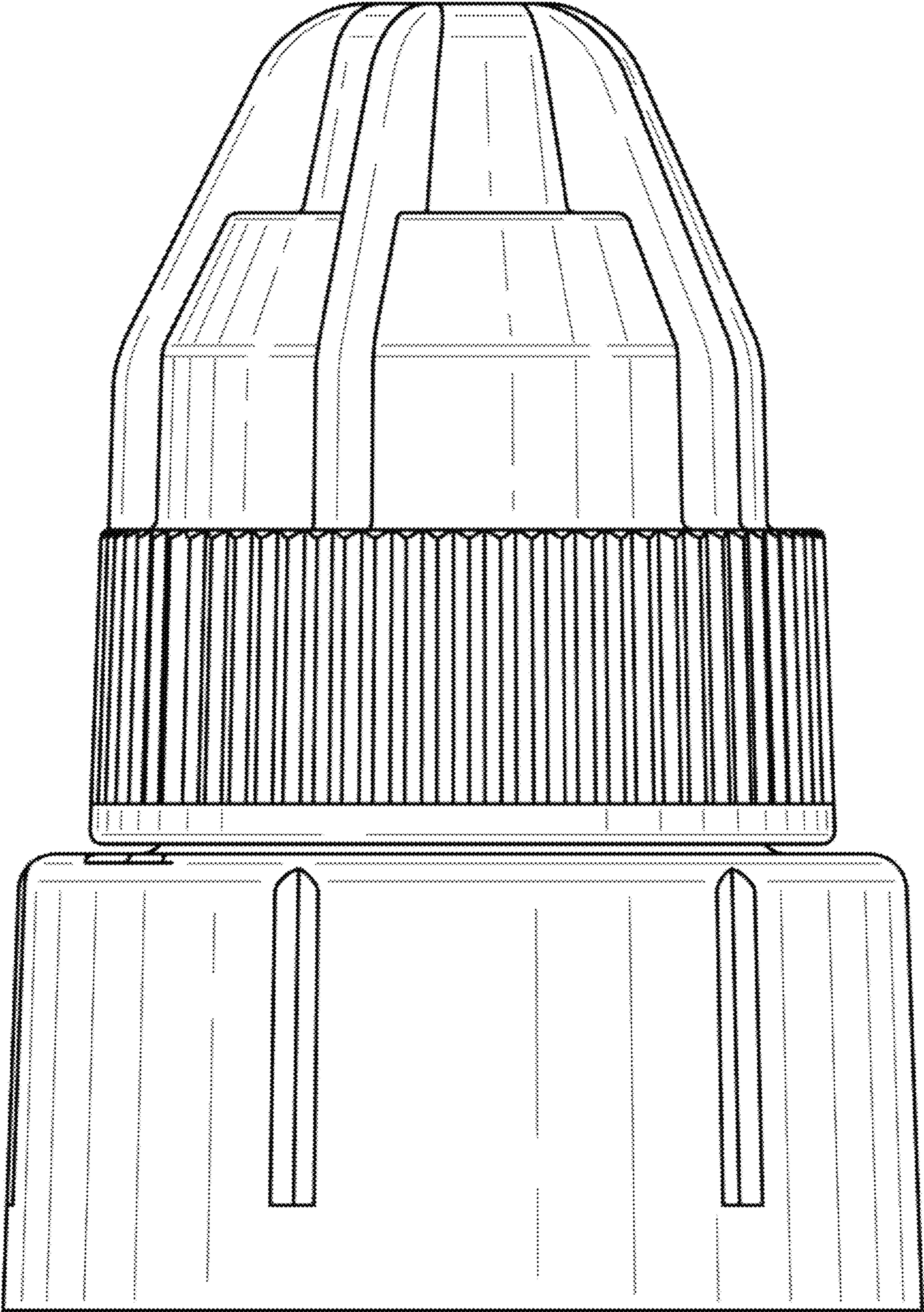


Fig. 3

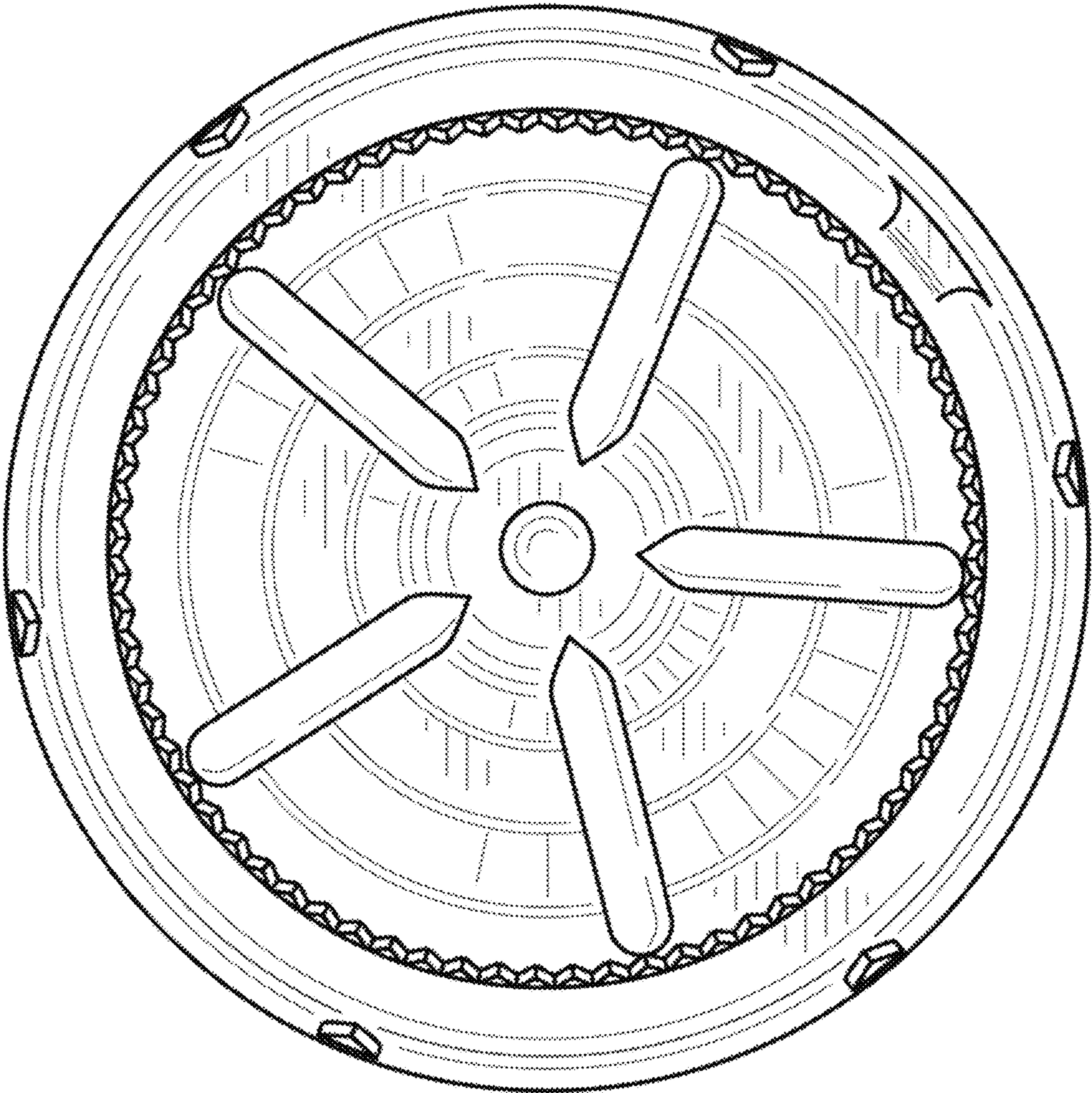


Fig. 4

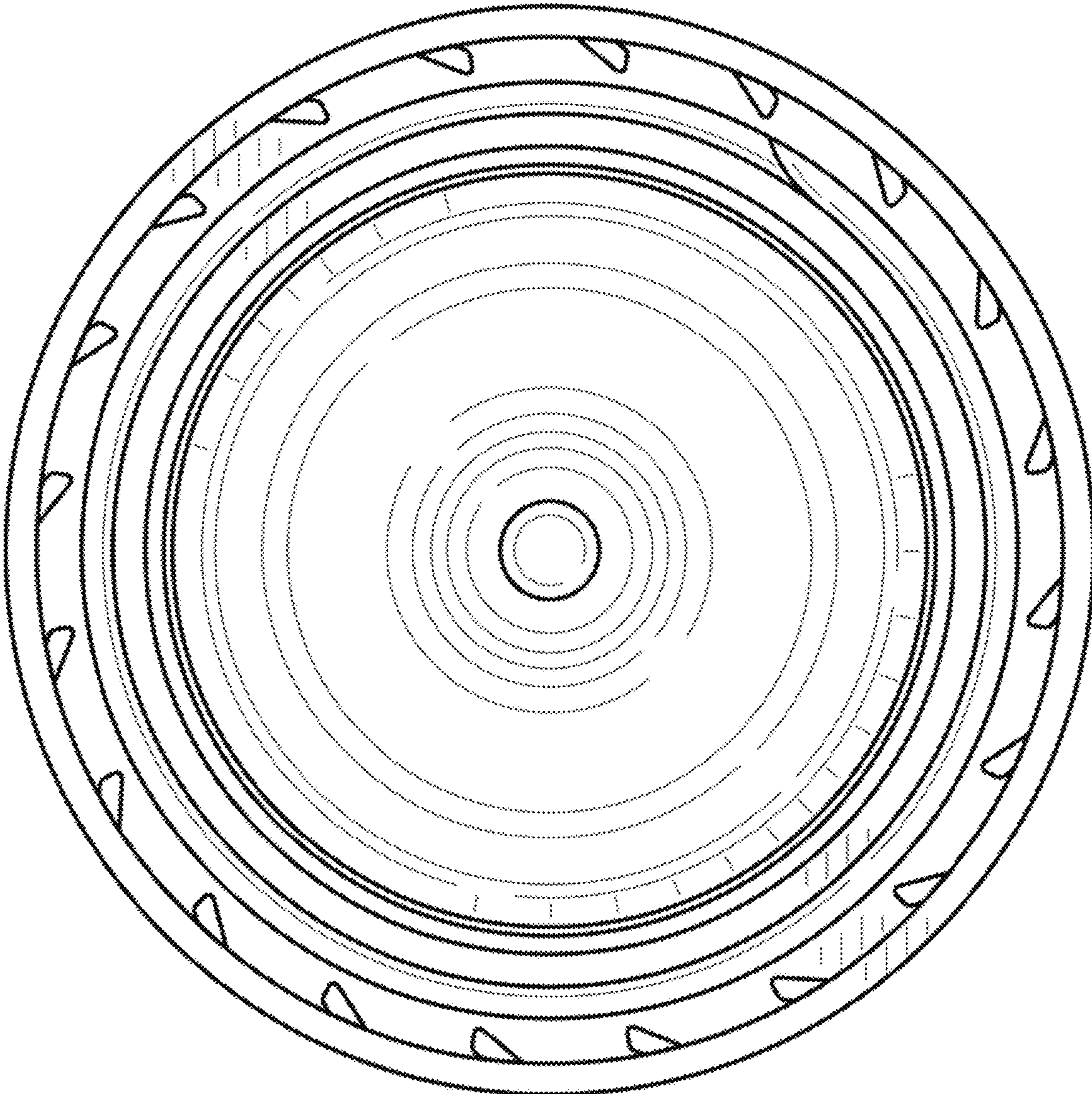


Fig. 5

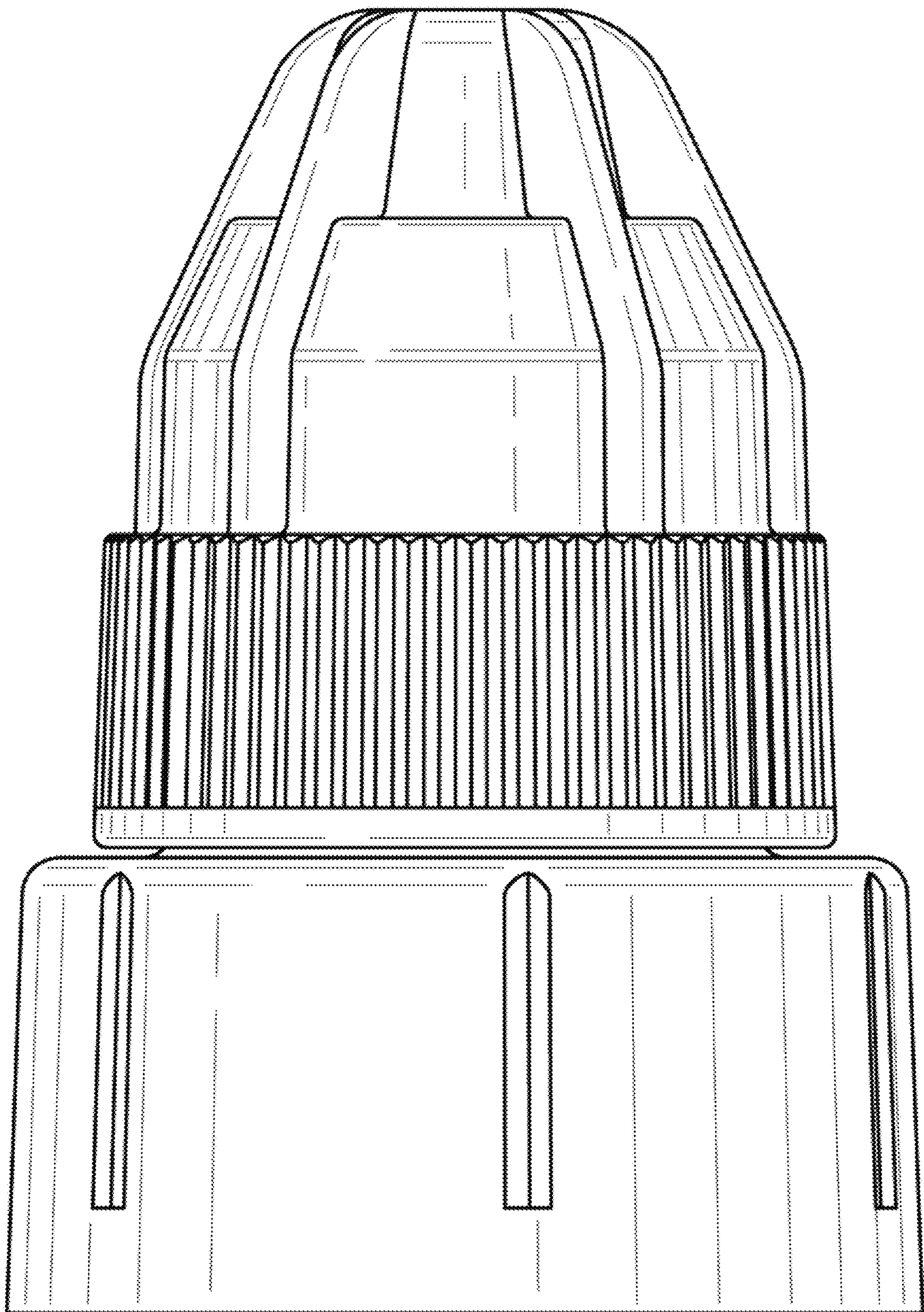


Fig. 6

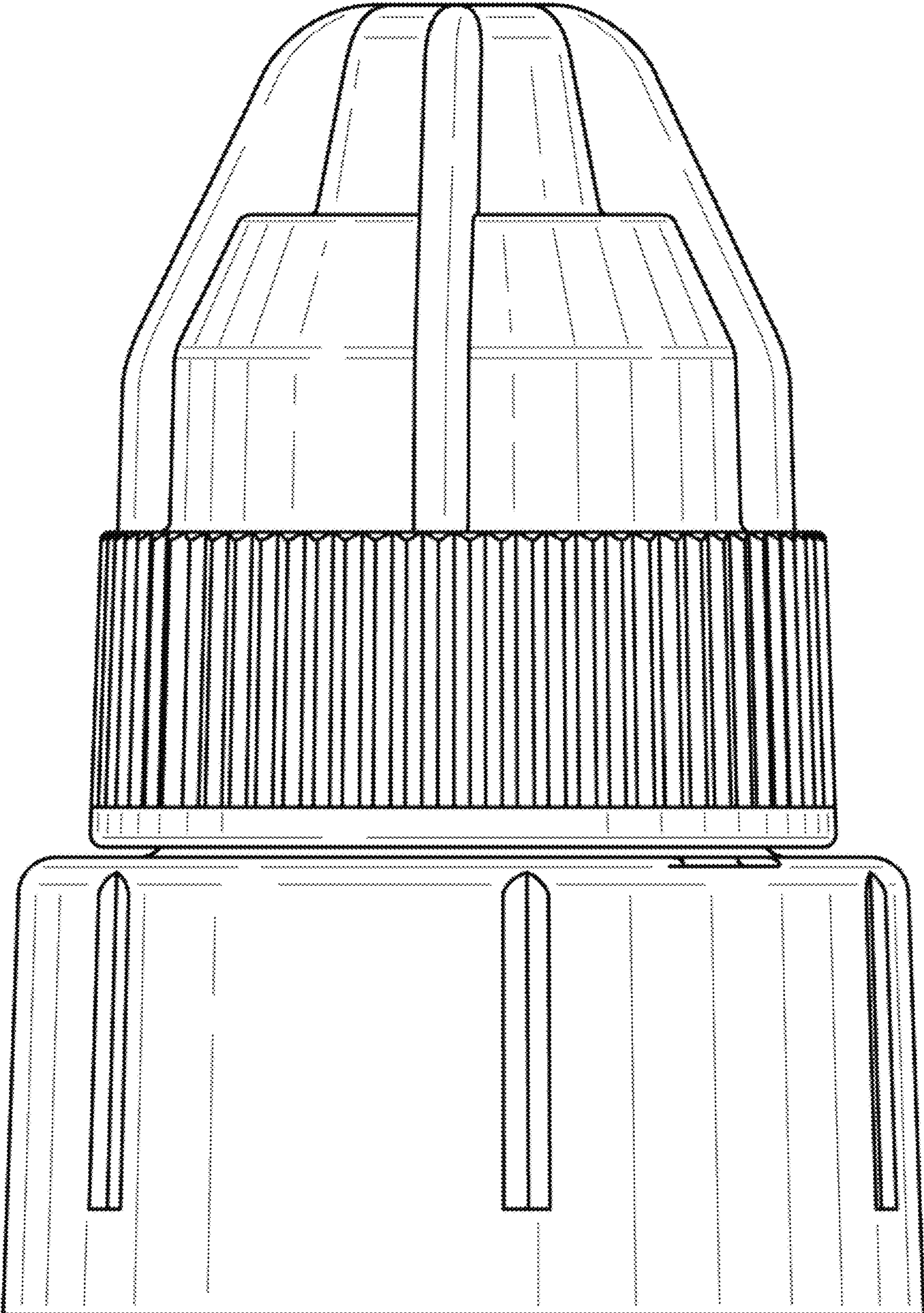


Fig. 7

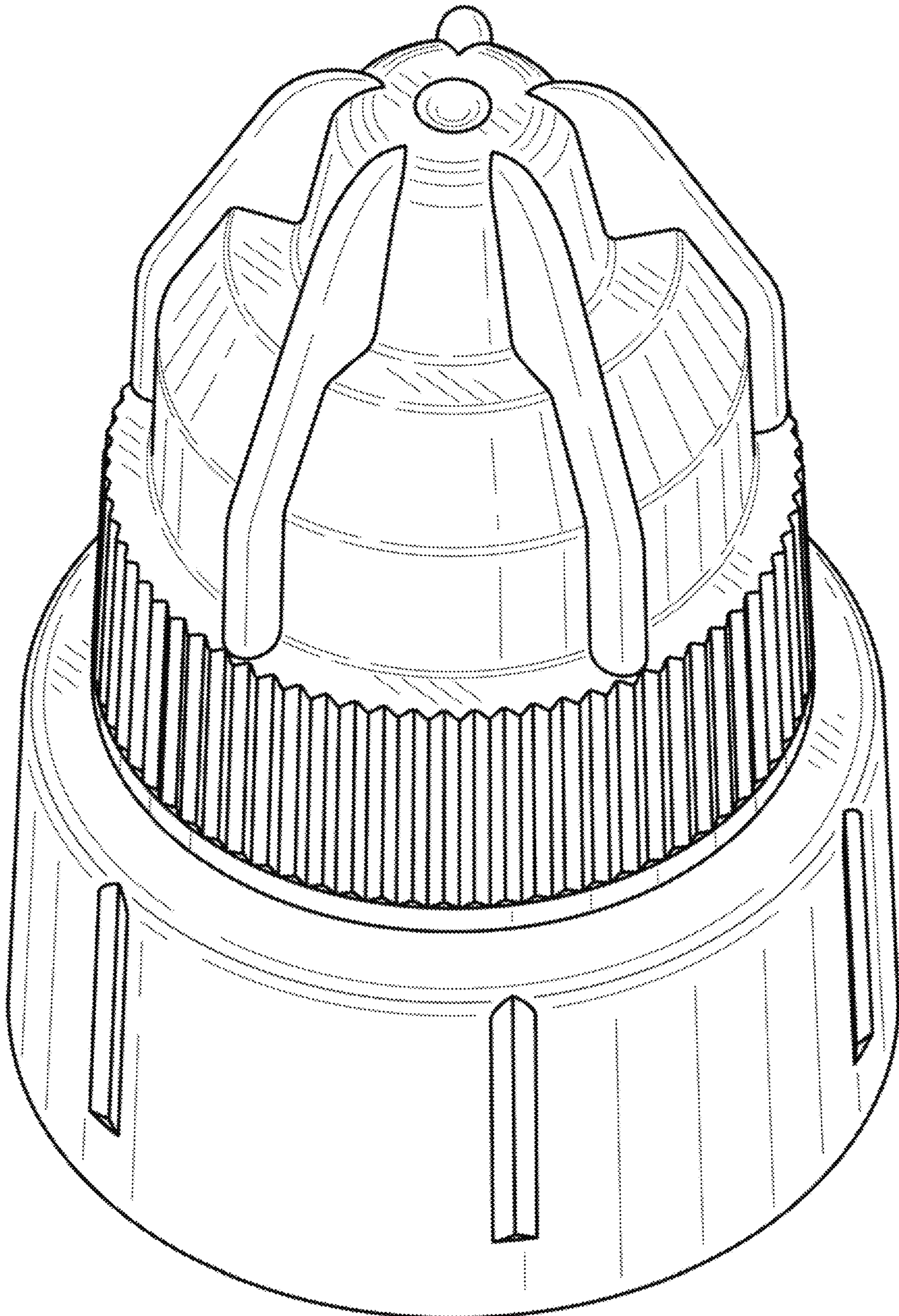


Fig. 8

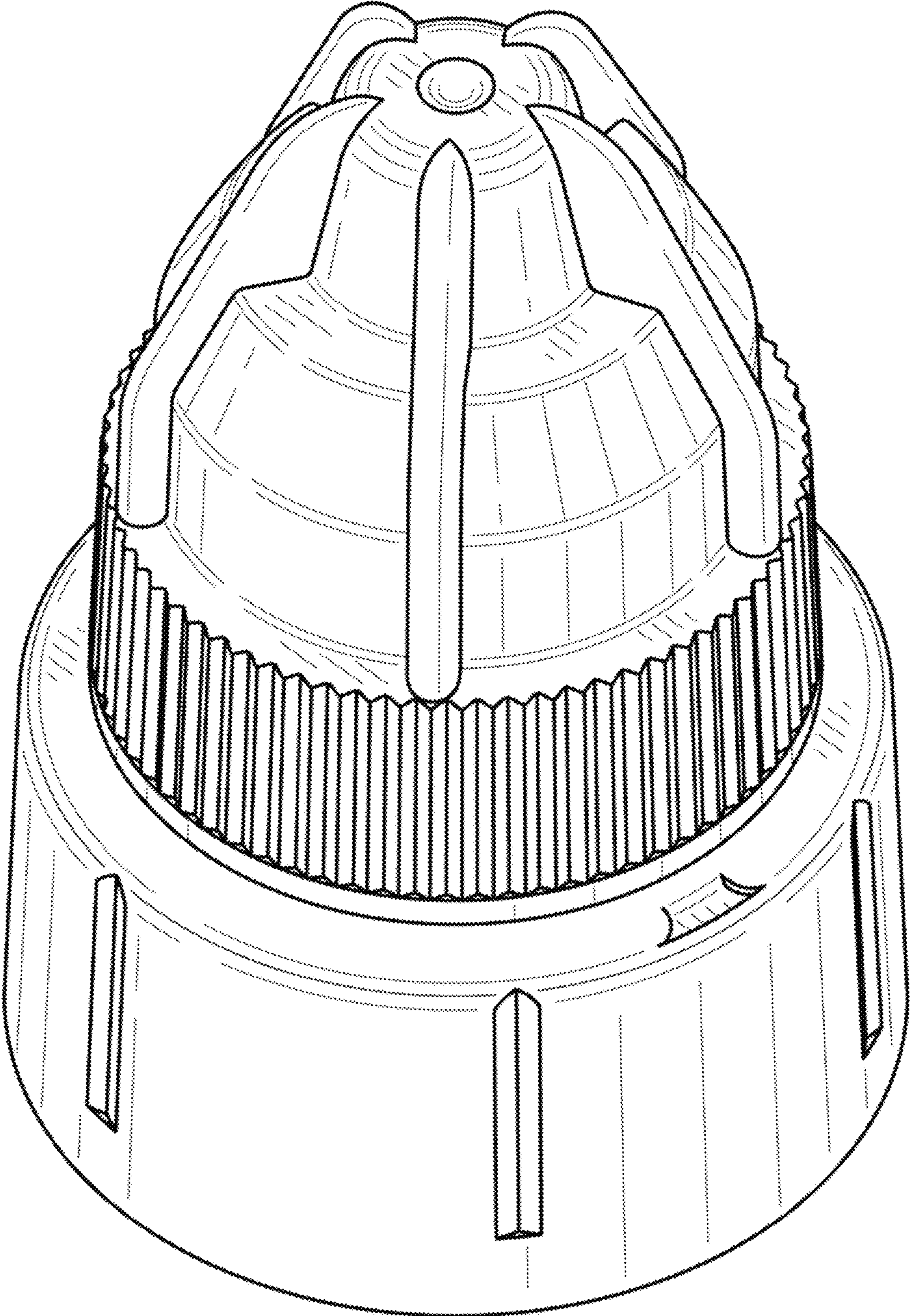


Fig. 9

